

MONKEY 50/110 GORILLA 50/110 VEHICLE PARTS

ITEM	PART NO.	DESCRIPTION(EN)	QTY.
FIG.1 CLEANER			
1	13700-15A00	CLENAER ASSY,AIR(ST50-8,ST50-8A)	1
1-1	13700-15G00	CLENAER ASSY,AIR(ST110-8,ST110-8A)	1
2	GB97.1-85 6-140HV-Zn.DC	WASHER	1
3	GB5783-86 M6×12-Zn.DC	BOLT	1

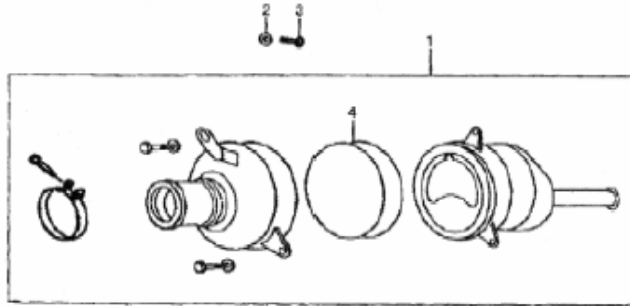


FIG.2 MUFFLER			
2	14300-15A00	MUFFLER ASSY(ST50-8,ST50-8A) with catalyst converter	1
2-1	14300-15G00	MUFFLER ASSY(ST110-8,ST110-8A) with catalyst converter	1

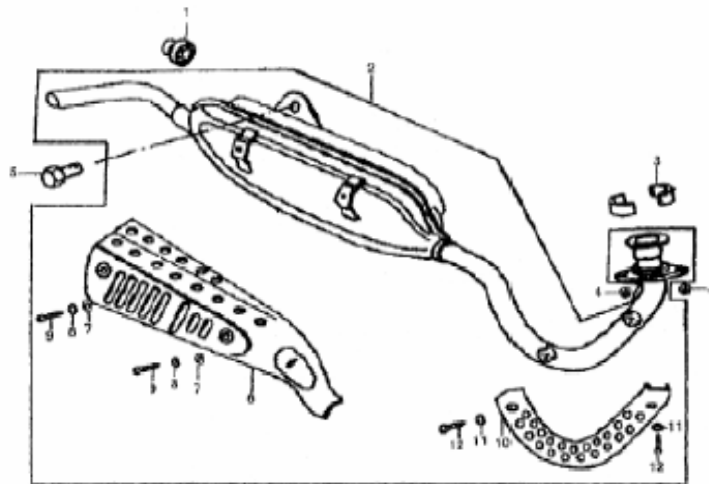


FIG.3 FRAME COVER,ELECTRICAL

1	33400-15A00	IGNITION COIL	1
2	GB6170-86 M6×8-Zn DB	NUT	1
3	32810-15A00	RECTIFIER ASSY	1
4	38620-15A00	RELAY ASSY,TURN SIGNAL	1
5	32900-15A00	CDI UNIT	1
6	33610-15A00	HOLDER BATTERY	1
7	GB5783-86 M6 12-Zn.DC	BOLT	2
8	GB97.1-85 6-140HV-Zn.DC	WASHER	2
9	33610-15A00	BATTERY	1
10	37312-15A00	FUSE	1
11	41520-15A00	BAND BATTERY	1
12	68210-15A00	TAPE	1
12-1	68210-15A10	TAPE	1
13	47211-15A00	SHIELD LH	1
		SHIELD LH(CHROME)	1
14	47221-15A00	SEAL	3
15	38100-15A00	RELAY ASSY,ELEC,START MODEL	1

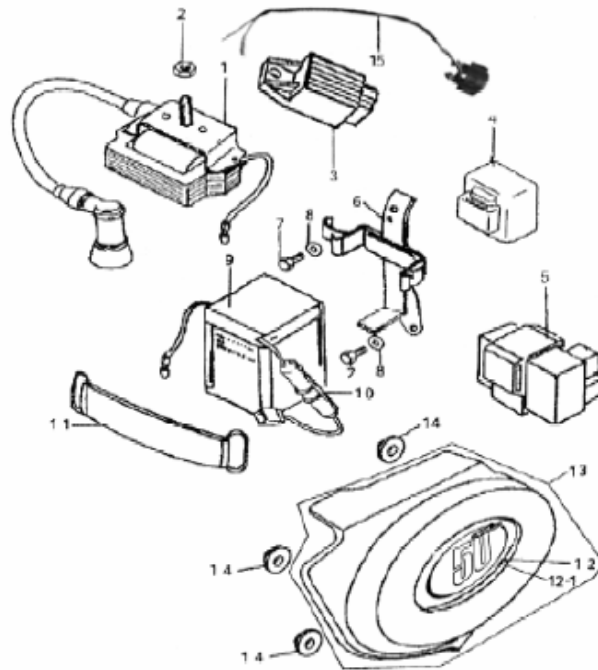


FIG.4 HEADLAMP SPEEDOMETER

1	35100-15A00	HEADLIGHT ASSY(E-MARK)	1
2	35120-15A00	HEADLIGHT(EXPECT THE COVER)	1
10	GB823-88 M414-Zn.DB	SCREW	2
11	GB93-87 4-Y-Zn.DB	SPRING WASHER	2
12	GB97-1-85 4-Zn.DB	WASHER	2
13	GB5785-86 M8×25-Zn.DB	BOLT	2
14	GB93-87 8-Y-Zn.DB	SPRING WASHER	2
15	GB9701-85 8-Zn.DB	WASHER	2
16	35109-15A00	PILOT LENS	1
17	35130-15A00	HEADLIGHT COVER	1
		HEADLIGHT COVER(CHROME)	1
18	34100-15G00	SPEEDOMETER(ST110-8,ST110-8A)	1
19	34100-15A00	SPEEDOMETER(ST50-8,ST50-8A)	1
22	46700-15A00	SWITCH ASSY IGNITION	1
23	34900-15A00	CABLE SPEEDOMETER	1

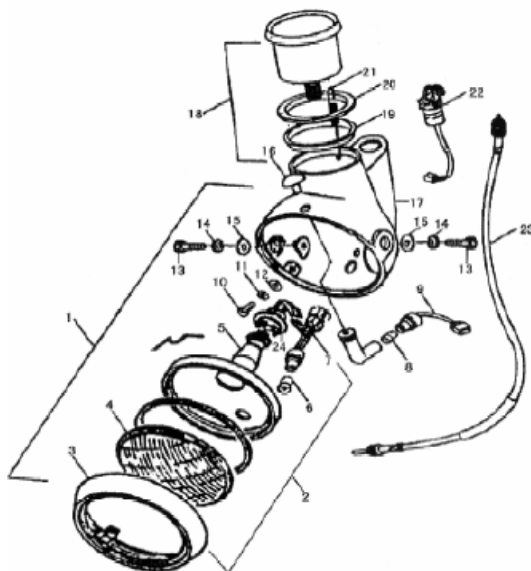


FIG. 5 TURN SIGNAL LAMP

1	35300-15A00	LAMP ASSY□FRONT LH	1
1-1	35300-15A10	LAMP ASSY□FRONT LH	1
2	35500-15A00	LAMP ASSY□REAR RH	1
2-1	35300-15A10	LAMP ASSY□REAR RH	1
3	35400-15A00	LAMP ASSY□REAR LH	1
3-1	35400-15A10	LAMP ASSY□REAR LH	1
4	35200-15A00	LAMP ASSY□FRONT RH	1
4-1	35400-15A10	LAMP ASSY□FRONT RH	1

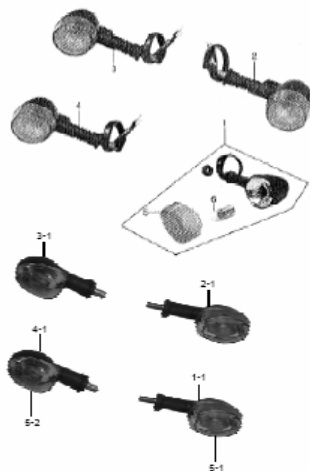


FIG. 6 TAIL LAMP

1	35700-15A00	LAMP ASSY,TAIL	1
1-1	35700-15A10	LAMP ASSY,TAIL	1
2	46500-15A00	HOLDER TAIL LAMP	1
3	GB5783-86 M625-Zn.DJ	BOLT	3
4	GB96-85 6-140HV-Zn.DJ	WASHER	5
5	08319-31103	NUT	2
6	46511-15A00	REAR LIGHT BRACKER	1
7	GB5783-86 M6×16-Zn.DJ	BOLT	2
8	35701-15A00	LENS ,TAIL	1
8-1	35701-15A10	LENS ,TAIL	1
9	G8120-GP215	BULB	1

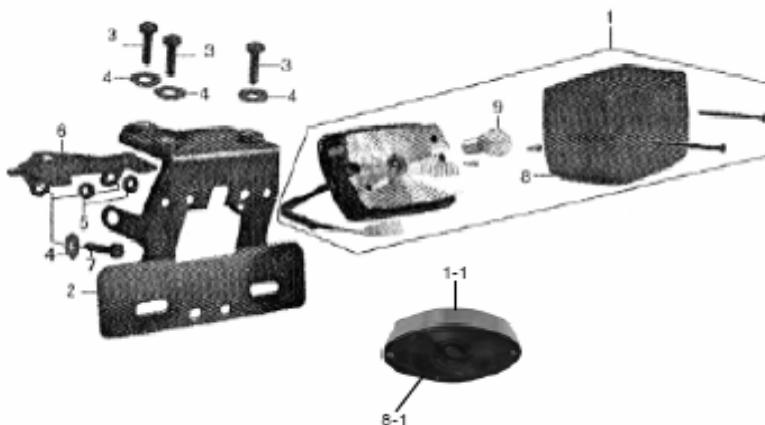
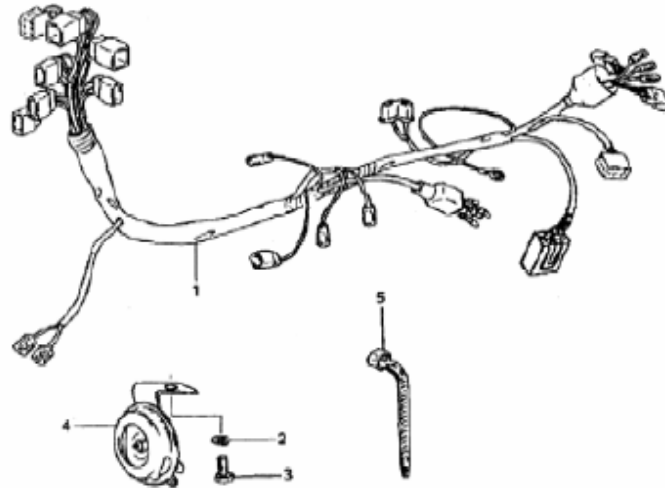


FIG. 7 WIRING HARNESS

1	36600-15A00	WIRING HARNESS	1
2	GB859-876-Zn.dj	SPRING WASHER	1
3	GB30-76 M6×12-Zn.DJ	BOLT	1
4	38500-15A00	HORN ASSY	1
5	36611-15A00	CLAMP	4

**FIG.8 FRAME**

1	41100-15A00	FRAME	1
2	68101-15A00	NAME PLATE	1
3	GB827-86 2×5	RIVET	4
4	09112-15A00	BOLT	1
5	09099-15A00	BOLT	1
6	08319-31083	NUT	2
7	68712-15A00	ANTI-TEMPERING PLATE	1
8	37110-15A00	STEERING LOCK ASSY	1
9	GB96-85 5-140HV-Zn.DJ	WASHER	1
10	GB827-88 4×8-Zn.DB	RIVET	1

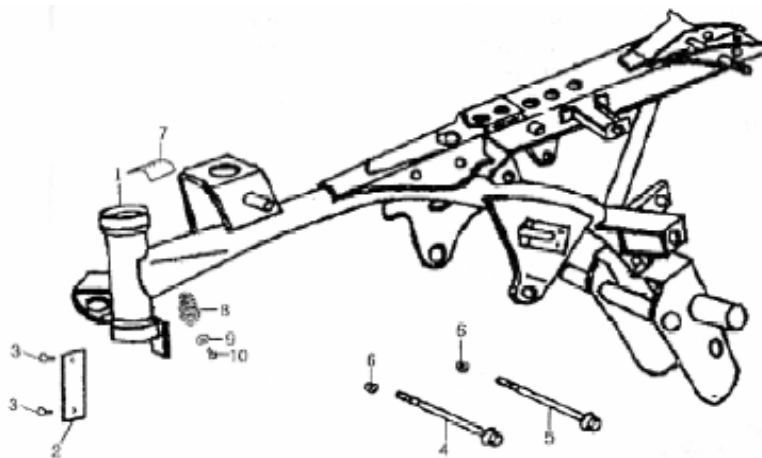


FIG.9 FOOTREST BAR STAND

1	43510-15A00	BAR FRONT FOOTREST	1
2	43551-15A00	RUBBER	2
3	GB5783-86 M8×20-Zn.DC	BOLT	4
4	GB859-87 8-Zn.DC	SPRING WASHER	4
5	42310-15A00	STAND PROP	1
6	T011-10002	BOLT	1
7	42321-15A00	HOOK	1
8	42322-15A00	SPRING	1
9	42323-15A00	SPRING	1
10	GB889-86 M10×1.25-Zn.DJ	NUT	1

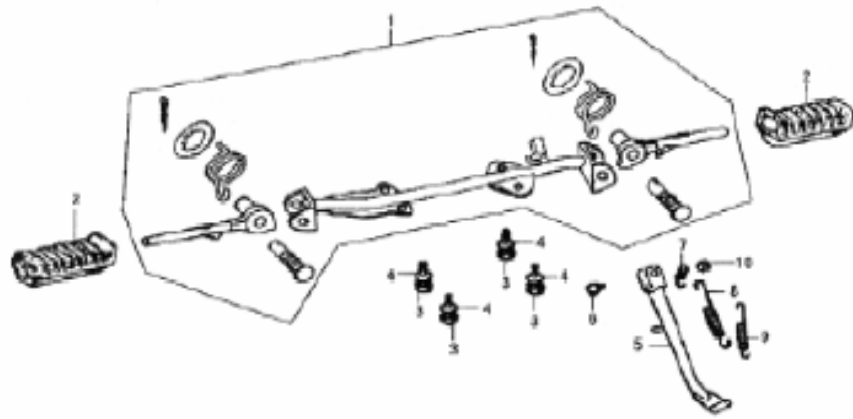


FIG.10 PEDAL BRAKE

1	37740-15A00	BRAKE SWITCH ASSY	1
2	37741-15A00	SPRING	1
3	43322-15A00	SPRING	1
4	43110-15A00	BRAKE PEDAL	1
5	GB91-86 3×26-Zn.DB	COTTER PIN	1
6	09160-15A00	WASHER	1
7	43310-15A00	BRAKE ROD	1
8	GB91-86 1.6×16-Zn.DB	COTTER PIN	1
9	GB97.1-85 5-140HV-Zn.DB	WASHER	1
10	GB/T 97.3 14-Zn.DC	WASHER	1

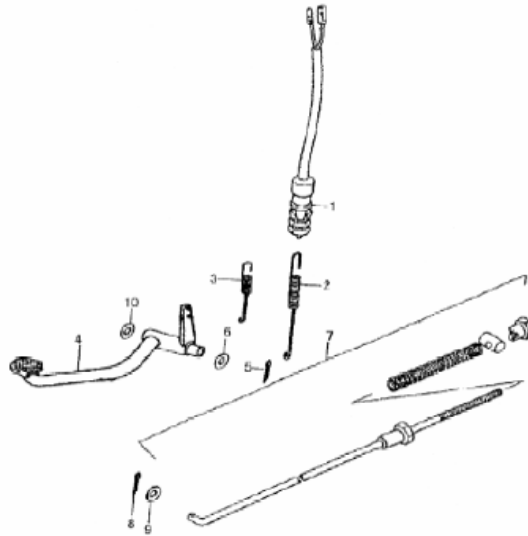


FIG.11 FUEL TANK

1	44110-15A00	FUEL TANK ASSY(MONKEY)	1
1-1	44110-15A10	FUEL TANK ASSY(GORILLA)	1
		FUEL TANK ASSY (CHROME)	1
2	68110-15A00	FUEL TANK TAPE	2
2-1	68110-15A10	FUEL TANK TAPE	2
3	37300-15A00	FUEL TANK CAP(WITH SWITCH)	1
4	68121-15A00	WARNING TAPE	1
5	GB5783-86 M6×25-Zn.DB	BOLT	1
6	09116-06078-1Z	WASHER	1
7	44415-15A00	BUSHING	1
8	44414-15A00	CUSHION	1
9	44416-15A00	CUSHION	1
10	44413-15A00	CUSHION FRONT	2
11	44300-15A00	COCK ASSY□FUEL TANK	1
12	09401-15A00	SET RING	2
13	44412-15A00	OIL HOSE	1

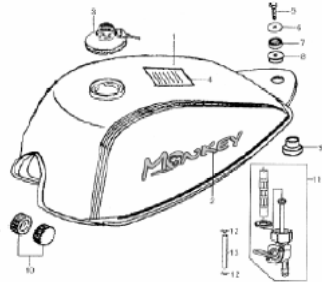


FIG.12 SEAT

1	45100-15A00	SEAT □ ST50-8 □ ST110-8 □	1
1-1	45100-15A20	SEAT □ ST50-8A □ ST110-8A □	1
2	08319-31083	NUT	1
3	45411-15A00	BOLT	1

**FIG.13 FENDER FRONT**

1	53411-15A00	FENDER FRONT	1
		FENDER FRONT □ CHROME □	1
2	51520-15A00	CONNECTION BOARD	1
3	GB923-88 M6-Zn.DJ	NUT	4
4	GB5783-86 M6×16-Zn.DJ	BOLT	2
5	GB97.1-85 6-140HV-Zn.DJ	WASHER	4
6	GB859-87 6-Zn.DJ	SPRING WASHER	4

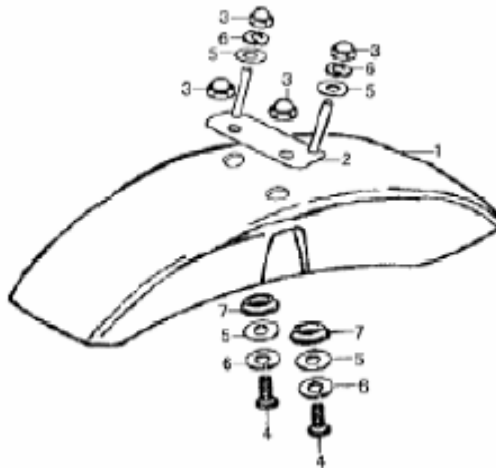


FIG.14 FRONT FORK

1	51633-15A00	STEERING NUT	1
2	51612-15A00	WASHER	1
3	51631-15A00	STEERING NUT	1
4	51643-15A00	DUST SEAL	1
5	09265-15A00	BEARING,UPPER(ROLL BEARING)	1
6	09265-15A10	BEARING,LOWER(ROLL BEARING)	1
7	51613-15A00	SEAL	1
8	59242-15A00	CLIP	1
10	GB5787-86 M8×30-Cr	BOLT	2
11	51410-15A00	STEERING STEM	1
12	51300-15A00	STEERING HEAD	1
13	35950-15A00	REFLECTOR SIDE	2

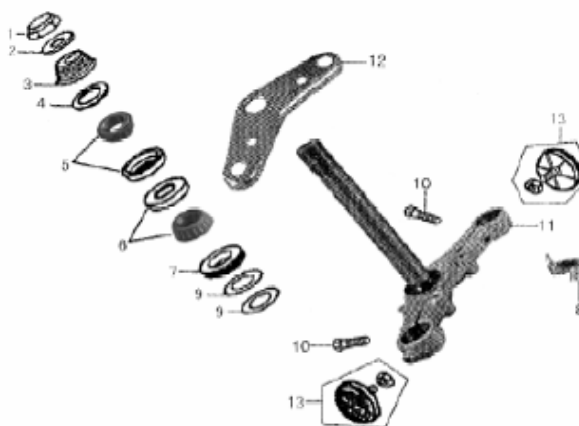


FIG.15 BRAKE ASSY,FRONT

1	08319-31083	BOLT	2
2	09161-15A00	BOLT	1
3	09360-15A00	BOLT	2
4	57421-15A00	BRAKE DISC	1
5	59000-15A00	BRAKE PIPE	1
6	59300-15A00	CALIPER ASSY	1
7	59370-15A00	FRONT BRAKE ASSY	1
8	59411-15A00	LEVER BRAKE	1
9	59421-15A00	MASTER CYLINDER	1
10	59480-15A00	NUT	3
11	59489-15A00	PAD SET	1
12	59600-15A00	SCREW	3
13	GB5787-86 M610-Zn.DJ	SET RING	1
14	GB5787-86 M8×30-Zn.DJ	WASHER	4

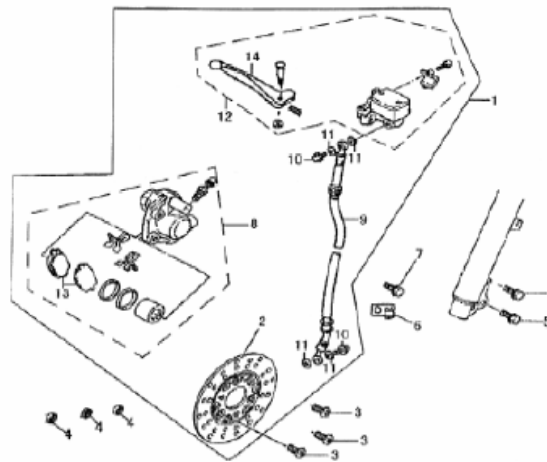


FIG.16 FRONT WHEEL

1	55301-15A00	RIM WHEEL RH	1
2	55100-15A00	TIRE	1
3	55302-15A00	RIM WHEEL LH	1
4	55200-15A00	TUBE INNER	1
5	GB5787-86 M8×12-Zn.DJ	BOLT	8
6	08319-31083	NUT	8
7	54711-15A00	AXLE FRONT	1
8	08319-31108	NUT	1
9	54111-15A00	RIM FRONT WHEEL	1
10	GB5783-86 M8×18-Zn.DJ	BOLT	4
11	GB97.1-85 8-140HV-Zn.DJ	WASHER	4
12	GB93-87 8-Zn.DJ	SPRING WASHER	4
13	54121-15A00	BUSHING	1
14	09285-15A00	GASKET	1
15	54123-15A00	BUSHING	1
16	60300 GB278-82	BEARING	2
17	54620-15A00	GEAR BOX ASSY,SPEEDOMETER	1

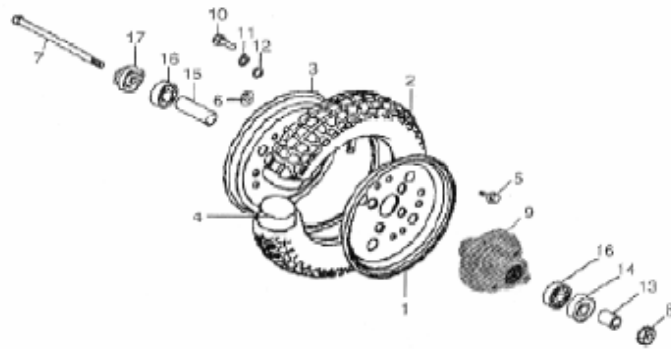
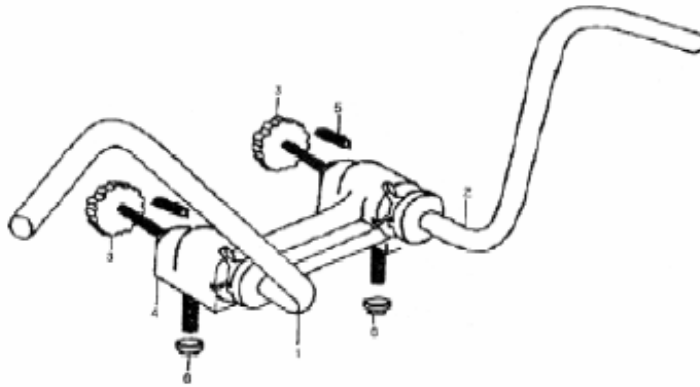


FIG.17 HANDLEBAR

1	56110-15A00	HANDLE BAR LH	1
2	56120-15A00	HANDLE BAR RH	1
3	56130-15A00	LOCKING COMP HANDLE BAR	2
4	56140-15A00	HOLDER HANDLE BAR	1
5	56141-15A00	SPRING	2
6	08319-31103	NUT	2

**FIG.18 DAMPER**

1	52200-15A00	DAMPER ASSY FRONT LH	1
2	52100-15A00	DAMPER ASSY FRONT RH	1
3	51351-15A00	BOLT	2
4	51356-15A00	WASHER	2
5	51552-15A00	CUSHION	2
6	51540-15A00	HEADLIGHT HOLDER LH	1
7	51530-15A00	HEADLIGHT HOLDER RH	1
8	51551-15A00	HOLDER	2

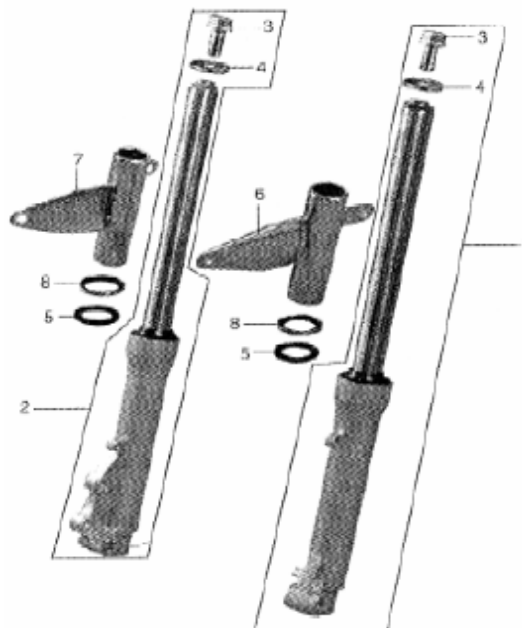
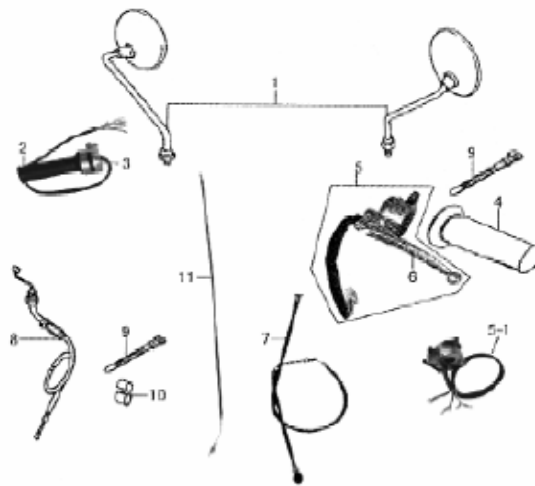


FIG.19 SWITCH HANDLE

1	56500-56600-15A00	REAR VIEW MIRROR	1
2	57110-15A00	GRIP THROTTLE	1
3	57100-15A00	RIGHT HANDLE SWITCH ASSY	1
4	57211-15A00	GRIP LH	1
5	57200-15A00	LEFT HANDLE SWITCH ASSY□MANUAL CLUTCH□	1
5-1	57200-15A10	LEFT HANDLE SWITCH ASSY□SENI-AUTOMATIC CLUTCH□	1
6	57201-15A00	HAND GRIP CLUTCH□MANUAL CLUTCH□	1
7	58200-15A00	CLUTCH THROTTLE ASSY□MANUAL CLUTCH□	1
8	58300-15A00	CABLE THROTTLE	1
9	09407-12402	BAND	4
10	09408-00001	CLUP	1
11	58410-15A00	CABLE CHOKE	1

**FIG.20 SWINGING ARM SET**

1	61100-15A00	SWINGING ARM COMP	1
2	61201-15A00	SHAFT	1
3	51120-15A00	BUSHING	2
4	08319-31108	NUT	1
5	GB5827-85 10-100HV	WASHER	2

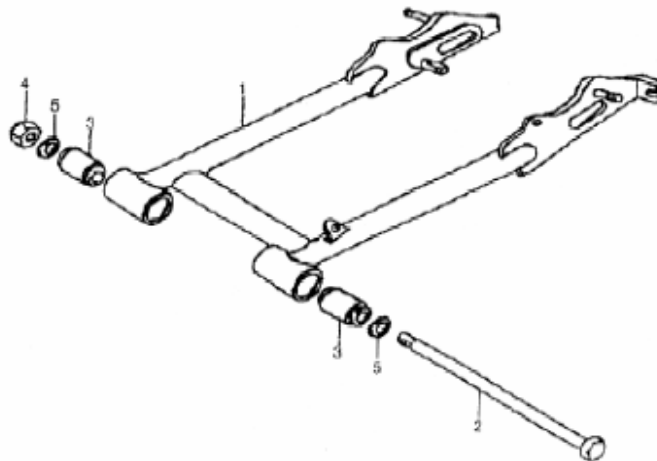
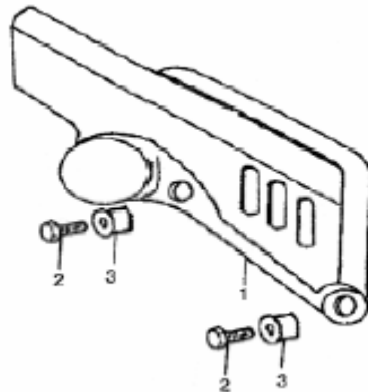


FIG.21 CHAIN CASE

1	61300-15A00	CHIAN CASE	1
2	GB818-85 M6×12-Zn.DJ	SCREW	2
3	53111-15A00	BUSHING	2

**FIG.22 SHOCK ABSORBER**

1	62100-15A00	SHOCK ABSORBER REAR(thicker and adjustable)	2
2	09160-10001	WASHER	6
3	GB923-88 M10×1.25-Cr	NUT	4

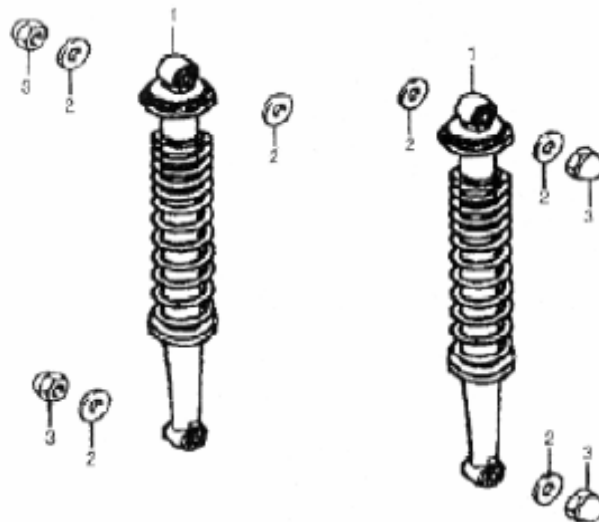
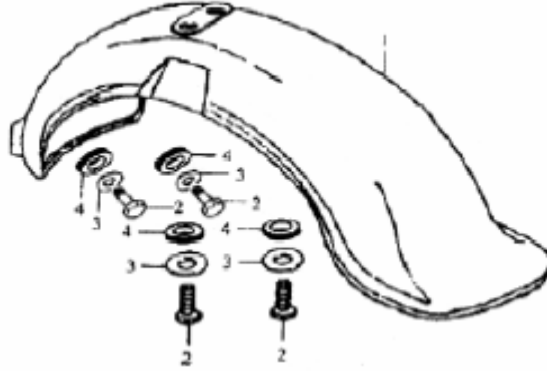


FIG.23 FENDER REAR

1	63511-15A00	FENDER REAR	1
		FENDER REAR(CHROME)	1
2	63641-15A00	BOLT	4
3	GB97.1-85 8-140HV-Zn.DC	WASHER	4
4	63621-15A00	RUBBER PAD	4

**FIG.24 CARRIER**

1	46300-15A00	CARRIER REAR	1
2	GB5787-86 M8×16-Cr	BOLT	4
3	37600-15A00	LOCK HELMET	1
4	GB818-85 M6×20-Zn.DC	SCREW	2
5	GB923-88 M6-Zn.DJ	NUT	1
6	46820-15A00	PLATE COMP TOOL	1
7	46802-15A00	CUSHION	1
8	46830-15A00	HOLDER TOOL	1

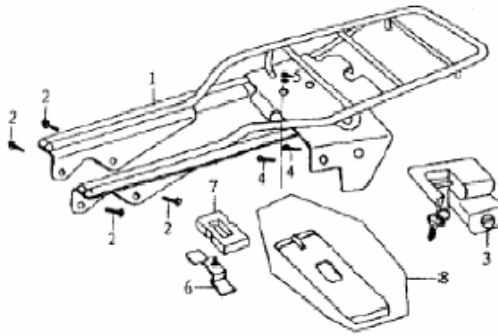


FIG.25 REAR WHEEL

1	55200-15A00	TUBE INNER	1
2	55100-15A00	TIRE	1
3	55302-15A00	RIM WHEEL LH	1
4	55301-15A00	RIM WHEEL RH	1
5	GB5787-86 M8×12-Zn.DJ	BOLT	8
6	08319-31083	NUT	8
7	64711-15A00	REAR AXLE	1
8	64712-15A00	BUSHING	1
9	64511-15A00	SPROCKET RAER(ST50-8,ST50-8A)	1
9-1	64511-15G00	SPROCKET RAER(ST110-8,ST110-8A)	1
10	08319-31083	NUT	3
11	64720-15A00	OIL SEAL	1
12	60201 GB278-82	BEARING	2
13	64210-15A00	BUSHING	1
14	64100-15A00	HUB REAR	1
15	GB5783-86 M8×18-Zn.DJ	BOLT	1
16	GB97.1-85 8-140HV-Zn.DJ	WASHER	1
17	GB93-87 8-Zn.DJ	SPRING WASHER	1
18	54400-15A00	SHOE BRAKE	1
19	09443-15A00	SPRING	1
20	54210-15A00	PANEL	1
21	54441-15A00	BRAKE CAM	1
22	64411-15A00	LEVER BRAKE CAM	1
23	GB5782-86 M6×35-Zn.DJ	BOLT	1
24	GB96-85 6-140HV-Zn.DJ	WASEHR	1
25	GB6170-86 M6-8-Zn.DJ	NUT	1
26	08319-31128	NUT	1
27	61411-15A00	ADJUSTER	1
28	GB859-87 6-Zn.DJ	SPRING WASHER	1
29	08MA-80 GB/T14212-93	CHAIN(ST50-8,ST50-8A)	1
29-1	08MA-78 GB/T14212-93	CHAIN(ST110-8,ST110-8A)	1
30	GB6170-86 M6-Zn.DJ	NUT	1

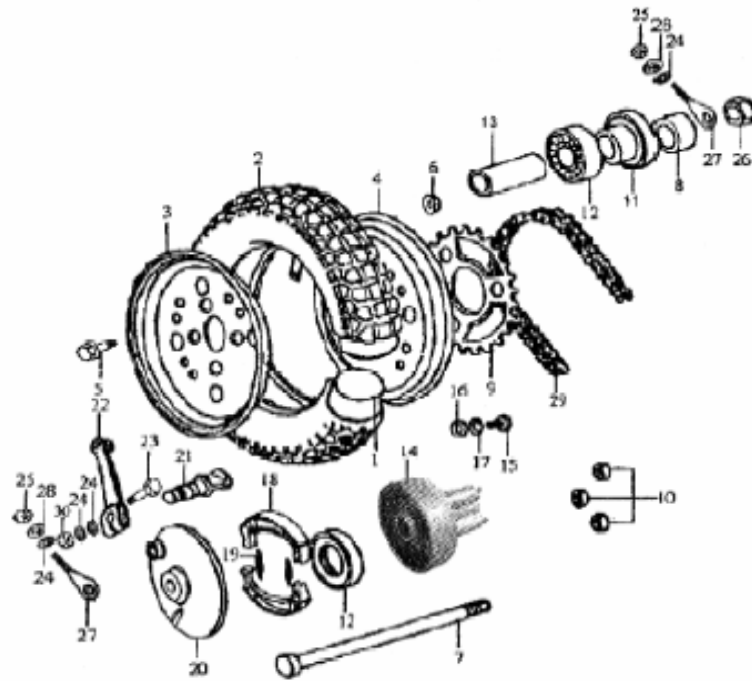


FIG.25 KIT

1	09800-15A00	TOOL KITS	1
2	09801-15A00	BAG	1

