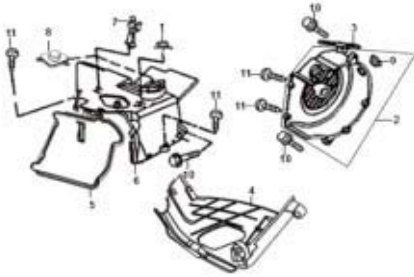


CONTENTS—ENGINE GROUP

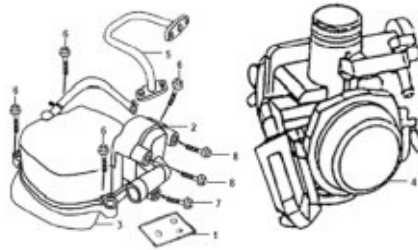
E01

FAN COVER-ENGINE SHROUD



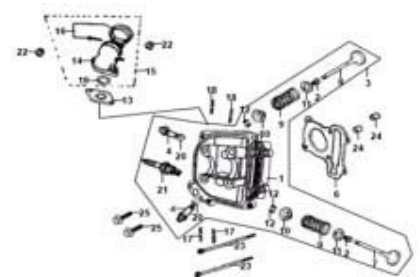
E02

CYLINDER HEAD COVER-CARBURETOR



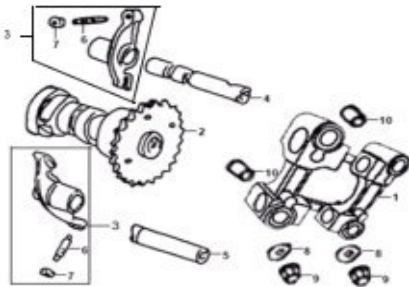
E03

CYLINDER HEAD-HOLD



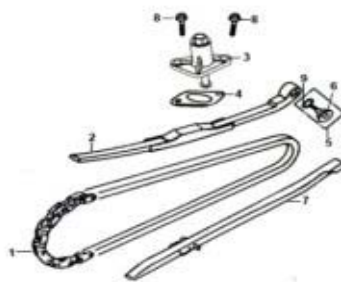
E04

CAM SHAFT-VALVE



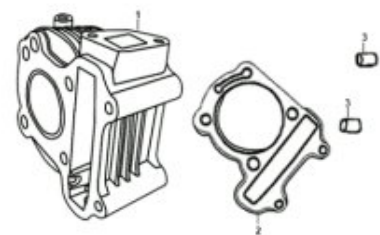
E05

CAM CHAIN-TENSIONER



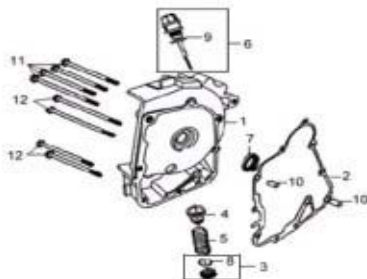
E06

CYLINDER



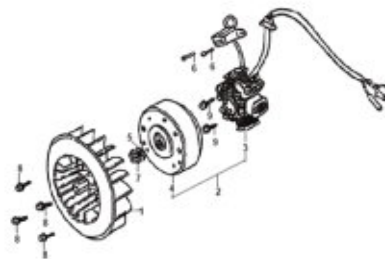
E07

RIGHT CRANK CASE COVER



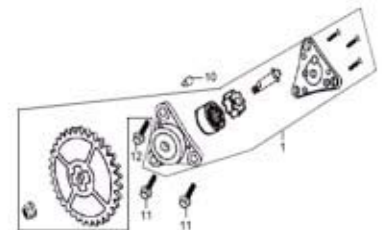
E08

GENERATOR-FLY WHEEL



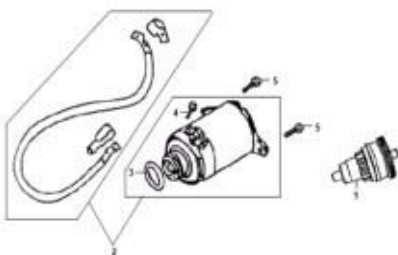
E09

OIL PUMP



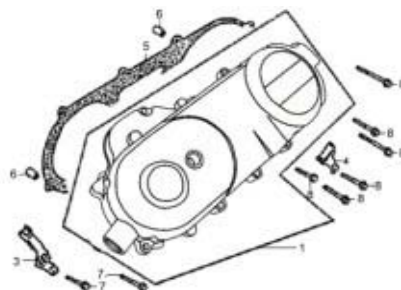
E10

STARTER MOTOR-CLUTCH OUTER



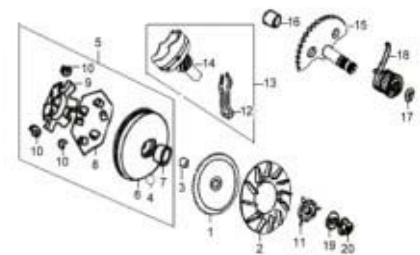
E11

LEFT CRANK CASE COVER



E12

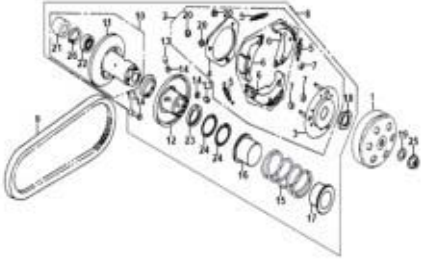
DRIVE FACE-KICK STARTER SPINDLE



CONTENTS—ENGINE GROUP

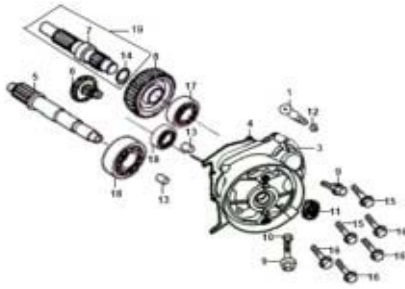
E13

DRIVEN PULLEY



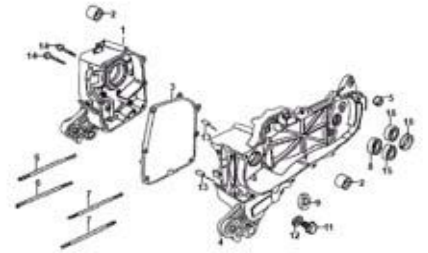
E14

TRANSMISSION



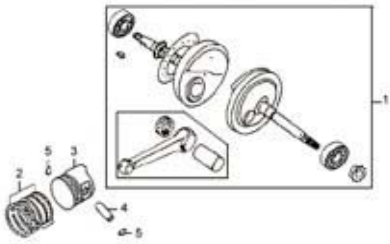
E15

CRANK CASE



E16

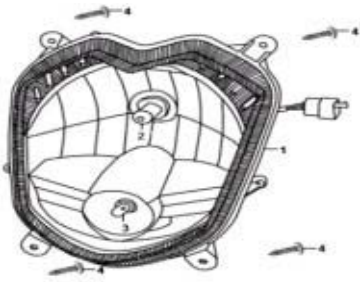
CRANK SHAFT-PISTON



CONTENTS—FRAME GROUP

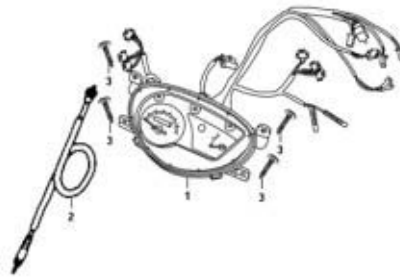
F01

HEAD LIGHT



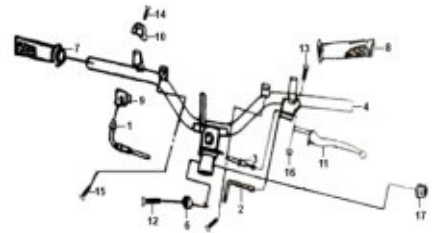
F02

SPEEDOMETER



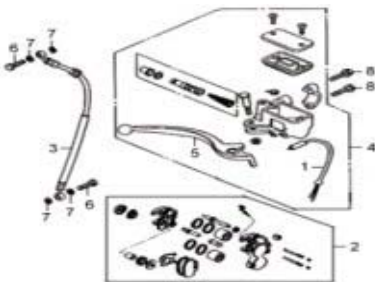
F03

CABLE·SWITCH·HANDLE LEVER



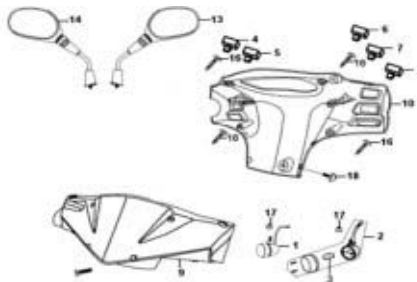
F04

FRONT BRAKE MASTER CYLINDER



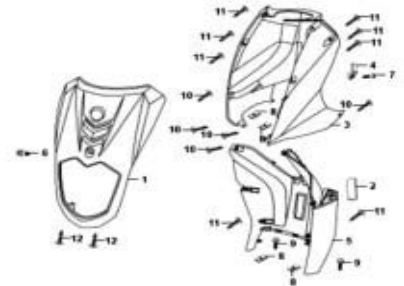
F05

HANDLE PIPE·HANDLE COVER



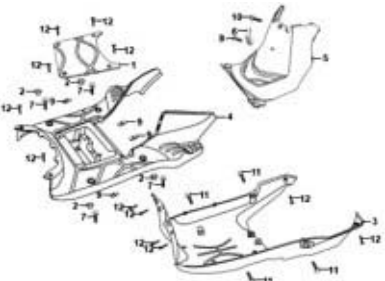
F06

FRONT COVER·FRONT INNER BOX



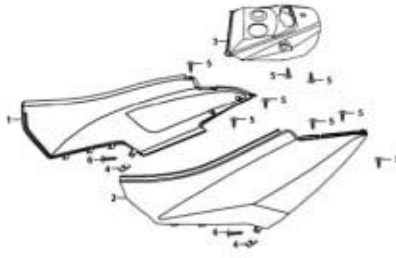
F07

FLOOR PANEL·CENTER COVER



F08

BODY COVER



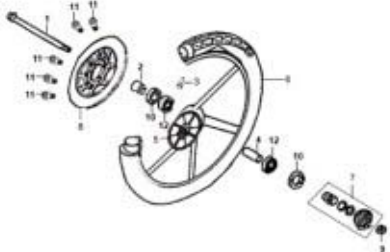
F09

STEERING STEM·FRONT CUSHION



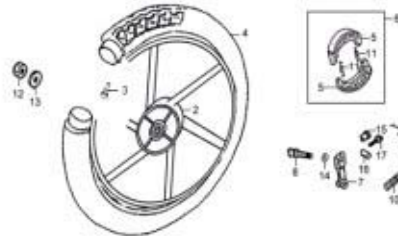
F10

FRONT WHEEL



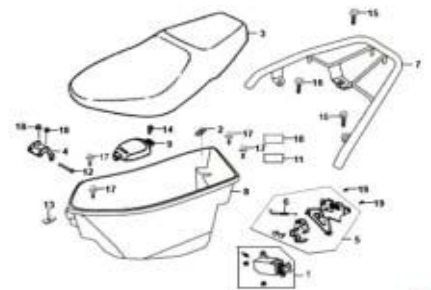
F11

REAR WHEEL



F12

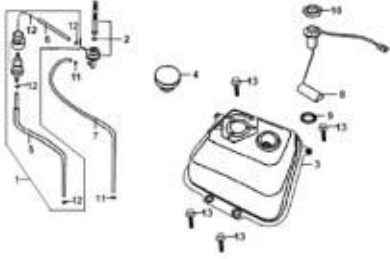
SEAT·REAR GRIP



CONTENTS—FRAME GROUP

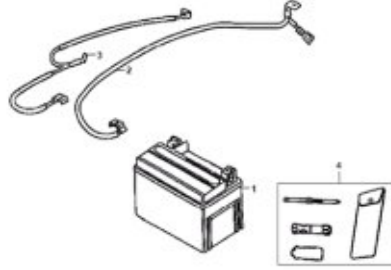
F13

FUEL TANK



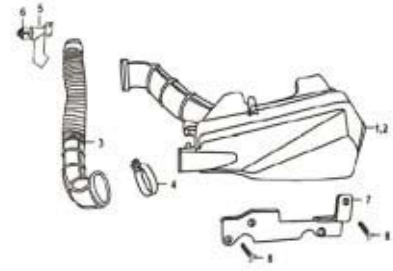
F14

BATTERY·TOOL BOX



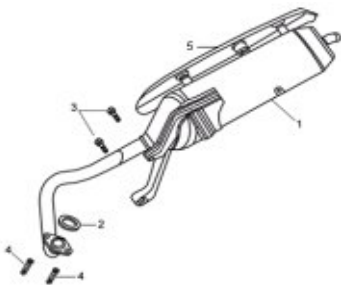
F15

AIR CLEANER



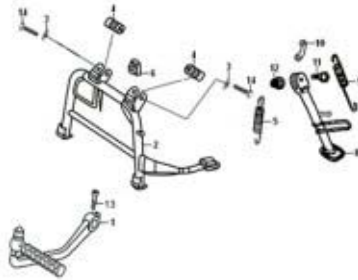
F16

EXH. MUFFLER



F17

MAIN STAND·KICK STARTER ARM



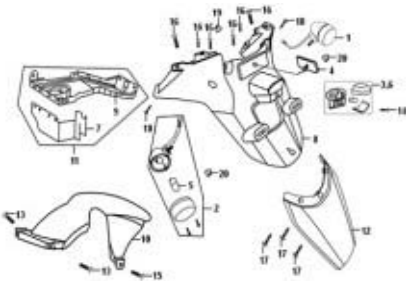
F18

TAIL LIGHT·RR. CUSHION



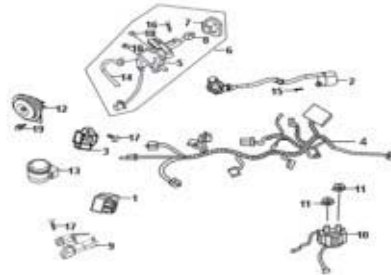
F19

REAR FENDER·REAR INNER FENDER



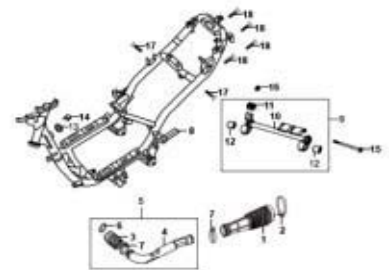
F20

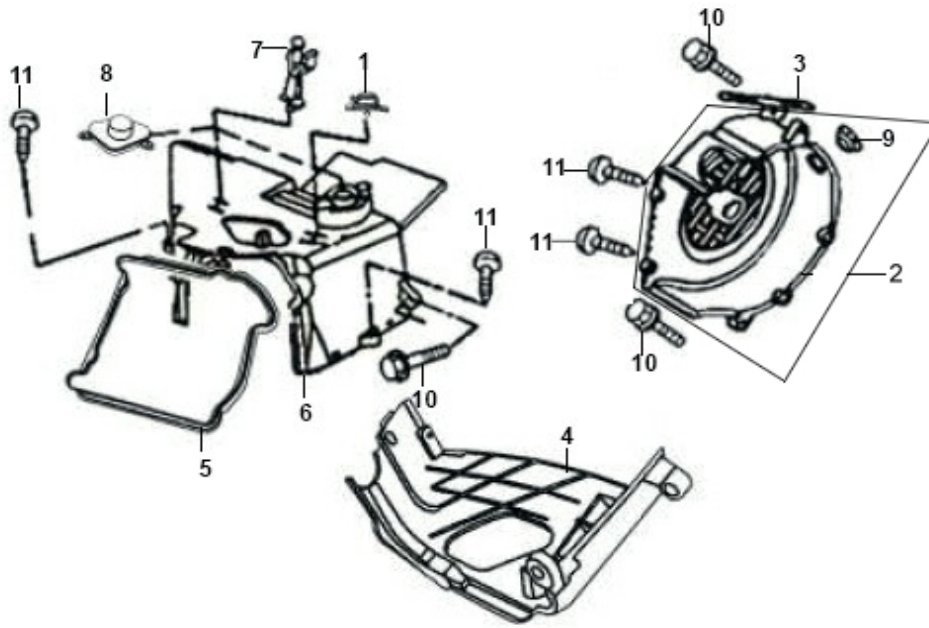
WIRE HARNESS



F21

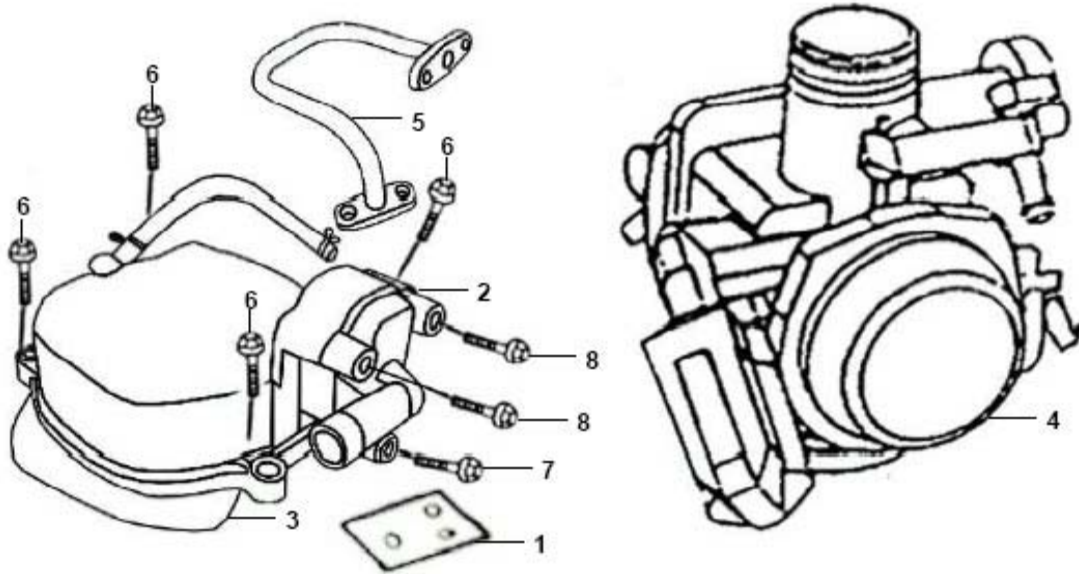
FRAME BODY·ENGINE HANGER





Pictures reference only

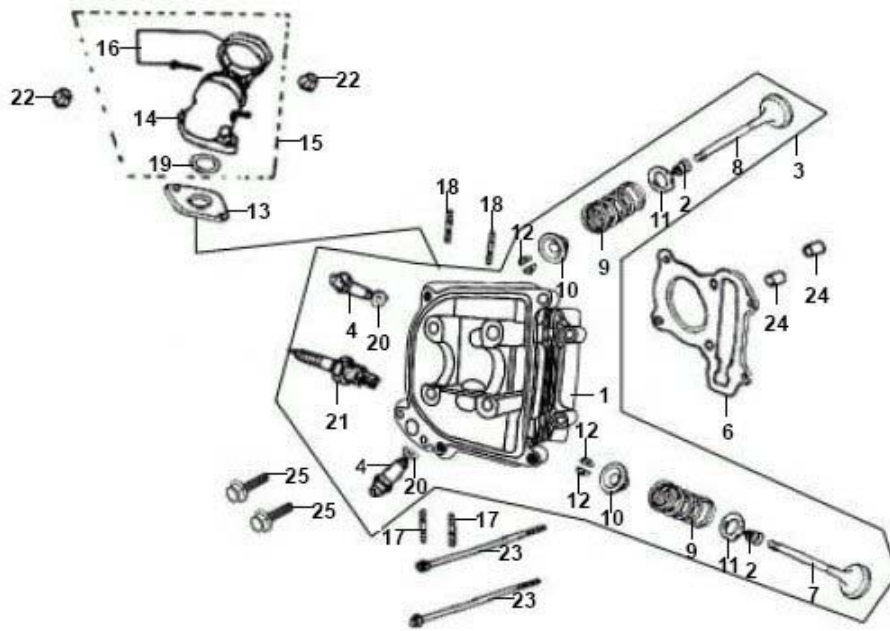
PARTS NUMBER		DESCRIPTION	Q T	EFFECTI VE DATE
1	11384-BE2-A00	N/A BREATHER TUBE CLAMPER	1	
2	1961A-BE2-A00	FAN COVER ASS'Y	1	
3	19613-M9Q-000	START. MOTOR CORD CLAMPER	1	
4	1962A-BE2-A00	SHROUD A □	1	
5	19625-BE2-A00	SHROUD AB SEAL	1	
6	1963A-BE2-A00	SHROUD B □	1	
7	19632-BE2-A00	N/A HIGH TENSION CORD CLIP	1	
8	19633-BE2-A00	N/A LIFTER TENSIONER COVER	1	
9	70529-657-670	N/A SIDE PANEL GROMMET B	1	
10	93904-35380	TAPPING SCREW 5*16	2	
11	96001-06025-08	FLANGE BOLT 6*25	4	



Pictures reference only

PARTS NUMBER	DESCRIPTION	Q T	EFFECTI VE DATE
1 12302-BE2-A00	BREATHER SEPARTARTE PLATE□□	1	
2 12301-BE2-A00	CYLINDER HEAD COVER□□	1	
3 12391-BE2-A00	CYLINDER HEAD COVER GASKET□□	1	
4 16100-AAB-000	(25/30KPH)	1	
5 18647-M9Q-000	AIR PIPE COMP	1	
6 95701-06025-08	FLANG BOLT 8X25	4	
7 96001-06022-08	FLANGE BOLT SH 6X22	1	
8 96001-06025-08	FLANGE BOLT SH 6X25	2	

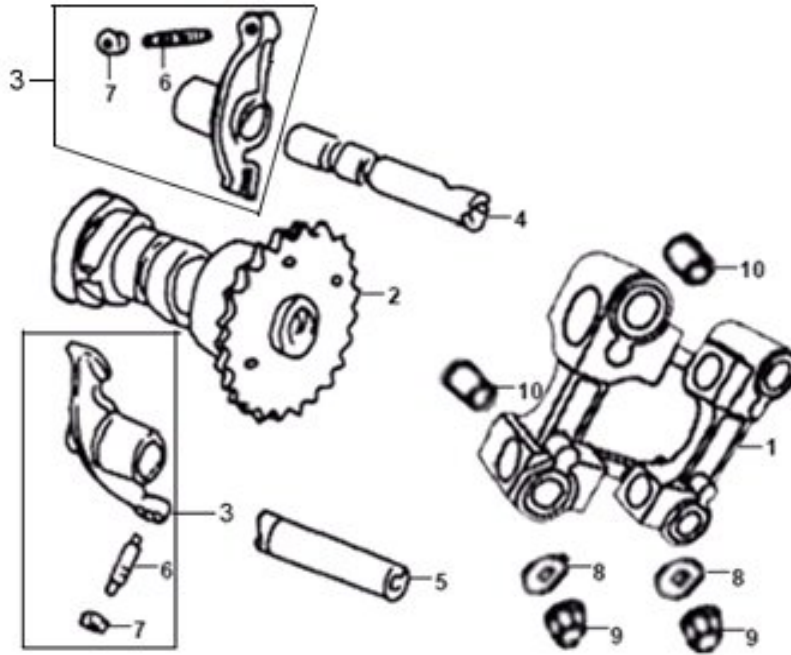
※ Please check the color & stripe information according to the color index !



Pictures reference only

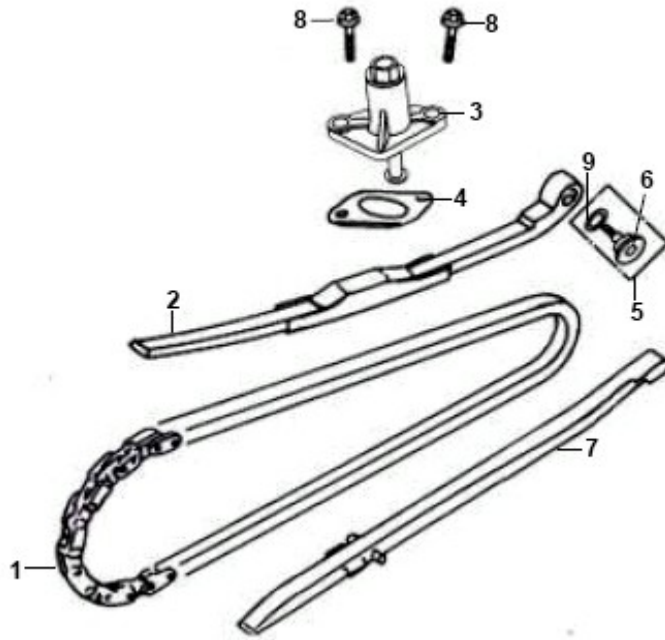
PARTS NUMBER		DESCRIPTION	Q T	EFFECTI VE DATE
1	12200-BE2-A00	CYLINDER HEAD	1	
2	12209-GB4-681	VALVE STEM SEAL	2	
3	1220A-BE2-A00	N/A CYL. HEAD ASSY	1	
4	12237-BE2-A00	N/A IN/EX. VALVE GUIDE	2	
6	12251-BE2-A00	CYLINDER HEAD GASKET	1	
7	14711-BE2-A00	INLET VALVE	1	
8	14721-BE2-A00	EXHAUST VALVE	1	
9	14751-GN5-911-KD	VALVE OUTER SPRING	2	
10	14771-GB4-680	VALVE SPG. RETAINER	2	
11	14775-MA6-000	VALVE SPG. SEAT OUTER	2	
12	14781-MA6-000-A	VALVE COTTER(1SET/4PCS)	1	
13	16211-BE2-A00	CARB. INSULATOR	1	
14	17110-BE2-A00	N/A INLET PIPE COMP.	1	
15	1711A-BE2-A00	INLET PIPE	1	
16	17256-BE2-A00	N/A INSULATOR BAND	1	
17	90032-M9Q-300	STUD BOLT 6*32	2	
18	90033-V02-000	STUD BOLT 6*50	2	
19	91301-BE2-A00	N/A O-RING 21.5*2	1	
20	91305-M9Q-000	O-RING 9*1.6	2	
21	1PCR7HSA-3	PLUG CR7HSA	1	
22	94050-06080	FLANGE NUT 6MM	2	
23	96001-06085-08	SH. FLANGE BOLT M6*85	2	
24	90702-VA2-000	DOWEL PIN 8*14	2	
25	90032-M9Q-300	STUD BOLT 6*32	2	

✘ Please check the color & stripe information according to the color index !



Pictures reference only

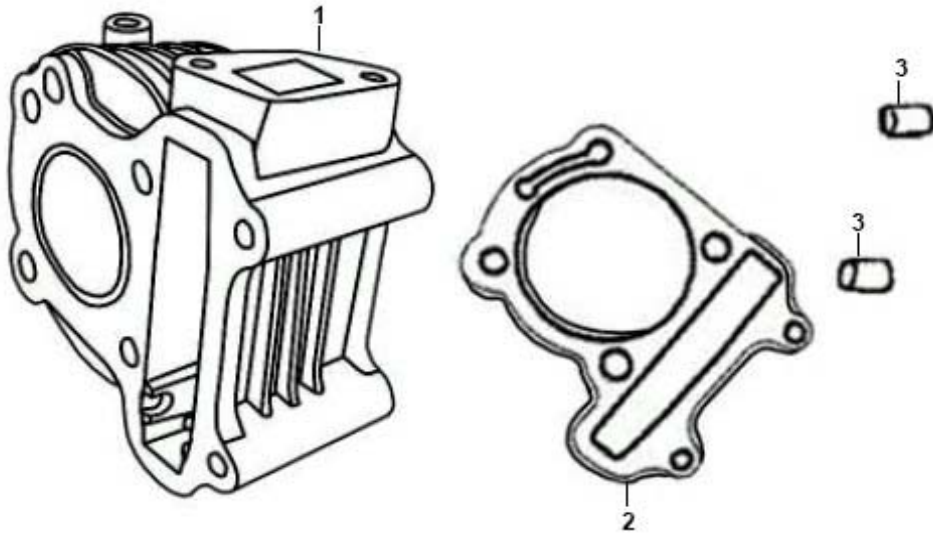
PARTS NUMBER		DESCRIPTION	Q T	EFFECTI VE DATE
1	12211-BE2-A00	CAM SHAFT HOLDER	1	
2	14100-BE2-A00	CAM SHAFT	1	
3	1443K-BE2-A00	VALVE ROCKER ARM	2	
4	14450-BE2-A00	IN ROCKER ARM SHAFT COMP	1	
5	14452-BE2-A00	EXH. ROCKER ARM SHAFT	1	
6	90012-333-000	SCREW TAPPET ADJ.	2	
7	90206-001-000	TAPPET ADJUSTING NUT	2	
8	90443-BE2-A00	WASHER 7*14*2	4	
9	94050-07080	FLANGE NUT M7	4	
10	90702-VA2-000	DOWEL PIN 8*14	2	



Pictures reference only

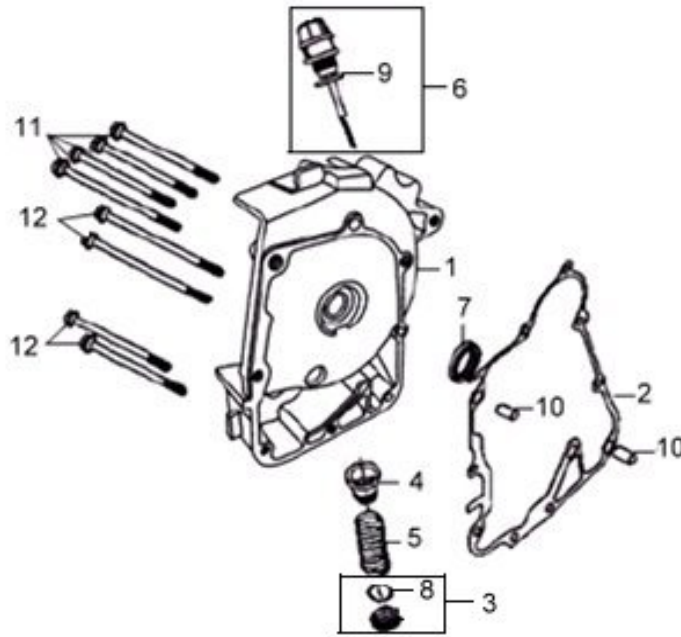
PARTS NUMBER		DESCRIPTION	Q T	EFFECTI VE DATE
1	1C14401-BE2-A00	REVISED CAM CHAIN	1	
2	14510-BE2-A00	CAM CHAIN TENSIONER	1	
3	14520-BE2-A00	LIFTER TENSIONER	1	
4	14523-BE2-A00	TENSIONER LIFTER GASKET	1	
5	1453A-V02-000	CAM CHAIN TENSIONER PIVOT	1	
6	14531-GR0-000	CAM CHAIN TENSIONER PIVOT	1	
7	14610-BE2-A00	CAM CHAIN GUIDE	1	
8	96001-06018-08	FLANGE BOLT 6*18	2	
9	91301-GR0-003-KD	O-RING 15.5*1.5	1	

※ Please check the color & stripe information according to the color index !



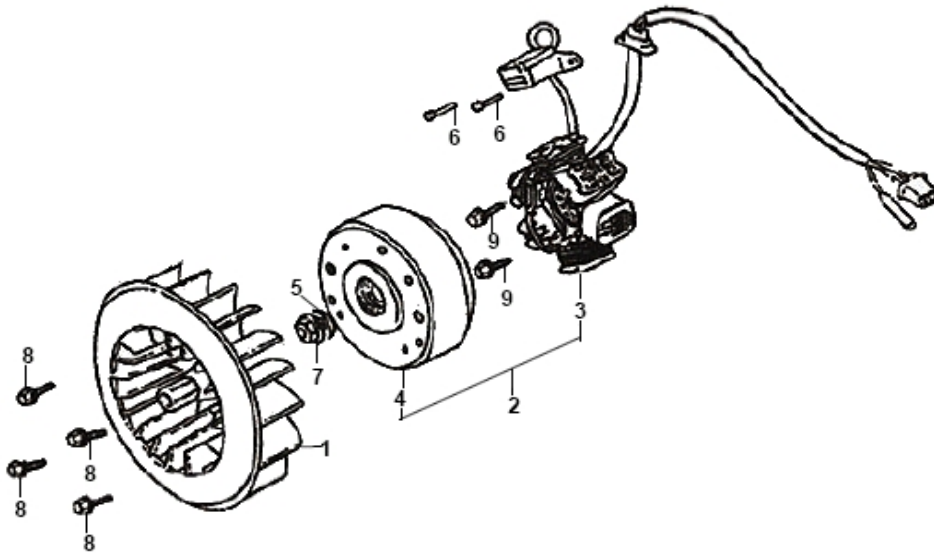
Pictures reference only

PARTS NUMBER		DESCRIPTION	Q T	EFFECTI VE DATE
1	12101-BE2-A00	CYLINDER	1	
2	12191-BE2-A00	CYLINDER GASKET	1	
3	90702-VA2-000	DOWEL PIN 8*14	2	



Pictures reference only

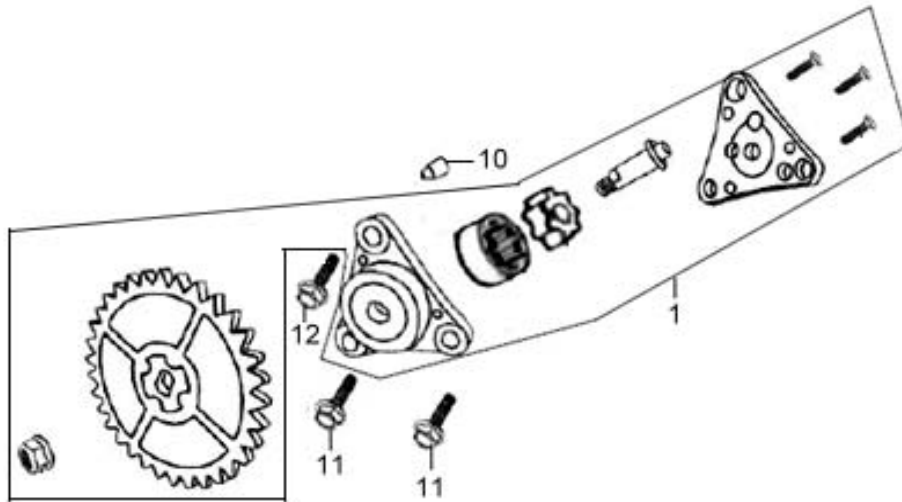
PARTS NUMBER	DESCRIPTION	Q T	EFFECTI VE DATE
1 11331-BE2-A00	R. CRANK CASE COVER	1	
2 11394-BE2-A00	R. COVER GASKET	1	
3 1236A-V02-000	TAPPET ADJU. HOLE CAP ASSY	1	
4 15421-H66-000	OIL FILTER SCREW	1	
5 15426-GE1-920	OIL FILTER SCREW SPRING	1	
6 1565A-V02-000	OIL LEVEL GAUGE	1	
7 91201-BE2-A00	OIL SEAL 16.4*30*6	1	
8 91302-M9Q-000	O-RING 30.8MM	1	
9 91307-035-000	O RING 18*3	1	
10 94301-08140	DOWEL PIN 8*14	2	
11 96001-06085-08	SH. FLANGE BOLT M6*85	4	
12 96001-06100-08	FLANGE BOLT6*100	4	



Pictures reference only

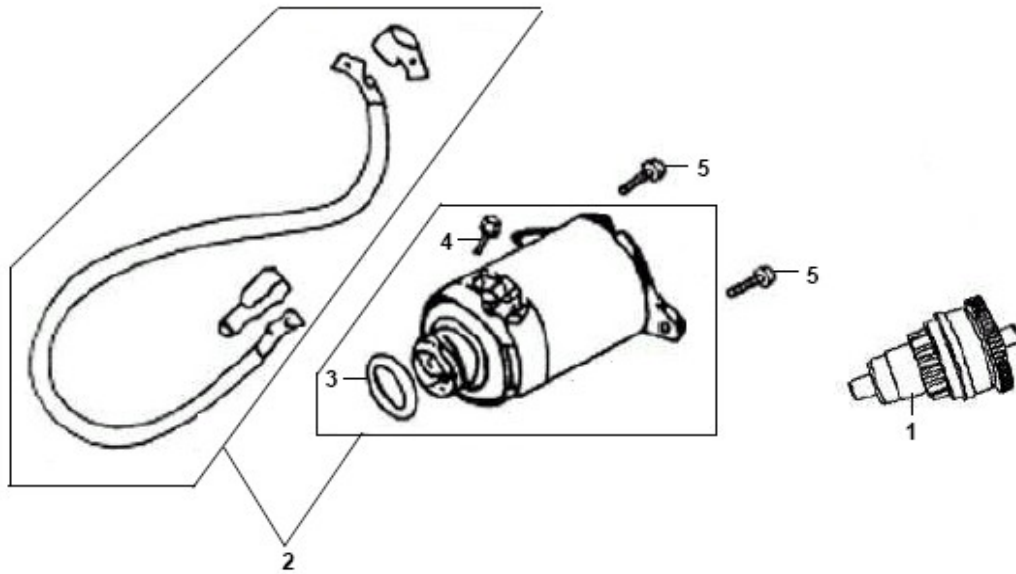
PARTS NUMBER		DESCRIPTION	Q T	EFFECTI VE DATE
1	19510-BE2-A00	COOLING FAN COMP.	1	
2	31100-AAA-A00	N/A ACG. ASSY	1	
3	31120-AAA-A00	STATOR COMP.	1	
4	31110-BE1-A00	FLY WHEEL	1	
5	90441-BE2-A00	PLAIN WASHER 10.2*20*2.0	1	
6	92101-05012-0A	HEX BOLT 5*12	2	
7	94050-10080	FLANGE NUT 10MM	1	
8	96001-06018-08	FLANGE BOLT 6*18	4	
9	96001-06020-00	FLANGE BOLT SH 6X20	2	

※ Please check the color & stripe information according to the color index !



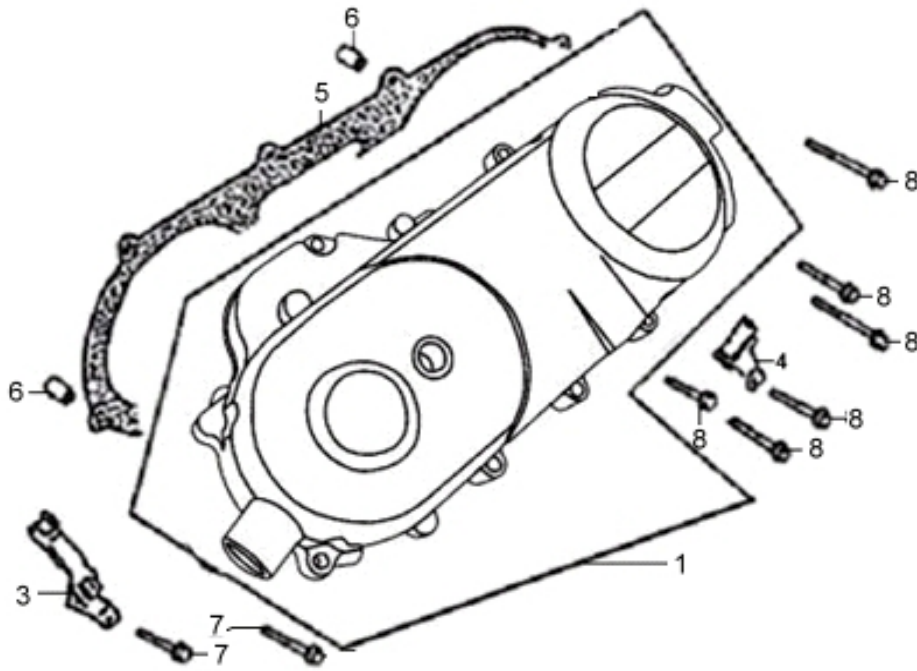
Pictures reference only

PARTS NUMBER		DESCRIPTION	Q T	EFFECTI VE DATE
1	15100-BE2-A00	OIL PUMP	1	
10	94301-08110	DOWN PIN 8*11	1	
11	96001-06022-08	FLANGE BOLT SH. 6*22	2	
12	96001-06025-08	FLANGE BOLT 6*25	1	



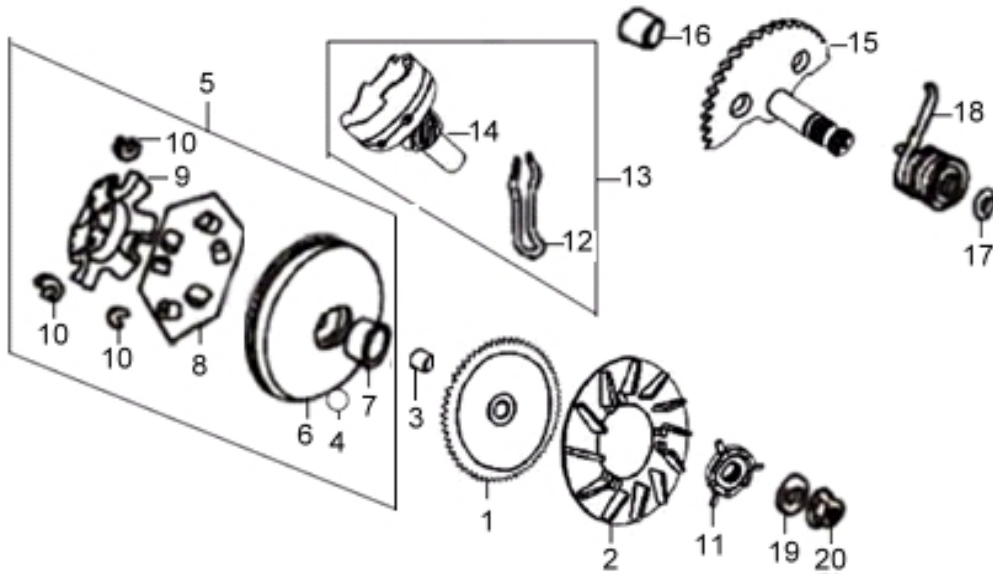
Pictures reference only

PARTS NUMBER		DESCRIPTION	Q T	EFFECTI VE DATE
1	2812A-BE2-A00	START CLUTCH	1	
2	31200-BE1-A00	START MOTOR ASSY	1	
3	91309-BE2-A00	N/A O-RING 20*2.2	1	
4	91981-KN7-670	WASHER SCREW 5*8	1	
5	96001-06022-08	FLANGE BOLT SH. 6*22	2	



Pictures reference only

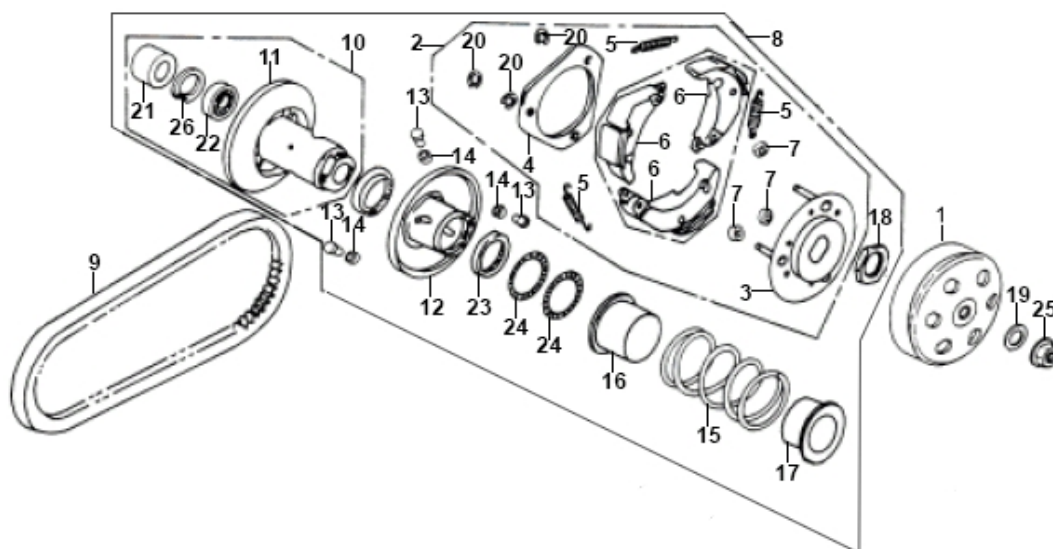
PARTS NUMBER		DESCRIPTION	Q T	EFFECTI VE DATE
1	11341-BE2-A00	L. CRANK CASE COVER	1	
3	11381-GY6-940	THROTTLE CABLE CLAMPER	1	
4	11382-BE2-A00	BRAKE CABLE CLAMPER	1	
5	11395-BE2-A00	L. COVER GASKET	1	
6	94301-08140	DOWEL PIN 8*14	2	
7	96001-06040-08	FLANGE BOLT SH. 6*40	2	
8	96001-06035-00	FLANGE BOLT SH 6*35	8	



Pictures reference only

PARTS NUMBER	DESCRIPTION	Q T	EFFECTI VE DATE
1 22102-BE2-A00	DRIVE FACE	1	
2 22103-BE2-A00	DRIVEN GEAR SEAT	1	
3 22105-BE2-A00	DRIVE FACE BOSS	1	
4 22106-AAB-000	DRIVE FACE COLLER (25KM/H)	1	
5 2211A-BE2-A00	MOVABLE DRIVE FACE	1	
6 22110-BE2-A00	N/A MOVABLE DRIVE FACE COMP	1	
7 22112-BE2-A00	N/A BUSH 20*24*21	1	
8 22121-AAC-000-A	WEIGHT ROLLER SET(6PCS/1SET)	1	
9 22131-BE2-A00	RAMP PLATE	1	
10 22132-BE2-A00-A	SLIDE PIECE SET(3PCS/1SET)	1	
11 28221-BE2-A00	KICK STARTER DRIVEN GEAR	1	
12 28223-BE2-A00	N/A STARTER GEAR FRICTION SPRING	1	
13 2823A-BE2-A00	KICK DRIVEN GEAR ASSY	1	
14 28230-BE2-A00	N/A KICK DRIVEN GEAR COMP	1	
15 28250-BE2-A00	KICK STARTER SPINDLE COMP	1	
16 28254-BE2-A00	KICK SPINDLE BUSH 14*18*20	1	
17 90451-M9Q-000	THRUST WASHER 14.2*21	1	
18 28281-BE2-A00	KICK STARTER SPG.	1	
19 94102-12800	PLAIN WASHER 12MM	1	
20 94001-12000	HEX NUT M12	1	

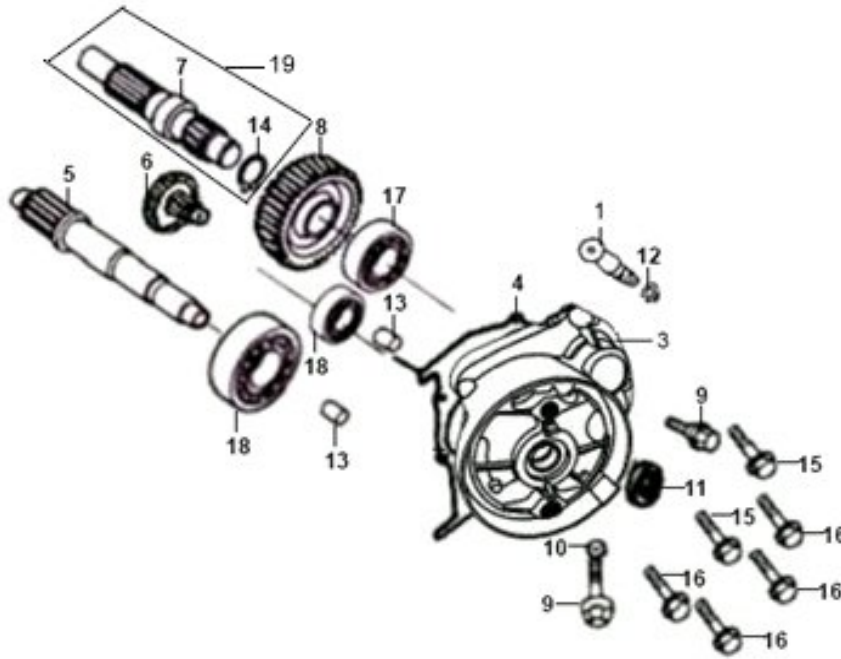
※ Please check the color & stripe information according to the color index !



Pictures reference only

PARTS NUMBER	DESCRIPTION	Q T	EFFECTI VE DATE
1 22101-BE2-A00	CLUTCH OUTER	1	
2 22300-BE2-A00	DRIVE PLATE ASSY	1	
3 22350-BE2-A00	N/A DRIVE PLATE COMP	1	
4 22361-BE2-A00	N/A CLUTCH SIDE PLATE	1	
5 22401-BE2-A00	CLUTCH SPRING	3	
6 22530-BE2-A00-A	N/A CLUTCH WEIGHT SET(3PCS/1SET)	1	
7 22804-BE2-A00	N/A CLUTCH DAMPER RUBBER	3	
8 23010-BE2-A00	DRIVEN PULLEY	1	
9 1B01BE201	DRIVE BELT	1	
10 23200-BE2-A00	N/A DRIVEN FACE ASSY	1	
11 23210-BE2-A00	N/A DRIVEN FACE COMP.	1	
12 23220-BE2-A00	N/A MOVABLE DRIVEN FACE COMP.	1	
13 23225-BE2-A00	N/A ROLLER GUIDE PIN(RKGC8)	3	
14 23226-M9Q-000	GUIDE ROLLER	3	
15 23233-BE2-A00	DRIVEN FACE SPRING	1	
16 23237-BE2-A00	N/A SEAL COLLAR	1	
17 23238-BE2-A00	N/A SPRING COLLAR	1	
18 90202-187-000	SPECIAL NUT 28MM	1	
19 90441-BE2-A00	PLAIN WASHER 10.2*20*2.0	1	
20 90605-BE2-A00	N/A CIR CLIP 5MM	3	
21 91001-BE2-A00	N/A NEEDLE BEARING 17*25*18	1	
22 91002-BE2-A00	N/A BALL RADIAL BRG. 6901U	1	
23 91211-BE2-A00	N/A OIL SEAL 33X39X3	2	
24 91384-BE2-A00	N/A O-RING 36*1.5	2	
25 94050-10080	FLANGE NUT 10MM	1	
26 94520-24000	IN. CIR. CLIP 24MM	1	

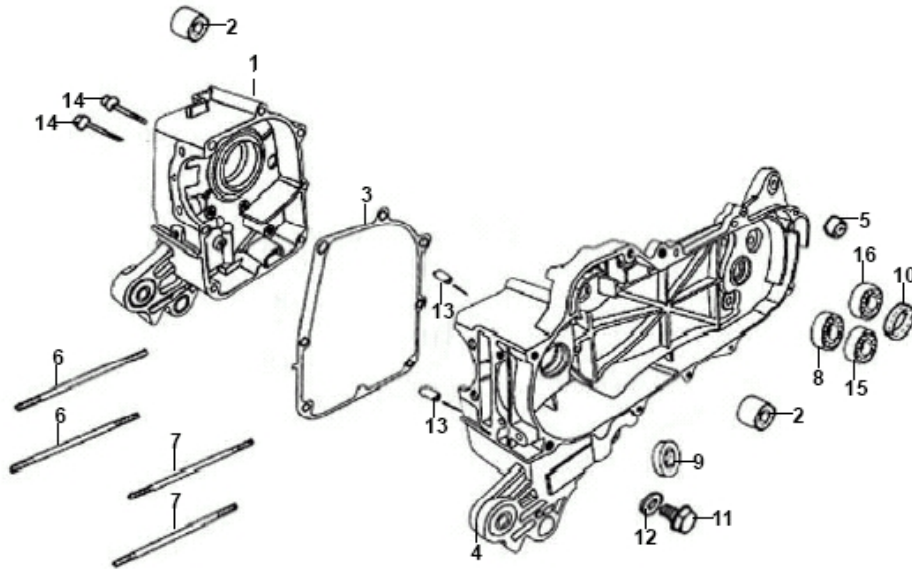
※ Please check the color & stripe information according to the color index !



Pictures reference only

PARTS NUMBER		DESCRIPTION	Q T	EFFECTI VE DATE
1	11203-KM1-310	BRAKE SHOE ANCHOR PIN	1	
3	21301-BE2-A00	MISSION CASE	1	
4	21395-BE2-A00	MISSION COVER GASKET	1	
5	23411-BE2-A00	DRIVE SHAFT	1	
6	23420-BE2-A00	COUNTER SHAFT COMP.	1	
7	23431-BE2-A00	N/A FINAL SHAFT	1	
8	23432-BE2-A00	FINAL GEAR	1	
9	90103-KN8-000	SPECIAL BOLT 8MM	2	
10	90474-333-000-KD	WASHER 8MM	2	
11	91202-BE2-A00	OIL SEAL 17*30*7	1	
12	91301-M7Q-000	O-RING 7.5*1.5	1	
13	94301-10160	DOWEL PIN 10*16	2	
14	94510-20000	EX. CIR-CLIP 20MM	1	
15	95701-08035-00	FLANGE BOLT 8*35	2	
16	95701-08040-00	FLANGE BOLT 8*40	5	
17	96100-60040-00	RADIAL BALL BEARING 6004	1	
18	96100-62010-00	RADIAL BALL BEARING 6201	2	
19	2343A-BE2-A00	FINAL SHAFT SET	1	

※ Please check the color & stripe information according to the color index !

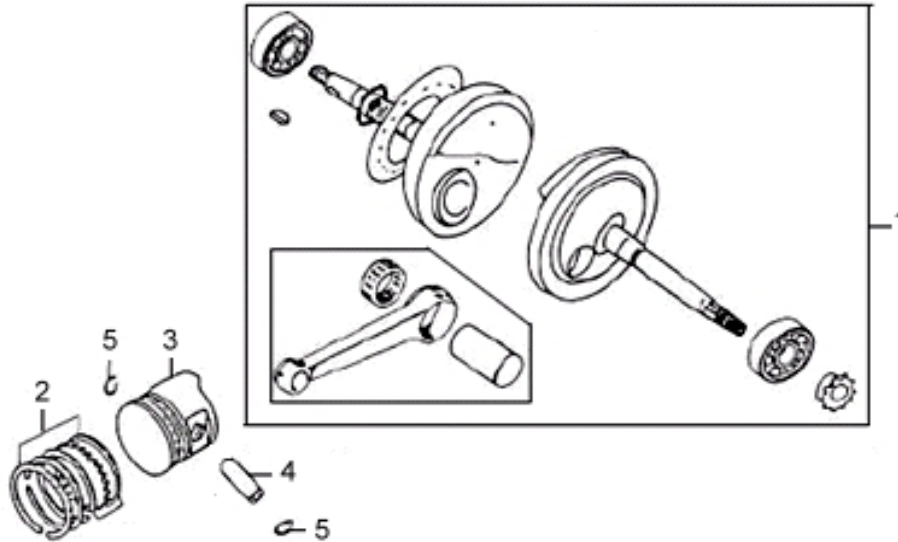


Pictures reference only

PARTS NUMBER	DESCRIPTION	Q T	EFFECTI VE DATE	
1 11100-BE2-A00	R. CRANK CASE	1		
1 11100-BE2-A02	R. CRANK CASE	1	2007.11.12	N
2 11102-BE2-A00	R. BUSH 42MM	2		
3 11192-BE2-A00	CRANK CASE GASKET	1		
4 11200-BE2-A00	L. CRANK CASE	1		
5 11203-GC7-300	REAR CUSHION UNDER RUVVER BUSH	1		
6 90031-BE2-A00	A STUD BOLT7*167	2		
7 90032-BE2-A00	B STUD BOLT7*176	2		
8 96100-62010-00	BEARING BALL 6201T	1		
9 91201-BE2-A00	OIL SEAL 16.4*30*6	1		
10 91255-GE0-003	OIL SEAL 27*42*7	1		
11 92800-1200A	DRAIN PLUG BOLT 12MM	1		
12 94109-12000	DRAIN PLUG WASHER 12MM	1		
13 94301-08140	DOWEL PIN 8*14	2		
14 96001-06050-08	FLANGE BOLT 6*50	2		
15 96100-62030-00	RAD.BALL BRG 6203T	1		
16 96100-63030-00	RAD.BALL.BRG.6303T	1		

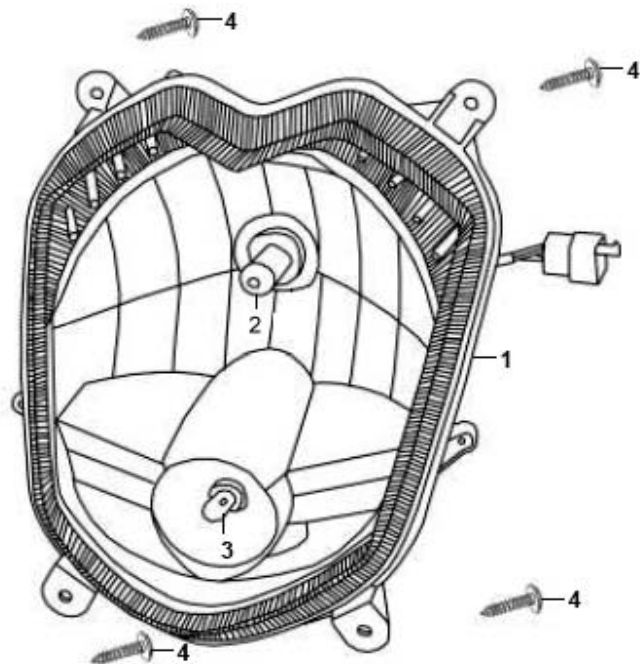
※ Please check the color & stripe information according to the color index !

 TEAMWORLD IND. 2007.10



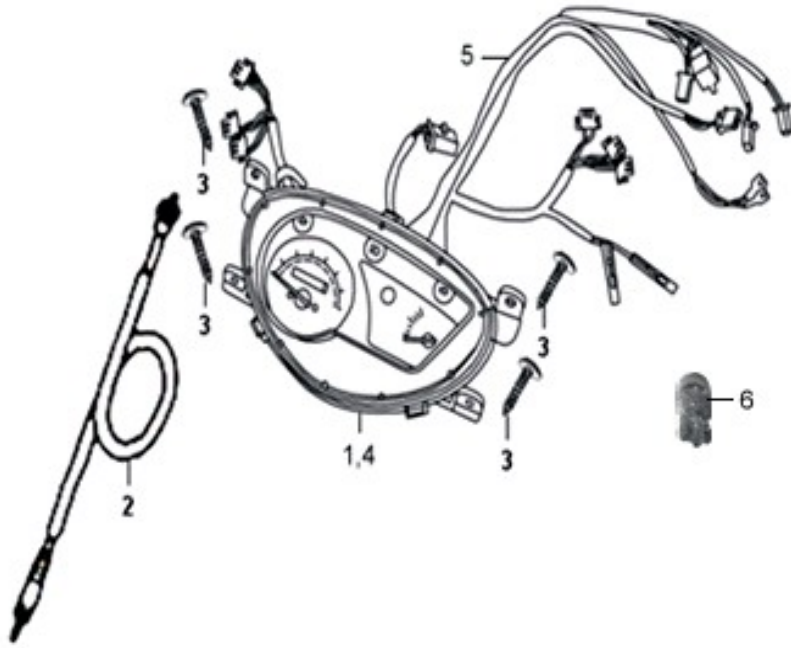
Pictures reference only

PARTS NUMBER		DESCRIPTION	Q T	EFFECTI VE DATE
1	13000-BE2-A00	CRANK SHAFT	1	
2	13010-BE2-A00	PISTON RING SET	1	
3	13101-BE2-A00	PISTON	1	
4	13111-BE2-A00	PISTON PIN	1	
5	94601-13000	PISTON PIN CLIP 13MM	2	



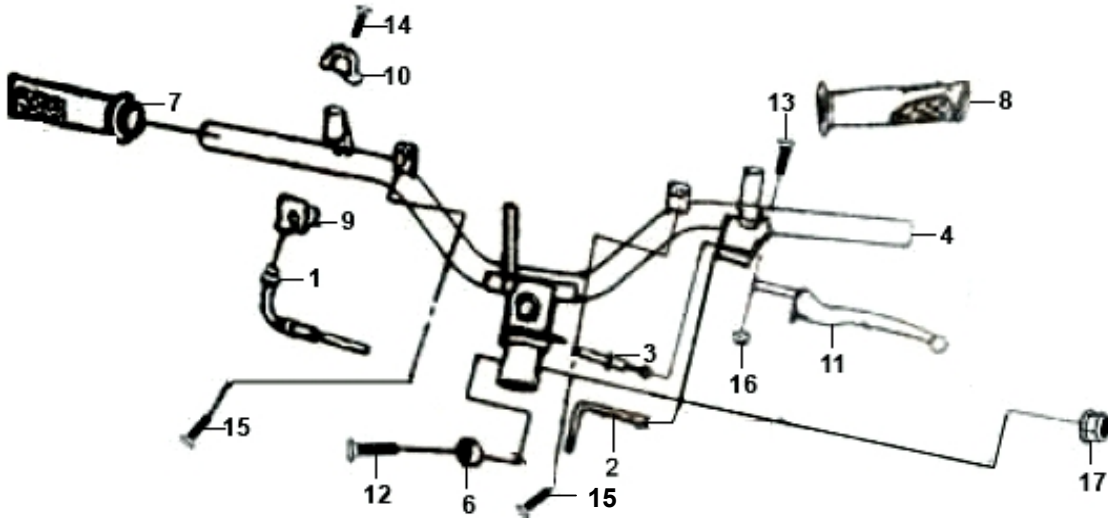
Pictures reference only

PARTS NUMBER		DESCRIPTION	Q T	EFFECTI VE DATE
1	33100-ABA-000	HEAD LIGHT	1	
2	34901-X06-000	HEAD LIGHT BULB(12V35/35W)	1	
3	34908-M9Q-100	WEDGE BASE BULB (12V 5W)	1	
4	93903-35320	TAPPING SCREW 5X16	4	



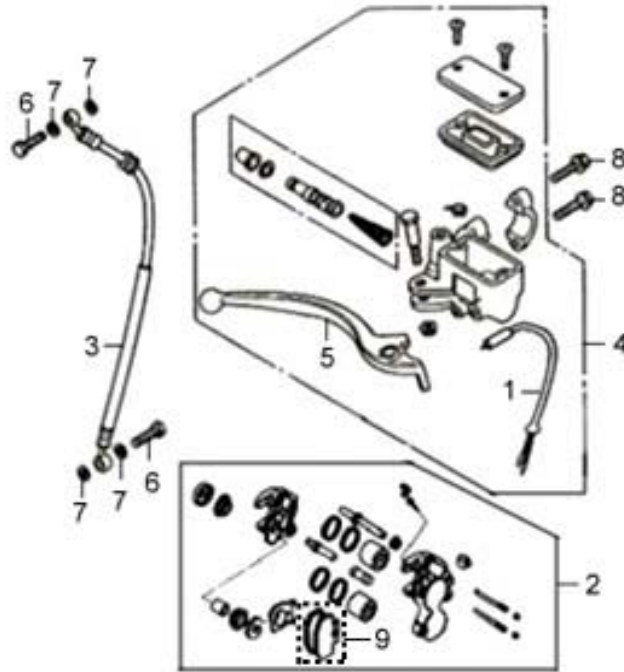
Pictures reference only

PARTS NUMBER		DESCRIPTION	Q T	EFFECTI VE DATE
1	37200-AAA-000	SPEEDOMETER	1	
2	44830-ABA-000	SPEEDOMETER CABLE	1	
3	93903-35320	TAPPING SCREW 5*16	4	
4	37204-ABA-000	ADD METER LENS	1	
5	37224-AAA-001	REVISED METER CABLE	1	
6	34908-MB9-871	ADD BULB WEDGE BASE T10 12V-1.7W	1	



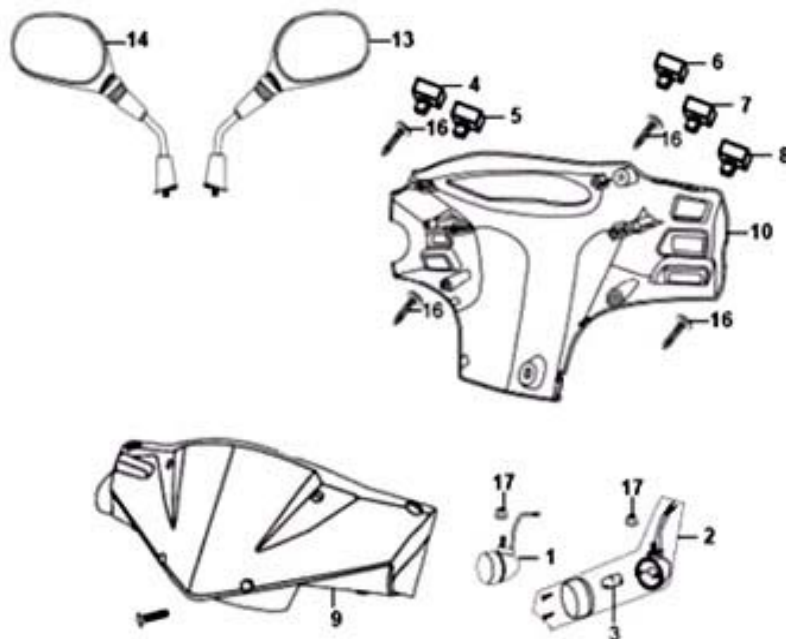
Pictures reference only

PARTS NUMBER	DESCRIPTION	Q T	EFFECTI VE DATE
1 17910-AAA-000	THROT. CABLE	1	
2 35340-M92-000	FR. STOP SW. ASS'Y	1	
3 43450-AAA-000	RR. BRAKE CABLE	1	
4 53100-ABA-000	STRG. HANDLE	1	
6 53125-M9Q-000	HANDLE SET COLLAR	1	
7 53140-S1F-A00	R. HANDLE GRIP	1	
8 53166-S1F-A00	L. HANDLE GRIP	1	
9 53167-H09-A00	THROT. UNDER HOUSING	1	
10 53168-H09-A00	THROT. UP. HOUSING	1	
11 5317A-GAK-V00	L. STEERING HANDLE LEVER	1	
12 90106-TAA-000	FLANGE BOLT 10*50	1	
13 90115-M9Q-000	HANDLE LEVER PIVOT SCREW	1	
14 93500-05025-08	PAN SECREW 5X25	1	
15 93903-35320	TAPPING SCREW 5*16	2	
16 94001-05070-0S	HEX NUT 5MM	1	
17 94050-10080	FLANGE NUT 10MM	1	



Pictures reference only

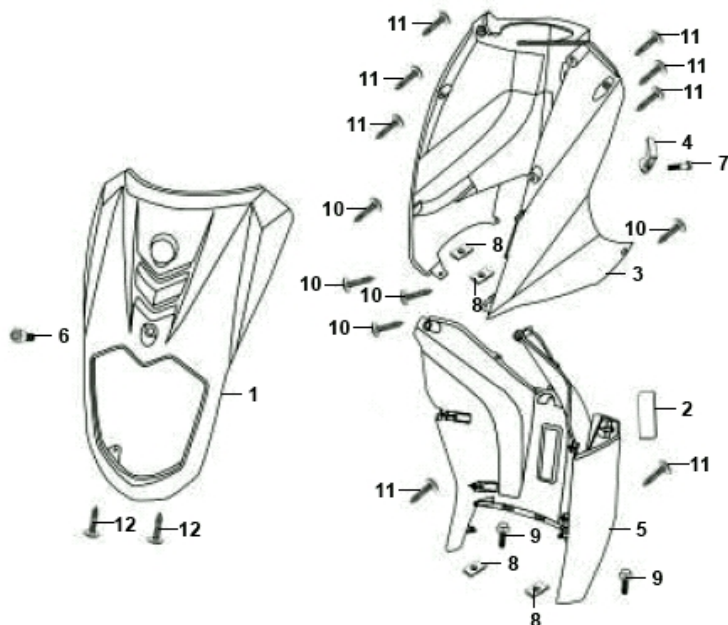
PARTS NUMBER	DESCRIPTION	Q T	EFFECTI VE DATE	
1 35340-M92-000	FR. STOP SW. ASSY	1		
2 45100-T6R-900	FR. CALIPER ASSY	1		
3 45126-AAA-000	FR. BRAKE HOSE COMP	1		
4 4550A-AAA-000	FR. BRAKE ASSY	1		
5 53175-VN3-000	R. STRG. HANDLE LEVER	1		
5 53175-AAA-000	R. STRG. HANDLE LEVER	1	2007.11.13	N
6 90145-M9Q-000	OIL BOLT 10*22	2		
7 90545-M9Q-000	OIL BOLT WASHER	4		
8 95801-06022-07	FLANGE BOLT 6*22	2		
9 45105-G22-900-A	ADD BRAKE PAD SET	1		



Pictures reference only

PARTS NUMBER		DESCRIPTION	Q T	EFFECTI VE DATE
1	33400-ABA-000	FR. R. WINKER	1	
2	33450-ABA-000	FR. L. WINKER	1	
3	34905-A8D-000	WINKER BULB (12V 10W)	1	
4	35150-M9F-A00	SW. UNIT LIGHTING	1	
5	35160-M9Q-000	START SW. UNIT	1	
6	35170-M9Q-000	DIMMER & PASSING SW. UNIT	1	
7	35180-M9Q-000	HORN SW. UNIT	1	
8	35200-M9Q-000	WINKER SW. UNIT	1	
9	53205-AAA-000-BP	Blue FR. HANDLE COVER (BU-289)	1	
9-1	87170-C2F-A00-T2	Blue SYM STRIPE	1	
9	53205-AAA-000-KC	Black FR. HANDLE COVER (BK001)	1	
9-1	87170-C2F-A00-T2	Black SYM STRIPE	1	
9	53205-AAA-000-RD	Red FR. HANDLE COVER (R010CA)	1	
9-1	87170-C2F-A00-T2	Red SYM STRIPE	1	
9	53205-AAA-000-SB	Silver FR. HANDLE COVER (S880)	1	
9-1	87170-C2F-A00-T3	Silver SYM STRIPE	1	
9	53205-AAA-000-WD	White FR. HANDLE COVER (WH8018P)	1	
9-1	87170-C2F-A00-T3	White SYM STRIPE	1	
10	53206-AAA-000	RR. HANDLE COVER	1	
13	88110-KAA-000	R.BACK MIRROR ASSY.	1	
14	88120-KAA-000	L.BACK MIRROR ASSY.	1	
16	93903-35320	TAPPING SCREW 5*16	4	
17	94050-05080	FLANGE NUT M5	2	

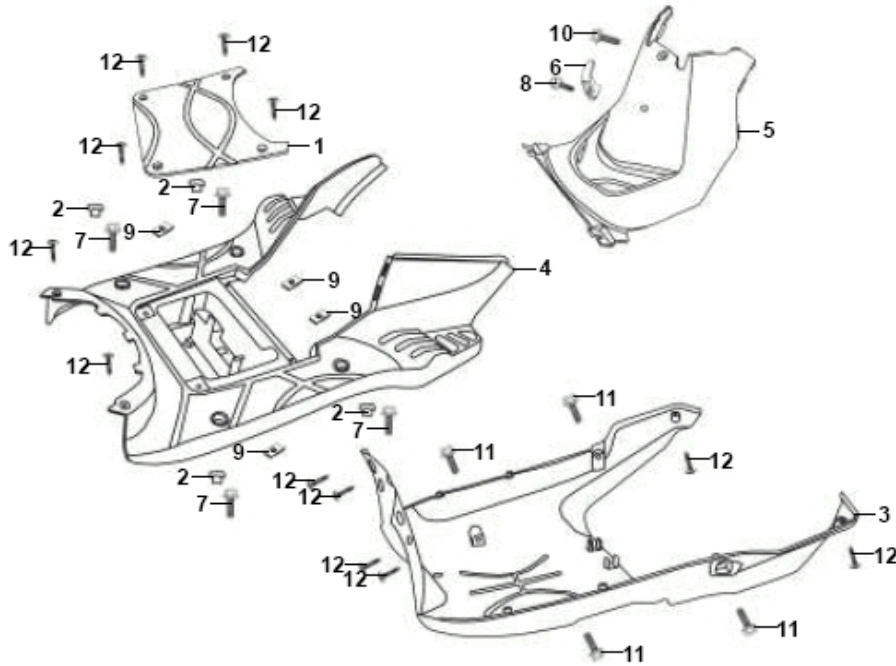
※ Please check the color & stripe information according to the color index !



Pictures reference only

PARTS NUMBER	DESCRIPTION	QTY	EFFECTIVE DATE
1 64301-AAA-000-BP	Blue FR. COVER (BU289)	1	
1-1 87124-ABA-000-T2	Blue FR. COVER R STRIPE TYPE2	1	
1-2 87125-ABA-000-T2	Blue FR. COVER L STRIPE TYPE2	1	
1 64301-AAA-000-KC	Black FR. COVER (BK001)	1	
1-1 87124-ABA-000-T3	Black FR. COVER R STRIPE TYPE3	1	
1-2 87125-ABA-000-T3	Black FR. COVER L STRIPE TYPE3	1	
1 64301-AAA-000-RD	Red FR. COVER (R010CA)	1	
1-1 87124-ABA-000-T1	Red FR. COVER R STRIPE TYPE1	1	
1-2 87125-ABA-000-T1	Red FR. COVER L STRIPE TYPE1	1	
1 64301-AAA-000-SB	Silver FR. COVER (S880)	1	
1-1 87124-ABA-000-T3	Silver FR. COVER R STRIPE TYPE3	1	
1-2 87125-ABA-000-T3	Silver FR. COVER L STRIPE TYPE3	1	
1 64301-AAA-000-WD	White FR. COVER (WH8018P)	1	
1-1 87124-ABA-000-T3	White FR. COVER R STRIPE TYPE3	1	
1-2 87125-ABA-000-T3	White FR. COVER L STRIPE TYPE3	1	
2 64318-H6B-010	ADD FRAME NUMBER LID	1	
3 81131-AAA-000	INNER COVER A	1	
4 81132-M7Q-000	LUGGAGE HOOK	1	
5 81141-AAA-000	INNER COVER B	1	
6 90110-H6T-000	SPECIAL SCREW6*14	1	
7 90164-M9Q-000	SPECIAL SCREW 6MM	1	
8 90302-M92-000	SPRING NUT 4MM	4	
9 93404-06012-08	BOLT WASHER 6*12	2	
10 93903-25320	TAPPING SCREW 5*16	5	
11 93903-34380	TAPPING SCREW 4*12	8	
12 93903-44380	TAPPING SCREW 4*12	2	

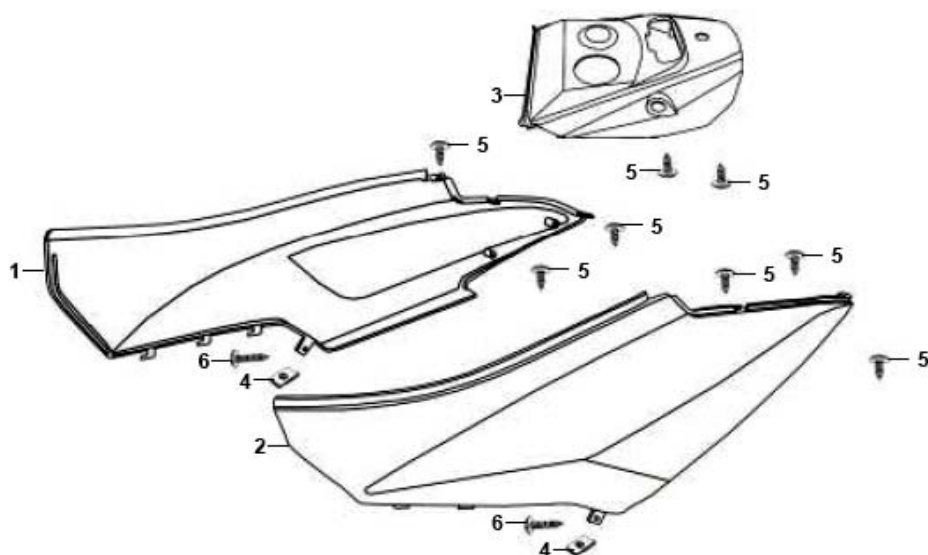
※ Please check the color & stripe information according to the color index !



Pictures reference only

PARTS NUMBER	DESCRIPTION	QTY	EFFECTIVE DATE
1 50326-AAA-000	BATTERY COVER	1	
2 50612-F02-010	CAP A FLR STEP	4	
3 50613-AAA-000	UNDER COVER	1	
4 64310-AAA-000	FLOOR PANEL	1	
5 80151-AAA-000	CENTER COVER	1	
6 81132-H12-000	LUGGAGE BOX HOOK	1	
7 90111-M9Q-800	FLANGE BOLTM6	4	
8 90115-G02-000	FLANGE BOLT 6X16	1	
9 90308-X04-000	FLANGE SPECIAL NUT 10MM	4	
10 93903-45280	TAPPING SCREW 5X12	1	
11 93404-06016-00	WASHER BOLT 6X16	4	
12 93903-44380	TAPPING SCREW	12	

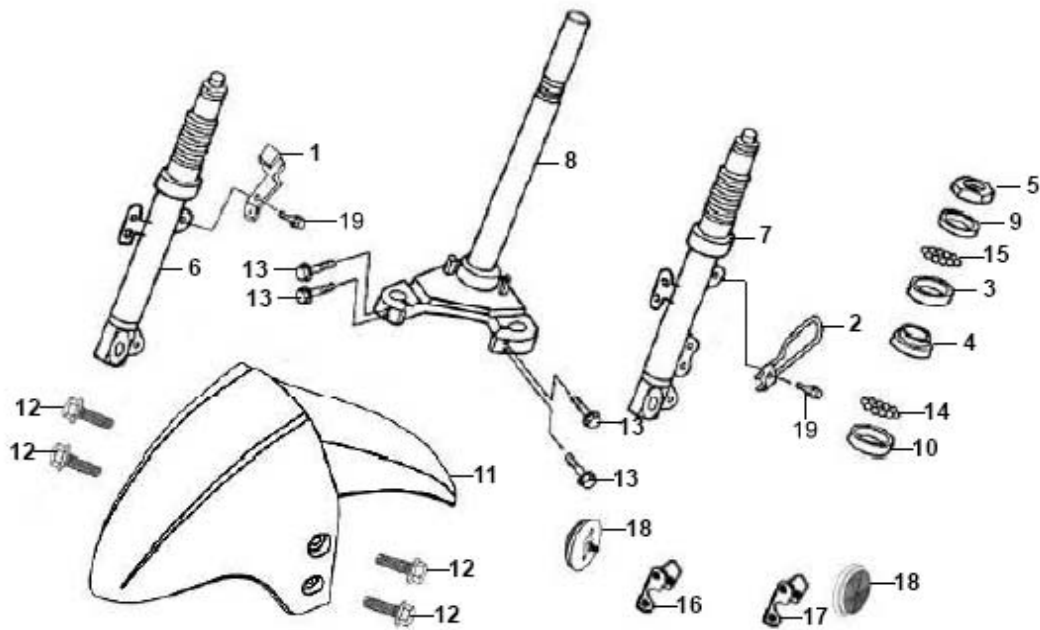
※ Please check the color & stripe information according to the color index !



Pictures reference only

PARTS NUMBER		DESCRIPTION	Q T	EFFECTI VE DATE
1	83500-AAA-000-BP	Blue RH. BODY COVER (BU289)	1	
1-1	87126-AAA-000	Blue R/L BODY COVER STRIPE	1	
1	83500-AAA-000-KC	Black RH. BODY COVER (BK001)	1	
1-1	87126-AAA-000	Black R/L BODY COVER STRIPE	1	
1	83500-AAA-000-RD	Red RH. BODY COVER (R010CA)	1	
1-1	87126-AAA-000	Red R/L BODY COVER STRIPE	1	
1	83500-AAA-000-SB	Silver RH. BODY COVER (S880)	1	
1-1	87126-AAA-000	Silver R/L BODY COVER STRIPE	1	
1	83500-AAA-000-WD	White RH. BODY COVER (WH8018P)	1	
1-1	87126-AAA-000	White R/L BODY COVER STRIPE	1	
2	83600-AAA-000-BP	Blue LH. BODY COVER (BU289)	1	
2-1	87126-AAA-000	Blue R/L BODY COVER STRIPE	1	
2	83600-AAA-000-KC	Black LH. BODY COVER (BK001)	1	
2-1	87126-AAA-000	Black R/L BODY COVER STRIPE	1	
2	83600-AAA-000-RD	Red LH. BODY COVER (R010CA)	1	
2-1	87126-AAA-000	Red R/L BODY COVER STRIPE	1	
2	83600-AAA-000-SB	Silver LH. BODY COVER (S880)	1	
2-1	87126-AAA-000	Silver R/L BODY COVER STRIPE	1	
2	83600-AAA-000-WD	White LH. BODY COVER (WH8018P)	1	
2-1	87126-AAA-000	White R/L BODY COVER STRIPE	1	
3	83750-AAA-000	RR. CENTER COVER	1	
4	90308-X04-000	FLANGE SPECIAL NUT 10MM	2	
5	93903-35320	TAPPING SCREW 5X16	8	
6	93903-45280	TAPPING SCREW 5X12	2	

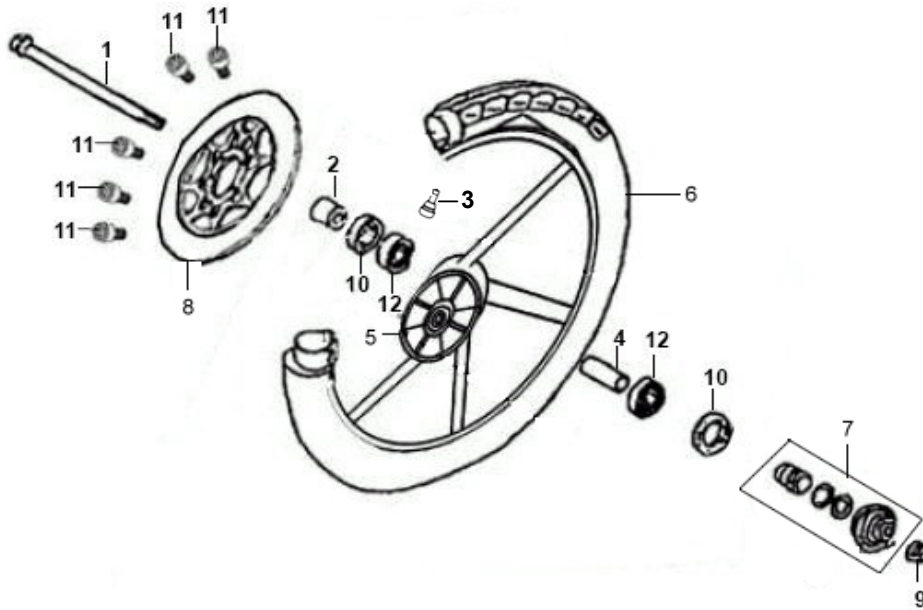
※ Please check the color & stripe information according to the color index !



Pictures reference only

PARTS NUMBER	DESCRIPTION	Q T	EFFECTI VE DATE
1 45156-AAA-000	FR. BRAKE HOSE CLAMP	1	
2 45465-AAA-000	CABLE GUIDE	1	
3 50301-M9Q-000	STRG. UP BALL RACE	1	
4 50302-M9Q-000	UNDER STRG. BALL RACE	1	
5 50306-M9Q-000	STRG. STEM LOCK NUT	1	
6 51400-AAA-000	FR. R. CUSHION	1	
7 51500-AAA-000	FR. L. CUSHION	1	
8 53200-AAA-000	STRG. STEM	1	
9 53211-M9Q-000	STRG. TOP CONE RACE	1	
10 53212-M9Q-000	STRG. BOTTOM CONE RACE	1	
11 61100-AAA-000-BP	Blue FR. FENDER COMP (BU289)	1	
11 61100-AAA-000-KC	Black FR. FENDER COMP (BK001)	1	
11 61100-AAA-000-RD	Red FR. FENDER COMP (R010CA)	1	
11 61100-AAA-000-SB	Silver FR. FENDER COMP (S880)	1	
11 61100-AAA-000-WD	White FR. FENDER COMP (WH8018P)	1	
12 90164-M9Q-000	SPECIAL SCREW 6MM	4	
13 95801-08040-00	FLANGE BOLT 8X40	4	
14 96211-05000	STEEL BALL #5	1	
15 96211-08000	STEEL BALL 8MM (1/4" BALL)	1	
16 33745-AAA-000	R. REFLECT STAY	1	
17 33755-AAA-000	L. REFLECT STAY	1	
18 33742-F3H-000	LICENSE LENS	2	

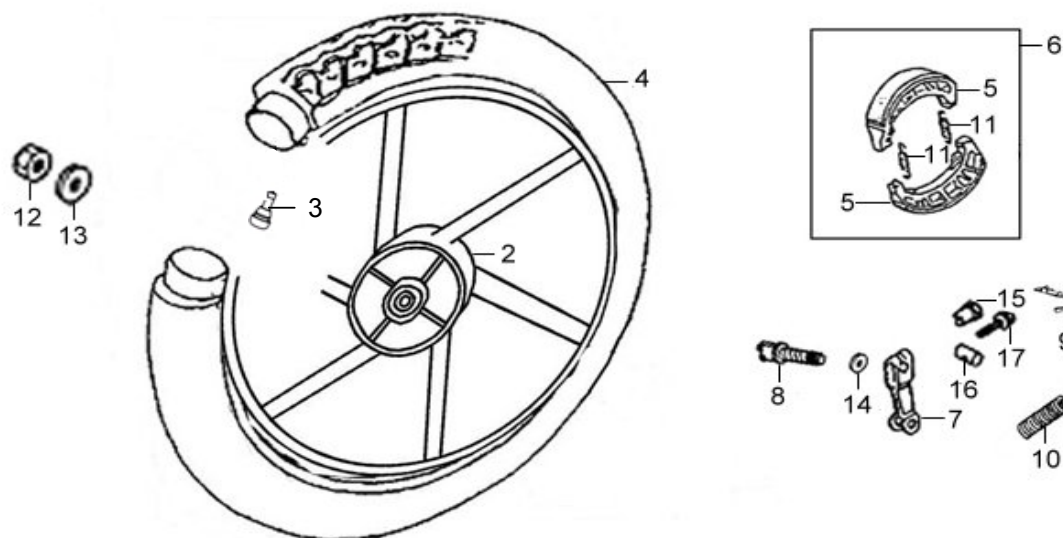
※ Please check the color & stripe information according to the color index !



Pictures reference only

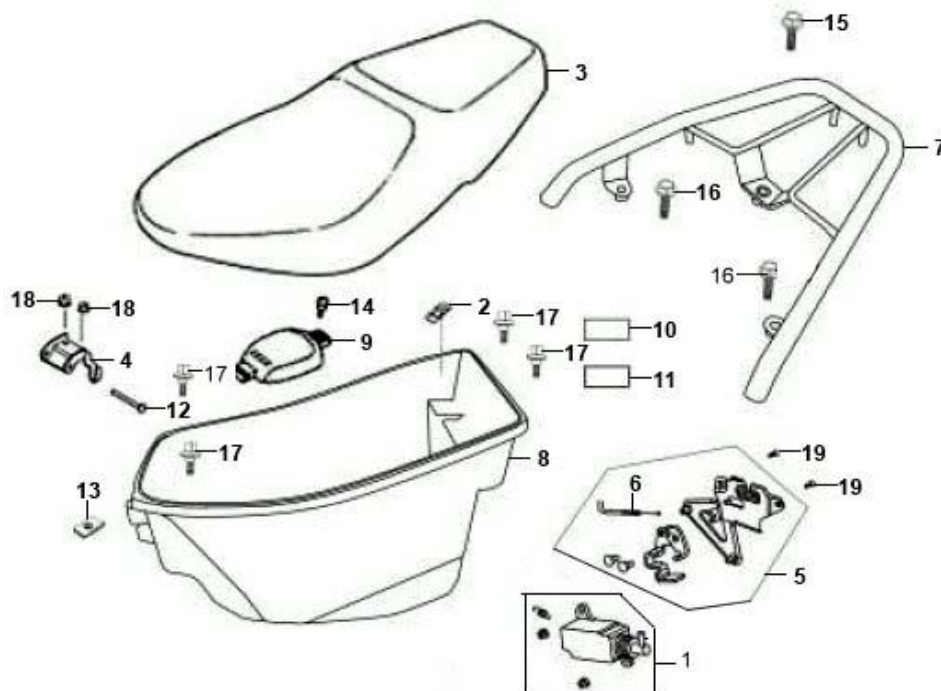
PARTS NUMBER	DESCRIPTION	Q T	EFFECTI VE DATE
1 44301-H3F-000	FR. WHEEL AXLE	1	
2 44311-GW0-910	FR. WHEEL SIDE COLLAR	1	
3 42753-ABA-000	VALVE RIM	1	
4 44620-AAA-000	FR. AXLE DISTANCE COLLAR	1	
5 44601-AAA-000	FR. WHEEL	1	
6 44710-S1B-A00	FR. TIRE SET	1	
7 44800-G22-000	SPDMT. GEAR BOX	1	
8 45121-AAA-000	FR. BRAKE DISK	1	
9 90306-M9Q-000	FLANGE N NUT	1	
10 90754-M9Q-000-M2	DUST SEAL 20X32X5	2	
11 90105-N02-000	FR. DISK BOLT 8X26	5	
12 90912-M9Q-000-M1	BEARING 6201TU/2A	2	

※ Please check the color & stripe information according to the color index !



Pictures reference only

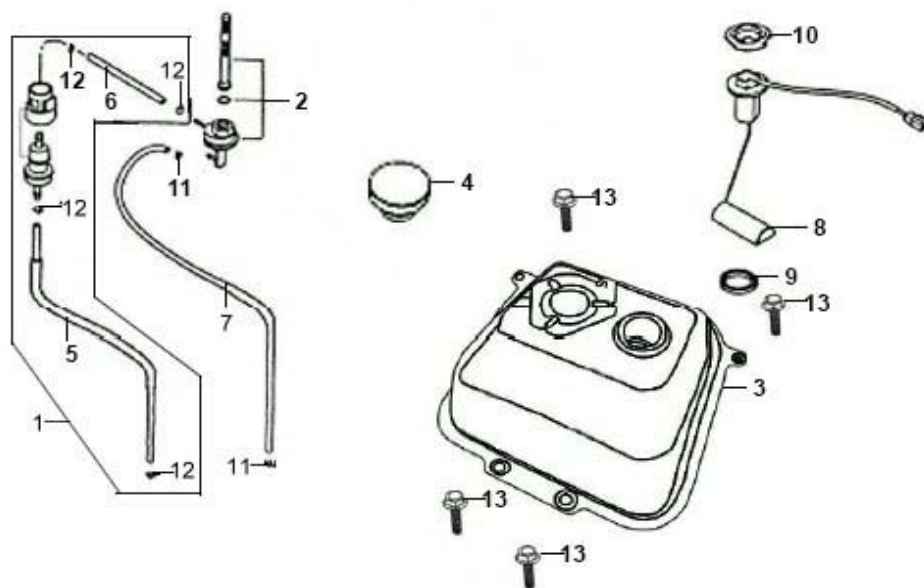
PARTS NUMBER	DESCRIPTION	QTY	EFFECTIVE DATE	
2 42601-AAA-000	RR. WHEEL CAST	1		
3 42753-ABA-000	VALVE RIM	1		
4 42710-ABA-000	RR. TIRE ASSY	1		
5 43120-Y01-E00	N/A RR BRAKE SHOE	1		
6 4312A-Y01-E00	RR. BRAKE SHOE SET	1		
7 43410-BE2-A00	RR.BRK ARM	1		
7 43410-AAA-000	RR.BRK ARM	1	2007.10.22	N
8 43141-AAA-000	RR.BRAKE ARM	1		
9 43452-M9Q-100	N/A BRK. CABLE BOOT	1		
10 43472-F01-000	SPG RR.BRK ARM	1		
11 45133-096-A00	BRK. SHOE SPRING	2		
12 90305-M9Q-900	FLANGE N NUT	1		
13 90501-M9Q-000	WASHER 16MM	1		
14 91352-M9Q-000	O RING 11.3*1.3	1		
15 95015-32001	BRAKE ARM JOINT B	1		
16 95015-42000	ADJ. NUT B	1		
17 95801-06032-00	FLANGE BOLT 6*32	1		



Pictures reference only

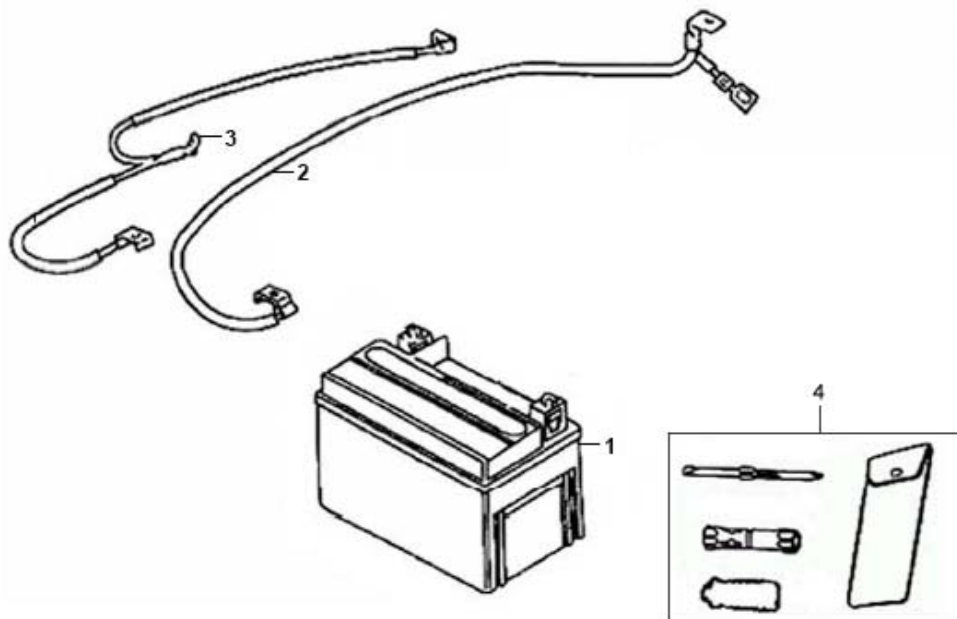
PARTS NUMBER	DESCRIPTION	Q T	EFFECTI VE DATE
1 3585A-35A-A00	START MAG. SW.	1	
2 36600-A1A-000	ENG. START CONTROL SW.	1	
3 77200-AAA-000	DOUBLE SEAT	1	
4 77201-HHA-000	SEAT HINGE COMP	1	
5 77230-AAA-000	SEAT CATCH	1	
6 77240-ABA-000	SEAT LOCK CABLE	1	
7 81200-AAA-000	RR. CARRIER	1	
8 81250-AAA-000	LUGGAGE BOX	1	
9 81251-M9Q-000	CARB. MAIN COVER	1	
10 87505-ABA-000	TIRE LABEL	1	
11 87560-E21-000	DRIVE CAUTION MARK	1	
12 90105-HHA-000	SEAT HINGE SCREW	1	
13 90308-X04-000	FLANGE SPECIAL NUT 10MM	1	
14 90381-M9Q-000	SPECIAL SCREW 6*17	1	
15 93401-08030-00	WASHER BOLT 8*30	1	
16 93401-08050-00	WASH BOLT 8*50	2	
17 93401-06012-08	WASH BOLT 6*12	4	
18 94050-06080	FLANGE NUT 6MM	2	
19 95801-06012-00	FLANGE BOLT 6*12	2	

※ Please check the color & stripe information according to the color index !



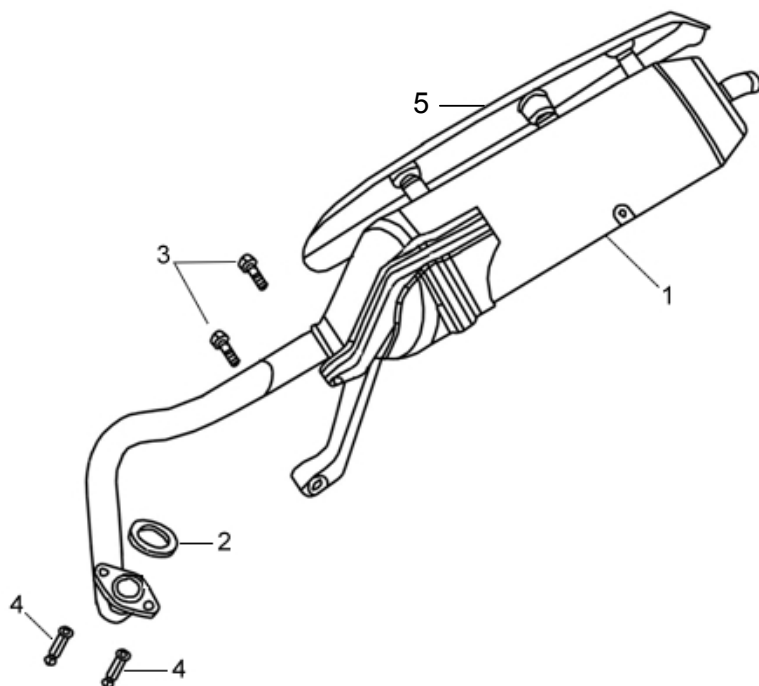
Pictures reference only

PARTS NUMBER	DESCRIPTION	Q T	EFFECTI VE DATE
1 16905-ABA-000	FUEL STRAINER ASSY.	1	
2 16950-M9Q-000	FUEL COCK ASSY	1	
3 17500-AAA-000	FUEL TANK	1	
4 17620-CT1C-A00	FUEL TANK CAP	1	
5 17682-ABA-000	FUEL TUBE ASSY	1	
6 17683-AAA-000	FUEL TANK TUBE	1	
7 17359-BE2-A00	TUBE JOINT□□□□	1	
8 37800-ABA-000	FUEL UNIT	1	
9 37801-M9Q-000	BASE PACKING	1	
10 37802-M9Q-000	RET FUEL UNIT	1	
11 95002-02070	TUBE CLIP B7	2	
12 95002-02080	TUBE CLIP B8	4	
13 95801-06012-07	FLANGE BOLT 6*12	4	



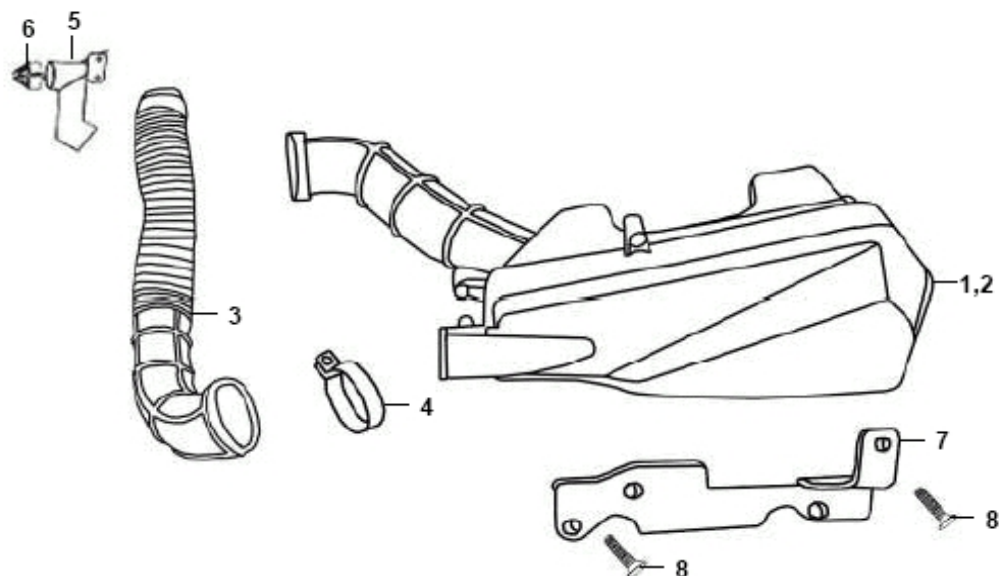
Pictures reference only

PARTS NUMBER		DESCRIPTION	Q T	EFFECTI VE DATE
1	1Y01EG1301-X	BATTERY ASSY (YTX7A-BS)	1	
2	32411-ABA-000	BATTERY CABLE	1	
3	32412-ABA-000	EARTH CABLE A	1	
4	89010-ABA-000	TOOL SET	1	



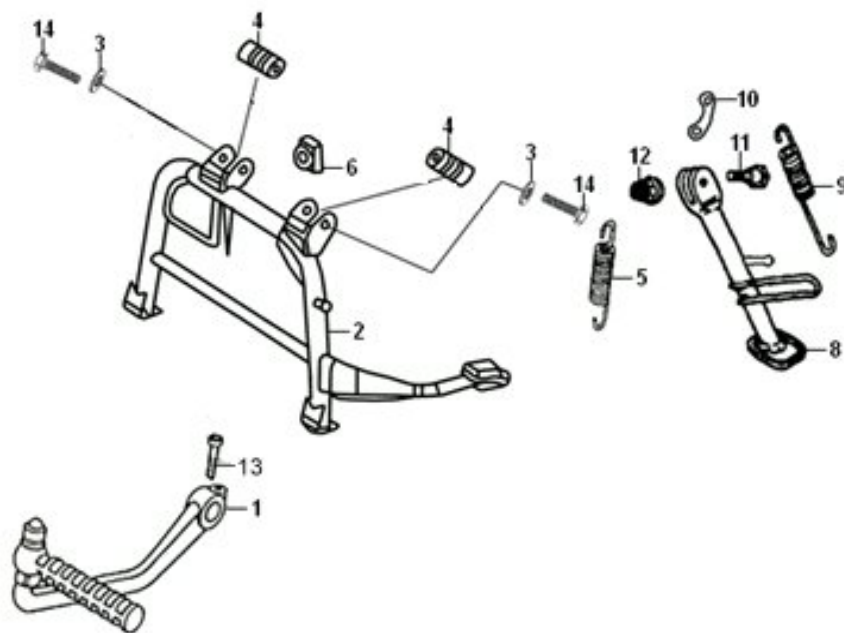
Pictures reference only

PARTS NUMBER	DESCRIPTION	Q T	EFFECTI VE DATE	
1 18300-AAA-000	EXH. MUFFLER	1		
1 18300-AAA-010	EXH. MUFFLER	1	2007.10.22	N
2 18291-H80-A00	EXH. GASKET	1		
3 90103-H6B-000	FLANGE BOLT 8X38	2		
4 90301-M9Q-000	MUFFLER JOINT NUT 6MM	2		
5 18318-KAA-000	MUFFLER PROTR COMP A	1		



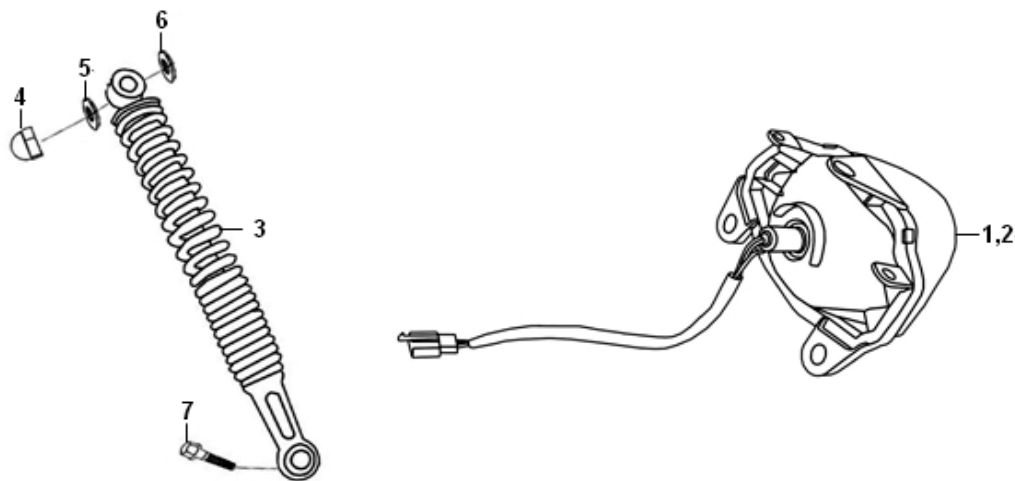
Pictures reference only

PARTS NUMBER		DESCRIPTION	Q T	EFFECTI VE DATE
1	17200-AAA-010	AIR/C	1	
2	17211-AAA-000	AIR/C. ELEMENT COMP	1	
3	17216-AAA-000	AIR/C INLET TUBE	1	
4	1134B-S1B-A00	L. COVER DUCT BAND	1	
5	17253-AAA-000	N/A AIR/C. CONNECTING TUBE	1	
6	17254-T3A-A00	N/A AIR/C. CONNECTING TUBE COVER	1	
7	61114-AAA-000	AIR/C STAY	1	
8	95801-06012-08	BOLT FLANGE 6*12	2	



Pictures reference only

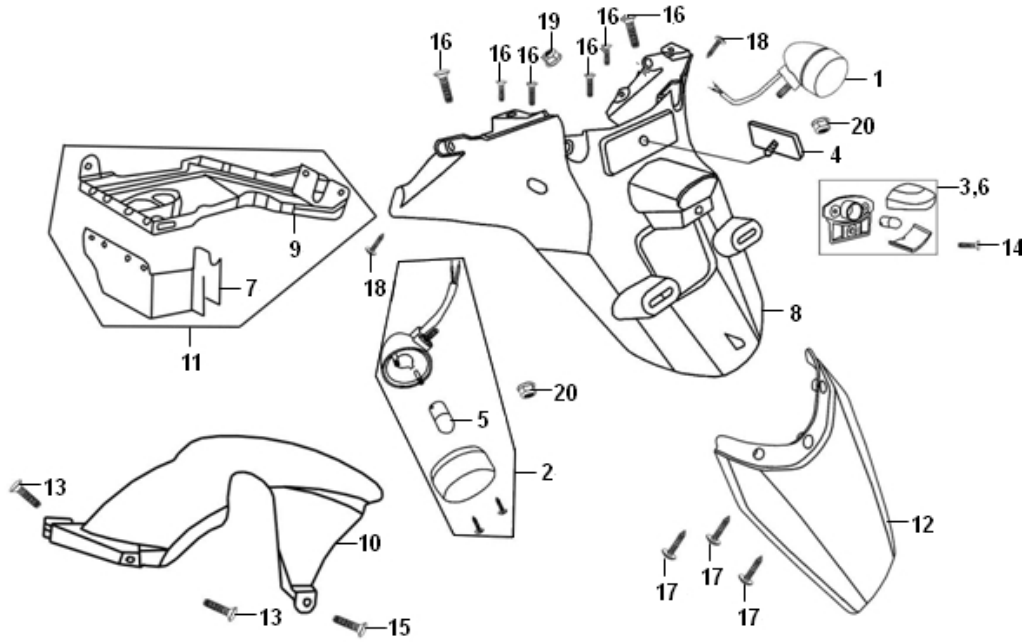
PARTS NUMBER	DESCRIPTION	Q T	EFFECTI VE DATE
1 28300-S1B-A00	KICK STARTER ARM	1	
2 50500-AAA-000	MAIN STAND	1	
3 50503-A5C-000	MAIN STAND WASHER	2	
4 50504-A5C-000	MAIN STAND COLLAR	2	
5 50505-E60-000	MAIN STAND SPG.	1	
6 50506-AAA-000	MAIN STAND STOP RUBBER	1	
8 50530-ABA-000	SIDE STAND	1	
9 50535-E60-000	SIDE STAND SPG.	1	
10 50542-E60-000	SPRING PLATE HOOK	1	
11 90108-G03-000	SIDE STAND PIVOT SCREW	1	
12 94030-08000	HEX NUT 8MM	1	
13 95801-06022-07	FLANGE BOLT 6X22	1	
14 95801-08050-07	FLANGE BOLT 8X50	2	



Pictures reference only

PARTS NUMBER		DESCRIPTION	Q T	EFFECTI VE DATE
1	33700-ABA-000	TAIL LIGHT	1	
2	34906-268-600	TAIL LIGHT & STOP BULB	1	
3	52400-AAA-000	RR. CUSHION	1	
4	94050-10080	FLANGE NUT 10MM	1	
5	94101-10000	PLAIN WASHER 10MM	1	
6	94101-12000	PLAIN WASHER 12MM	1	
7	95801-08035-00	FLANGE BOLT 8*35	1	

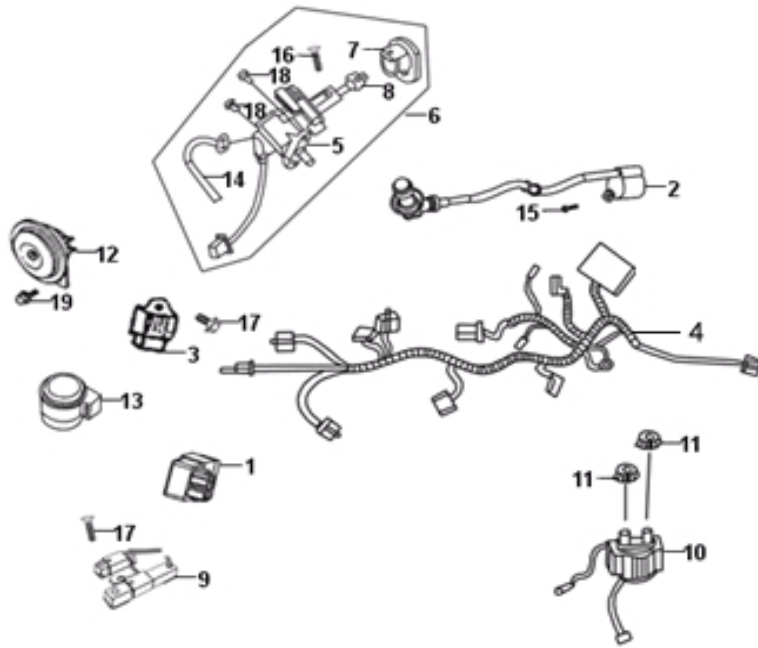
※ Please check the color & stripe information according to the color index !



Pictures reference only

PARTS NUMBER		DESCRIPTION	Q T	EFFECTI VE DATE
1	33600-ABA-000	RR. R. WINKER	1	
2	33650-ABA-000	RR. L. WINKER	1	
3	33740-ABA-000	LICENSE LIGHT	1	
4	33741-N7B-E10	RR. FEFLEX REFLECTOR	1	
5	34905-A8D-000	WINKER BULB(12V10W E MARK)	2	
6	34908-M70-000	POSITION BULB 12V-5W (E)	1	
7	80104-AAA-000	SPLASH BOARD PLATE	1	
8	80105-ABA-000	RR. FENDER	1	
9	80106-AAA-000	RR. INNER FENDER	1	
10	80107-AAA-100	RR. MUDGUARD	1	
11	8010B-AAA-000	N/A INNER FENDER ASS'Y	1	
12	80110-AAA-000	RR. FENDER MUDGUARD B	1	
13	90111-M9Q-800	FLANGE BOLTM6	2	
14	93891-05014-07	WASHER SCREW 5X14	1	
15	93903-34380	TAPPING SCREW 4X12	1	
16	93903-35220	SCREW TAPPING 5X12	6	
17	93903-35280	TAPPING SCREW 5X12	3	
18	93903-44380	TAPPING SCREW	2	
19	94050-05070	FLANGE NUT 5MM	1	
20	94050-05080	FLANGE NUT M5	2	

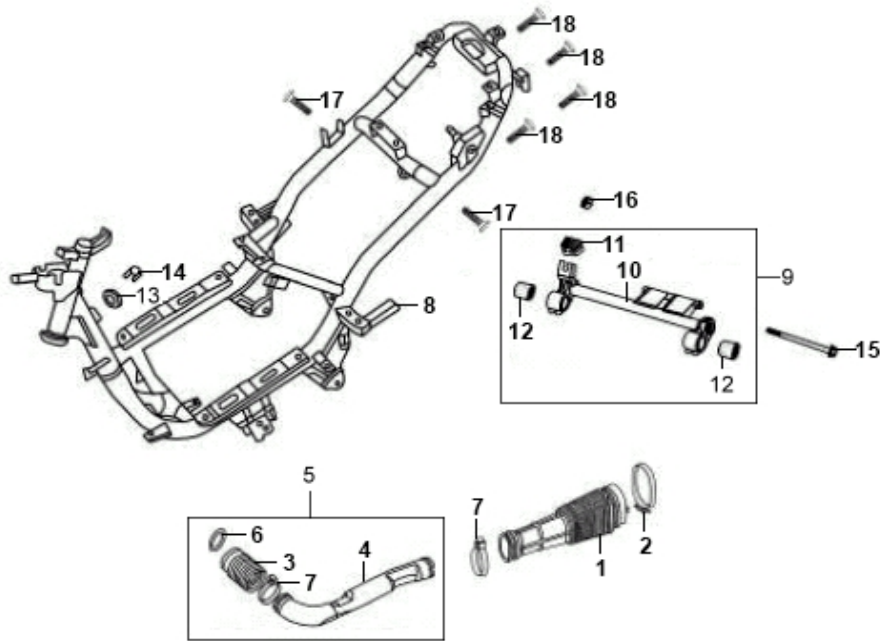
※ Please check the color & stripe information according to the color index !



Pictures reference only

PARTS NUMBER		DESCRIPTION	Q T	EFFECTI VE DATE
1	30410-AAC-000	CDI UNIT	1	
2	3051A-T3D-B00	IGN. COIL	1	
3	31600-CT3-A00	REG. REC. COMP.	1	
4	32100-AAA-000	WIRE HARNESS	1	
5	35010-ABA-000	KEY COMP.	1	
6	35100-ABA-000	N/A COMB SW AND LOCK ASS'Y	1	
7	35110-ABA-000	RING	1	
8	35111-TAA-100	N/A KEY	1	
8	35111-TAA-100-A	REVISED KEY	1	
8	35111-TAA-100-B	REVISED KEY	1	
9	35400-T3D-A00	RESISTOR COMP.	1	
10	3585A-35A-A00	START MAG. SW	1	
11	35859-M9Q-000	MAG. SW. NUT	2	
12	38110-ABA-000	HIRN COMP.	1	
13	38300-T40-010	WINKER RELAY	1	
14	77240-ABA-000	SEAT LOCK CABLE	1	
15	90112-M9Q-000	FLANGE BOLT 5*22	1	
16	93891-05008-08	WASHER SCREW 5*8	1	
17	95801-06016-08	FLANGE BOLT 6*16	2	
18	95801-06018-08	FLANGE BOLT 6*18	2	
19	95801-08012-08	FLANGE BOLT 8*12	1	

※ Please check the color & stripe information according to the color index !



Pictures reference only

PARTS NUMBER		DESCRIPTION	Q T	EFFECTI VE DATE
1	11345-AAA-000	L. COVER DUCT	1	
2	1134B-S1B-A00	L. COVER DUCT BAND	1	
3	11347-VS1-000	N/A L. COVER DUCT B	1	
4	11348-VS1-000	N/A L. COVER DUCT JOINT	1	
5	1134B-VS1-000	L. COVER DUCT ASS'Y	1	
6	17242-M9Q-000	AIR/C DUCT BAND	1	
7	95014-62200	WIRE BAND B2	2	
8	50100-AAA-000	FRAME BODY	1	
9	50350-AAA-000	N/A ENG. HANGER LINK ASSY	1	
10	50351-AAA-000	ENG. HANGER LINK	1	
11	50352-A1A-000	LINK STOPPER RUBBER	1	
12	50353-M9Q-000	SWING LOCK BUSH	2	
13	64306-H12-020	INNER BOX SPONGE	1	
14	64307-M9Q-800	PIPE END CAP	1	
15	90105-M9Q-800	FLANGE BOLT 10X184	1	
16	90304-M9Q-000	FLANGE N NUT	1	
17	93401-06012-08	WASH BOLT 6X12	2	
18	93404-06012-07	WASHER BOLT 6X12	4	

※ Please check the color & stripe information according to the color index !

PARTS NO.	NO.	PARTS NO.	NO.	PARTS NO.	NO.
11000		14100-BE2-A00	E04	17682-ABA-000	F13
11100-BE2-A00	E15	1443K-BE2-A00	E04	17683-AAA-000	F13
11100-BE2-A02	E15	14450-BE2-A00	E04	17910-AAA-000	F03
11102-BE2-A00	E15	14452-BE2-A00	E04	18000	
11192-BE2-A00	E15	14510-BE2-A00	E05	18291-H80-A00	F16
11200-BE2-A00	E15	14520-BE2-A00	E05	18300-AAA-000	F16
11203-GC7-300	E15	14523-BE2-A00	E05	18300-AAA-010	F16
11203-KM1-310	E14	14531-GR0-000	E05	18318-KAA-000	F16
11331-BE2-A00	E07	1453A-V02-000	E05	18647-M9Q-000	E02
11341-BE2-A00	E11	14610-BE2-A00	E05	19000	
11345-AAA-000	F21	14711-BE2-A00	E03	19510-BE2-A00	E08
11347-VS1-000	F21	14721-BE2-A00	E03	19613-M9Q-000	E01
11348-VS1-000	F21	14751-GN5-911-KD	E03	1961A-BE2-A00	E01
1134B-S1B-A00	F15	14771-GB4-680	E03	19625-BE2-A00	E01
1134B-S1B-A00	F21	14775-MA6-000	E03	1962A-BE2-A00	E01
1134B-VS1-000	F21	14781-MA6-000-A	E03	19632-BE2-A00	E01
11381-GY6-940	E11	15000		19633-BE2-A00	E01
11382-BE2-A00	E11	15100-BE2-A00	E09	1963A-BE2-A00	E01
11384-BE2-A00	E01	15421-H66-000	E07	21000	
11394-BE2-A00	E07	15426-GE1-920	E07	21301-BE2-A00	E14
11395-BE2-A00	E11	1565A-V02-000	E07	21395-BE2-A00	E14
12000		16000		22000	
12101-BE2-A00	E06	16100-AAA-000	E02	22101-BE2-A00	E13
12191-BE2-A00	E06	16100-AAB-000	E02	22102-BE2-A00	E12
12200-BE2-A00	E03	16211-BE2-A00	E03	22103-BE2-A00	E12
12209-GB4-681	E03	16905-ABA-000	F13	22105-BE2-A00	E12
1220A-BE2-A00	E03	16950-M9Q-000	F13	22106-AAB-000	E12
12211-BE2-A00	E04	17000		22110-BE2-A00	E12
12237-BE2-A00	E03	17110-BE2-A00	E03	22112-BE2-A00	E12
12251-BE2-A00	E03	1711A-BE2-A00	E03	2211A-BE2-A00	E12
12301-BE2-A00	E02	17200-AAA-010	F15	22121-AAC-000-A	E12
12302-BE2-A00	E02	17211-AAA-000	F15	22131-BE2-A00	E12
1236A-V02-000	E07	17216-AAA-000	F15	22132-BE2-A00-A	E12
12391-BE2-A00	E02	17242-M9Q-000	F21	22300-BE2-A00	E13
13000		17253-AAA-000	F15	22350-BE2-A00	E13
13000-BE2-A00	E16	17254-T3A-A00	F15	22361-BE2-A00	E13
13010-BE2-A00	E16	17256-BE2-A00	E03	22401-BE2-A00	E13
13101-BE2-A00	E16	17359-BE2-A00	F13	22530-BE2-A00-A	E13
13111-BE2-A00	E16	17500-AAA-000	F13	22804-BE2-A00	E13
14000		17620-CT1C-A00	F13	23000	

PARTS NO.	NO.		PARTS NO.	NO.		PARTS NO.	NO.	
23010-BE2-A00	E13		33450-ABA-000	F05		37224-AAA-001	F02	
23200-BE2-A00	E13		33600-ABA-000	F19		37800-ABA-000	F13	
23210-BE2-A00	E13		33650-ABA-000	F19		37801-M9Q-000	F13	
23220-BE2-A00	E13		33700-ABA-000	F18		37802-M9Q-000	F13	
23225-BE2-A00	E13		33740-ABA-000	F19		38000		
23226-M9Q-000	E13		33741-N7B-E10	F19		38110-ABA-000	F20	
23233-BE2-A00	E13		33742-F3H-000	F09		38300-T40-010	F20	
23237-BE2-A00	E13		33745-AAA-000	F09		42000		
23238-BE2-A00	E13		33755-AAA-000	F09		42601-AAA-000	F11	
23411-BE2-A00	E14		34000			42710-ABA-000	F11	
23420-BE2-A00	E14		34901-X06-000	F01		42753-ABA-000	F10	
23431-BE2-A00	E14		34905-A8D-000	F05		42753-ABA-000	F11	
23432-BE2-A00	E14		34905-A8D-000	F19		43000		
2343A-BE2-A00	E14		34906-268-600	F18		43120-Y01-E00	F11	
28000			34908-M70-000	F19		4312A-Y01-E00	F11	
2812A-BE2-A00	E10		34908-M9Q-100	F01		43141-AAA-000	F11	
28221-BE2-A00	E12		34908-MB9-871	F02		43410-AAA-000	F11	
28223-BE2-A00	E12		35000			43410-BE2-A00	F11	
28230-BE2-A00	E12		35010-ABA-000	F20		43450-AAA-000	F03	
2823A-BE2-A00	E12		35100-ABA-000	F20		43452-M9Q-100	F11	
28250-BE2-A00	E12		35110-ABA-000	F20		43472-F01-000	F11	
28254-BE2-A00	E12		35111-TAA-100	F20		44000		
28281-BE2-A00	E12		35111-TAA-100-A	F20		44301-H3F-000	F10	
28300-S1B-A00	F17		35111-TAA-100-B	F20		44311-GW0-910	F10	
30000			35150-M9F-A00	F05		44601-AAA-000	F10	
30410-AAC-000	F20		35160-M9Q-000	F05		44620-AAA-000	F10	
3051A-T3D-B00	F20		35170-M9Q-000	F05		44710-S1B-A00	F10	
31000			35180-M9Q-000	F05		44800-G22-000	F10	
31100-AAA-A00	E08		35200-M9Q-000	F05		44830-ABA-000	F02	
31110-BE1-A00	E08		35340-M92-000	F03		45000		
31120-AAA-A00	E08		35340-M92-000	F04		45100-T6R-900	F04	
31200-BE1-A00	E10		35400-T3D-A00	F20		45105-G22-900-A	F04	
31600-CT3-A00	F20		35859-M9Q-000	F20		45121-AAA-000	F10	
32000			3585A-35A-A00	F12		45126-AAA-000	F04	
32100-AAA-000	F20		3585A-35A-A00	F20		45133-096-A00	F11	
32411-ABA-000	F14		36000			45156-AAA-000	F09	
32412-ABA-000	F14		36600-A1A-000	F12		45465-AAA-000	F09	
33000			37000			4550A-AAA-000	F04	
33100-ABA-000	F01		37200-AAA-000	F02		50000		
33400-ABA-000	F05		37204-ABA-000	F02		50100-AAA-000	F21	

PARTS NO.	NO.	PARTS NO.	NO.	PARTS NO.	NO.
50301-M9Q-000	F09	53211-M9Q-000	F09	81200-AAA-000	F12
50302-M9Q-000	F09	53212-M9Q-000	F09	81250-AAA-000	F12
50306-M9Q-000	F09	61000		81251-M9Q-000	F12
50326-AAA-000	F07	61100-AAA-000-BP	F09	83000	
50350-AAA-000	F21	61100-AAA-000-KC	F09	83500-AAA-000-BP	F08
50351-AAA-000	F21	61100-AAA-000-RD	F09	83500-AAA-000-KC	F08
50352-A1A-000	F21	61100-AAA-000-SB	F09	83500-AAA-000-RD	F08
50353-M9Q-000	F21	61100-AAA-000-WD	F09	83500-AAA-000-SB	F08
50500-AAA-000	F17	61114-AAA-000	F15	83500-AAA-000-WD	F08
50503-A5C-000	F17	64000		83600-AAA-000-BP	F08
50504-A5C-000	F17	64301-AAA-000-BP	F06	83600-AAA-000-KC	F08
50505-E60-000	F17	64301-AAA-000-KC	F06	83600-AAA-000-RD	F08
50506-AAA-000	F17	64301-AAA-000-RD	F06	83600-AAA-000-SB	F08
50530-ABA-000	F17	64301-AAA-000-SB	F06	83600-AAA-000-WD	F08
50535-E60-000	F17	64301-AAA-000-WD	F06	83750-AAA-000	F08
50542-E60-000	F17	64306-H12-020	F21	87000	
50612-F02-010	F07	64307-M9Q-800	F21	87124-ABA-000-T1	F06
50613-AAA-000	F07	64310-AAA-000	F07	87124-ABA-000-T2	F06
51000		64318-H6B-010	F06	87124-ABA-000-T3	F06
51400-AAA-000	F09	70000		87124-ABA-000-T3	F06
51500-AAA-000	F09	70529-657-670	E01	87125-ABA-000-T1	F06
52000		77000		87125-ABA-000-T2	F06
52400-AAA-000	F18	77200-AAA-000	F12	87125-ABA-000-T3	F06
53000		77201-HHA-000	F12	87125-ABA-000-T3	F06
53100-ABA-000	F03	77230-AAA-000	F12	87125-ABA-000-T3	F06
53125-M9Q-000	F03	77240-ABA-000	F12	87126-AAA-000	F08
53140-S1F-A00	F03	77240-ABA-000	F20	87126-AAA-000	F08
53166-S1F-A00	F03	80000		87126-AAA-000	F08
53167-H09-A00	F03	80104-AAA-000	F19	87126-AAA-000	F08
53168-H09-A00	F03	80105-ABA-000	F19	87126-AAA-000	F08
53175-AAA-000	F04	80106-AAA-000	F19	87126-AAA-000	F08
53175-VN3-000	F04	80107-AAA-100	F19	87126-AAA-000	F08
5317A-GAK-V00	F03	8010B-AAA-000	F19	87126-AAA-000	F08
53200-AAA-000	F09	80110-AAA-000	F19	87126-AAA-000	F08
53205-AAA-000-BP	F05	80151-AAA-000	F07	87126-AAA-000	F08
53205-AAA-000-KC	F05	81000		87126-AAA-000	F08
53205-AAA-000-RD	F05	81131-AAA-000	F06	87170-C2F-A00-T2	F05
53205-AAA-000-SB	F05	81132-H12-000	F07	87170-C2F-A00-T2	F05
53205-AAA-000-WD	F05	81132-M7Q-000	F06	87170-C2F-A00-T2	F05
53206-AAA-000	F05	81141-AAA-000	F06	87170-C2F-A00-T3	F05

MODEL:AV05W-D PARTS NO. INDEX 2008.01

PARTS NO.	NO.	PARTS NO.	NO.	PARTS NO.	NO.
87170-C2F-A00-T3	F05	90308-X04-000	F12	93401-08050-00	F12
87505-ABA-000	F12	90381-M9Q-000	F12	93404-06012-07	F21
87560-E21-000	F12	90441-BE2-A00	E08	93404-06012-08	F06
88000		90441-BE2-A00	E13	93404-06016-00	F07
88110-KAA-000	F05	90443-BE2-A00	E04	93500-05025-08	F03
88120-KAA-000	F05	90451-M9Q-000	E12	93891-05008-08	F20
89000		90474-333-000-KD	E14	93891-05014-07	F19
89010-ABA-000	F14	90501-M9Q-000	F11	93903-25320	F06
90000		90545-M9Q-000	F04	93903-34380	F06
90012-333-000	E04	90605-BE2-A00	E13	93903-34380	F19
90031-BE2-A00	E15	90702-VA2-000	E03	93903-35220	F19
90032-BE2-A00	E15	90702-VA2-000	E04	93903-35280	F19
90032-M9Q-300	E03	90702-VA2-000	E06	93903-35320	F01
90032-M9Q-300	E03	90754-M9Q-000-M2	F10	93903-35320	F02
90033-V02-000	E03	90912-M9Q-000-M1	F10	93903-35320	F03
90103-H6B-000	F16	91000		93903-35320	F05
90103-KN8-000	E14	91001-BE2-A00	E13	93903-35320	F08
90105-HHA-000	F12	91002-BE2-A00	E13	93903-44380	F06
90105-M9Q-800	F21	91201-BE2-A00	E07	93903-44380	F07
90105-N02-000	F10	91201-BE2-A00	E15	93903-44380	F19
90106-TAA-000	F03	91202-BE2-A00	E14	93903-45280	F07
90108-G03-000	F17	91211-BE2-A00	E13	93903-45280	F08
90110-H6T-000	F06	91255-GE0-003	E15	93904-35380	E01
90111-M9Q-800	F07	91301-BE2-A00	E03	94000	
90111-M9Q-800	F19	91301-GR0-003-KD	E05	94001-05070-0S	F03
90112-M9Q-000	F20	91301-M7Q-000	E14	94001-12000	E12
90115-G02-000	F07	91302-M9Q-000	E07	94030-08000	F17
90115-M9Q-000	F03	91305-M9Q-000	E03	94050-05070	F19
90145-M9Q-000	F04	91307-035-000	E07	94050-05080	F05
90164-M9Q-000	F06	91309-BE2-A00	E10	94050-05080	F19
90164-M9Q-000	F09	91352-M9Q-000	F11	94050-06080	E03
90202-187-000	E13	91384-BE2-A00	E13	94050-06080	F12
90206-001-000	E04	91981-KN7-670	E10	94050-07080	E04
90301-M9Q-000	F16	92000		94050-10080	E08
90302-M92-000	F06	92101-05012-0A	E08	94050-10080	E13
90304-M9Q-000	F21	92800-1200A	E15	94050-10080	F03
90305-M9Q-900	F11	93000		94050-10080	F18
90306-M9Q-000	F10	93401-06012-08	F12	94101-10000	F18
90308-X04-000	F07	93401-06012-08	F21	94101-12000	F18
90308-X04-000	F08	93401-08030-00	F12	94102-12800	E12

PARTS NO.	NO.		PARTS NO.	NO.		PARTS NO.	NO.	
94109-12000	E15		96001-06035-00	E11				
94301-08110	E09		96001-06040-08	E11				
94301-08140	E07		96001-06050-08	E15				
94301-08140	E11		96001-06085-08	E03				
94301-08140	E15		96001-06085-08	E07				
94301-10160	E14		96001-06100-08	E07				
94510-20000	E14		96100-60040-00	E14				
94520-24000	E13		96100-62010-00	E14				
94601-13000	E16		96100-62010-00	E15				
95000			96100-62030-00	E15				
95002-02070	F13		96100-63030-00	E15				
95002-02080	F13		96211-05000	F09				
95014-62200	F21		96211-08000	F09				
95015-32001	F11		DRIVE BELT					
95015-42000	F11		1B01BE201	E13				
95701-06025-08	E02		CAM CHAIN					
95701-08035-00	E14		1C14401-BE2-A00	E05				
95701-08040-00	E14		SPARK PLUG					
95801-06012-00	F12		1PCR7HSA-3	E03				
95801-06012-07	F13		BATTERY					
95801-06012-08	F15		1Y01EG1301-X	F14				
95801-06016-08	F20							
95801-06018-08	F20							
95801-06022-07	F04							
95801-06022-07	F17							
95801-06032-00	F11							
95801-08012-08	F20							
95801-08035-00	F18							
95801-08040-00	F09							
95801-08050-07	F17							
96000								
96001-06018-08	E05							
96001-06018-08	E08							
96001-06020-00	E08							
96001-06022-08	E02							
96001-06022-08	E09							
96001-06022-08	E10							
96001-06025-08	E01							
96001-06025-08	E02							
96001-06025-08	E09							