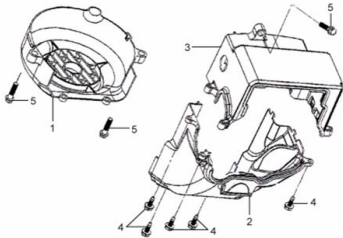
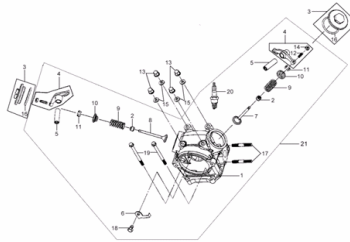


# CONTENTS—ENGINE GROUP

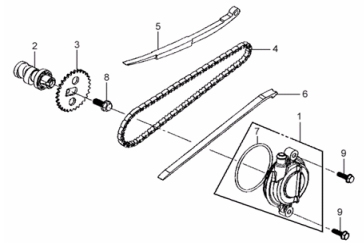
**E01 SHROUD ASSY**



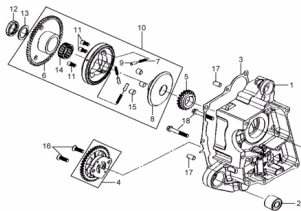
**E02 CYLINDER HEAD**



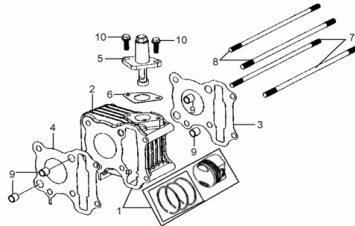
**E03 CAM SHAFT&CYL. HEAD  
L. SIDE COVER**



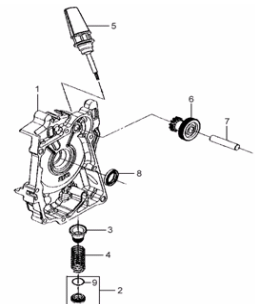
**E04 R CRANK CASE  
& OIL PUMP ASSY**



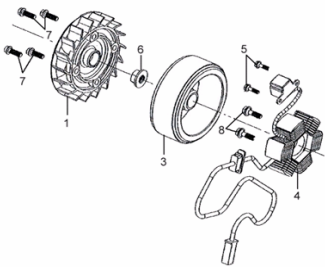
**E05 CYLINDER**



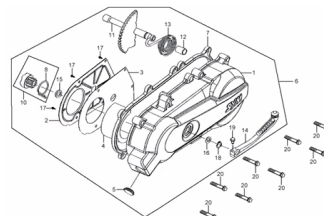
**E06 R. CRANK CASE COVER**



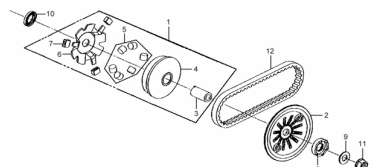
**E07 AC GEN. ASSY**



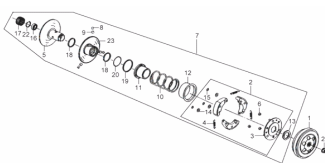
**E08 L. CRANK CASE COVER**



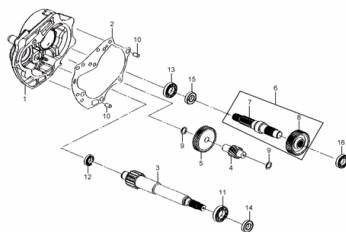
**E09 MOVABLE DRIVE  
FACE ASS'Y**



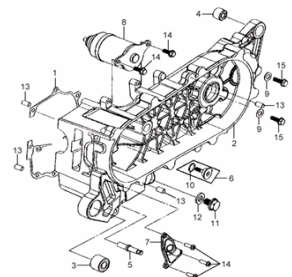
**E10 DRIVEN PULLEY ASS'Y**



**E11 MISSION CASE  
& DRIVE SHAFT**

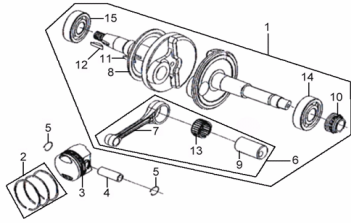


**E12 L. CRANK CASE**

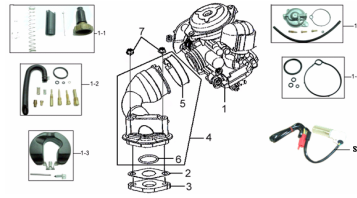


# CONTENTS-ENGINE GROUP

## E13 CRANK ASSY

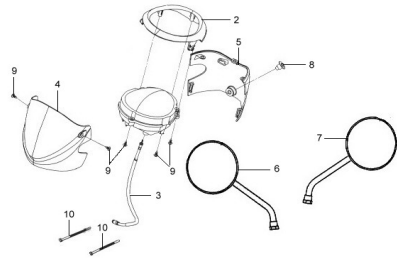


## E14 CARBURETOR ASSY

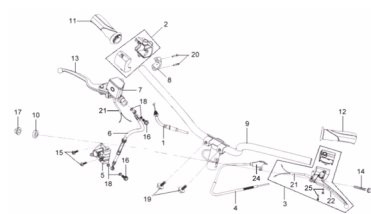


# CONTENTS-FRAME GROUP

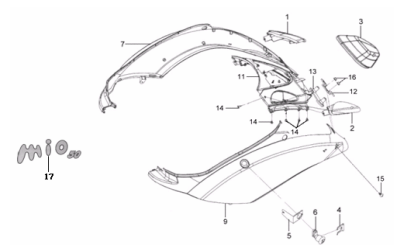
**F01 HANDLE COVER  
BACK MIRROR**



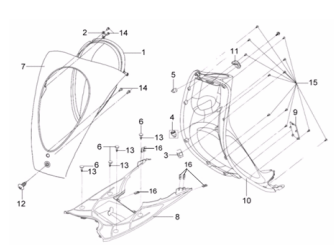
**F02 STEERING HANDLE  
ASSY**



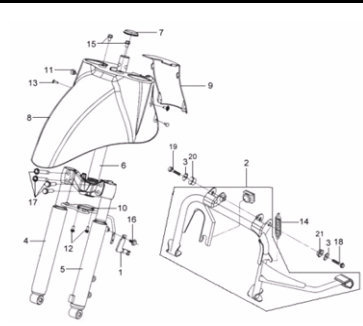
**F03 BODY COVER-TAIL LIGHT**



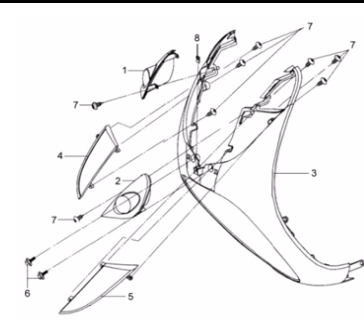
**F04 FR COVER ASSY.  
HEAD LIGHT**



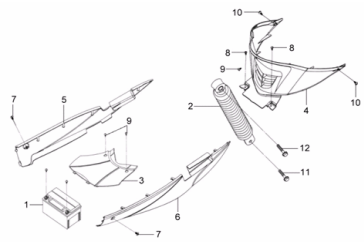
**F05 FR. FORK ASSY**



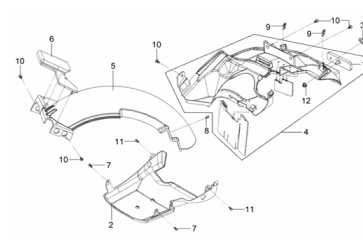
**F06 FR UND. SPOILER-  
FR R/L WINKER**



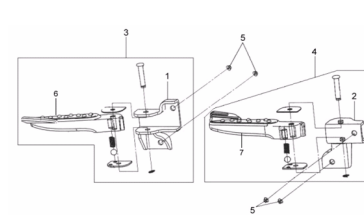
**F07 RR. CUSHION-  
SIDE COVER**



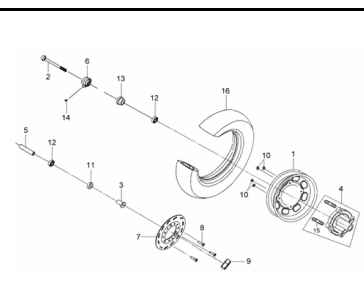
**F08 RR. FENDER-  
UNDER COVER**



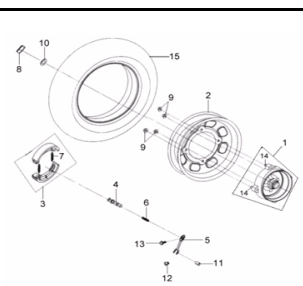
**F09 R/L PILLION STEP**



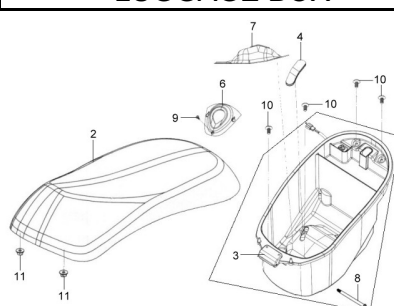
**F10 FR WHEEL ASSY**



**F11 RR. WHEEL ASSY**

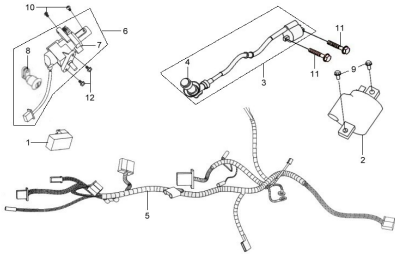


**F12 DOUBLE SEAT  
LUGGAGE BOX**

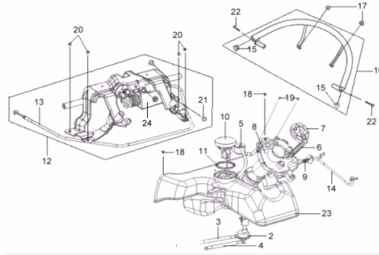


# CONTENTS-FRAME GROUP

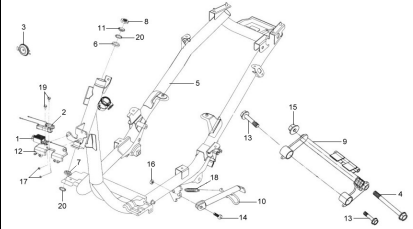
**F13 C.D.I. UNIT  
WIRE HARNESS**



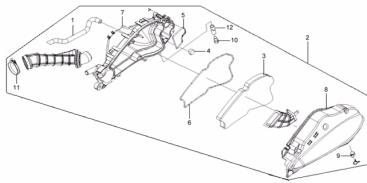
**F14 FUEL TANK-RR. GRIP**



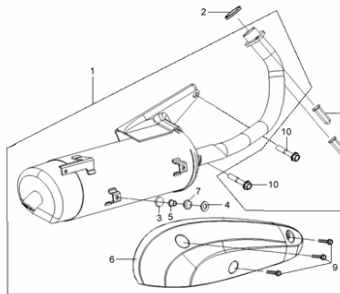
**F15 FRAME BODY  
ENGINE HANGER**



**F16 AIR CLEANER ASSY.**



**F17 MUFFLER ASSY.**

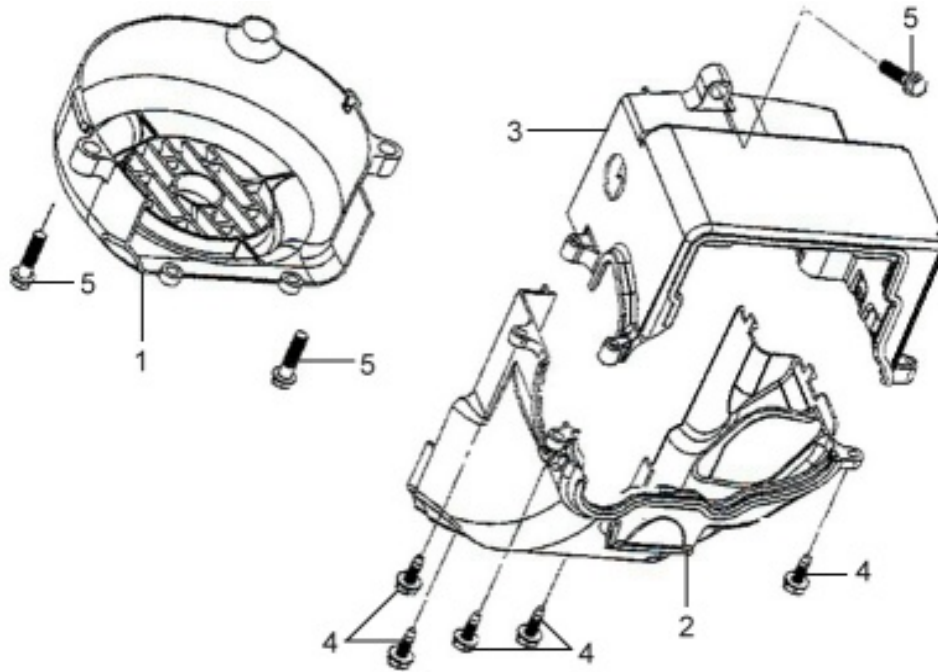


**COLOR INDEX**



**INDEX**

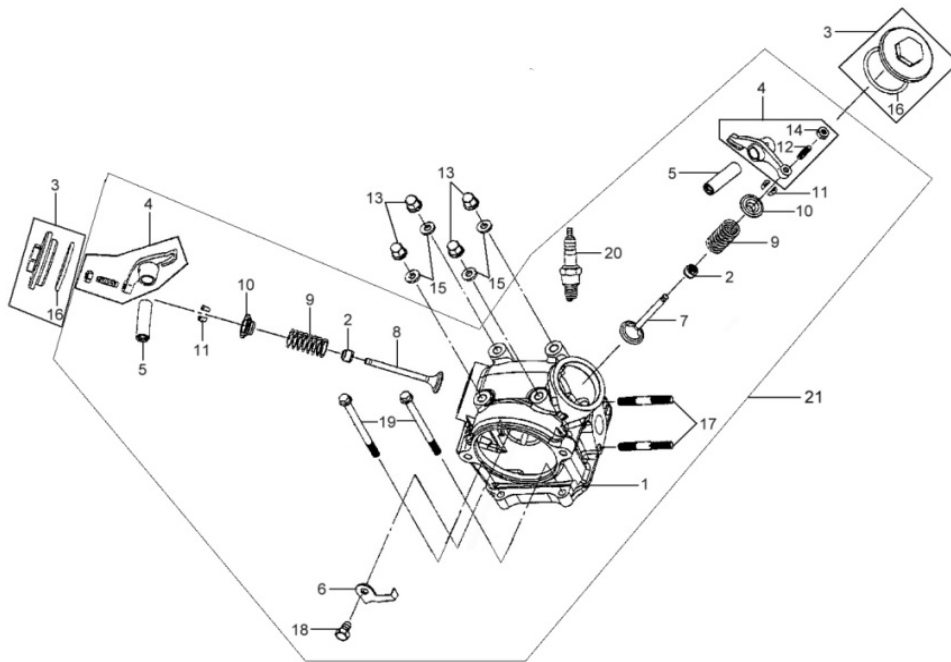




Pictures reference only

PARTS NUMBER		DESCRIPTION	QTY	EFFECTIVE DATE
1	19610-A1A-000	FAN COVER COMP.	1	
2	1962A-A1A-000	SHROUD A ASSY	1	
3	1963A-A1A-000	SHROUD B ASSY	1	
4	93904-35380	TAPPING SCREW 5*16	5	
5	96001-06020-00	FLANGE BOLT ,SH 6*20	3	

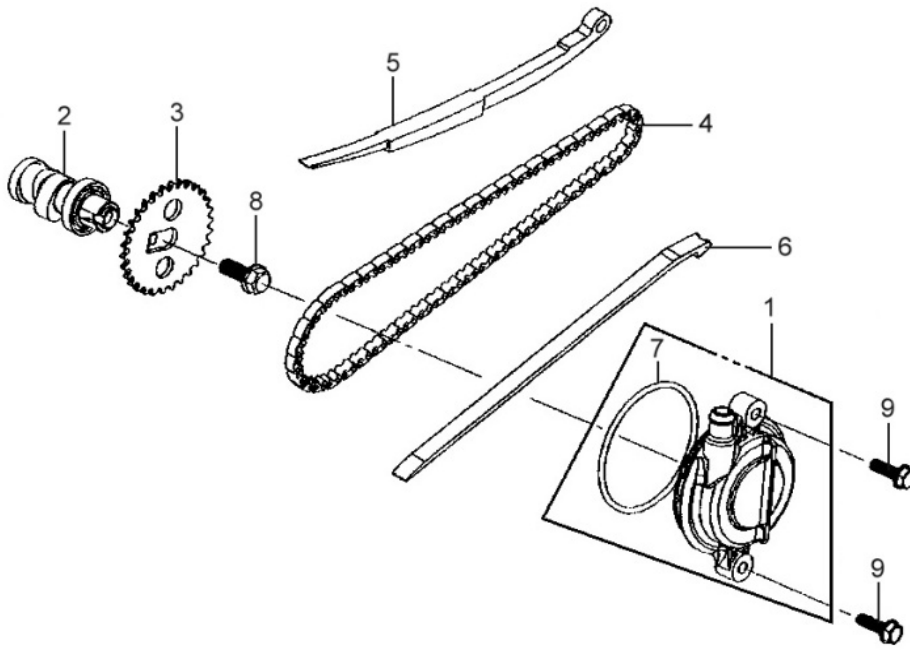
※ Please check the color & stripe information according to the color index !



Pictures reference only

PARTS NUMBER		DESCRIPTION	QTY	EFFECTIVE DATE
1	12200-A1A-000	CYLINDER HEAD COMP.	1	2005-8-18
2	12209-M9Q-000	VALVE STEM SEAL	2	
2	12209-H6B-900	VALVE STEM SEAL	2	
3	1236A-A31-000	TAPPET ADJ. HOLE CAP ASSY	2	
4	1443A-A1A-000	VALVE ROCKER ARM ASS'Y	2	
5	14451-035-000	ROCKER ARM SHAFT	2	
6	14457-A1A-000	CAM SHAFT SETTING PLATE	1	
7	14711-A1A-000	IN. VALVE	1	
8	14721-A1A-000	EX. VALVE	1	
9	14751-H6B-000	VALVE SPRING	2	
10	14771-H6T-000	VALVE SPRING RETAINER	2	
11	14781-M9Q-000-A	VALVE COTTER	1	
12	90012-M9Q-000	TAPPET ADJUSTING SCREW	2	
13	90201-X01-000	CAP NUT 6mm	4	
14	90206-HLK-000	TAPPET ADJUST. SCREW NUT	2	
15	90443-X01-000	SEALING WASHER A 6MM	4	
16	91303-A31-000	O-RING 41*2.6	2	
17	92900-06050-0E	STUD BOLT 6*50	2	
18	96001-06010-00	SH. FLANGE BOLT 6*10	1	
19	96001-06080-00	FLANGE BOLT SH 6X80	2	
20	1PCR6HSA-3	SPARK PLUG C6HSA	1	
21	1220A-A7E-000	CYLINDER HEAD ASSY.	1	

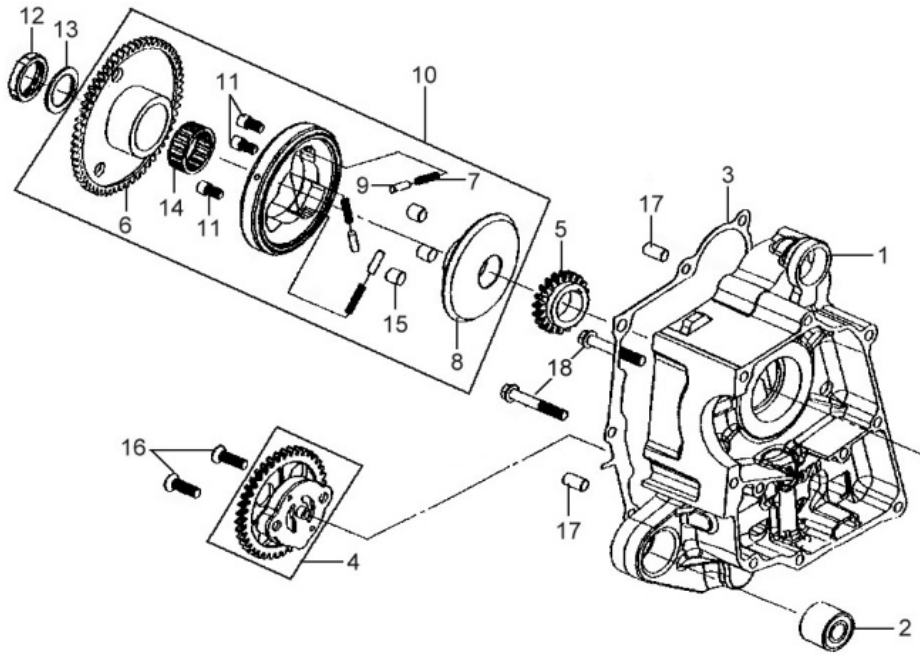
※ Please check the color & stripe information according to the color index !



Pictures reference only

PARTS NUMBER		DESCRIPTION	QTY	EFFECTIVE DATE
1	12300-A1A-000	CYL. HEAD L. SIDE COVER	1	
2	14100-A1A-000	CAM SHAFT COMP.	1	
3	14321-A1A-000	CAM SPROCKET	1	
4	1C14401-A1A-000	CAM CHAIN	1	
5	14510-A1A-000	CAM CHAIN TENSIONER	1	
6	14610-A1A-000	CAM CHAIN GUIDE	1	
7	91301-M7Q-000	O-RING 7.5*1.5	1	
8	95701-08016-08	FLANGE BOLT 8*16	1	
9	95801-06020-00	FLANGE BOLT 6*20	2	

※ Please check the color & stripe information according to the color index !

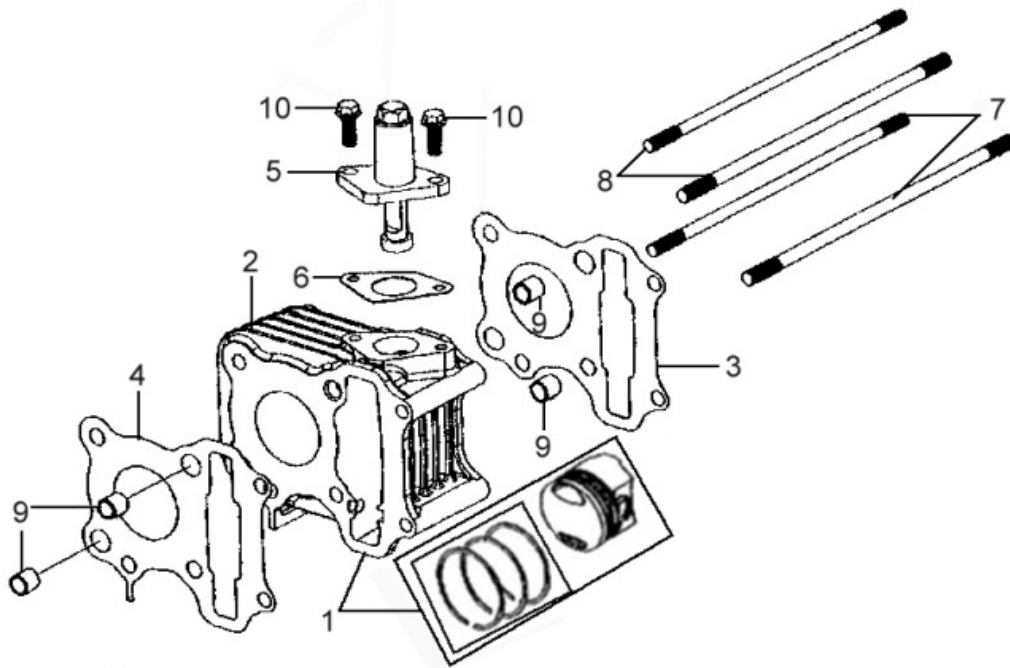


Pictures reference only

PARTS NUMBER	DESCRIPTION	QTY	EFFECTIVE DATE
1 11100-A7C-000	R CARNK CASE COMP	1	
2 11102-M9Q-300	ENG. HANGER RUBBER BUSH	1	
3 11394-A1A-000	CRANK CASE GASKET	1	
4 15100-A3F-000	OIL PUMP ASSY	1	
5 15131-A1A-000	OIL PUMP DRIVE GEAR	1	
6 28110-A3F-000	STARTING CLUTCH GEAR	1	
7 28124-M9Q-000	START. CLUTCH ROLLER SPG.	3	
8 28125-A1A-000	STARTING CLUTCH FLANGE	1	
9 28126-M9Q-000	STARTING ROLLER SPING CAP	3	
10 2812A-A1A-000	STARTING CLUTCH OUTER	3	
11 90002-M9Q-000	SOCKET BOLT 6*10	3	
12 90201-A3F-000	LOCK NUT 20mm	1	
13 90403-A3F-000	THRUST WASHER 20.2*31*1.5	1	
14 91104-M9Q-000	NEEDLE BEARING 28*32*17	1	
15 91105-M9Q-000	ROLLER 10*10	3	
16 93600-06020-0H	FLAT SCREW 6*20	2	
17 94301-08140	DOWEL PIN 8*14	2	
18 96001-06045-00	FLANGE BOLT ,SH 6*45	2	

※ Please check the color & stripe information according to the color index !

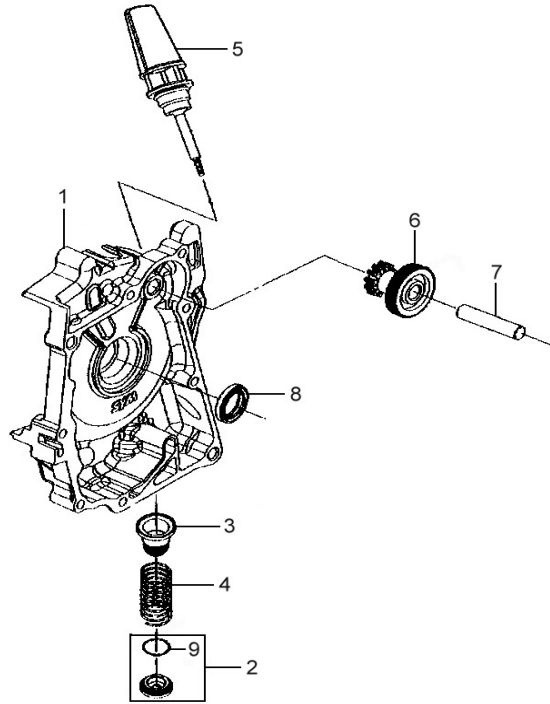




Pictures reference only

PARTS NUMBER	DESCRIPTION	QTY	EFFECTIVE DATE
1 12100-A1A-000-A	CYLINDER ASSY	1	
2 12101-A1A-000	CYLINDER	1	
3 12191-A1A-000	CYLINDER GASKET	1	
4 12251-A1A-000	CYL. HEAD GASKET	1	
5 14520-A1A-000	TENSIONER LIFTER ASSY	1	
6 14523-A1A-000	TENSIONER LIFTER GASKET	1	
7 90031-A1A-000	CYLINDER STUD BOLT A	2	
8 90032-A1A-000	CYLINDER STUD BOLT B	2	
9 90703-M8Q-000	DOWEL PIN 10*14	4	
10 96001-06016-00	SH. FLANGE BOLT 6*16	2	

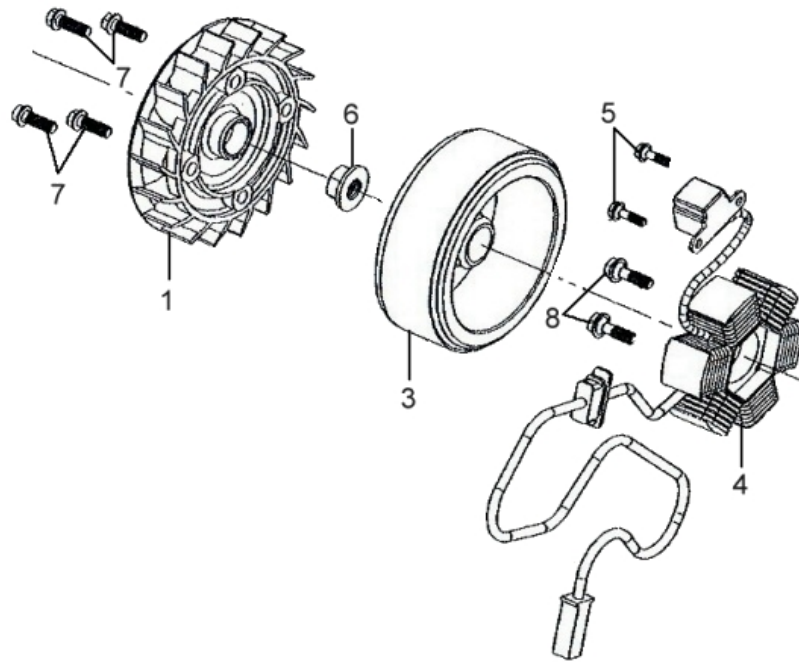
※ Please check the color & stripe information according to the color index !



Pictures reference only

PARTS NUMBER	DESCRIPTION	QTY	EFFECTIVE DATE
1 11331-A7C-000	R. CRANK CASE COVER	1	
2 1236A-V02-000	TAPP. ADJU. HOLE CAP ASSY	1	
3 15421-M9Q-000	OIL FILLTER SCREEN	1	
4 15426-M9Q-000	OIL FILLTER SCREEN SPG.	1	
5 1565A-A1A-000	OIL LEVER GAUGE ASSY	1	
6 28101-A1A-000	STARTER REDUCTION GEAR	1	
7 28102-A3F-000	START REDUCT.GEAR SHAFT	1	
8 91201-A31-000	OIL SEAL 17*30*5	1	
9 91302-M9Q-000	O-RING 30.8MM	1	

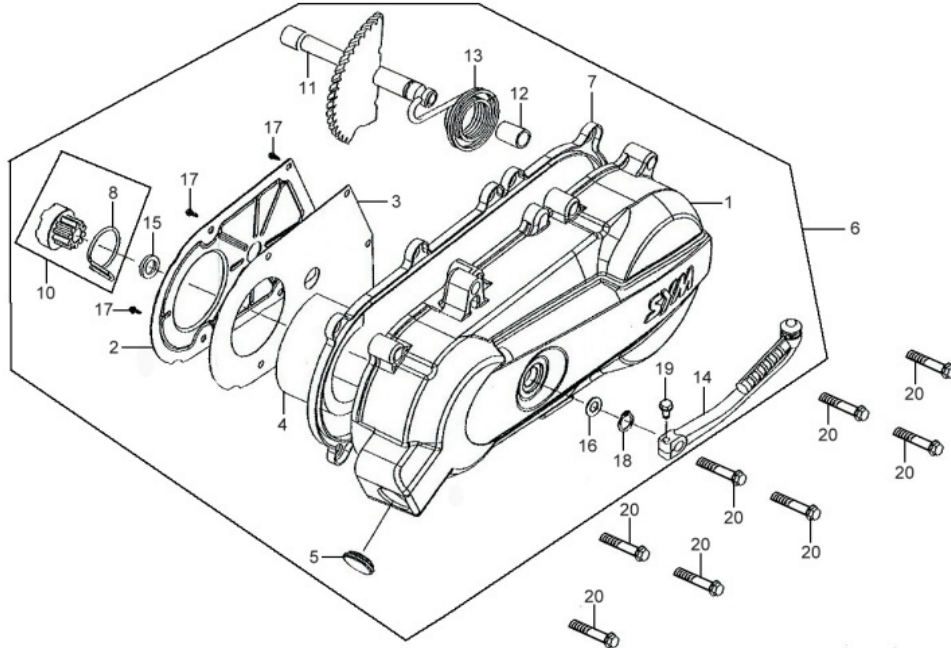
※ Please check the color & stripe information according to the color index !



Pictures reference only

PARTS NUMBER		DESCRIPTION	QTY	EFFECTIVE DATE
1	19510-A1A-000	COOLING FAN	1	
3	31110-A1A-000	FLYWHEEL COMP.	1	
4	31120-A7E-000	STATOR COMP.	1	
5	92101-05010-0H	HEX BOLT 5*10mm	2	
6	94050-10000	FLANGE NUT 10mm	1	
7	95701-06016-00	FLANGE BOLT 6*16	4	
8	96001-06020-00	FLANGE BOLT ,SH 6*20	2	

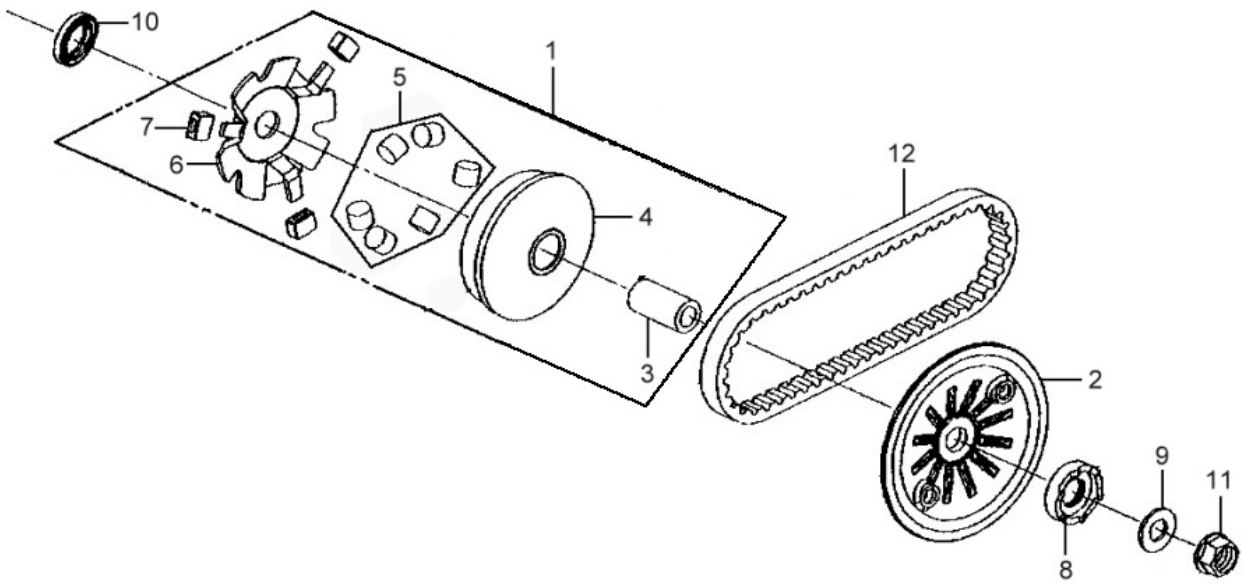
※ Please check the color & stripe information according to the color index !



Pictures reference only

PARTS NUMBER	DESCRIPTION	QTY	EFFECTIVE DATE
1 11341-A1A-000	L. CRANK CASE COVER COMP.	1	
2 11342-A5A-000	L. SIDE COVER PLATE	1	
3 11343-A1A-010	L. SIDE COVER PLATE GASKET	1	
4 11344-A3F-000	L. SIDE COVER ELEMENT	1	
5 11345-A3F-000	L. SIDE COVER PANEL	1	
6 1134A-A1A-010	L. CRANK CASE ASSY	1	
7 11395-A1A-010	L. SIDE COVER GASKET	1	
8 28223-KBN-900	KICK DRIVEN GEAR SPRING	1	
10 2823A-A1A-000	KICK DRIVEN GEAR ASSY	1	
11 28250-A1A-010	KICK STARTER SPINDLE COMP	1	
12 28253-M7Q-000	KICK SPINDLE BUSH	1	
13 28281-A1A-000	KICK RETURN SPRING	1	
14 28300-A1A-000	KICK STARTER ARM ASS'Y	1	
15 90412-M7Q-000	THRUST WASHER 10MM	1	
16 90451-M7Q-000	KICK SPINDLE WASHER	1	
17 93901-25180	TAPPING SCREW 5*10	6	
18 94511-14000	EX. CIR-CLIP 14mm	1	
19 95801-06022-07	FLANGE BOLT 6*22	1	
20 96001-06035-00	SH. FLANGE BOLT 6*35mm	8	

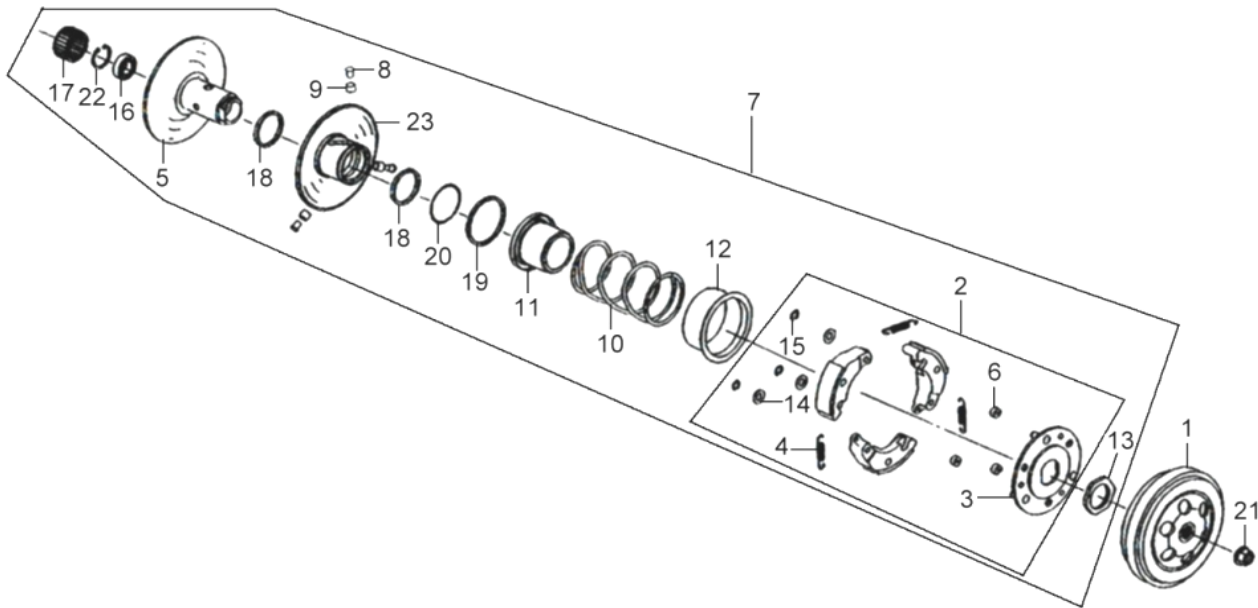
※ Please check the color & stripe information according to the color index !



Pictures reference only

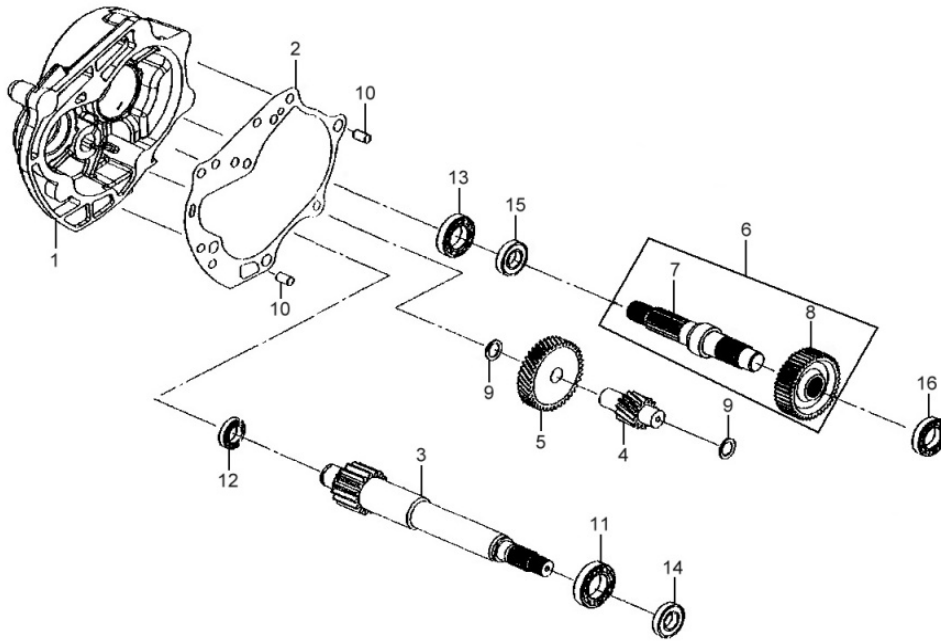
PARTS NUMBER	DESCRIPTION	QTY	EFFECTIVE DATE
1 22000-A1A-000	MOVABLE DRIVE FACE ASS'Y	1	
2 22102-A1A-010	DRIVE FACE	1	
3 22105-A1A-000	DRIVE FACE BOSS	1	
4 22110-A1A-000	MOVABLE DRIVE FACE COMP.	1	
5 22121-A30-000-A	WEIGHT ROLLER COMP.	1	
6 22131-A1A-000	RAMP PLATE	1	
7 22132-A1A-000-A	SLIDE PIECE	1	
8 28211-KBN-900	KICK STARTER RATCHET	1	
9 90426-KBN-900	SPECIAL WASHER 12MM	1	
10 91204-A1A-000	OIL SEAL 18.9*30*5	1	
11 94001-12200-0S	HEX. NUT 12MM	1	
12 1B01A1A01	DRIVE BELT	1	

※ Please check the color & stripe information according to the color index !



Pictures reference only

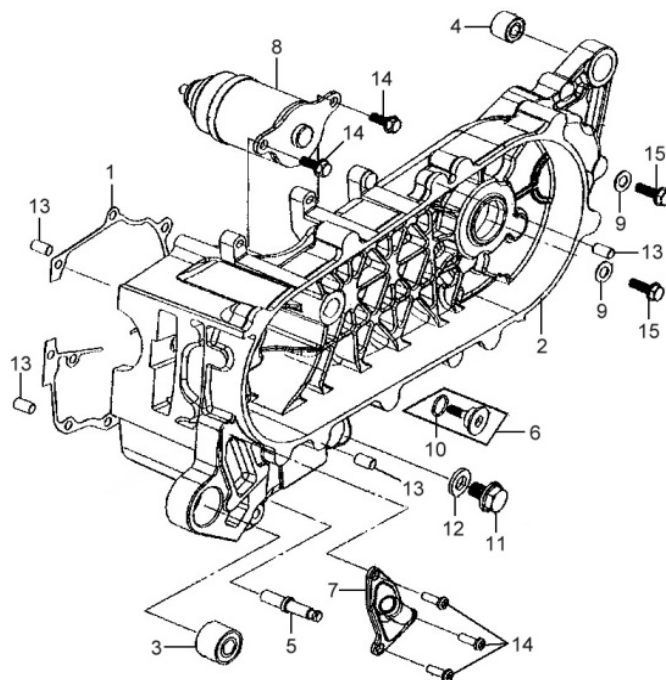
PARTS NUMBER		DESCRIPTION	QTY	EFFECTIVE DATE
1	22100-M5Q-000	CLUTCH OUTER COMP.	1	
2	22300-A1A-000	DRIVE PLATE ASS'Y	1	
3	22350-A1A-000	DRIVE PLATE COMP.	3	
4	22401-M5Q-000	CLUTCH SPRING	3	
5	23210-A1A-000	DRIVEN FACE COMP.	1	
6	22804-A3A-000	CLUTCH DAMPER RUBBER	1	
7	23010-A1A-000	DRIVEN PULLEY ASS'Y	1	
8	23225-GW3-000	ROLLER GUIDE PIN	3	
9	23226-GW3-000	GUIDE ROLLER	3	
10	23233-M7Q-000	DRIVEN FACE SPRING	1	
11	23237-A31-000	SEAL COLLAR	1	
12	23238-GS7-010	SPRING COLLAR	1	
12	23238-M7Q-000	SPRING COLLAR	1	2005-7-14
13	90202-M9Q-000	SPECIAL NUT 28MM	3	
14	90442-M7Q-000	THRUST WASHER 6MM	3	
15	90603-M7Q-000	CIR CLIP 6MM	1	
16	91002-A3A-300	RADIAL BALL BRG. 6901LUC3	1	
17	91103-M7Q-000	NEEDLE BEARING 17*25*18 WS	1	
18	91211-A3A-000	OIL SEAL 34*39*3	2	
19	91302-A3A-000	O-RING 39.8*2.2	1	
20	91351-642-000	O-RING 36*1.5	1	
21	94050-10000	FLANGE NUT 10mm	1	
22	94520-24000	CIRCLIP. IN 24	1	
23	23210-A31-000	MOVABLE DRIVEN FACE COMP.	1	



Pictures reference only

PARTS NUMBER	DESCRIPTION	QTY	EFFECTIVE DATE
1 21200-A7C-000	MISSION CASE COMP.	1	
2 21395-TAA-000	MISSION CASE GASKET	1	
3 23411-A1A-000	DRIVE SHAFT	1	
4 23421-TAA-000	COUNTER SHAFT	1	
5 23422-A1A-000	COUNTER GEAR	1	
6 23430-A1A-000	FINAL SHAFT COMP.	1	
7 23431-M7Q-300	FINAL SHAFT	1	
8 23432-A1A-300	FINAL GEAR	1	
9 90454-M7Q-000	THRUST WASHER 14MM	2	
10 90703-M8Q-000	DOWEL PIN 10*14	2	
11 91005-A1A-000	BALL RAD. BRG. CSB203 JR2 C3	1	
12 91006-A1A-300	BALL RADIAL BRG CSB201 C3	1	
13 91028-M7Q-000	BALL RADIAL BRG. 6203U	1	
14 91204-A1A-000	OIL SEAL 17*30*5	1	
15 91254-M7Q-000	OIL SEAL 24*40*7	1	
16 96100-62023-00	BALL RADIAL BEARING 6202	1	

※ Please check the color & stripe information according to the color index !

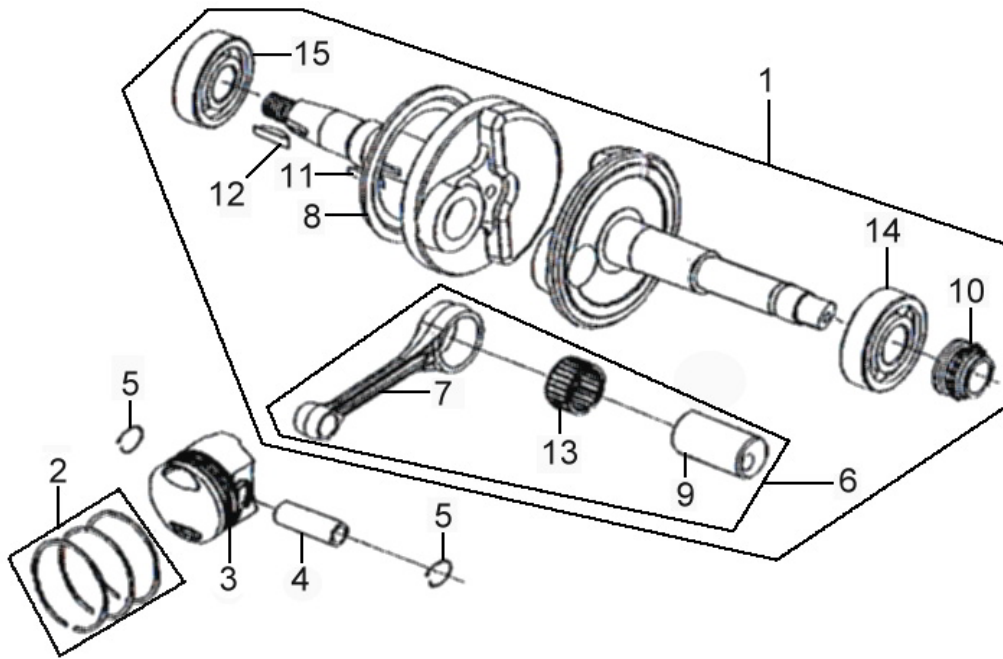


Pictures reference only

PARTS NUMBER	DESCRIPTION	QTY	EFFECTIVE DATE
1 11192-A1A-000	CRANK CASE GASKET	1	
2 11200-A7C-000	L. CRANK CASE COMP	1	
3 11202-A1A-300	L. BUSH 47MM	1	
4 11203-M9Q-300	RR. CUSH. UN. RUBBER BUSH	1	
5 11204-A3F-300	SPRING HOOK PIN	1	
6 1453A-M92-000	CAM CHAIN TEN. PIVOT ASS'Y	1	
7 18610-A1A-000	REED VALVE COMP.	1	
8 31200-A1A-000	START MOTOR ASSY	1	
9 90488-700-000	WASHER A 8MM	2	
10 91304-M9Q-000	O-RING 15.2*1.5	1	
11 92800-12000	DRAIN PLUG BOLT 12MM	1	
12 94109-12000	PLUG DRAIN WASHER 12mm	1	
13 94301-08140	DOWEL PIN 8*14	4	
14 95701-06016-00	FLANGE BOLT 6*16	5	
15 95701-08012-00	BOLT FLANGE 8*12	2	

※ Please check the color & stripe information according to the color index !

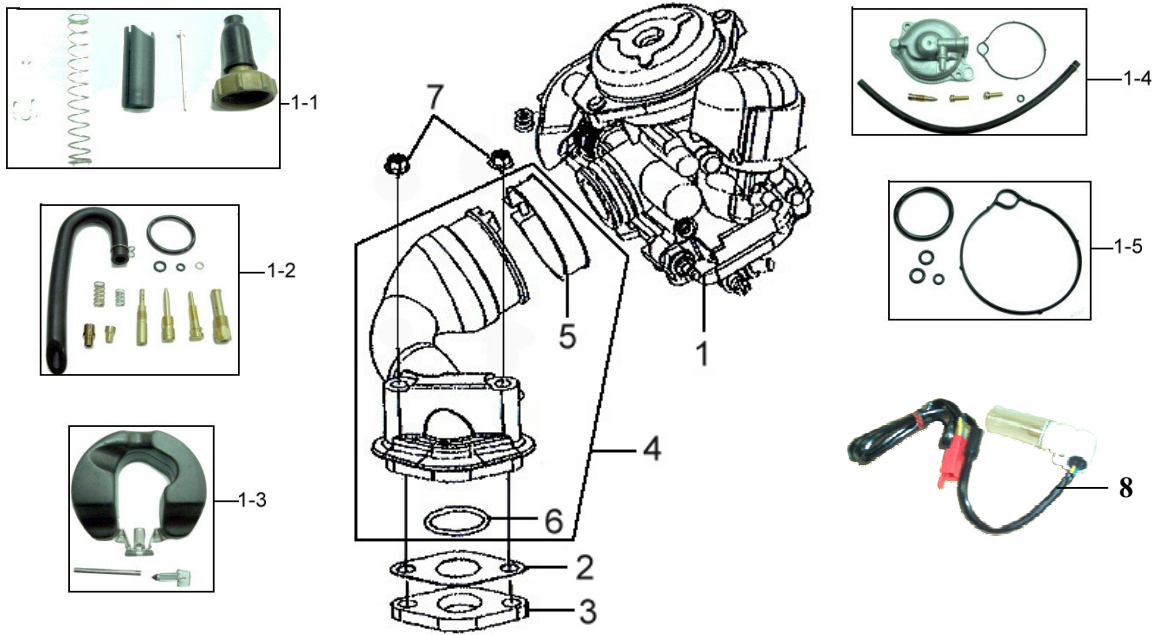




Pictures reference only

PARTS NUMBER	DESCRIPTION	QTY	EFFECTIVE DATE
1 13000-A1A-000	CRANK SHAFT COMP	1	
2 13010-A1A-000	PISTON RING SET	1	
3 13101-A1A-000	PISTON	1	
4 13111-A1A-000	PISTON PIN	1	
5 13115-147-000	PISTON PIN CLIP 10MM	2	
6 1320A-A1A-000	CONNECTING ROD ASSY.	1	
7 13201-A1A-000	CONNECTING ROD	1	
8 13371-A1A-300	R. CRANK SIDE PLATE	1	
9 13380-A1A-300	CRANK PIN	1	
10 14311-A1A-300	TIMING SPROCKET	1	
11 90702-M9Q-000	WOODRUFF KEY 25*14*4	1	
12 90741-M7Q-000	WOODRUFF KEY	1	
13 91001-M6Q-000	CON-ROD BIG END BEARING	1	
14 91003-A1A-300	RADIAL BALL BRG. 6204 CS12	1	
15 91004-A1A-300	RAD. BALL BRG. 6004 JR2 CS12	1	

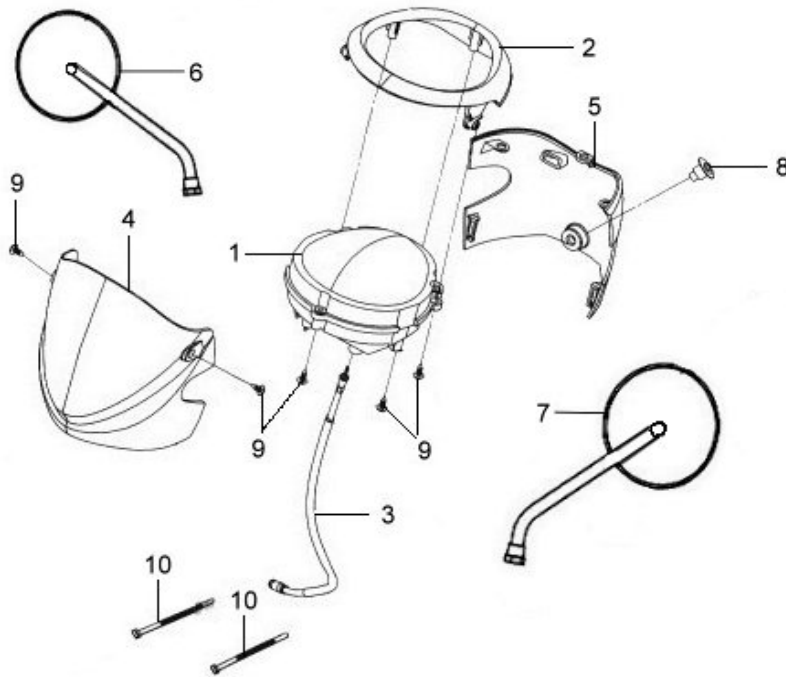
※ Please check the color & stripe information according to the color index !



Pictures reference only

PARTS NUMBER	DESCRIPTION	QTY	EFFECTIVE DATE
1 16100-A7E-000-01	CARBURETOR ASSY	1	
1.1 1621-883-2000	CARBURETOR HEATER	1	
1-1 A7E-1	CARB. NEEDLE FIXING SET	1	
1-2 A7E-2	CARB. SCREW FIXING SET	1	
1-3 A7E-3	CARB. FLOAT FIXING SET	1	
1-4 A7E-4	CARB. F.C.B. FIXING SET	1	
1-5 A7E-5	CARB. GASKET FIXING SET	1	
2 16201-A1A-000	CARB. INSULATOR GASKET	1	
3 16211-A1A-000	CARB. INSULATOR	1	
4 1711A-A1A-000	INLET PIPE COMP.	1	
5 90652-A1A-000	IAIR/C CONN TUBE BAND 40MM	1	
6 91304-GW3-003	O-RING 23*1.9	1	
7 94050-06000	FLANGE NUT 6MM	2	
8 16046-A7E-000	CARB. AUTO BY-ST ASSY	1	

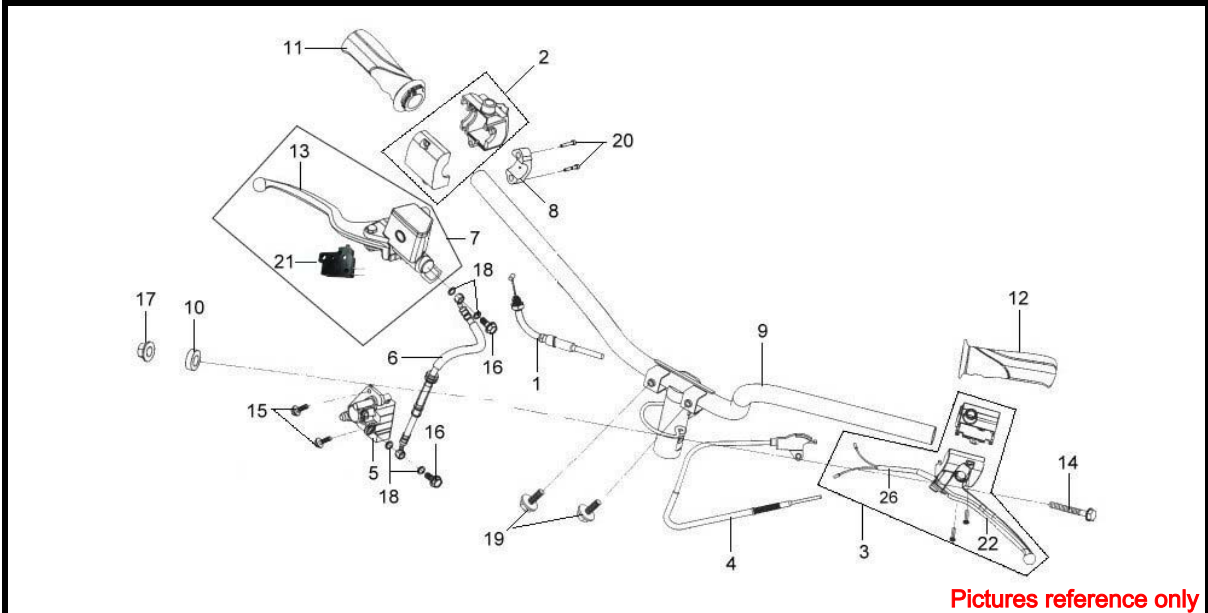
※ Please check the color & stripe information according to the color index !



Pictures reference only

PARTS NUMBER	DESCRIPTION	QTY	EFFECTIVE DATE
1 37200-A7E-000	SPEEDOMETER ASSY	1	
2 37210-A7A-000	METER COVER	1	
3 44830-T47-000	SPEEDOMETER CABLE	1	
4 5320G-A7A-000-KV1	FR. HANDLE COVER	1	
4 5320G-A7A-000-ND1	FR. HANDLE COVER	1	
4 5320G-A7A-000-SO1	FR. HANDLE COVER	1	
4 5320G-A7A-000-ZJ1	FR. HANDLE COVER	1	
4 5320G-A7A-000-YQ	FR. HANDLE COVER	1	
4 5320G-A7A-000-VF1	FR. HANDLE COVER	1	
4 <b>5320G-A7A-000-VF2</b>	FR. HANDLE COVER	1	2005-10-3
4 5320G-A7A-000-YQ1	FR. HANDLE COVER	1	
5 53206-A7A-000-KA	RR. HANDLE COVER	1	
5 53206-A7A-000-GA	RR. HANDLE COVER	1	
6 88110-A8D-000	R. BACK MIRROR ASSY	1	
7 88120-A8D-000	LH. BACK MIRROR ASSY	1	
8 90114-N01-000	SWITCH COVER SCREW	1	
9 93903-34380	TAPPING SCREW 4*12	5	
10 95014-62200	WIRE BAND B2	2	

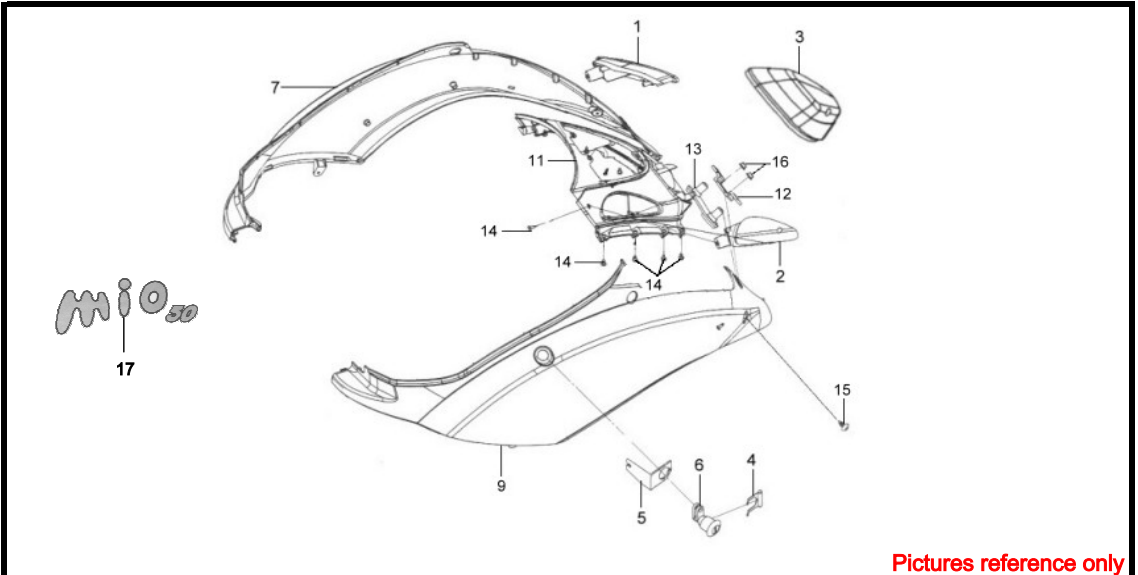
※ Please check the color & stripe information according to the color index !



Pictures reference only

PARTS NUMBER	DESCRIPTION	QTY	EFFECTIVE DATE
1 17910-A7A-000	THROT. CABLE CPMP	1	
1 <b>17910-A7E-000</b>	THROT. CABLE CPMP	1	2005-6-17
2 35150-A8B-000	R HANDLE SW ASSY.	1	
3 35200-A8B-000	L HANDLE SW ASSY.	1	
4 43450-A7A-000	RR BRAKE CABLE ASSY.	1	
5 45100-A3B-000	FR. CALIPER ASS'Y	1	
5-1 45105-GM9-743-A	PAD COMP.	1	
6 45126-A8B-000	FR BRAKE HOSE ASSY.	1	
7 45500-A8B-000	FR. MASTER CYL. ASSY	1	
8 45517-A8B-000	MASTER CYLIND. HOLDER	1	
9 53100-A8B-000	STRG HANDLE COMP	1	
10 53125-M9Q-000	HNDL. SET COLLAR	1	
11 53140-A7A-000	THROT GRIP COMP	1	
11 <b>53140-A7A-900</b>	THROT GRIP COMP	(BK) 1	2005-7-4
12 53166-TAA-900	L HANDLE GRIP	1	
12 <b>53166-TAA-000</b>	L HANDLE GRIP	(BK) 1	2005-7-4
13 53175-A8B-000	R. STEER. HANDLE LEVER	1	
14 90106-M9Q-000	FLG. BOLT 10*50	1	
15 90131-GW0-910	BOLT FLANGE 8*35	2	
16 90145-M9Q-000	OIL BOLT 10*22	2	
17 90304-M9Q-000	NUT U FLANGE 10MM	1	
18 90545-M9Q-000	OIL BOLT WASHER	4	
19 95801-06012-08	FLANGE, BOLT 6*12	2	
20 96700-06020-00	SOCKET BOLT 6*20	2	
21 35340-A7A-000	FR. STOP SWITCH	1	
22 53178-A7A-000	L. HANDLE LEVER	1	
24 53174-TDE-000	LH. HANDLE LEVER COVER	1	
25 90115-A7A-000	HANDLE LEVER PIVOT SCREW	2	
26 32106-A3M-000	SUB CORD	1	

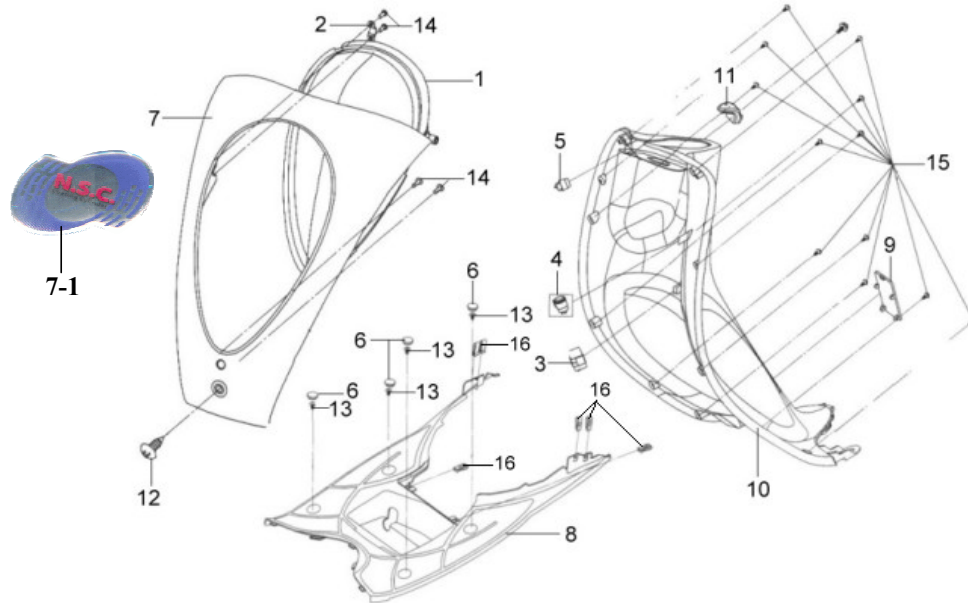
※ Please check the color & stripe information according to the color index !



Pictures reference only

PARTS NUMBER	DESCRIPTION	QTY	EFFECTIVE DATE	
1 33600-A8D-000	RR R WINKER ASSY.	1		
1 <b>33600-A8D-010</b>	RR R WINKER ASSY.	1	2005/1/21	Y
1-1 33602-A8D-000	RR R WINKER LENS	1		
1-2 34905-A8D-000	WINKER BULB(12V10W)	1		
2 33650-A8D-000	RR L WINKER ASSY.	1		
2 <b>33650-A8D-010</b>	RR L WINKER ASSY.	1	2005/1/21	Y
2-1 33652-A8D-000	RR L WINKER LENS	1		
3 33700-A7A-000	TAIL LIGHT ASSY.	1		
3 <b>33700-A8D-000</b>	TAIL LIGHT ASSY.	1	2005/1/12	Y
3-1 33702-A7A-000	TAIL LIGHT LENS	1		
3-1 <b>33702-A8D-000</b>	TAIL LIGHT LENS	1	2004/11/4	Y
3-2 34906-M9Q-000	TAIL LIGHT BULB(12V 18/5W)	1		
3-2 <b>34906-A8D-000</b>	TAIL LIGHT BULB(12V 21/5W)	1	2004/11/4	Y
4 75581-T53-000	LOCK KEY SET SPG.	1		
5 77236-T53-000	SEAT LOCK WASHER	1		
6 77239-T53-000	SEAT LOCK KEY	1		
7 83500-A7A-000-KV	R BODY COVER	1		
7 83500-A7A-000-ND	R BODY COVER	1		
7 83500-A7A-000-ZJ	R BODY COVER	1		
7 83500-A7A-000-SO	R BODY COVER	1		
7 83500-A7A-000-YQ	R BODY COVER	1		
9 83600-A7A-000-KV	L BODY COVER	1		
9 83600-A7A-000-ND	L BODY COVER	1		
9 83600-A7A-000-ZJ	L BODY COVER	1		
9 83600-A7A-000-SO	L BODY COVER	1		
9 83600-A7A-000-YQ	L BODY COVER	1		
11 83751-A8B-010-KA	RR CENTER COVER	1		
11 83751-A7A-010-KA	RR CENTER COVER	1	2005/1/12	N
12 8470A-A7E-000	NUMBBER PLATE BRKT	1		
13 84702-A8D-000	LICENSE PLATE BRKT STAY	1		
14 93903-34320	TAPPING SCREW 4*12	21		
15 93903-34480	TAPPING SCREW 4*16	2		
16 94050-06080	NUT, FLANGE 6MM	2		
17 87125-A7A-000	BODY COVER STRIPE	2		

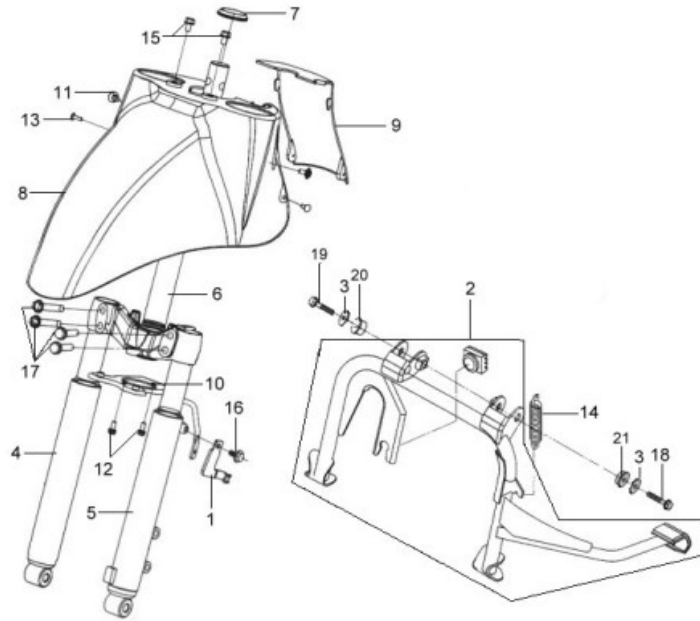
※ Please check the color & stripe information according to the color index !



Pictures reference only

PARTS NUMBER	DESCRIPTION	QTY	EFFECTIVE DATE
1	33100-A8D-000	1	
1-1	34901-N01-000	1	
1-2	34908-M7Q-000	1	
2	33107-A7A-000	2	
4	38300-T53-010	1	
5	3850A-HLA-000	1	
6	50612-F02-010-GA	4	
6	50612-F02-010-KA	4	
7	64301-A7A-000-KV	1	
7	64301-A7A-000-ND	1	
7	64301-A7A-000-ZJ	1	
7	64301-A7A-000-SO	1	
7	64301-A7A-000-YQ	1	
7	64301-A7A-000-VF	1	
7-1	87124-HAD-000	1	
8	64310-A7A-000-KA	1	
8	64310-A7A-000-GA	1	
9	64318-H6B-010-KA	1	
9	64318-H6B-010-GA	1	
10	81131-A7A-000-KA	1	
10	81131-A7A-000-GA	1	
11	81132-M7Q-000-KA	1	
11	81132-M7Q-000-GA	1	
12	90119-G03-000	1	
13	93404-06016-08	4	
14	93903-34120	2	
15	93903-34380	13	
16	90302-V02-000	6	

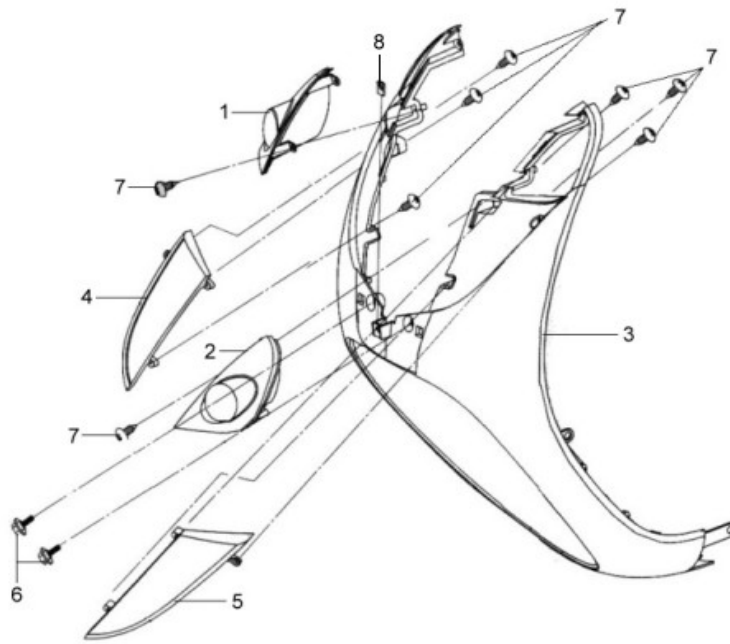
※ Please check the color & stripe information according to the color index !



Pictures reference only

PARTS NUMBER		DESCRIPTION	QTY	EFFECTIVE DATE
1	45156-A8B-000	FR. BRAKE HOSE CLAMP	1	2005-2-21
2	50500-A1A-000	MAIN STAND ASSY	1	
2	50500-A7E-000	MAIN STAND ASSY	1	
3	50504-A1A-000	MAIN STAND COLLAR	2	
4	51400-A34-002	FR/R. FORK ASSY	1	
5	51500-A34-002	FR/L. FORK ASSY	1	
6	53200-A8B-000	STRG. STEM COMP.	1	
7	53212-M7Q-000	STRG. BOTTOM CONE RACE	1	
8	61100-A7A-000-KV	FR. FENDER A	1	
8	61100-A7A-000-ND	FR. FENDER A	1	
8	61100-A7A-000-ZJ	FR. FENDER A	1	
8	61100-A7A-000-SO	FR. FENDER A	1	
8	61100-A7A-000-YQ	FR. FENDER A	1	
8	61100-A7A-000-VF	FR. FENDER A	1	
9	61101-A7A-000	FR. FENDER B	1	
10	61104-A7A-000	FR. FENDER STAY	1	
11	90114-N01-000	SWITCH COVER SCREW	2	
12	93401-05012-08	BOLT. WASHER 5*12	2	
13	93903-34380	TAPPING SCREW 4*12	2	
14	50505-E60-000	MAIN STAND SPRING	1	
15	95801-06010-08	FLANGE BOLT 6*10	2	
16	95801-06012-08	FLANGE, BOLT 6*12	1	
17	95801-08040-00	FLANGE BOLT 8*40	4	
18	95801-10045-08	FLANGE BOLT 8*45	1	
19	95801-10040-08	FLANGE BOLT 8*40	1	
20	50505-A1A-000	MAIN STAND COLLAR A	1	
21	50502-A1A-000	MAIN STAND COLLAR B	1	

※ Please check the color & stripe information according to the color index !

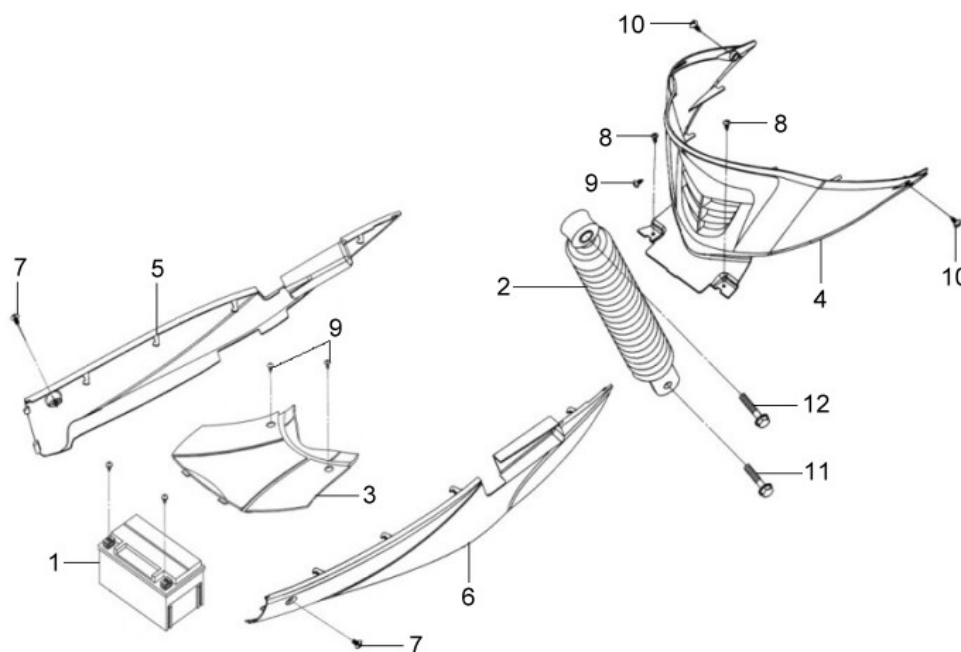


Pictures reference only

PARTS NUMBER	DESCRIPTION	QTY	EFFECTIVE DATE
1 33400-A8D-000	FR R WINKER ASSY.	1	
1-1 34905-A8D-000	WINKER BULB(12V 10W)	1	2005-5-10
2 33450-A8D-000	FR L WINKER ASSY.	1	
3 64300-A7A-000-KV1	FR UNDER SPOILER	1	
3 64300-A7A-000-WF1	FR UNDER SPOILER	1	
3 64300-A7A-000-SO1	FR UNDER SPOILER	1	
3 64300-A7A-000-YQ1	FR UNDER SPOILER	1	
4 64410-A7A-000-KV	FR R WINKER GARNISH	1	
4 64410-A7A-000-ND	FR R WINKER GARNISH	1	
4 64410-A7A-000-ZJ	FR R WINKER GARNISH	1	
4 64410-A7A-000-SO	FR R WINKER GARNISH	1	
4 64410-A7A-000-YQ	FR R WINKER GARNISH	1	
4 64410-A7A-000-VF	FR R WINKER GARNISH	1	
4 64410-A8B-000	FR R WINKER GARNISH	1	
5 64420-A7A-000-KV	FR L WINKER GARNISH	1	
5 64420-A7A-000-ND	FR L WINKER GARNISH	1	
5 64420-A7A-000-ZJ	FR L WINKER GARNISH	1	
5 64420-A7A-000-SO	FR L WINKER GARNISH	1	
5 64420-A7A-000-YQ	FR L WINKER GARNISH	1	
5 64420-A7A-000-VF	FR L WINKER GARNISH	1	
5 64420-A8B-000	FR L WINKER GARNISH	1	
6 90113-M8Q-000	FLANGE BOLT 6MM	2	
7 93903-34320	TAPPING SCREW 4X12	8	
8 90302-V02-000	SPRING NUT 4MM	1	

※ Please check the color & stripe information according to the color index !

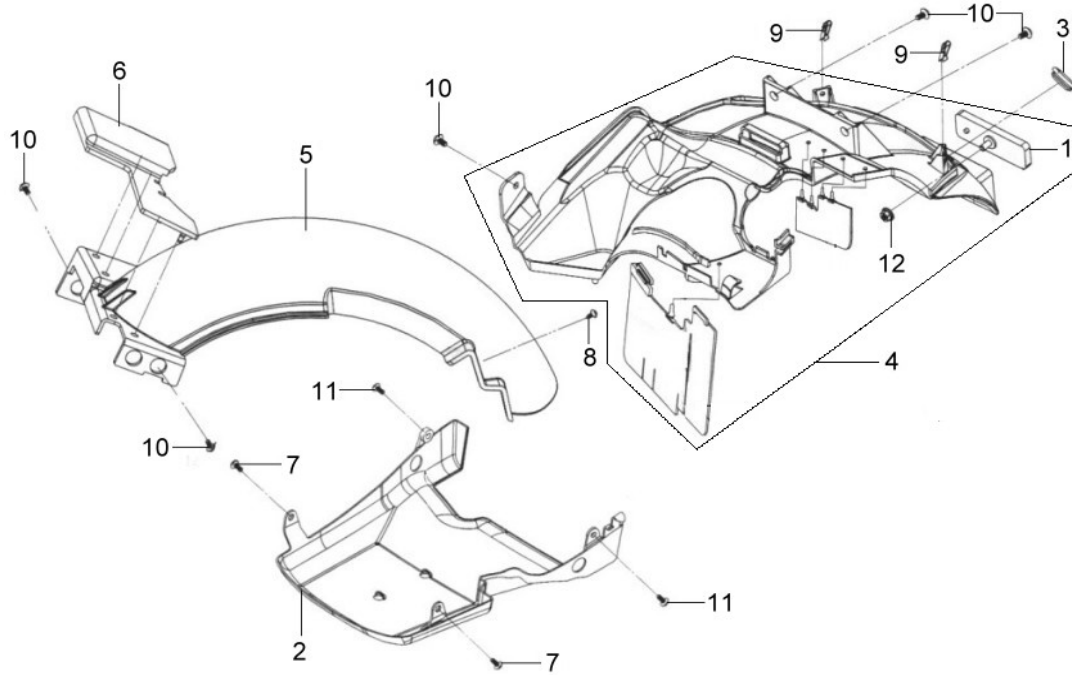




Pictures reference only

PARTS NUMBER	DESCRIPTION	QTY	EFFECTIVE DATE
1 1Y01GY601-Y <i>revised</i>	BATTERY ASSY. YTX7A-BS	1	
2 52400-A1A-000	RR. CUSHION COMP	1	
3 50326-A7A-000-KA	BATTERY COVER	1	
3 50326-A7A-000-GA	BATTERY COVER	1	
4 80151-A7A-000-KA	CENTER COVER	1	
4 80151-A7A-000-GA	CENTER COVER	1	
5 83520-A7A-000-KV	R SIDE COVER	1	
5 83520-A7A-000-WF	R SIDE COVER	1	
5 83520-A7A-000-SO	R SIDE COVER	2	
5 83520-A7A-000-YQ	R SIDE COVER	2	
6 83620-A7A-000-KV	L SIDE COVER	1	
6 83620-A7A-000-WF	L SIDE COVER	1	
6 83620-A7A-000-SO	L SIDE COVER	1	
6 83620-A7A-000-YQ	L SIDE COVER	1	
7 90118-HAA-000	WASHER BOLT 5*14	2	
8 93903-34320	TAPPING SCREW 4*12	2	
9 93903-34380	TAPPING SCREW 4*12	3	
10 93903-34480	TAPPING SCREW 4*16	2	
11 93201-08032-0H	HEX BOLT 8*32	1	
12 95801-10035-08	FLANGE BOLT 10*35	1	

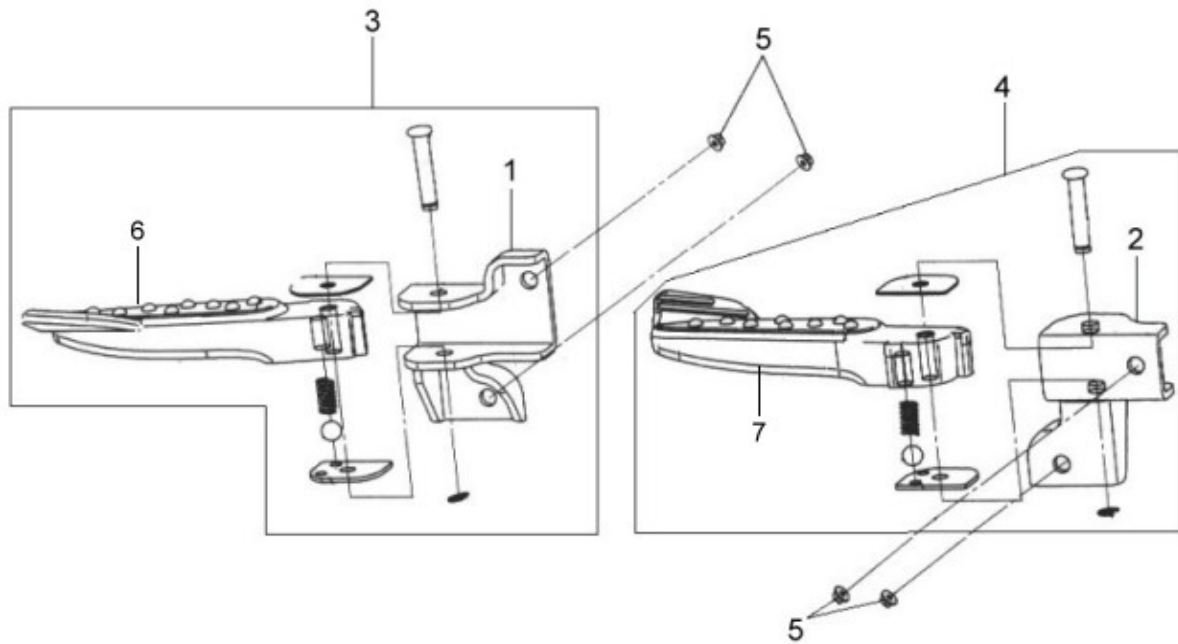
※ Please check the color & stripe information according to the color index !



Pictures reference only

PARTS NUMBER	DESCRIPTION	QTY	EFFECTIVE DATE
1 33741-M9A-000	RR. REFLEX REFLECTOR	1	2005-7-4
2 50613-A1A-000	UNDER COVER	1	
3 70529-M9Q-000	SIDE PANEL GROMMET B	1	
4 8010A-A7E-000-KA	RR. FENDER	1	
4 8010A-A7C-000-KA	RR. FENDER	1	
5 80105-A1A-000	RR. MUDGUARD	1	
6 80106-A5A-000	RR. MUDGUARD PLATE	1	
7 90118-HAA-000	WASHER BOLT 5*14	2	
8 90119-G03-900	SCREW WASHER 5*22	1	
9 90302-V02-000	SPRING NUT 4mm	2	
10 93404-06012-07	WASHER BOLT 6*12	5	
11 93404-06020-07	WASHER BOLT 6MM	2	
12 94050-05080	FLANGE NUT 5MM	1	

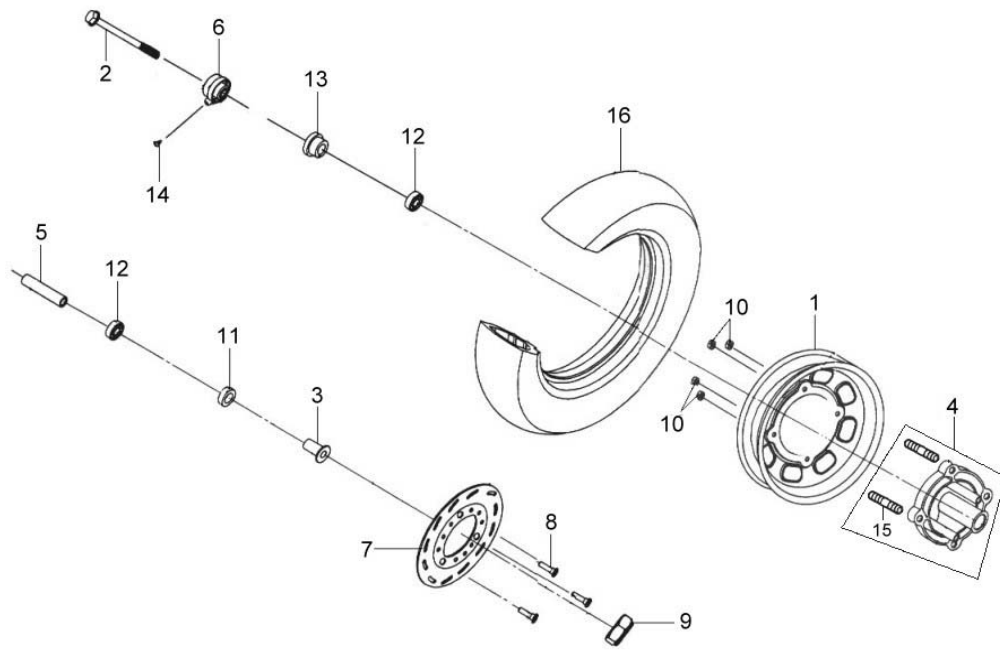
※ Please check the color & stripe information according to the color index !



Pictures reference only

PARTS NUMBER		DESCRIPTION	QTY	EFFECTIVE DATE	
1	50613-A1A-000	R. PILLION STEP BRKT.	1	2004-9-18	
1	50613-A7A-000	R. PILLION STEP BRKT.	1		
2	50614-A7A-000	L. PILLION STEP BRKT.	1		
3	50710-A7A-000	R PILLION STEP ASSY.	1		
4	50720-A7A-000	L PILLION STEP ASSY.	1		
5	94050-06080	NUT, FLANGE 6MM	4		
6	50715-A7A-000	R. PILLION STEP	1		
7	50718-A7A-000	L. PILLION STEP	1		

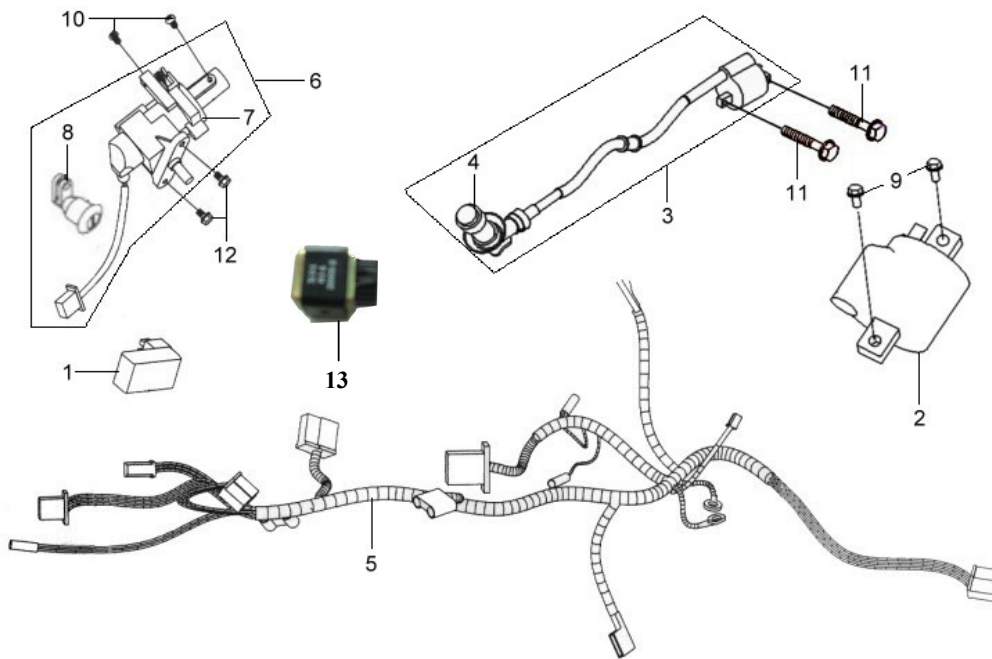
※ Please check the color & stripe information according to the color index !



Pictures reference only

PARTS NUMBER	DESCRIPTION	QTY	EFFECTIVE DATE
1 42702-G03-600-SH	WHEEL RIM COMP	1	
2 44301-GW0-910	FR WHEEL AXLE	1	
3 44311-GW0-910	COLLAR FR WHEEL SIDE	1	
4 44610-GW0-910-SH	HUB SUB COMP. FR.	1	
5 44620-GW0-910	COLLAR FR DIST	1	
6 44800-KBN-900	SPDMT. GEAR BOX ASS'Y	1	
7 45121-M9Q-003	FR. BRAKE DISK	1	
8 90105-KR3-000	FR. DISK BOLT 8*24	3	
9 90306-M9Q-000	SELF-LOCK NUT 12MM	1	
10 90309-M9Q-000	FLANGE NUT 8mm	4	
11 90754-M9Q-000-M2	DUST SEAL 20*32*5	1	
12 90912-M9Q-000	RADIAL BALL BRG. 6201(U)	2	
13 91258-M9Q-000	SEAL SPDMT GEAR BOX	1	
14 93700-05018-0A	SCREWOVAL 5*18	1	
15 90110-KG8-900	STUD II BOLT 8X22	4	
16 1T0190108-310A	TIRE ASSY	1	

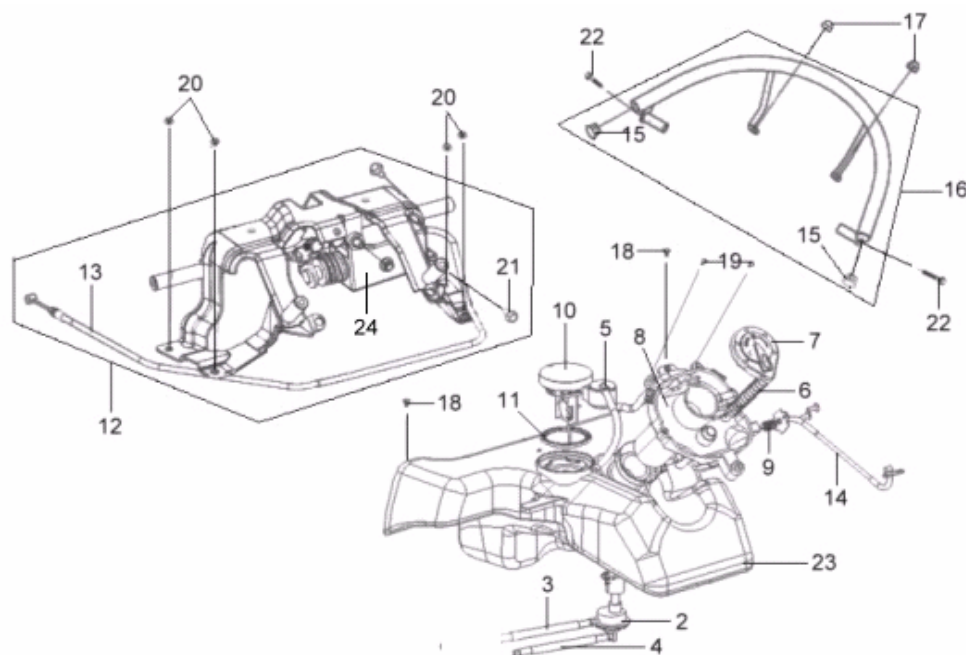
※ Please check the color & stripe information according to the color index !



Pictures reference only

PARTS NUMBER	DESCRIPTION	QTY	EFFECTIVE DATE
1 30410-A1A-910	CDI UNIT COMP.	1	
2 30510-A1A-000	IGN COIL COMP.	1	
3 3051A-A1A-000	IGN. COIL ASSY	1	
4 30700-M92-000	NOISE SUPPRESSOR CAP	1	
4 30700-M9Q-000	NOISE SUPPRESSOR CAP	1	2005-6-20
5 32100-A7E-000	WIRE HARNESS	1	
6 35010-A8D-000	KEY SET	1	
6 35010-A8D-010	KEY SET	1	2005-3-1
7 35100-A8D-000	MAIN SWITCH&LOCK ASSY	1	
7 35100-A8D-010	MAIN SWITCH&LOCK ASSY	1	2005-1-10
8 77239-T53-000	SEAT LOCK KEY	1	
9 92101-05020-0H	HEX BOLT 5*20	2	
10 93892-05012-08	WASHER SCREW 5*12	2	
11 95801-06016-00	FLANGE BOLT 6*16	2	
12 96001-06016-00	SH. FLANGE BOLT 6*16	2	
13 38500-A1A-000	START RELAY ASSY.	1	

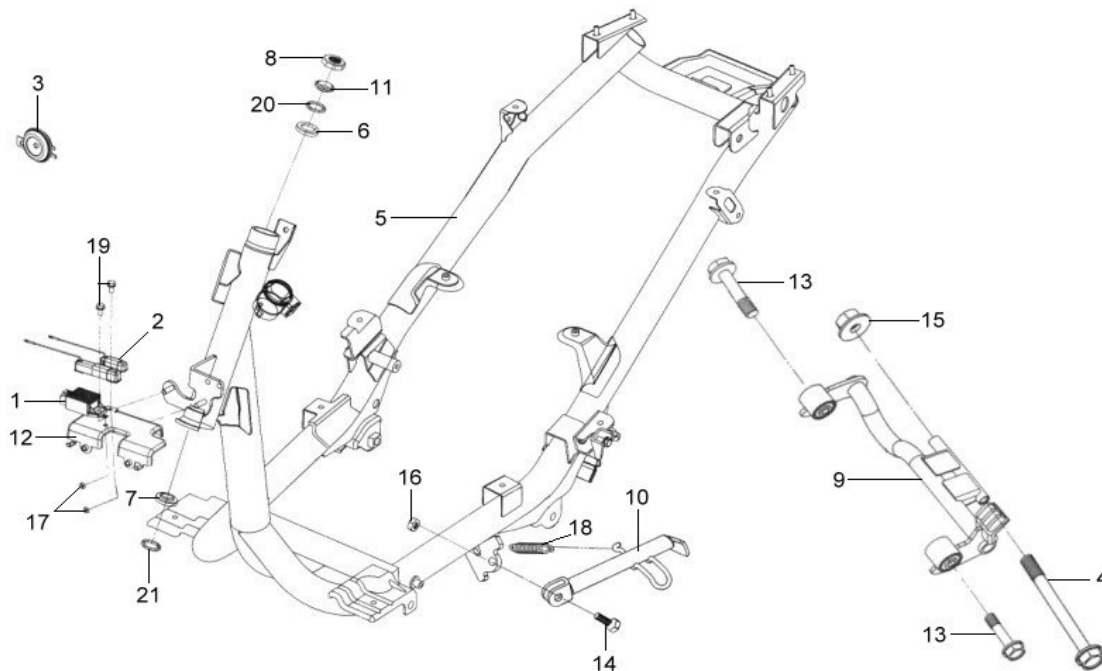
※ Please check the color & stripe information according to the color index !



Pictures reference only

PARTS NUMBER	DESCRIPTION	QTY	EFFECTIVE DATE
2 16950-A1A-000	AUTO COCK COMP.	1	
3 16952-A1A-000	CARB.AUTO COCK TUBE	1	
4 16953-A1A-000	3WAY.AUTO COCK TUBE	1	
5 17581-A7A-000	FUEL CUT VALVE	1	
6 17624-A1A-000	FUEL CAP POST SPG.	1	
7 1762A-A1A-000	FUEL CAP ASSY	1	
7 1762A-A7E-000	FUEL CAP ASSY	1	2004/11/16
8 17660-A7A-000	FILLER PIPE	1	
9 17667-TAA-900	RETURN SPRING	1	
10 37800-A7A-000	FUEL UNIT ASSY	1	
11 37801-P6A-000	BASE PACKUNG	1	
12 50150-A8B-000	RR. CARRIER BRKT. ASSY	1	
12 50150-A7E-000	RR. CARRIER BRKT. ASSY	1	2005/7/11
13 77240-A1A-000	SEAT LOCK CABLE	1	
14 77245-A7A-000	FUEL CAP LOCK CABLE	1	
15 81205-A7A-000	END CAP	2	
16 8120A-A7A-000	RR. GRIP ASSY	1	
17 90201-A7A-000	CAP NUT 6MM	2	
18 93404-06016-08	BOLT, WASH 6*16	2	
19 93903-34320	TAPPING SCREW 4*12	2	
20 94050-06080	NUT, FLANGE 6MM	4	
21 95801-06012-08	FLANGE, BOLT 6*12	1	
22 95801-06045-02	FLANGE BOLT 6*45	2	
23 17500-A7A-000	FUEL TANK	1	
24 35870-A8B-000	DC SOLENOID ASSY	1	

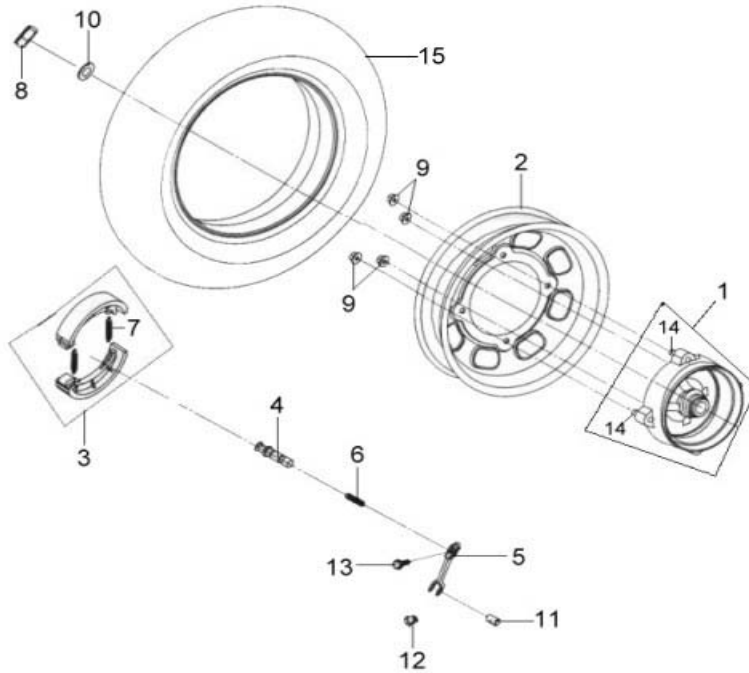
※ Please check the color & stripe information according to the color index !



Pictures reference only

PARTS NUMBER	DESCRIPTION	QTY	EFFECTIVE DATE
1 31600-A39-000	REG. REC. COMP.	1	
2 35400-A31-000	RESISTOR COMP	1	
3 38110-A1A-000	HORN COMP.	1	
4 44301-A31-000	FLANGE BOLT	1	
5 50100-A7E-000	FRAME BODY COMP	1	
6 50301-M9Q-000	STRG. UP RACE BALL	1	
7 50305-M7Q-000	STRG. UNDER BALL RACE	1	
8 50306-M9Q-000	STRG. STEM LOCK NUT	1	
9 50350-A1A-000	ENG. HANGER ASSY	1	
10 50530-A8D-000	SIDE STAND COMP	1	
11 53211-M9Q-000	STRG. TOP CONE RACE	1	
12 64315-A7A-000	FR. COVER STAY	1	
13 90106-M9Q-900	FLANGE BOLT 10*55	2	
14 90108-M9Q-000	SIDE STAND PIVOT BOLT	1	
15 90304-M9Q-900	HEX CAP NUT 6mm	1	
16 94030-08080	HEX NUT 8mm	1	
17 94050-06080	NUT, FLANGE 6MM	2	
18 50535-E60-000	SIDE SPRING A	1	
19 95801-06012-08	FLANGE, BOLT 6*12	2	
20 96211-05000	BALL, STEEL 5	25	
21 96211-05000	BALL, STEEL 5	30	

※ Please check the color & stripe information according to the color index !

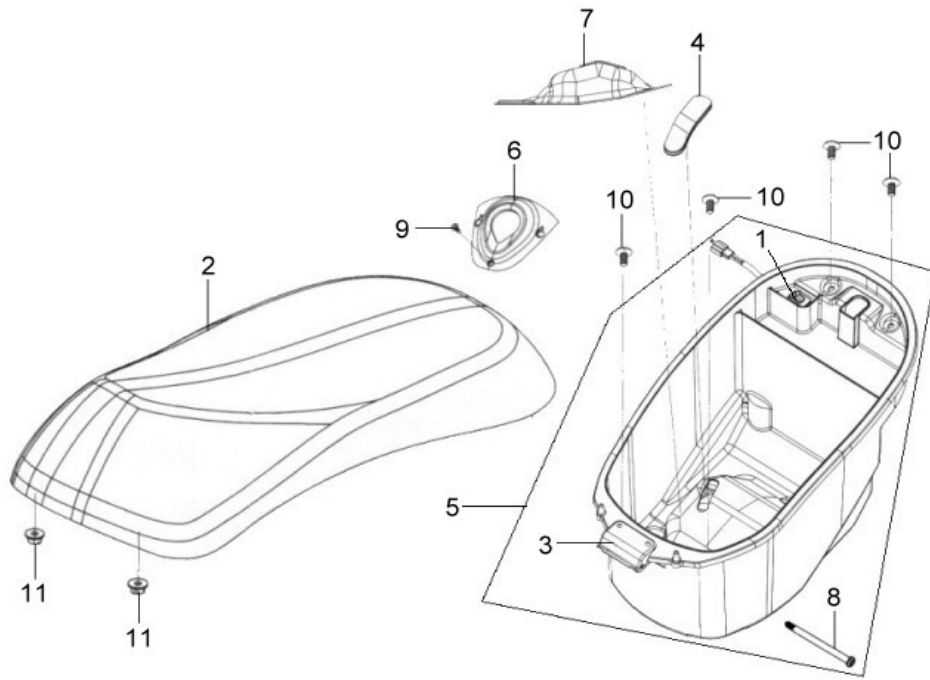


Pictures reference only

PARTS NUMBER	DESCRIPTION	QTY	EFFECTIVE DATE
1 42610-M7Q-000-SH	RR. HUB SUB COMP.	1	2004-12-14
2 42702-G03-700-SH	WHEEL RIM COMP	1	
3 4312A-E22-900	RR.BRAKE SHOE ASSY	1	
4 43141-M7Q-000	RR. BRK. CAM ASSY	1	
5 43410-A1A-000	RR. BRAKE ARM	1	
6 43472-F01-000	RR. BRK. ARM SPG	1	
7 43151-GC4-000	BRAKE SHOE SPG.	2	
7 43151-M7Q-000	BRAKE SHOE SPG.	2	
8 90305-M9Q-900	SELF-LOCK NUT 16MM	1	
9 90309-M9Q-000	SELF-LOCK NUT 8MM	4	
10 90501-M9Q-000	16mm WASHER	1	
11 95015-31001	BRAKE ARM JOINT B	1	
12 95015-41000-0A	ADJUST NUT B	1	
13 95801-08032-08	FLANGE BOLT 8*32	1	
14 90110-M9Q-300	BOLT STUD 8*22	4	
15 1T0190108-310A	TIRE ASSY	1	

※ Please check the color & stripe information according to the color index !

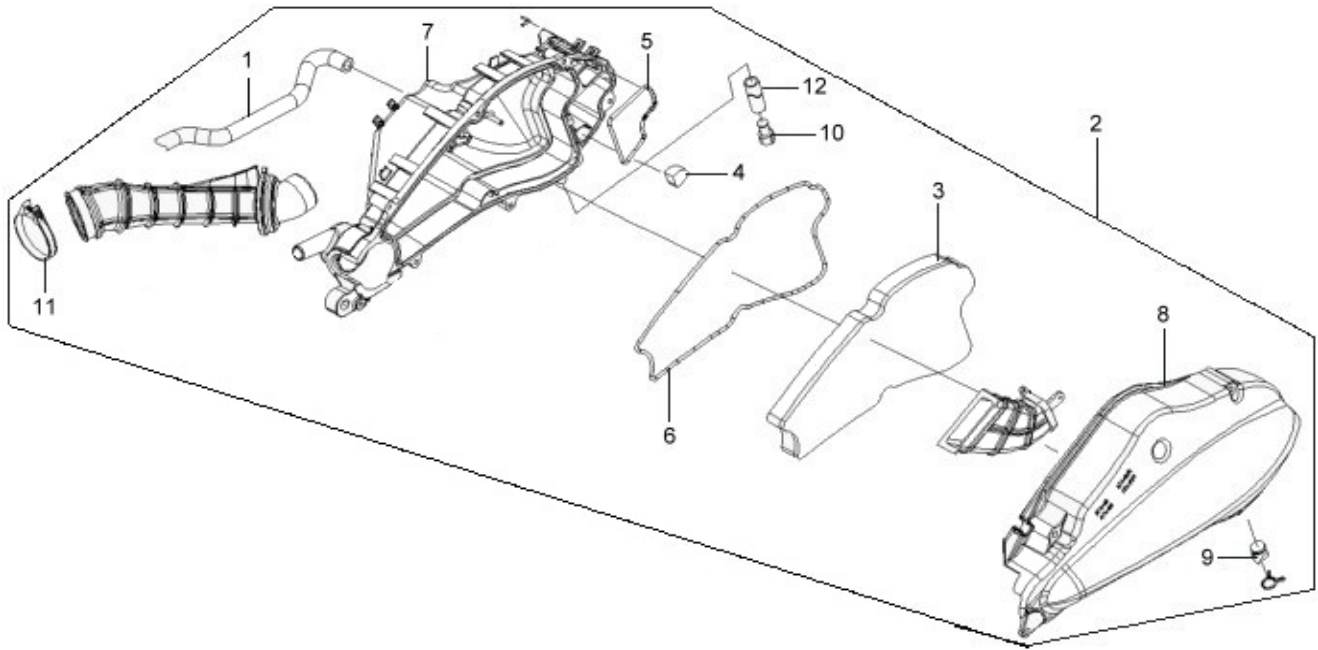




Pictures reference only

PARTS NUMBER		DESCRIPTION	QTY	EFFECTIVE DATE
1	36600-A1A-000	ENG. START CONTROL SW.	1	
2	77200-A7A-000-T2	DOUBLE SEAT COMP (coffee)	1	
2	77200-A7A-000-T3	DOUBLE SEAT COMP (black)	1	
3	77201-T36-000	SEAT HINGE	1	
4	81251-A1A-000	CARB. MAINT. COVER	1	
5	8125A-A8C-000	LUGGAGE BOX ASSY	1	
5	8125A-A7E-000	LUGGAGE BOX ASSY	1	2005/4/1
6	81500-A7A-000	TANK CAP COVER	1	
7	83630-A7A-000	LUGGAGE BOX MAT	1	
8	90105-T36-000	HINGE PIN	1	
9	90118-T15-000	WASHER SCREW 5*14	1	
9	90118-T15-900	WASHER SCREW 5*14	1	2005-3-11
10	93404-06012-07	WASHER BOLT 6*12	4	
11	94050-06080	NUT, FLANGE 6MM	2	

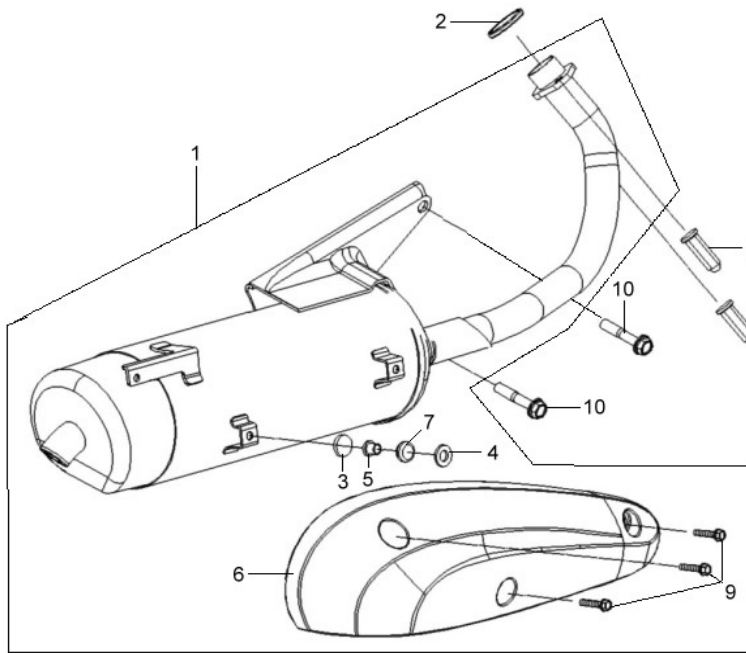
※ Please check the color & stripe information according to the color index !



Pictures reference only

PARTS NUMBER	DESCRIPTION	QTY	EFFECTIVE DATE
1 11211-A1A-000	BREATHER TUBE	1	
2 17200-A7E-000	AIR/C ASSY	1	
3 17205-A7A-000	AIR/C ELEMENT	1	
4 17209-A7A-000	ELEMENT A	1	
5 17214-A7A-000	AIR/C CASE SEAL A	1	
6 17215-A7A-000	AIR/C COVER SEAL A	1	
7 17230-A7A-000	AIR/C CASE COMP.	1	
8 17231-A7E-000	AIR/C COVER COMP	1	
9 17239-A1A-000	TUBE AIR/C DRAIN	1	
10 17370-M9Q-000	BREATHER TUBE PLUG	1	
11 90652-M8Q-000	AIR/C. CONN.TUBE BAND46	1	
12 95003-23014-60	V TUBE 8*12*190	1	

※ Please check the color & stripe information according to the color index !



Pictures reference only

PARTS NUMBER		DESCRIPTION	QTY	EFFECTIVE DATE
1	18000-A7A-020	EXH. MUFFLER ASSY.	1	
2	18292-GY1-610	EXH. PIPE GASKET	1	
3	18292-F3E-000	PROTECTOR PACKING A	3	
4	18293-F3E-000	PROTECTOR PACKING B	3	
5	18295-F3E-000	COLLAR M6	3	
6	18318-A7A-000	MUFFLER PROTECTOR	1	
7	18320-F3E-000	PROTECTOR RUBBER	3	
8	90301-M9Q-000	HEX CAP NUT 6mm	2	
9	93401-06022-00	BOLT-WASHER 6*22	3	
10	95801-08038-07	FLANGE BOLT 8*38	2	

※ Please check the color & stripe information according to the color index !

# COLOR PARTS I

N	MODEL		HU05W-6		HU05W-6	
	BASIC COLOR		BLACK		GREEN/WHITE	
	CODE		BK-0406S	BK	N-8281S/WH-003	GW
Item	Parts Number	Description	Basic Color	Code	Basic Color	Code
1	42610-M7Q-000	RR. HUB COMP.	S-877C	SH	S-877C	SH
2	44610-GW0-910	FR. HUB COMP	S-877C	SH	S-877C	SH
3	50326-A7A-000	BATTERY COVER	BK-001U	KA	BK-001U	KA
4	50612-F02-010	CAP A FLR STEP	BK-001U	KA	BK-001U	KA
5	61100-A7A-000	FR FENDER A	BK-0406S	KV	GN-8281S	ND
6	5320G-A7A-000	FR HANDLE COVER	BK-0406S	KV1	GN-8281S	ND1
7	53206-A7A-000	RR HANDLE COVER	BK-001U	KA	BK-001U	KA
8	6430G-A7C-000	FR COVER ASSY	N/A		N/A	
8-1	64301-A7A-000	FR COVER	BK-0406S	KV	GN-8281S	ND
8-2	87124-HAD-000	FR. COVER EMBLEM	TYPE1		TYPE1	
9	64300-A7A-000	FR UND. SPOILER	BK-0406S	KV1	WH-003P	WF1
10	64318-H6B-010	FRAME NUMBER LID	BK-001U	KA	BK-001U	KA
11	64310-A7A-000	FLOOR PANEL	BK-001U	KA	BK-001U	KA
12	77200-A7A-000	DOUBLE SEAT COMP	BLACK	T3	BLACK	T3
13	80151-A7A-000	CENTER COVER	BK-001U	KA	BK-001U	KA
14	8010A-A7E-000	RR FENDER ASSY	BK-001U	KA	BK-001U	KA
15	81132-M7Q-000	HOOK LUGGAGE	BK-001U	KA	BK-001U	KA
16	81131-A7A-000	FR INNER COVER	BK-001U	KA	BK-001U	KA
17	8120A-A7A-000	RR GRIP ASSY.	MFCR3		MFCR3	
18	8350G-A7A-000	R BODY COVER ASSY.	N/A		N/A	
18-1	83500-A7A-000	R BODY COVER	BK-0406S	KV	GN-8281S	ND
18-2	87125-A7A-000	BODY COVER STRIPE				
19	8360G-A7A-000	L BODY COVER ASSY.	N/A		N/A	
19-1	83600-A7A-000	L BODY COVER	BK-0406S	KV	GN-8281S	ND
19-2	87125-A7A-000	BODY COVER STRIPE				
20	83520-A7A-000	R SIDE COVER	BK-0406S	KV	WH-003P	WF
21	83620-A7A-000	L SIDE COVER	BK-0406S	KV	WH-003P	WF
22	37210-A7A-000	METER COVER	MRCR2		MRCR2	
23	83751-A8B-010	RR CENTER COVER	BK-001U	KA	BK-001U	KA
24	64410-A7A-000	FR R WINKER GARNISH	BK-0406S	KV	GN-8281S	ND
25	64420-A7A-000	FR L WINKER GARNISH	BK-0406S	KV	GN-8281S	ND

# INDEX FOR " Mio 50 "

HU05W-6		HU05W-6		HU05W-6		HU05W-6	
ORANGE/WHITE		PINK/WHITE		SILVER		YELLOW/WHITE	
RY-151CP/WH-003P	RYW	PK-507S/WH-003P	PW	S-421S	S	Y-7499P/WH-003P	YW
Basic Color	Code	Basic Color	Code	Basic Color	Code	Basic Color	Code
S-877C	SH	S-877C	SH	S-877C	SH	S-877C	SH
S-877C	SH	S-877C	SH	S-877C	SH	S-877C	SH
BK-001U	KA	GY-423U	GA	BK-001U	KA	GY-423U	GA
BK-001U	KA	GY-423U	GA	BK-001U	KA	GY-423U	GA
RY-151CP	ZJ	PK-507S	VF	S-421S	SO	Y-7499P	YQ
RY-151CP	ZJ1	PK-507S	VF1	S-421S	SO1	Y-7499P	YQ1
BK-001U	KA	BK-001U	KA	BK-001U	KA	BK-001U	KA
N/A		N/A		N/A		N/A	
RY-151CP	ZJ	PK-507S	VF	S-421S	SO	Y-7499P	YQ
TYPE1		TYPE1		TYPE1		TYPE1	
WH-003P	WF1	WH-003P	WF1	S-421S	SO1	WH-003P	WF1
BK-001U	KA	GY-423U	GA	BK-001U	KA	GY-423U	GA
BK-001U	KA	GY-423U	GA	BK-001U	KA	GY-423U	GA
COFFEE	T2	COFFEE	T2	BLACK	T3	COFFEE	T2
BK-001U	KA	GY-423U	GA	BK-001U	KA	GY-423U	GA
BK-001U	KA	BK-001U	KA	BK-001U	KA	BK-001U	KA
BK-001U	KA	GY-423U	GA	BK-001U	KA	GY-423U	GA
BK-001U	KA	BK-001U	KA	BK-001U	KA	GY-423U	GA
MFCR3		MFCR3		MFCR3		MFCR3	
N/A		N/A		N/A		N/A	
RY-151CP	ZJ	PK-507S	VF	S-421S	SO	Y-7499P	YQ
N/A		N/A		N/A		N/A	
RY-151CP	ZJ	PK-507S	VF	S-421S	SO	Y-7499P	YQ
WH-003P	WF	WH-003P	WF	S-421S	SO	WH-003P	WF
WH-003P	WF	WH-003P	WF	S-421S	SO	WH-003P	WF
MRCR2		MRCR2		MRCR2		MRCR2	
BK-001U	KA	BU-001U	KA	BU-001U	KA	BK-001U	KA
RY-151CP	ZJ	PK-507S	VF	S-421S	SO	Y-7499P	YQ
RY-151CP	ZJ	PK-507S	VF	S-421S	SO	Y-7499P	YQ

# COLOR PARTS INDEX FOR " Mio 50 "

N	MODEL		HU05W-6				
	BASIC COLOR		YELLOW				
	O	CODE	Y-7499P	Y			
Item	Parts Number	Description	Basic Color	Code			
1	42610-M7Q-000	RR. HUB COMP.	S-877C	SH			
2	44610-GW0-910	FR. HUB COMP	S-877C	SH			
3	50326-A7A-000	BATTERY COVER	GY-423U	GA			
4	50612-F02-010	CAP A FLR STEP	GY-423U	GA			
5	61100-A7A-000	FR FENDER A	Y-7499P	YQ			
6	5320G-A7A-000	FR HANDLE COVER	Y-7499P	YQ1			
7	53206-A7A-000	RR HANDLE COVER	GY-423U	GA			
8	6430G-A7C-000	FR COVER ASSY	N/A				
8-1	64301-A7A-000	FR COVER	Y-7499P	YQ			
8-2	87124-HAD-000	FR. COVER EMBLEM	TYPE1				
9	64300-A7A-000	FR UND. SPOILER	Y-7499P	YQ1			
10	64318-H6B-010	FRAME NUMBER LID	GY-423U	GA			
11	64310-A7A-000	FLOOR PANEL	GY-423U	GA			
12	77200-A7A-000	DOUBLE SEAT COMP	COFFEE	T2			
13	80151-A7A-000	CENTER COVER	GY-423U	GA			
14	8010A-A7C-000	RR FENDER ASSY	BK-001U	KA			
15	81132-M7Q-000	HOOK LUGGAGE	GY-423U	GA			
16	81131-A7A-000	FR INNER COVER	GY-423U	GA			
17	8120A-A7A-000	RR GRIP ASSY.	MFCR3				
18	8350G-A7A-000	R BODY COVER ASSY.	N/A				
18-1	83500-A7A-000	R BODY COVER	Y-7499P	YQ			
18-2	87125-A7A-000	BODY COVER STRIPE					
19	8360G-A7A-000	L BODY COVER ASSY.	N/A				
19-1	83600-A7A-000	L BODY COVER	Y-7499P	YQ			
19-2	87125-A7A-000	BODY COVER STRIPE					
20	83520-A7A-000	R SIDE COVER	Y-7499P	YQ			
21	83620-A7A-000	L SIDE COVER	Y-7499P	YQ			
22	37210-A7A-000	METER COVER	MRCR2				
23	83751-A7A-010	RR CENTER COVER	BK-001U	KA			
24	64410-A8B-000	FR R WINKER GARNISH	MRCR2				
25	64420-A8B-000	FR L WINKER GARNISH	MRCR2				

## COLOR PARTS INDEX FOR " Mio 50 " VERSION 2006

N	MODEL		HU05W-6		HU05W-6		HU05W-6		HU05W-6		HU05W-6			
	BASIC COLOR		SILVER/BLACK		BLACK/WHITE		WHITE/LATTE		WHITE/RED		WHITE/ORANGE			
	O		CODE		BK-0406S/S-421S	BKS1	BK-0406S/WH-011S	BKW1	BR-7529S/WH-011S	BW1	R-200C/WH-011S	RW1	RY-151CP/WH-011S	RYW1
Item	Parts Number	Description	Basic Color	Code	Basic Color	Code	Basic Color	Code	Basic Color	Code	Basic Color	Code	Basic Color	Code
1	42610-M7Q-000	RR. HUB COMP.	S-877C	SH	S-877C	SH	S-877C	SH	S-877C	SH	S-877C	SH	S-877C	SH
2	44610-GW0-910	FR. HUB COMP	S-877C	SH	S-877C	SH	S-877C	SH	S-877C	SH	S-877C	SH	S-877C	SH
3	50326-A7A-000	BATTERY COVER	BK-001U	KA	WH-009U	QB	WH-009U	QB	WH-009U	QB	WH-009U	QB	WH-009U	QB
5	61100-A7A-000	FR FENDER A	BK-0406S	KV	BK-0406S	KV	WH-011S	QA	WH-011S	QA	WH-011S	QA	WH-011S	QA
6	5320G-A7A-000	FR.H.C ASSY	BK-0406S	KV2	BK-0406S	KV2	WH-011S	QA2	WH-011S	QA2	WH-011S	QA2	WH-011S	QA2
7	53206-A7A-000	RR HANDLE COVER	BK-001U	KA	WH-009U	QB	WH-009U	QB	WH-009U	QB	WH-009U	QB	WH-009U	QB
8	6430G-A7C-000	FR COVER ASSY	N/A		N/A		N/A		N/A		N/A		N/A	
8-1	64301-A7A-000	FR COVER	BK-0406S	KV	BK-0406S	KV	WH-011S	QA	WH-011S	QA	WH-011S	QA	WH-011S	QA
8-2	87124-HAD-000	FR. COVER EMBLEM	TYPE1		TYPE1		TYPE1		TYPE1		TYPE1		TYPE1	
9-1	64300-A7A-000	FR UND. SPOILER	BK-0406S	KV1	-		-		-		-		RY-151CP	ZJ
9-2	6430G-A7A-600	FR. SPOILER ASSY.	-		WH-011S	QA	BR-7529S	AI	R-200C	VI	-		-	
10	64318-H6B-010	FRAME NUMBER LID	BK-001U	KA	WH-009U	QB	WH-009U	QB	WH-009U	QB	WH-009U	QB	WH-009U	QB
11	64310-A7A-000	FLOOR PANEL	BK-001U	KA	WH-009U	QB	WH-009U	QB	WH-009U	QB	WH-009U	QB	WH-009U	QB
12	77200-A7A-000	DOUBLE SEAT COMP	COFFEE/W	T6	GY/W	T5	COFFEE/W	T6	BLACK	T3	COFFEE/W	T6	COFFEE/W	T6
13	80151-A7A-000	CENTER COVER	BK-001U	KA	WH-009U	QB	WH-009U	QB	WH-009U	QB	WH-009U	QB	WH-009U	QB
14	8010A-A7C-000	RR FENDER ASSY	BK-001U	KA	BK-001U	KA	BK-001U	KA	BK-001U	KA	BK-001U	KA	BK-001U	KA
15	81132-M7Q-000	HOOK LUGGAGE	BK-001U	KA	WH-009U	QB	WH-009U	QB	WH-009U	QB	WH-009U	QB	WH-009U	QB
16	81131-A7A-000	FR INNER COVER	BK-001U	KA	WH-009U	QB	WH-009U	QB	WH-009U	QB	WH-009U	QB	WH-009U	QB
17	8120A-A7A-000	RR GRIP ASSY.	MFCR3		MFCR3		MFCR3		MFCR3		MFCR3		MFCR3	
18	8350G-A7A-000	R BODY COVER ASSY	N/A		N/A		N/A		N/A		N/A		N/A	
18-1	83500-A7A-000	R BODY COVER	BK-0406S	KV	BK-0406S	KV	BR-7529S/WH-009U	QC	R-200C/WH-099U	QE	RY-151CP/WH-009U	QF	RY-151CP/WH-009U	QF
18-2	87125-A7A-000	BODY COVER STRIPE			-		-		-		-		-	
18-3	87128-A7A-600	BODY COVER STRIPE	-										-	
19	8360G-A7A-000	L BODY COVER ASSY	N/A		N/A		N/A		N/A		N/A		N/A	
19-1	83600-A7A-000	L BODY COVER	BK-0406S	KV	BK-0406S	KV	BR-7529S/WH-009U	QC	R-200C/WH-099U	QE	RY-151CP/WH-009U	QF	RY-151CP/WH-009U	QF
19-2	87125-A7A-000	BODY COVER STRIPE			-		-		-		-		-	
19-3	87128-A7A-600	BODY COVER STRIPE	-										-	
20	83520-A7A-000	R SIDE COVER	BK-0406S	KV	WH-011S	QA	BR-7529S	AI	R-200C	VI	RY-151CP	ZJ	RY-151CP	ZJ
21	83620-A7A-000	L SIDE COVER	BK-0406S	KV	WH-011S	QA	BR-7529S	AI	R-200C	VI	RY-151CP	ZJ	RY-151CP	ZJ
22	37210-A7A-000	METER COVER	MRCR2		MRCR2		MRCR2		MRCR2		MRCR2		MRCR2	
23	83751-A7A-010	RR CENTER COVER	BK-001U	KA	WH-009U	QB	WH-009U	QB	WH-009U	QB	WH-009U	QB	WH-009U	QB
24	64410-A7A-000	FR R WINKER GARNIS	BK-0406S	KV	WH-011S	QA	BR-7529S	AI	R-200C	VI	RY-151CP	ZJ	RY-151CP	ZJ
25	64420-A7A-000	FR L WINKER GARNIS	BK-0406S	KV	WH-011S	QA	BR-7529S	AI	R-200C	VI	RY-151CP	ZJ	RY-151CP	ZJ

**PARTS NO. INDEX**

<b>PARTS NO.</b>	<b>NO.</b>	<b>PARTS NO.</b>	<b>NO.</b>	<b>PARTS NO.</b>	<b>NO.</b>
<b>11000</b>		<b>14000</b>		17231-A7E-000	F16
11100-A7C-000	E04	14100-A1A-000	E03	17239-A1A-000	F16
11102-M9Q-300	E04	14311-A1A-300	E13	17370-M9Q-000	F16
11192-A1A-000	E12	14321-A1A-000	E03	17500-A7A-000	F14
11200-A7C-000	E12	1443A-A1A-000	E02	17581-A7A-000	F14
11202-A1A-300	E12	14451-035-000	E02	17624-A1A-000	F14
11203-M9Q-300	E12	14457-A1A-000	E02	1762A-A1A-000	F14
11204-A3F-300	E12	14510-A1A-000	E03	1762A-A7E-000	F14
11211-A1A-000	F16	14520-A1A-000	E05	17660-A7A-000	F14
11331-A7C-000	E06	14523-A1A-000	E05	17667-TAA-900	F14
11341-A1A-000	E08	1453A-M92-000	E12	17910-A7A-000	F02
11342-A5A-000	E08	14610-A1A-000	E03	17910-A7E-000	F02
11343-A1A-010	E08	14711-A1A-000	E02	<b>18000</b>	
11344-A3F-000	E08	14721-A1A-000	E02	18000-A7A-020	F17
11345-A3F-000	E08	14751-H6B-000	E02	18292-F3E-000	F17
1134A-A1A-010	E08	14771-H6T-000	E02	18292-GY1-610	F17
11394-A1A-000	E04	14781-M9Q-000-A	E02	18293-F3E-000	F17
11395-A1A-010	E08	<b>15000</b>		18295-F3E-000	F17
12000		15100-A3F-000	E04	18318-A7A-000	F17
12100-A1A-000-A	E05	15131-A1A-000	E04	18320-F3E-000	F17
12101-A1A-000	E05	15421-M9Q-000	E06	18610-A1A-000	E12
12191-A1A-000	E05	15426-M9Q-000	E06	<b>19000</b>	
12200-A1A-000	E02	1565A-A1A-000	E06	19510-A1A-000	E07
12209-H6B-900	E02	<b>16000</b>		19610-A1A-000	E01
12209-M9Q-000	E02	16046-A7E-000	E14	1962A-A1A-000	E01
1220A-A7E-000	E02	16100-A7E-000-01	E14	1963A-A1A-000	E01
12251-A1A-000	E05	16201-A1A-000	E14	<b>21000</b>	
12300-A1A-000	E03	16211-A1A-000	E14	21200-A7C-000	E11
1236A-A31-000	E02	1621-883-2000	E14	21395-TAA-000	E11
1236A-V02-000	E06	16950-A1A-000	F14	<b>22000</b>	
<b>13000</b>		16952-A1A-000	F14	22000-A1A-000	E09
13000-A1A-000	E13	16953-A1A-000	F14	22100-M5Q-000	E10
13010-A1A-000	E13	<b>17000</b>		22102-A1A-010	E09
13101-A1A-000	E13	1711A-A1A-000	E14	22105-A1A-000	E09
13111-A1A-000	E13	17200-A7E-000	F16	22110-A1A-000	E09
13115-147-000	E13	17205-A7A-000	F16	22121-A30-000-A	E09
13201-A1A-000	E13	17209-A7A-000	F16	22131-A1A-000	E09
1320A-A1A-000	E13	17214-A7A-000	F16	22132-A1A-000-A	E09
13371-A1A-300	E13	17215-A7A-000	F16	22300-A1A-000	E10
13380-A1A-300	E13	17230-A7A-000	F16	22350-A1A-000	E10



PARTS NO.	NO.		PARTS NO.	NO.		PARTS NO.	NO.	
22401-M5Q-000	E10		31110-A1A-000	E07		<b>36000</b>		
22804-A3A-000	E10		31120-A7E-000	E07		36600-A1A-000	F12	
<b>23000</b>			31200-A1A-000	E12		<b>37000</b>		
23010-A1A-000	E10		31600-A39-000	F15		37200-A7E-000	F01	
23210-A1A-000	E10		<b>32000</b>			37210-A7A-000	F01	
23210-A31-000	E10		32100-A7E-000	F13		37800-A7A-000	F14	
23225-GW3-000	E10		32106-A3M-000	F02		37801-P6A-000	F14	
23226-GW3-000	E10		<b>33000</b>			<b>38000</b>		
23233-M7Q-000	E10		33100-A8D-000	F04		38110-A1A-000	F15	
23237-A31-000	E10		33107-A7A-000	F04		38300-T53-010	F04	
23238-GS7-010	E10		33400-A8D-000	F06		38500-A1A-000	F13	
23238-M7Q-000	E10		33450-A8D-000	F06		3850A-HLA-000	F04	
23411-A1A-000	E11		33600-A8D-000	F03		<b>42000</b>		
23421-TAA-000	E11		33600-A8D-010	F03		42610-M7Q-000-SH	F11	
23422-A1A-000	E11		33602-A8D-000	F03		42702-G03-600-SH	F10	
23430-A1A-000	E11		33650-A8D-000	F03		42702-G03-700-SH	F11	
23431-M7Q-300	E11		33650-A8D-010	F03		<b>43000</b>		
23432-A1A-300	E11		33652-A8D-000	F03		4312A-E22-900	F11	
<b>28000</b>			33700-A7A-000	F03		43141-M7Q-000	F11	
28101-A1A-000	E06		33700-A8D-000	F03		43151-GC4-000	F11	
28102-A3F-000	E06		33702-A7A-000	F03		43151-M7Q-000	F11	
28110-A3F-000	E04		33702-A8D-000	F03		43410-A1A-000	F11	
28124-M9Q-000	E04		33741-M9A-000	F08		43450-A7A-000	F02	
28125-A1A-000	E04		<b>34000</b>			43472-F01-000	F11	
28126-M9Q-000	E04		34901-N01-000	F04		<b>44000</b>		
2812A-A1A-000	E04		34905-A8D-000	F03		44301-A31-000	F15	
28211-KBN-900	E09		34905-A8D-000	F06		44301-GW0-910	F10	
28223-KBN-900	E08		34906-A8D-000	F03		44311-GW0-910	F10	
2823A-A1A-000	E08		34906-M9Q-000	F03		44610-GW0-910-SH	F10	
28250-A1A-010	E08		34908-M7Q-000	F04		44620-GW0-910	F10	
28253-M7Q-000	E08		<b>35000</b>			44800-KBN-900	F10	
28281-A1A-000	E08		35010-A8D-000	F13		44830-T47-000	F01	
28300-A1A-000	E08		35010-A8D-010	F13		<b>45000</b>		
<b>30000</b>			35100-A8D-000	F13		45100-A3B-000	F02	
30410-A1A-910	F13		35100-A8D-010	F13		45105-GM9-743-A	F02	
30510-A1A-000	F13		35150-A8B-000	F02		45121-M9Q-003	F10	
3051A-A1A-000	F13		35200-A8B-000	F02		45126-A8B-000	F02	
30700-M92-000	F13		35340-A7A-000	F02		45156-A8B-000	F05	
30700-M9Q-000	F13		35400-A31-000	F15		45500-A8B-000	F02	
<b>31000</b>			35870-A8B-000	F14		45517-A8B-000	F02	

PARTS NO.	NO.		PARTS NO.	NO.		PARTS NO.	NO.	
<b>50000</b>			53174-TDE-000	F02		64318-H6B-010-KA	F04	
50100-A7E-000	F15		53175-A8B-000	F02		64410-A7A-000-KV	F06	
50150-A7E-000	F14		53178-A7A-000	F02		64410-A7A-000-ND	F06	
50150-A8B-000	F14		53200-A8B-000	F05		64410-A7A-000-SO	F06	
50301-M9Q-000	F15		53206-A7A-000-GA	F01		64410-A7A-000-VF	F06	
50305-M7Q-000	F15		53206-A7A-000-KA	F01		64410-A7A-000-YQ	F06	
50306-M9Q-000	F15		5320G-A7A-000-KV1	F01		64410-A7A-000-ZJ	F06	
50326-A7A-000-GA	F07		5320G-A7A-000-ND1	F01		64410-A8B-000	F06	
50326-A7A-000-KA	F07		5320G-A7A-000-SO1	F01		64420-A7A-000-KV	F06	
50350-A1A-000	F15		5320G-A7A-000-VF1	F01		64420-A7A-000-ND	F06	
50500-A1A-000	F05		5320G-A7A-000-VF2	F01		64420-A7A-000-SO	F06	
50500-A7E-000	F05		5320G-A7A-000-YQ	F01		64420-A7A-000-VF	F06	
50502-A1A-000	F05		5320G-A7A-000-YQ1	F01		64420-A7A-000-YQ	F06	
50504-A1A-000	F05		5320G-A7A-000-ZJ1	F01		64420-A7A-000-ZJ	F06	
50505-A1A-000	F05		53211-M9Q-000	F15		64420-A8B-000	F06	
50505-E60-000	F05		53212-M7Q-000	F05		<b>70000</b>		
50530-A8D-000	F15		<b>61000</b>			70529-M9Q-000	F08	
50535-E60-000	F15		61100-A7A-000-KV	F05		<b>75000</b>		
50612-F02-010-GA	F04		61100-A7A-000-ND	F05		75581-T53-000	F03	
50612-F02-010-KA	F04		61100-A7A-000-SO	F05		<b>77000</b>		
50613-A1A-000	F08		61100-A7A-000-VF	F05		77200-A7A-000-T2	F12	
50613-A1A-000	F09		61100-A7A-000-YQ	F05		77200-A7A-000-T3	F12	
50613-A7A-000	F09		61100-A7A-000-ZJ	F05		77201-T36-000	F12	
50614-A7A-000	F09		61101-A7A-000	F05		77236-T53-000	F03	
50710-A7A-000	F09		61104-A7A-000	F05		77239-T53-000	F03	
50715-A7A-000	F09		<b>64000</b>			77239-T53-000	F13	
50718-A7A-000	F09		64300-A7A-000-KV1	F06		77240-A1A-000	F14	
50720-A7A-000	F09		64300-A7A-000-SO1	F06		77245-A7A-000	F14	
<b>51000</b>			64300-A7A-000-WF1	F06		<b>80000</b>		
51400-A34-002	F05		64300-A7A-000-YQ1	F06		80105-A1A-000	F08	
51500-A34-002	F05		64301-A7A-000-KV	F04		80106-A5A-000	F08	
<b>52000</b>			64301-A7A-000-ND	F04		8010A-A7C-000-KA	F08	
52400-A1A-000	F07		64301-A7A-000-SO	F04		8010A-A7E-000-KA	F08	
<b>53000</b>			64301-A7A-000-VF	F04		80151-A7A-000-GA	F07	
53100-A8B-000	F02		64301-A7A-000-YQ	F04		80151-A7A-000-KA	F07	
53125-M9Q-000	F02		64301-A7A-000-ZJ	F04		<b>81000</b>		
53140-A7A-000	F02		64310-A7A-000-GA	F04		81131-A7A-000-GA	F04	
53140-A7A-900	F02		64310-A7A-000-KA	F04		81131-A7A-000-KA	F04	
53166-TAA-000	F02		64315-A7A-000	F15		81132-M7Q-000-GA	F04	
53166-TAA-900	F02		64318-H6B-010-GA	F04		81132-M7Q-000-KA	F04	

PARTS NO.	NO.	PARTS NO.	NO.	PARTS NO.	NO.
81205-A7A-000	F14	90031-A1A-000	E05	90443-X01-000	E02
8120A-A7A-000	F14	90032-A1A-000	E05	90451-M7Q-000	E08
81251-A1A-000	F12	90105-KR3-000	F10	90454-M7Q-000	E11
8125A-A7E-000	F12	90105-T36-000	F12	90488-700-000	E12
8125A-A8C-000	F12	90106-M9Q-000	F02	90501-M9Q-000	F11
81500-A7A-000	F12	90106-M9Q-900	F15	90545-M9Q-000	F02
<b>83000</b>		90108-M9Q-000	F15	90603-M7Q-000	E10
83500-A7A-000-KV	F03	90110-KG8-900	F10	90652-A1A-000	E14
83500-A7A-000-ND	F03	90110-M9Q-300	F11	90652-M8Q-000	F16
83500-A7A-000-SO	F03	90113-M8Q-000	F06	90702-M9Q-000	E13
83500-A7A-000-YQ	F03	90114-N01-000	F01	90703-M8Q-000	E05
83500-A7A-000-ZJ	F03	90114-N01-000	F05	90703-M8Q-000	E11
83520-A7A-000-KV	F07	90115-A7A-000	F02	90741-M7Q-000	E13
83520-A7A-000-SO	F07	90118-HAA-000	F07	90754-M9Q-000-M2	F10
83520-A7A-000-WF	F07	90118-HAA-000	F08	90912-M9Q-000	F10
83520-A7A-000-YQ	F07	90118-T15-000	F12	<b>91000</b>	
83600-A7A-000-KV	F03	90118-T15-900	F12	91001-M6Q-000	E13
83600-A7A-000-ND	F03	90119-G03-000	F04	91002-A3A-300	E10
83600-A7A-000-SO	F03	90119-G03-900	F08	91003-A1A-300	E13
83600-A7A-000-YQ	F03	90131-GW0-910	F02	91004-A1A-300	E13
83600-A7A-000-ZJ	F03	90145-M9Q-000	F02	91005-A1A-000	E11
83620-A7A-000-KV	F07	90201-A3F-000	E04	91006-A1A-300	E11
83620-A7A-000-SO	F07	90201-A7A-000	F14	91028-M7Q-000	E11
83620-A7A-000-WF	F07	90201-X01-000	E02	91103-M7Q-000	E10
83620-A7A-000-YQ	F07	90202-M9Q-000	E10	91104-M9Q-000	E04
83630-A7A-000	F12	90206-HLK-000	E02	91105-M9Q-000	E04
83751-A7A-010-KA	F03	90301-M9Q-000	F17	91201-A31-000	E06
83751-A8B-010-KA	F03	90302-V02-000	F04	91204-A1A-000	E09
<b>84000</b>		90302-V02-000	F06	91204-A1A-000	E11
84702-A8D-000	F03	90302-V02-000	F08	91211-A3A-000	E10
8470A-A7E-000	F03	90304-M9Q-000	F02	91254-M7Q-000	E11
<b>87000</b>		90304-M9Q-900	F15	91258-M9Q-000	F10
87124-HAD-000	F04	90305-M9Q-900	F11	91301-M7Q-000	E03
87125-A7A-000	F03	90306-M9Q-000	F10	91302-A3A-000	E10
<b>88000</b>		90309-M9Q-000	F10	91302-M9Q-000	E06
88110-A8D-000	F01	90309-M9Q-000	F11	91303-A31-000	E02
88120-A8D-000	F01	90403-A3F-000	E04	91304-GW3-003	E14
<b>90000</b>		90412-M7Q-000	E08	91304-M9Q-000	E12
90002-M9Q-000	E04	90426-KBN-900	E09	91351-642-000	E10
90012-M9Q-000	E02	90442-M7Q-000	E10	<b>92000</b>	

PARTS NO.	NO.	PARTS NO.	NO.	PARTS NO.	NO.
92101-05010-0H	E07	94050-10000	E10	96211-05000	F15
92101-05020-0H	F13	94109-12000	E12	96211-05000	F15
92800-12000	E12	94301-08140	E04	96700-06020-00	F02
92900-06050-0E	E02	94301-08140	E12	<b>DRIVE BELT</b>	
<b>93000</b>		94511-14000	E08	1B01A1A01	E09
93201-08032-0H	F07	94520-24000	E10	<b>CAM CHAIN</b>	
93401-05012-08	F05	<b>95000</b>		1C14401-A1A-000	E03
93401-06022-00	F17	95003-23014-60	F16	<b>SPARK PLUG</b>	
93404-06012-07	F08	95014-62200	F01	1PCR6HSA-3	E02
93404-06012-07	F12	95015-31001	F11	<b>TIRE</b>	
93404-06016-08	F04	95015-41000-0A	F11	1T0190108-310A	F10
93404-06016-08	F14	95701-06016-00	E07	1T0190108-310A	F11
93404-06020-07	F08	95701-06016-00	E12	<b>BATTERY</b>	
93600-06020-0H	E04	95701-08012-00	E12	1Y01A5K01-Y	F07
93700-05018-0A	F10	95701-08016-08	E03	<b>CARB. FIXING SET</b>	
93892-05012-08	F13	95801-06010-08	F05	A7E-1	E14
93901-25180	E08	95801-06012-08	F02	A7E-2	E14
93903-34120	F04	95801-06012-08	F05	A7E-3	E14
93903-34320	F03	95801-06012-08	F14	A7E-4	E14
93903-34320	F06	95801-06012-08	F15	A7E-5	E14
93903-34320	F07	95801-06016-00	F13		
93903-34320	F14	95801-06020-00	E03		
93903-34380	F01	95801-06022-07	E08		
93903-34380	F04	95801-06045-02	F14		
93903-34380	F05	95801-08032-08	F11		
93903-34380	F07	95801-08038-07	F17		
93903-34480	F03	95801-08040-00	F05		
93903-34480	F07	95801-10035-08	F07		
93904-35380	E01	95801-10040-08	F05		
<b>94000</b>		95801-10045-08	F05		
94001-12200-0S	E09	<b>96000</b>			
94030-08080	F15	96001-06010-00	E02		
94050-05080	F08	96001-06016-00	E05		
94050-06000	E14	96001-06016-00	F13		
94050-06080	F03	96001-06020-00	E01		
94050-06080	F09	96001-06020-00	E07		
94050-06080	F12	96001-06035-00	E08		
94050-06080	F14	96001-06045-00	E04		
94050-06080	F15	96001-06080-00	E02		
94050-10000	E07	96100-62023-00	E11		