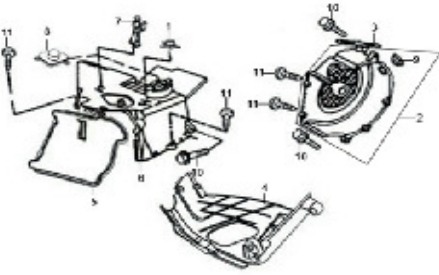




# CONTENTS—ENGINE GROUP

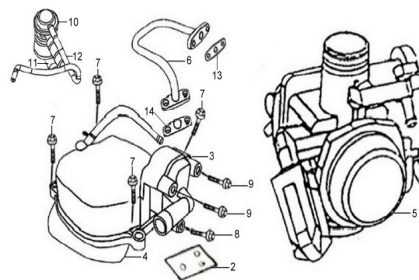
E01

FAN COVER·ENGINE SHROUD



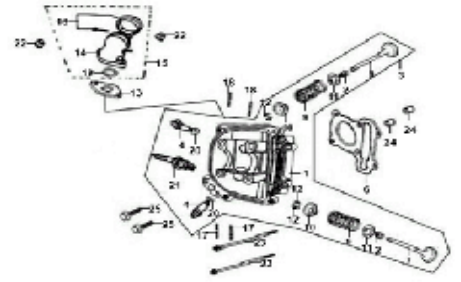
E02

CYLINDER HEAD COVER·CARBURETOR



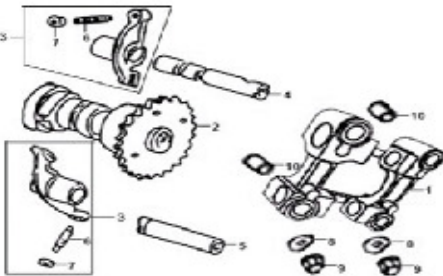
E03

CYLINDER HEAD·HOLD



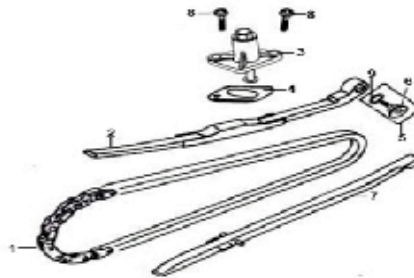
E04

CAM SHAFT·VALVE



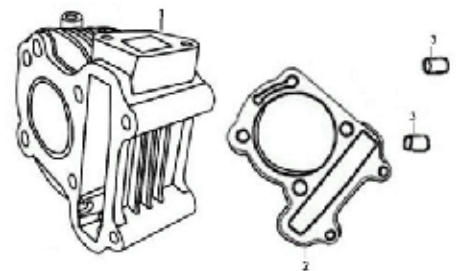
E05

CAM CHAIN·TENSIONER



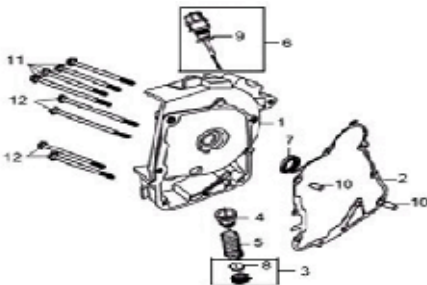
E06

CYLINDER



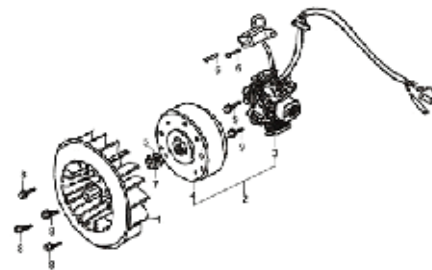
E07

RIGHT CRANK CASE COVER



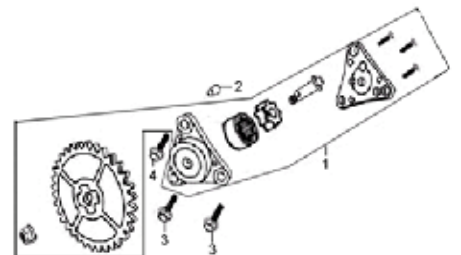
E08

GENERATOR·FLY WHEEL



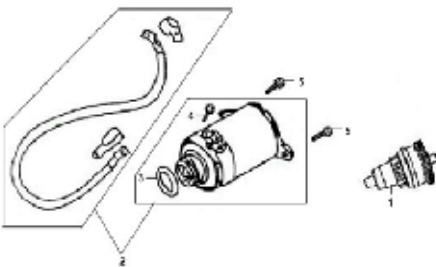
E09

OIL PUMP



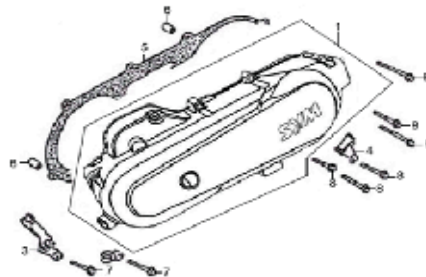
E10

STARTER MOTOR·CLUTCH OUTER



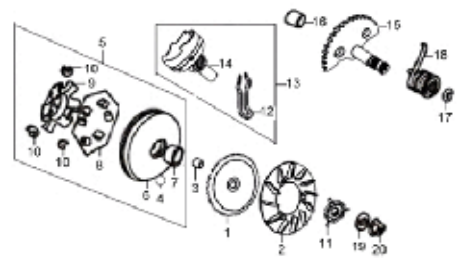
E11

LEFT CRANK CASE COVER



E12

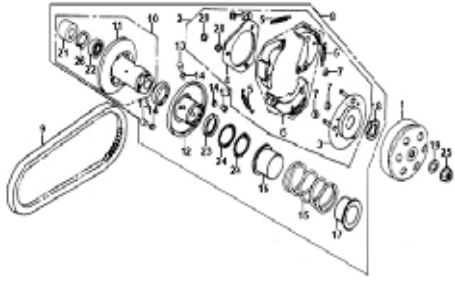
DRIVE FACE·KICK STARTER SPINDLE



# CONTENTS—ENGINE GROUP

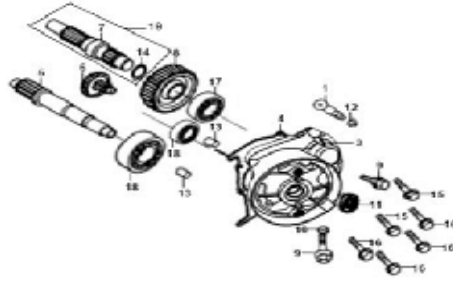
E13

DRIVEN PULLEY



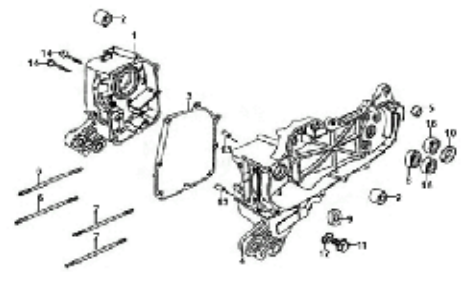
E14

TRANSMISSION



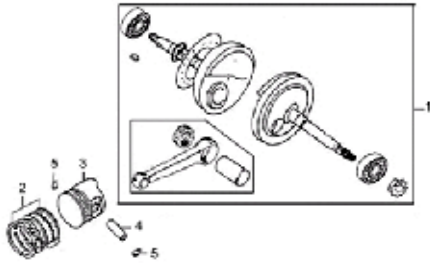
E15

CRANK CASE



E16

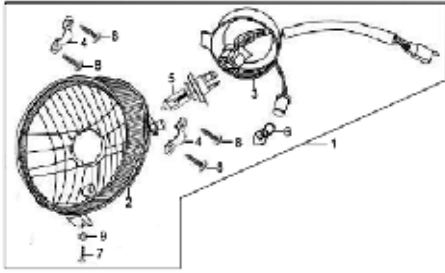
CRANK SHAFT-PISTON



# CONTENTS-FRAME GROUP

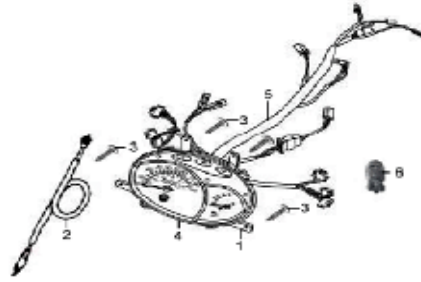
F01

HEAD LIGHT



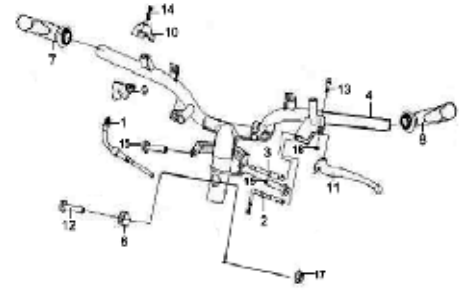
F02

SPEEDOMETER



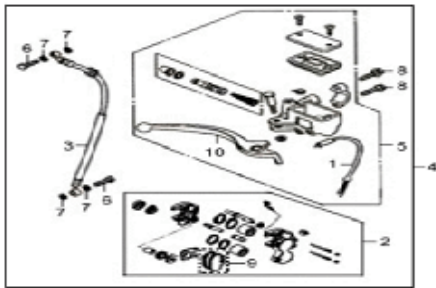
F03

CABLE SWITCH-HANDLE LEVER



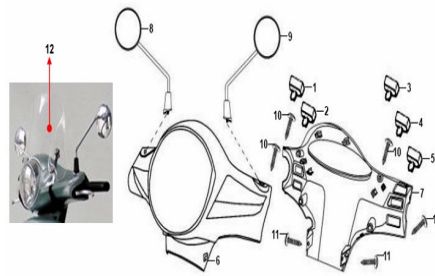
F04

FRONT BRAKE MASTER CYLINDER



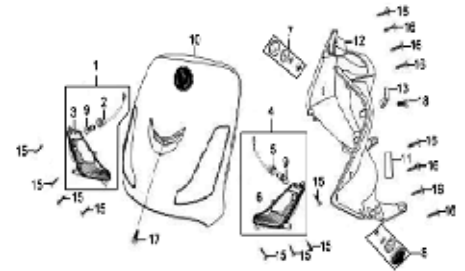
F05

HANDLE PIPE-HANDLE COVER



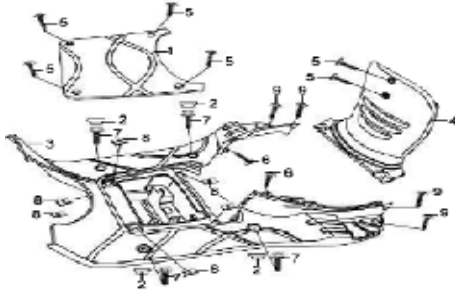
F06

FRONT COVER-FRONT INNER BOX



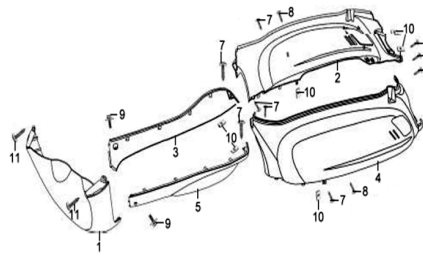
F07

FLOOR PANEL-CENTER COVER



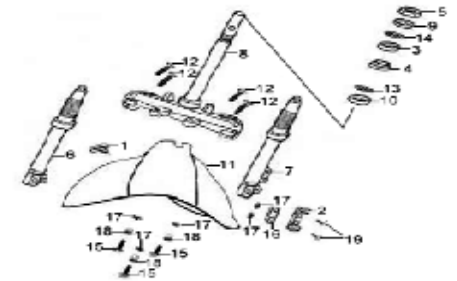
F08

BODY COVER



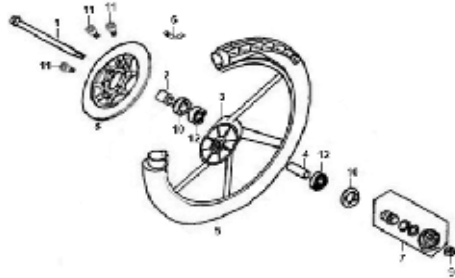
F09

STEERING STEM-FRONT CUSHION



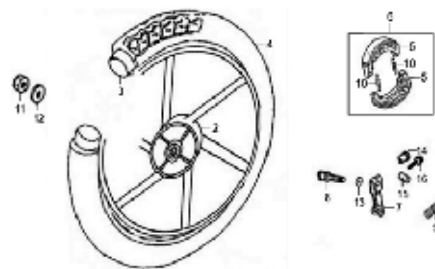
F10

FRONT WHEEL



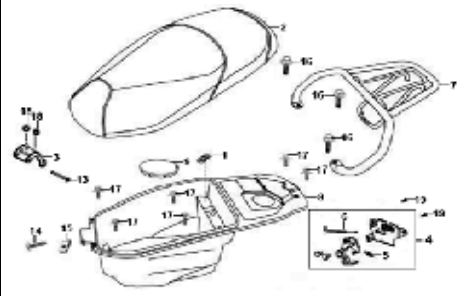
F11

REAR WHEEL



F12

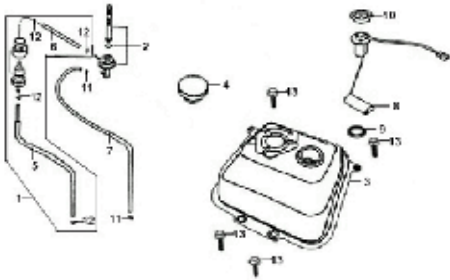
SEAT-REAR GRIP



# CONTENTS—FRAME GROUP

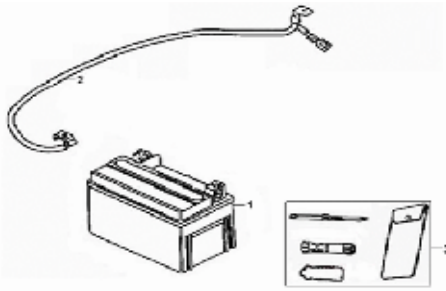
F13

FUEL TANK



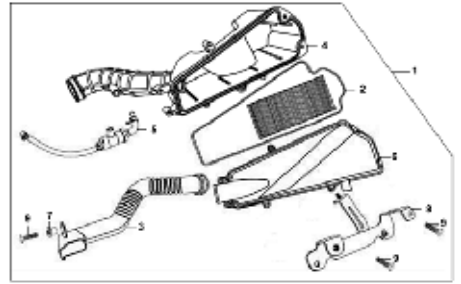
F14

BATTERY TOOL BOX



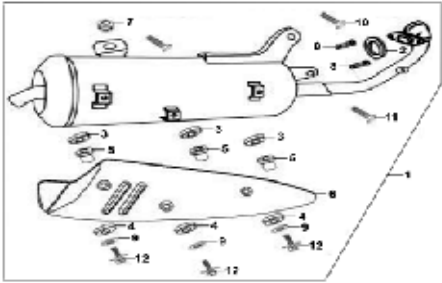
F15

AIR CLEANER



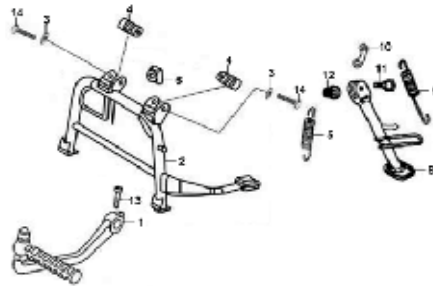
F16

EXH. MUFFLER



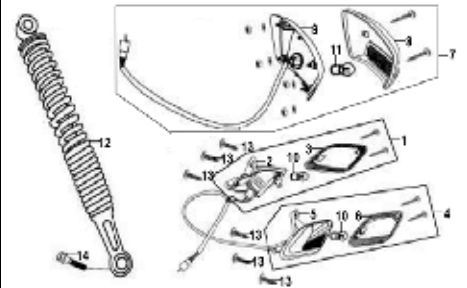
F17

MAIN STAND-KICK STARTER ARM



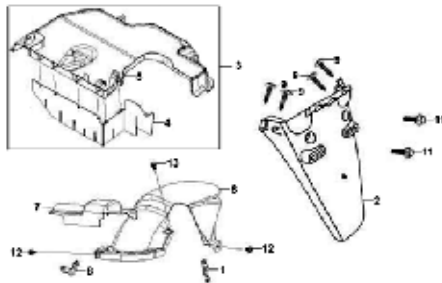
F18

TAIL LIGHT-RR. CUSHION



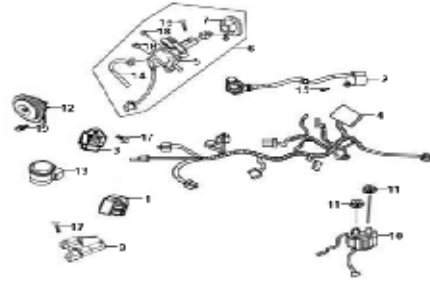
F19

REAR FENDER-REAR INNER FENDER



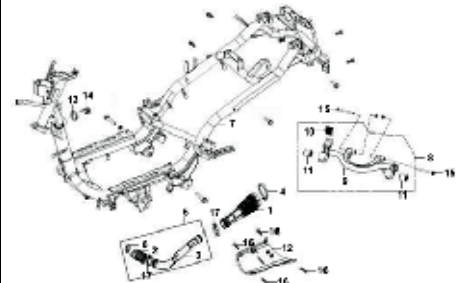
F20

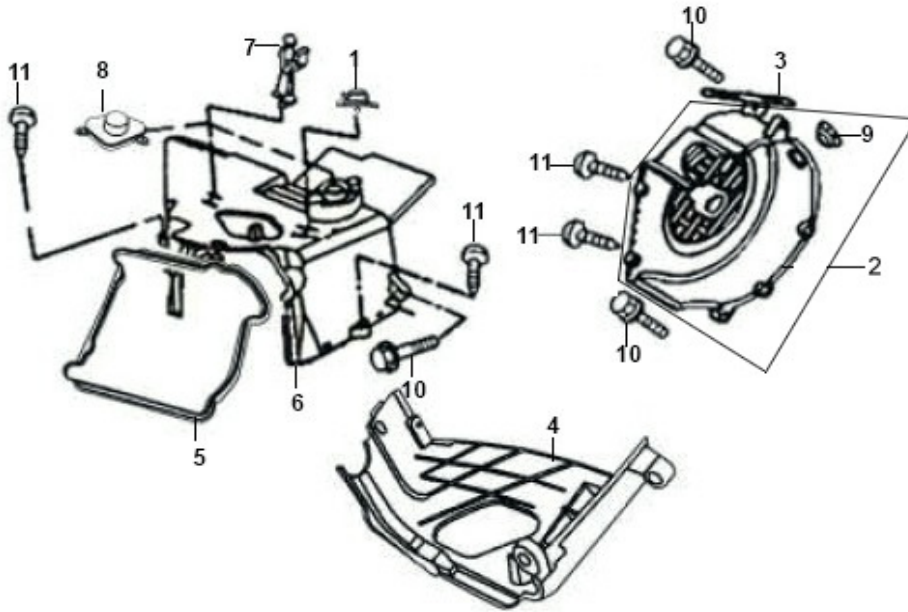
WIRE HARNESS



F21

FRAME BODY-ENGINE HANGER

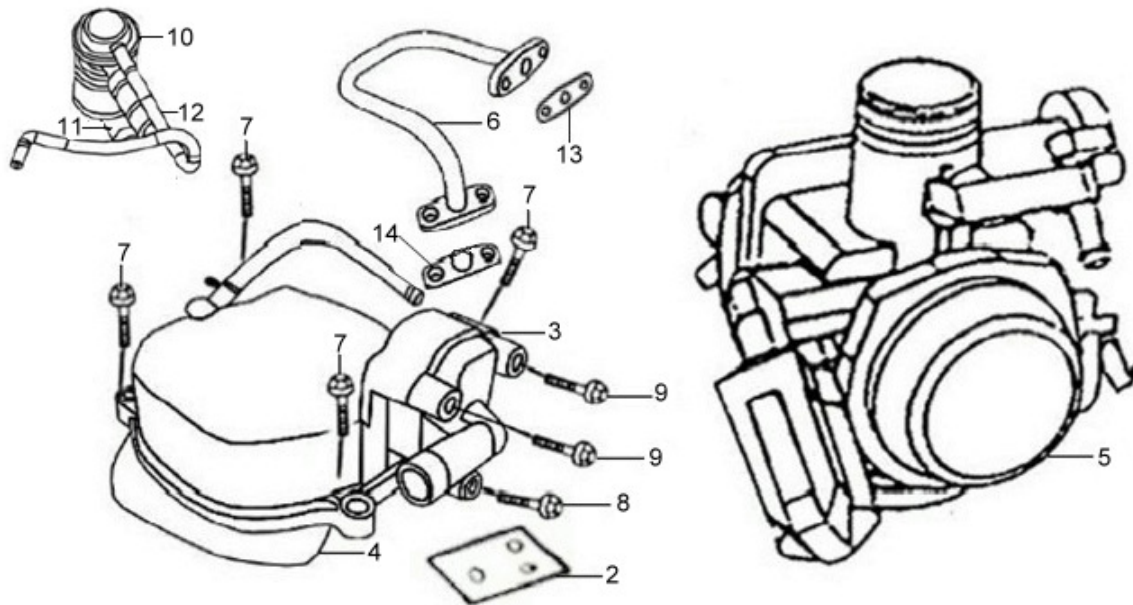




Pictures reference only

PARTS NUMBER	DESCRIPTION	QTY	EFFECTIVE DATE
1 11384-BE2-A00	N/A BREATHER TUBE CLAMPER	1	
2 1961A-BE2-A00	FAN COVER ASS'Y□	1	
3 19613-GY6-900	START. MOTOR CORD CLAMPER	1	
4 1962A-BE2-A00	SHROUD A	1	
5 19625-BE2-A00	SHROUD AB SEAL□	1	
6 1963A-BE2-A00	SHROUD B	1	
7 19632-BE2-A00	N/A HIGH TENSION CORD CLIP	1	
8 19633-BE2-A00	N/A SHROUD B GROMMET	1	
9 70529-657-670	N/A SIDE PANEL GROMMET B	1	
10 93904-35380	TAP SCREW 5X16	3	
11 96001-06025-08	FLANGE BOLT SH 6X25	4	

※ Please check the color & stripe information according to the color index !

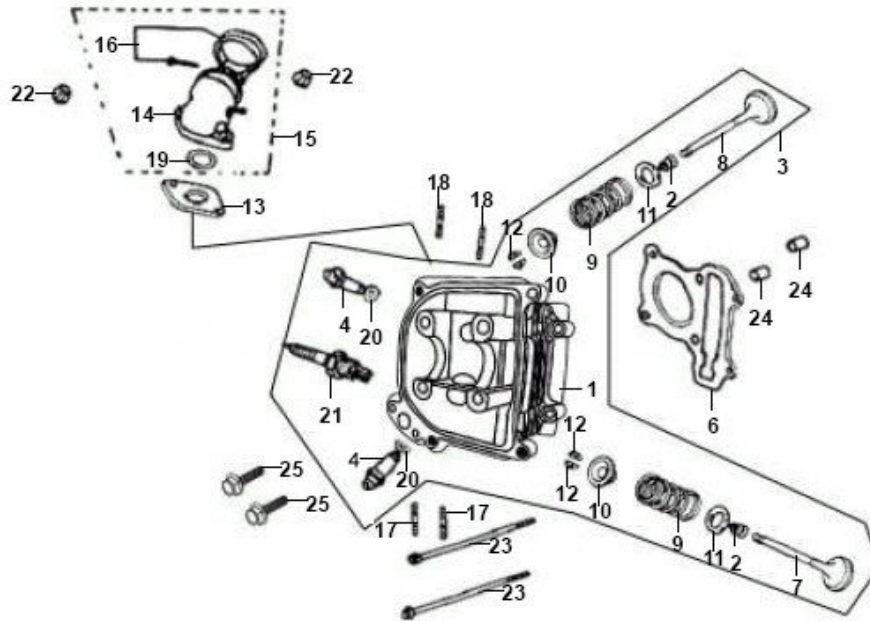


Pictures reference only

PARTS NUMBER	DESCRIPTION	QTY	EFFECTIVE DATE
1 11211-AAA-000	BREATHER TUBE	1	
2 12302-BE2-A00	BREATHER SEPARATE PLATE □	1	
3 12301-BE2-A00	CYLINDER HEAD COVER	1	
4 12391-BE2-A00	CYLINDER HEAD COVER	1	
5 16100-AAB-000	CARBURETOR □ (25/30KPH)	1	
5-1 16101-AAA-A00	CARB. AUTO BY-ST ASSY	1	
5-2 AAB-1	CARB. NEEDLE FIXING SET.	1	
5-3 AAA-2	CARB. SCREW FIX SET.	1	
5-4 AAA-3	CARB. FLOAT FIX SET.	1	
5-5 AAA-4	CARB. F.C.B FIX SET.	1	
5-6 AAA-5	CARB. GASKET FIX SET.	1	
6 18647-GY6-940	AIR PIPE COMP	1	
7 95701-06025-08	FLANG BOLT 8X25	4	
8 96001-06022-08	FLANGE BOLT SH 6X22	1	
9 96001-06025-08	FLANGE BOLT SH 6X25	2	
10 1865A-AAA-000	AICV UNIT	1	
11 18657-H69-000	AICV REED VALUE TUBE	1	
12 18860-H6H-910	AICV JOINT TUBE ASSY	1	
13 18645-M9Q-000	A/I PIPE GASKET A	1	
14 18646-M9Q-000	A/I PIPE GASKET B	1	

※ Please check the color &amp; stripe information according to the color index !

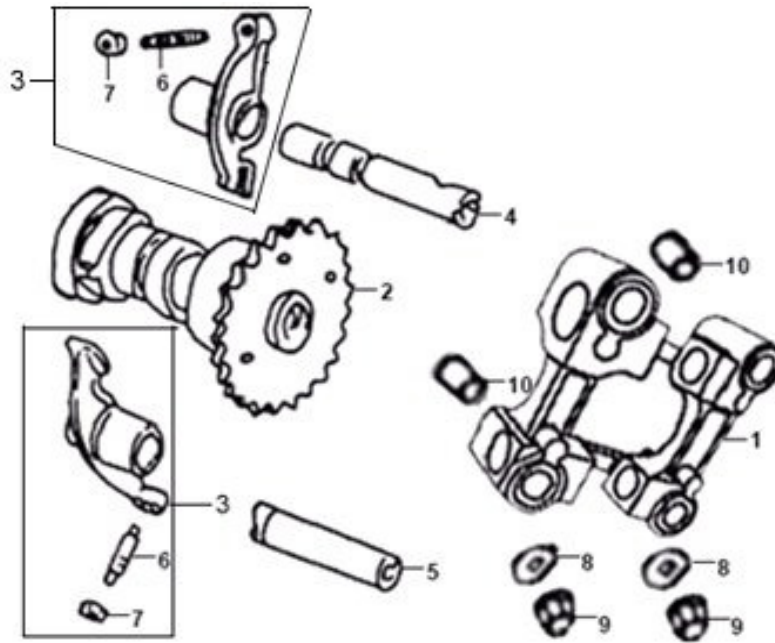
TEAMWORLD IND. 2008.03



Pictures reference only

PARTS NUMBER		DESCRIPTION	QTY	EFFECTIVE DATE
1	12200-BE2-A00	CYLINDER HEAD	1	
2	12209-GB4-681	VALVE STEM SEAL	2	
3	1220A-BE2-A00	N/A CYL. HEAD ASSY	1	
4	12237-BE2-A00	IN/EX VALVE GUIDE	2	
6	12251-BE2-A00	CYLINDER HEAD GASKET	1	
7	14711-BE2-A00	INLET VALVE	1	
8	14721-BE2-A00	EXHAUST VALVE	1	
9	14751-GN5-911-KD	VALVE OUTER SPG.	2	
10	14771-GB4-680	VALVE SPRING RETAINER	2	
11	14775-MA6-000	VALVE SPG SEAT OUTER	2	
12	14781-MA6-000-A	VALVE COTTER(1SET/4PCS)	1	
13	1621A-BE2-A00	CRAB. INSULATOR	1	
14	17110-BE2-A00	N/A INLET PIPE COMP	1	
15	1711A-BE2-A00	INLET PIPE	1	
16	17256-BE2-A00	N/A INSULATOR BAND	1	
17	90032-M9Q-300	CYLINDER STUD BOLT B 6X32	2	
18	90033-V02-000	STUD BOLT 6X50	2	
19	91301-BE2-A00	N/A O-RING 21.5X2	1	
20	91305-M9Q-000	O-RING 9.0X1.6	2	
21	1PCR7HSA-3	PLUG CR7HSA	1	
22	94050-06080	FLANGE NUT 6MM	2	
23	96001-06085-08	SH. FLANGE BOLT M6*85	2	
24	90702-VA2-000	DOWEL PIN 8X14	2	
25	90032-M9Q-300	CYLINDER STUD BOLT B 6X32	2	

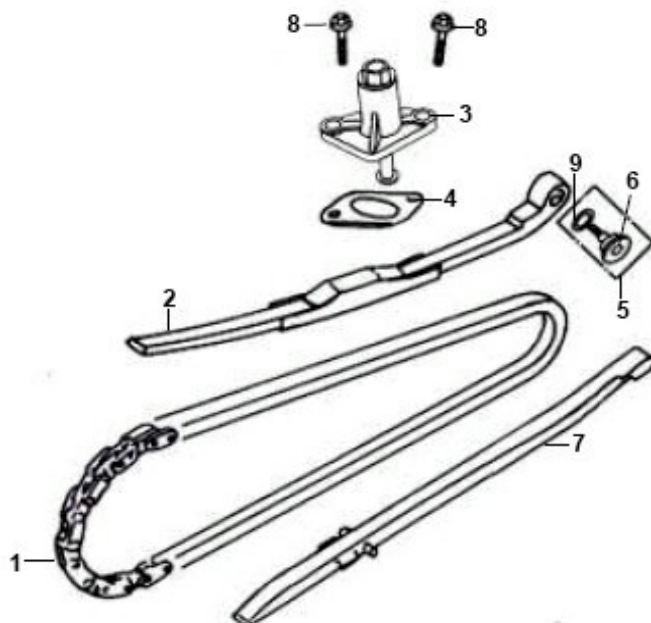




Pictures reference only

PARTS NUMBER		DESCRIPTION	QTY	EFFECTIVE DATE
1	12211-BE2-A00	CAM SHAFT HOLDER	1	
2	14100-BE2-A00	CAM SHAFT	1	
3	1443K-BE2-A00	VALVE ROCKER ARM ASSY	2	
4	14450-BE2-A00	IN. ROCKER ARM SHAFR COMP	1	
5	14452-BE2-A00	EX. ROCKER ARM SHAFR COMP	1	
6	90012-333-000	TAPPET ADJG. SCREW	2	
7	90206-001-000	TAPPET ADJG. NUT	2	
8	90443-BE2-A00	WASHER 7*14*2□	4	
9	94050-07080	FLANGE NUT M7	4	
10	90702-VA2-000	DOWEL PIN 8X14	2	

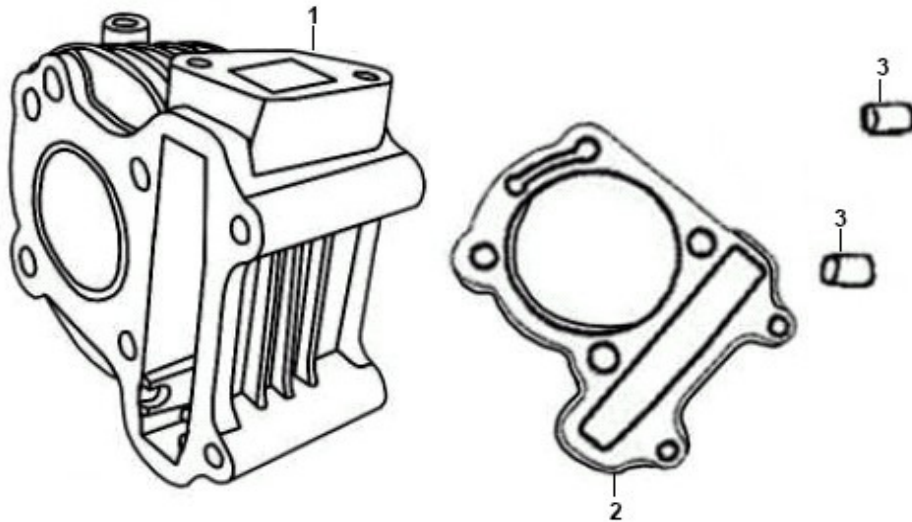
※ Please check the color & stripe information according to the color index !



Pictures reference only

PARTS NUMBER	DESCRIPTION	QTY	EFFECTIVE DATE
1	1C14401-BE2-A00	1	
2	14510-BE2-A00	1	
3	14520-BE2-A00	1	
4	14523-BE2-A00	1	
5	1453A-V02-000	1	
6	14531-GR0-000	1	
7	14610-BE2-A00	1	
8	96001-06018-08	2	
9	91301-GR0-003-KD	1	

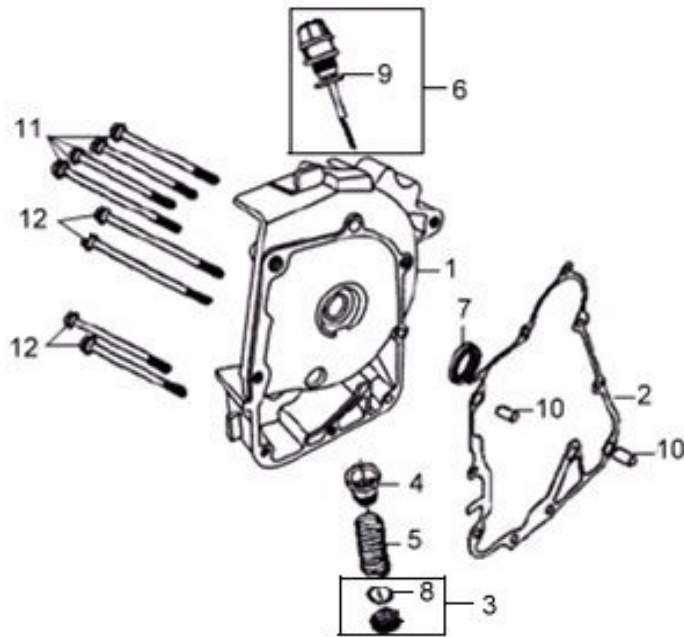
※ Please check the color & stripe information according to the color index !



Pictures reference only

PARTS NUMBER	DESCRIPTION	QTY	EFFECTIVE DATE
1 12101-BE2-A00	CYLINDER	1	
2 12191-BE2-A00	CYLINDER GASKET	1	
3 90702-VA2-000	DOWEL PIN 8X14	2	

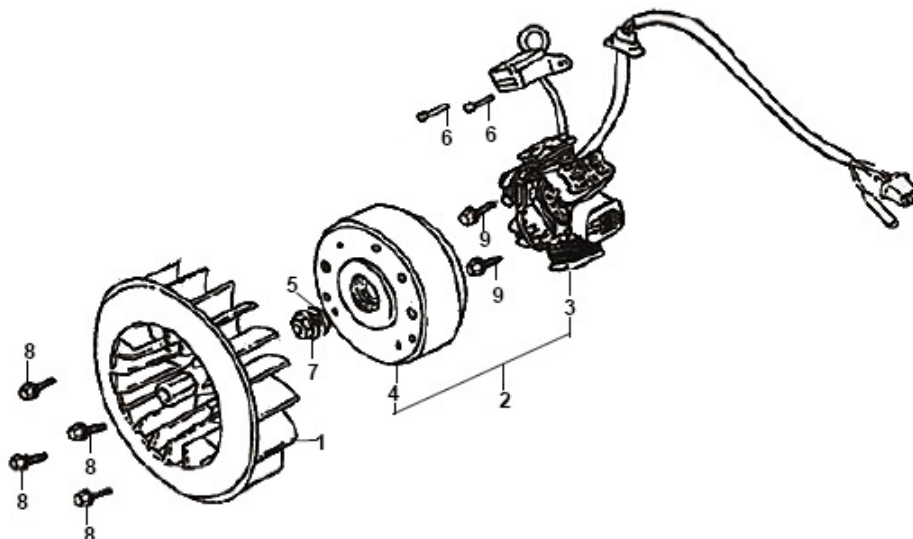
※ Please check the color & stripe information according to the color index !



Pictures reference only

PARTS NUMBER	DESCRIPTION	QTY	EFFECTIVE DATE
1 11331-BE2-A00	R. CRANK CASE COVER	1	
2 11394-BE2-A00	R. COVER GASKET	1	
3 1236A-V02-000	TAPPET ADJ HOLE CAP ASSY	1	
4 15421-H66-000	OIL FILTER SCREW	1	
5 15426-GE1-920	OIL FILTER SCREW SPRING	1	
6 1565A-V02-000	OIL LEVEL GAUGE ASSY	1	
7 91201-BE2-A00	OIL SEAL 16.4*30*6	1	
8 91302-M9T-000	O-RING 30.8*3.2	1	
9 91307-035-000	O-RING 18X3	1	
10 94301-08140	DOWEL PIN 8X14	2	
11 96001-06085-08	SH. FLANGE BOLT M6*85	4	
12 96001-06100-08	FLANGE BOLT SH 6X100	4	

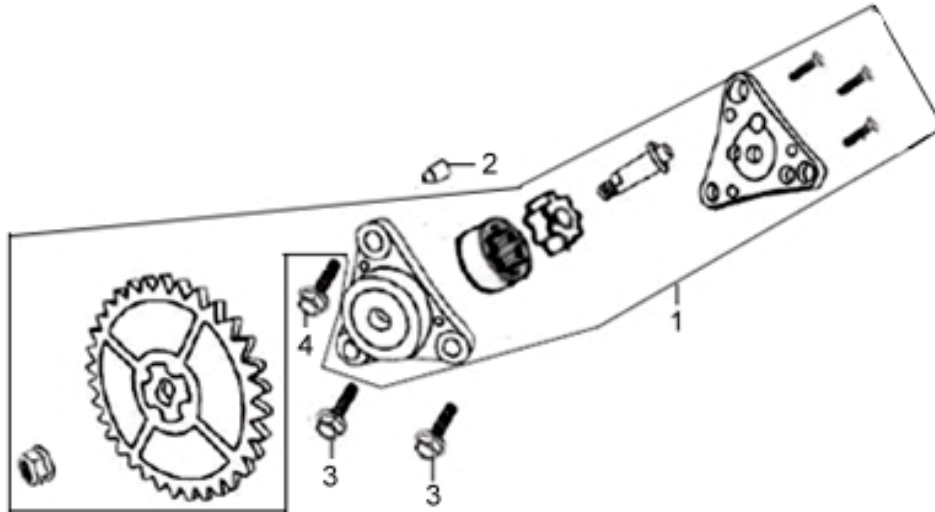
※ Please check the color & stripe information according to the color index !



Pictures reference only

PARTS NUMBER		DESCRIPTION	QTY	EFFECTIVE DATE
1	19510-BE2-A00	COOLING FAN COMP	1	
2	31100-AAA-A00	N/A ACG. ASSY	1	
3	31120-AAA-A00	STATOR COMP	1	
4	31110-BE1-A00	FLY WHEEL	1	
5	90441-BE2-A00	PLAIN WASHER 14*21*2.0	1	
6	92101-05012-0A	HEX BOLT 5*12	2	
7	94050-10080	FLANGE NUT 10MM	1	
8	96001-06018-08	FLANGE BOLT SH 6X18	4	
9	96001-06020-08	FLANGE BOLT SH 6X20	2	

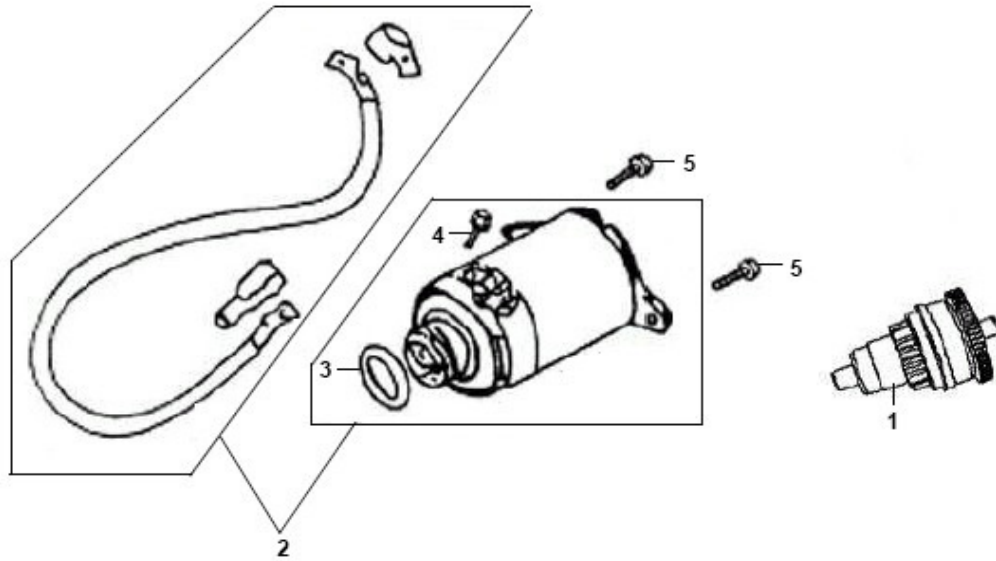
※ Please check the color & stripe information according to the color index !



Pictures reference only

PARTS NUMBER		DESCRIPTION	QTY	EFFECTIVE DATE
1	15100-BE2-A00	OIL PUMP	1	
2	94301-08110	DOWN PIN 8*11	1	
3	96001-06022-08	FLANGE BOLT SH 6X22	2	
4	96001-06025-08	FLANGE BOLT SH 6X25	1	

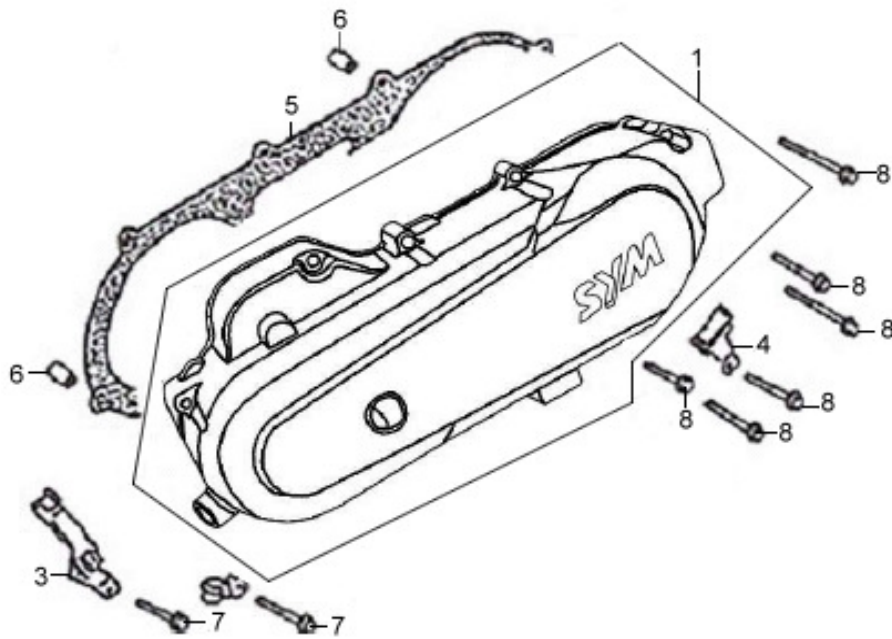
※ Please check the color & stripe information according to the color index !



Pictures reference only

PARTS NUMBER		DESCRIPTION	QTY	EFFECTIVE DATE
1	2812A-BE2-A00	START CLUTCH	1	
2	31200-BE1-A00	START MOTOR ASSY	1	
3	91309-BE2-A00	N/A O-RING 20X2.2	1	
4	91981-KN7-670	WASHER SCREW 5X8	1	
5	96001-06022-08	FLANGE BOLT SH 6X22	2	

※ Please check the color & stripe information according to the color index !

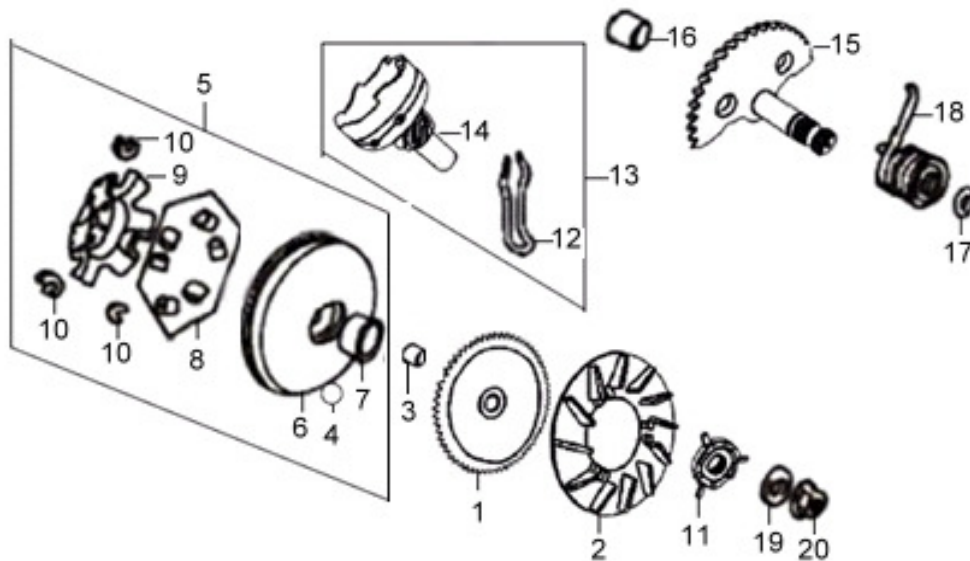


Pictures reference only

PARTS NUMBER		DESCRIPTION	QTY	EFFECTIVE DATE
1	11341-BE2-A00	L. CRANK CASE COVER	1	
3	11381-GY6-940	THROTTLE CABLE CLAMPER	1	
4	11382-BE2-A00	BRAKE CABLE CLAMPER	1	
5	11395-BE2-A00	L. COVER GASKET	1	
6	94301-08140	DOWEL PIN 8X14	2	
7	96001-06040-08	FLANGE BOLT SH 6X40	2	
8	96001-06035-00	FLANGE SH BOLT 6X35	8	

※ Please check the color & stripe information according to the color index !



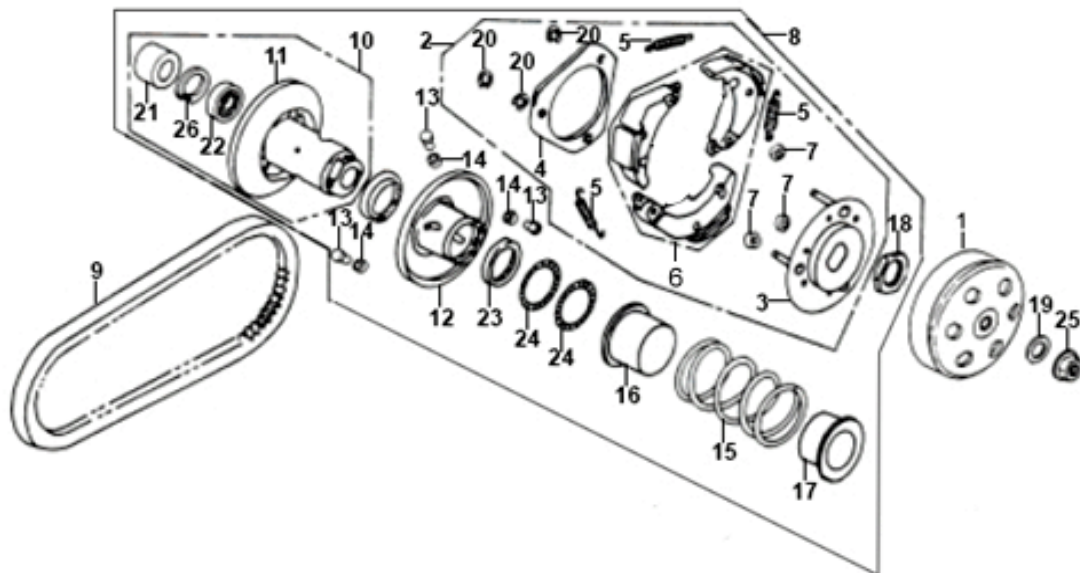


Pictures reference only

PARTS NUMBER	DESCRIPTION	QTY	EFFECTIVE DATE
1 22102-BE2-A00	DRIVE FACE	1	
2 22103-BE2-A00	DRIVEN GEAR SEAT	1	
3 22105-BE2-A00	DRIVE FACE BOSS	1	
4 22106-AAB-000	DRIVE FACE COLLAR(25KM/H)	1	
5 2211A-BE2-A00	MOVABLE DRIVE FACE	1	
6 22110-BE2-A00	N/A MOVABLE DRIVE FACE COMP	1	
7 22112-BE2-A00	N/A BUSH 20X24X21	1	
8 22121-BE2-A00-A	WEIGHT ROLLER SET(6PCS/1SET)	1	
9 22131-BE2-A00	RAMP PLATE	1	
10 22132-BE2-A00-A	SLIDE PIECE(3PCS/1SET)	1	
11 28221-BE2-A00	KICK STARTER DRIVEN GEAR	1	
12 28223-BE2-A10	STARTER GEAR FRICTION SPRING	1	
13 2823A-BE2-A10	KICK DRIVEN GEAR ASSY	1	
14 28230-BE2-A10	KICK DRIVEN GEAR COMP	1	
15 28250-BE2-A10	KICK STARTER SPINDLE COMP	1	
16 28254-BE2-A10	KICK SPINDLE BUSH 14X18X20	1	
17 90451-M9Q-000	THRUST WASHER 14.2X21	1	
18 28281-BE2-A00	KICK STARTER SPG.	1	
19 94102-12800	PLAIN WASHER 12MM	1	
20 94001-12000	HEX NUT M12	1	

※ Please check the color & stripe information according to the color index !

TEAMWORLD IND. 2008.03

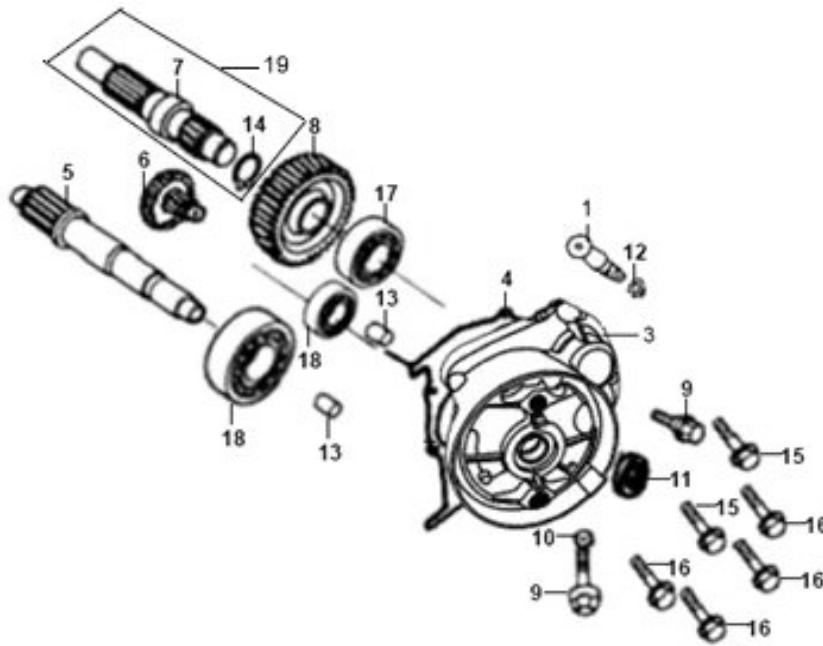


Pictures reference only

PARTS NUMBER	DESCRIPTION	QTY	EFFECTIVE DATE
1 22101-BE2-A00	CLUTCH OUTER	1	
2 22300-BE2-A00	DRIVE PLATE ASSY	1	
3 22350-BE2-A00	N/A DRIVE PLATE COMP	1	
4 22361-BE2-A00	N/A CLUTCH SIDE PLATE	1	
5 22401-BE2-A00	CLUTCH SPRING	3	
6 22530-BE2-A00-A	N/A CLUTCH WEIGHT SET(3PCS/1SET)	1	
7 22804-BE2-A00	N/A CLUTCH DAMPER RUBBER	3	
8 23010-BE2-A00	MOVABLE DRIVE FACE□□	1	
9 1B01BE201	DRIVE BELT	1	
10 23200-BE2-A00	N/A DRIVEN FACE ASSY	1	
11 23210-BE2-A00	N/A DRIVEN FACE COMP	1	
12 23220-BE2-A00	N/A MOVABLE DRIVEN FACE COMP	1	
13 23225-BE2-A00	N/A ROLLER GUIDE PIN(RKGC8)	3	
14 23226-GC8-003	ROLLER GUIDE	3	
15 23233-BE2-A00	DRIVEN FACE SPRING	1	
16 23237-BE2-A00	N/A SEAL COLLAR	1	
17 23238-BE2-A00	N/A SPRING COLLAR	1	
18 90202-187-000	SPECIAL NUT 28MM	1	
19 90441-BE2-A00	PLAIN WASHER 14*21*2.0	1	
20 90605-BE2-A00	N/A CIR CLIP 5MM	3	
21 91001-BE2-A00	N/A NEEDLE BEARING 17X25X18	1	
22 91002-BE2-A00	N/A BALL RADIAL BRG.6901U	1	
23 91211-BE2-A00	OIL SEAL 33X39X3	2	
24 91384-BE2-A00	N/A O-RING 36X1.5	2	
25 94050-10080	FLANGE NUT 10MM	1	
26 94520-24000	IN.CIR-CLIP 24MM	1	

※ Please check the color & stripe information according to the color index !

TEAMWORLD IND. 2008.03

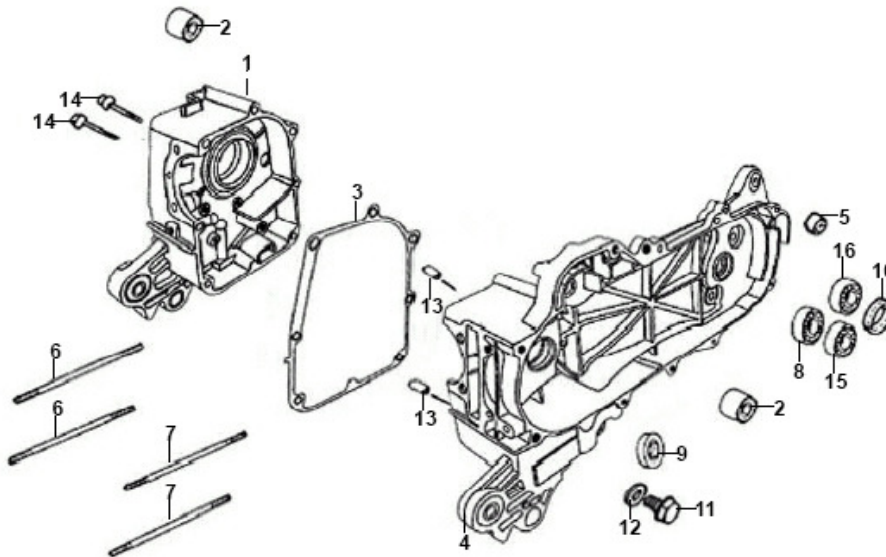


Pictures reference only

PARTS NUMBER	DESCRIPTION	QTY	EFFECTIVE DATE
1	11203-GC7-300	RR. CUSH UND BUSH RUBBER	1
3	21301-BE2-A00	MISSION CASE	1
4	21395-BE2-A00	MISSION COVER GASKET	1
5	23411-BE2-A00	DRIVE SHAFT	1
6	23420-BE2-A00	COUNTER SHAFT COMP	1
7	23431-BE2-A00	N/A FINAL SHAFT	1
8	23432-BE2-A00	FINAL GEAR	1
9	90103-H68-000	SPECIAL BOLT 8MM	2
10	90474-333-000-KD	WASHER 8MM	2
11	91202-BE2-A00	OIL SEAL 17*30*7	1
12	91301-053-000	O-RING 7.5X1.5	1
13	94301-10160	DOWEL PIN 10X16	2
14	94510-20000	EX. CIR CLIP 20MM	1
15	95701-08035-00	FLANGE BOLT 8X35	2
16	95701-08040-00	FLANGE BOLT 8X40	5
17	96100-60040-00	BALL RADIAL BEARING 6004.2RC	1
18	96100-62010-00	BEARING BALL 6201T	2
19	2343A-BE2-A00	FINAL SHAFT SET	1

※ Please check the color & stripe information according to the color index !

TEAMWORLD IND. 2008.03

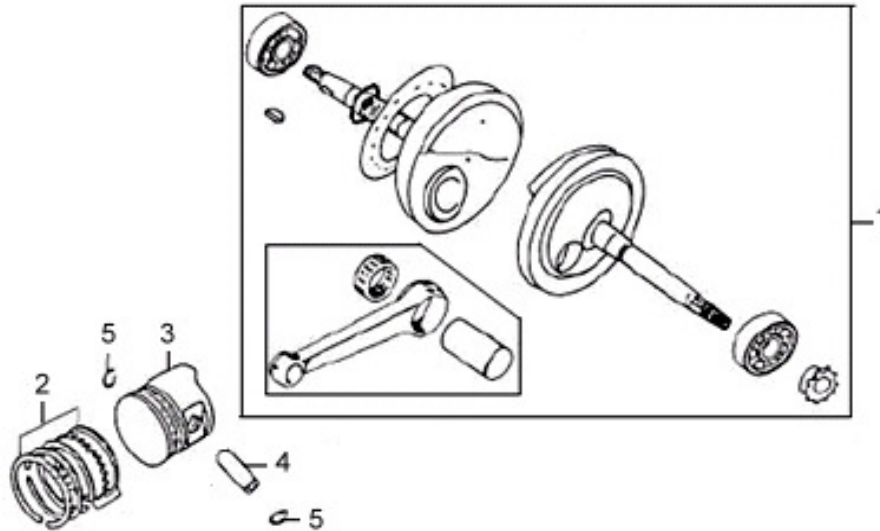


Pictures reference only

PARTS NUMBER	DESCRIPTION	QTY	EFFECTIVE DATE
1 11100-BE2-A02	R. CRANK CASE	1	
2 11102-BE2-A00	R. BUSH 42MM	2	
3 11192-BE2-A00	CRANK CASE GASKET	1	
4 11200-BE2-A00	L. CRANK CASE	1	
5 11203-GC7-300	RR. CUSH UND BUSH RUBBER	1	
6 90031-BE2-A00	B STUD BOLT 7*167	2	
7 90032-BE2-A00	B STUD BOLT 7*176	2	
8 96100-62010-00	BEARING BALL 6201T	1	
9 91201-BE2-A00	OIL SEAL 16.4*30*6	1	
10 91255-GE0-003	OIL SEAL 27X42X7	1	
11 92800-1200A	DRAIN PLUG BOLT 12MM	1	
12 94109-12000	DRAIN PLUG WASHER 12MM	1	
13 94301-08140	DOWEL PIN 8X14	2	
14 96001-06050-08	FLANGE BOLT SH 6X50	2	
15 96100-60020-00	RADIAL BALL BRG.6002T	1	
16 96150-60043-10	RADIAL BALL BEARING6004LLU	1	

※ Please check the color & stripe information according to the color index !

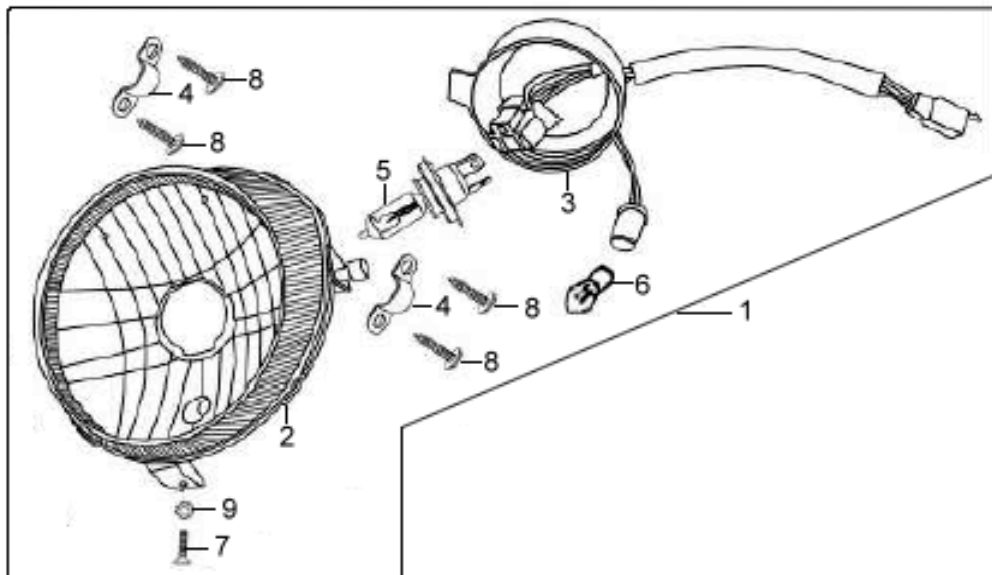
TEAMWORLD IND. 2008.03



Pictures reference only

PARTS NUMBER		DESCRIPTION	QTY	EFFECTIVE DATE
1	13000-BE2-A00	CRANK SHAFT	1	
2	13010-BE2-A00	PISTON RING SET	1	
3	13101-BE2-A00	PISTON	1	
4	13111-BE2-A00	PISTON PIN	1	
5	94601-13000	PISTON PIN CLIP 13MM	2	

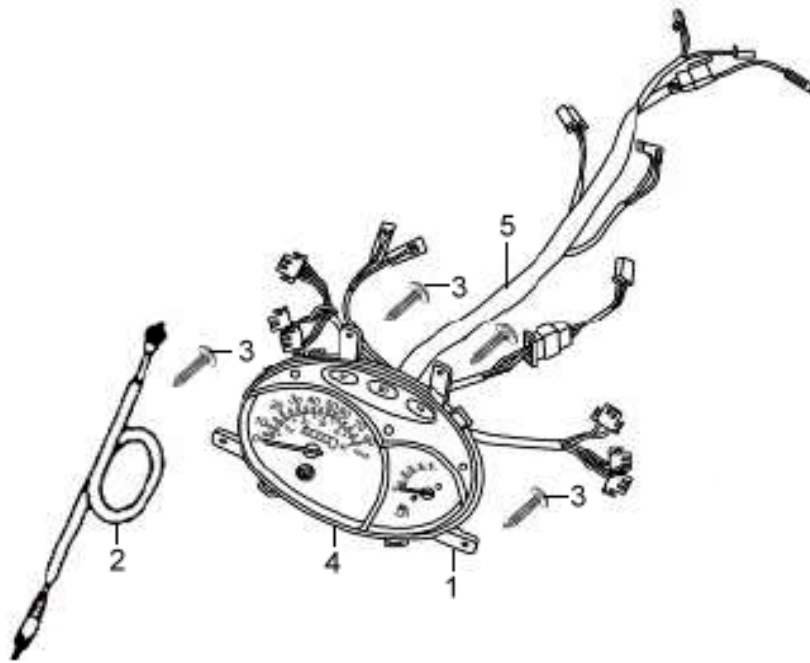
※ Please check the color & stripe information according to the color index !



Pictures reference only

PARTS NUMBER		DESCRIPTION	QTY	EFFECTIVE DATE
1	33100-ALA-000	HEAD LIGHT ASSY	1	
2	33101-ALA-000	HEAD LIGHT LENS	1	
3	33103-ALA-000	HEAD LIGHT BASE	1	
4	33107-A7A-000	HEAD LIGHT PLATE	2	
5	34901-X06-000	HEAD LIGHT BULB	1	
6	34908-M9Q-200	WEDGE BASE BULB(12V 5W)	1	
7	90101-KAA-000	ADJUST BOLT4*14	1	
8	90109-42128	TAPPING SCREW M4.2x12	4	
9	90307-M9Q-000	LOCK WASHER 6MM	1	

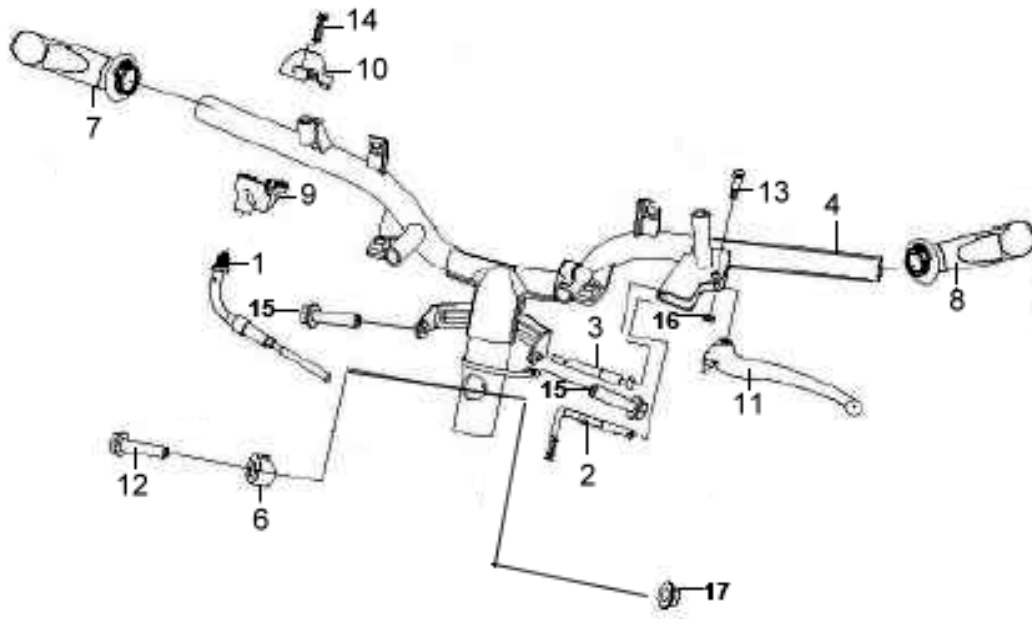
※ Please check the color & stripe information according to the color index !



Pictures reference only

PARTS NUMBER	DESCRIPTION	QTY	EFFECTIVE DATE
1 37200-AKA-000	SPEEDOMETER □ □	1	
2 44830-ALA-000	SPEEDOMETER CABLE COMP	1	
3 90109-48168	TAPPING SCREW M4.8x16	4	
4 37204-ALA-000	METER LENS	1	
5 37224-AKA-000	METER CORD COMP	1	

※ Please check the color & stripe information according to the color index !

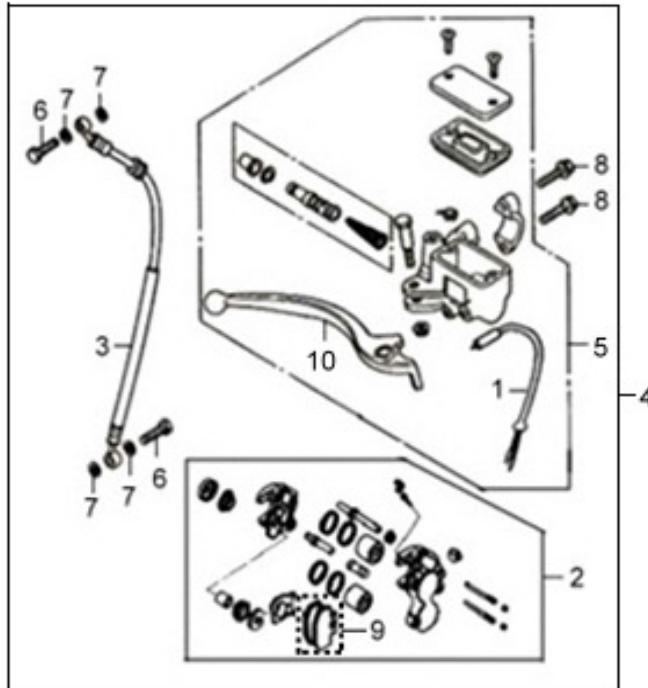


Pictures reference only

PARTS NUMBER		DESCRIPTION	QTY	EFFECTIVE DATE
1	17910-AAA-000	THROT. CABLE	1	
2	35340-M92-000	SW. ASSY FR. STOP	1	
3	43450-AAA-000	RR.BRAKE CABLE	1	
4	53100-AKA-000	STRG. HANDLE COMP.	1	
6	53125-M9Q-000	HANDLE SET COLLAR	1	
7	53140-S1F-A00	sil+red+blu+gre R. HANDLE GRIP	1	
7	53140-S1F-A00-BR	whi+bla R. HANDLE GRIP	1	
8	53166-S1F-A00	sil+red+blu+gre L. HANDLE GRIP	1	
8	53166-S1F-A00-BR	whi+bla L. HANDLE GRIP	1	
9	53167-H09-A00	THROTTLE UNDER HOUSING	1	
10	53168-H09-A00	THROT. UP HOUSING	1	
11	5317A-GAK-V00	L. STEERING HANDLE LEVER	1	
12	90106-TAA-000	FLANGE BOLT 10X50	1	
13	90115-M9Q-000	BOLT	1	
14	93500-05025-08	PAN SCREW 5X25	1	
15	90118-HAA-000	WASHER BOLT 5X14	2	
16	94001-05070-0S	HEX NUT 5MM	1	
17	90304-M9Q-000	NUT U FLANGE 10MM	1	

※ Please check the color & stripe information according to the color index !

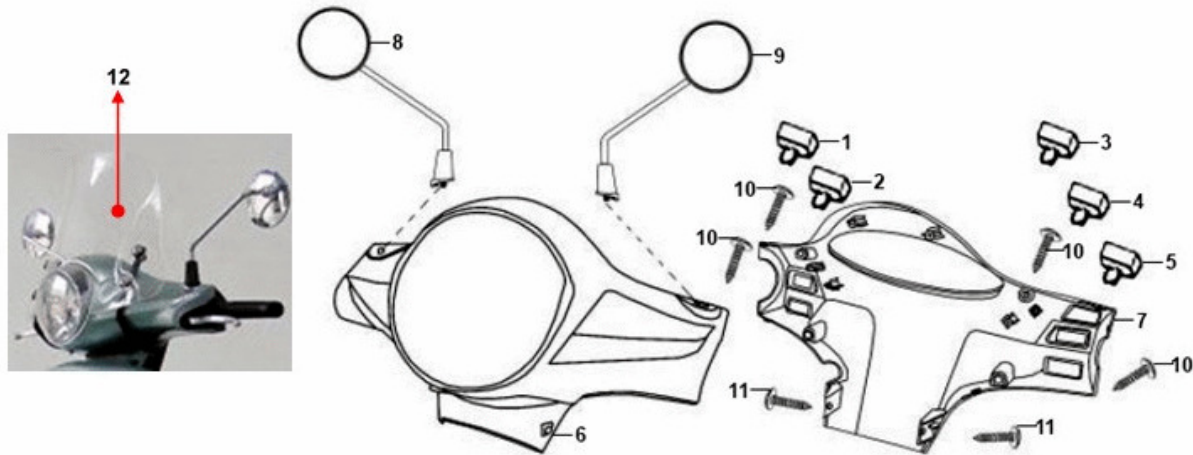




Pictures reference only

PARTS NUMBER		DESCRIPTION	QTY	EFFECTIVE DATE
1	35340-M92-000	SW. ASSY FR. STOP	1	
2	45100-T6R-900	FR. CALIPER ASSY	1	
3	45126-ALA-000	FR.BRAKE HOSE COMP.	1	
4	4550A-ALA-000	FR. BRAKE ASSY	1	
5	45500-AAA-000	FR M/C ASS'Y	1	
6	90145-M9Q-000	OIL BOLT 10X22	2	
7	90545-M9Q-000	OIL BOLT WASHER	4	
8	95801-06022-07	FLANGE BOLT 6X22	2	
9	45105-G22-900-A	BRAKE PAD SET	1	
10	53175-AAA-000	R. STRG. HANDLE LEVER	1	

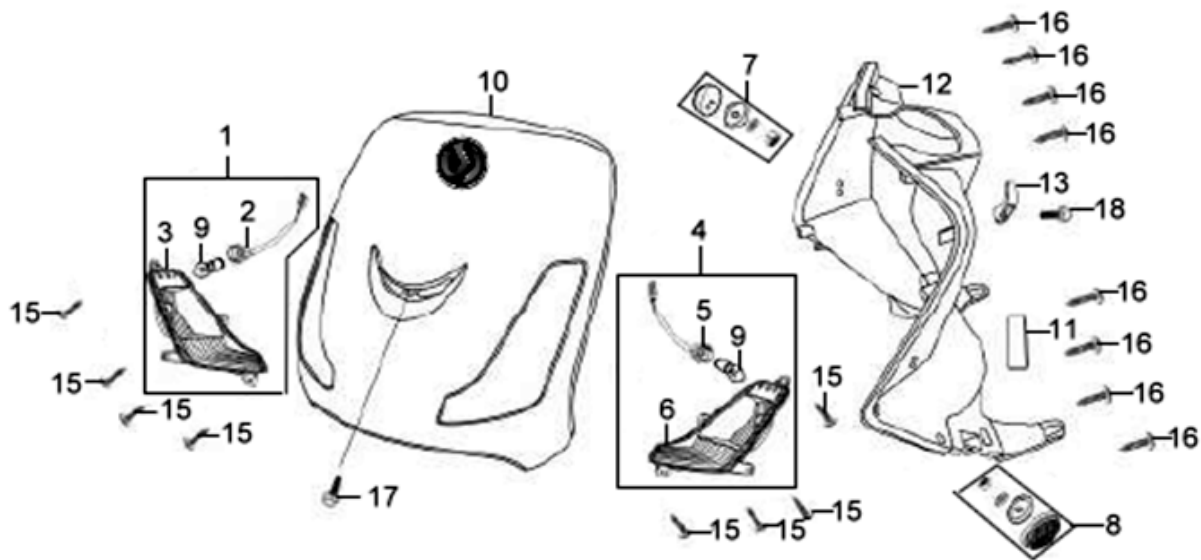
※ Please check the color & stripe information according to the color index !



Pictures reference only

PARTS NUMBER		DESCRIPTION	QTY	EFFECTIVE DATE
1	35150-M9F-A00	SW. UNIT LIGHTING	1	
2	35160-M9Q-000	START SWITCH UNIT	1	
3	35170-M9Q-000	SW. UNIT DIMMER & PASSING	1	
4	35180-M9Q-000	HORN SWITCH UNIT	1	
5	35200-M9Q-000	WINKER SWITCH ASSY	1	
6	53205-ALA-000-BN	Blue FR. HANDLE COVER(BU-2915S)	1	
6	53205-ALA-000-GR	Green FR. HANDLE COVER(GN-8281S)	1	
6	53205-ALA-000-K	Black FR. HANDLE COVER(BK-001P)	1	
6	53205-ALA-000-RD	Red FR. HANDLE COVER(R-010CA)	1	
6	53205-ALA-000-SB	Silver FR. HANDLE COVER(S-421S)	1	
6	53205-ALA-000-WD	White FR. HANDLE COVER(WH-8018P)	1	
7	53206-ALA-000-BK	il+red+blu+gre RR. HANDLE COVER	1	
7	53206-ALA-000-BR	whi+bla RR. HANDLE COVER	1	
8	88110-ALA-000	R.BACK MIRROR ASSY.	1	
9	88120-ALA-000	L.BACK MIRROR ASSY.	1	
10	90109-42128	TAPPING SCREW M4.2x12	4	
11	90118-HAA-000	WASHER BOLT 5X14	2	
12	5327G-ALA-000	METER VISOR ASSY	1	
12-1	53270-ALA-000	HANDLE VISOR	1	
12-2	53272-ALA-000	HANDLE VISOR GROMMET	4	
12-3	53273-ALA-100	R. HANDLE VISOR BAR	1	
12-4	53274-ALA-100	L. HANDLE VISOR BAR	1	
12-5	53275-ALA-100	HANDLE VISOR HOLDER A	2	
12-6	53276-ALA-000	HANDLE VISOR HOLDER B	2	

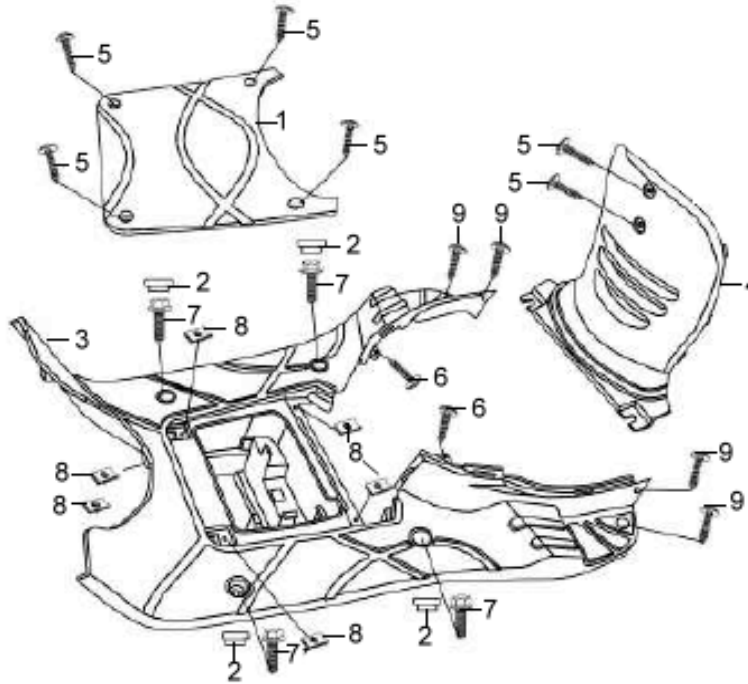
※ Please check the color & stripe information according to the color index !



Pictures reference only

PARTS NUMBER		DESCRIPTION	QTY	EFFECTIVE DATE
1	33400-ALA-000	R. FR. WINKER	1	
2	33401-ALA-000	FR.R.WINKER BASE	1	
3	33402-ALA-000	FR.R.WINKER LENS	1	
4	33450-ALA-000	L. FR. WINKER	1	
5	33451-ALA-000	FR.L.WINKER BASE	1	
6	33452-ALA-000	FR.L.WINKER LENS	1	
7	3374A-AKA-000	R. REFLEX REFLECTOR ASSY	1	
8	3375A-AKA-000	L. REFLEX REFLECTOR ASSY	1	
9	34905-A8D-000	WINKER BULB(12V10W E MARK)	2	
10	64301-ALA-000-BN	Blue FR. COVER (BU-2915S)	1	
10	64301-ALA-000-GR	Green FR. COVER (GN-8281S)	1	
10	64301-ALA-000-K	Black FR. COVER (BK-001P)	1	
10	64301-ALA-000-SB	Silver FR. COVER (S-421S)	1	
10	64301-ALA-000-RD	Red FR. COVER (R-010CA)	1	
10	64301-ALA-000-WD	White FR. COVER (WH-8018P)	1	
10-1	87123-H85-000	S-LOGO 40MM(POLY)	1	
11	64318-ALA-000-BK	sil+red+blu+gre FRAME NUMBER LID	1	
11	64318-ALA-000-BR	whi+bla FRAME NUMBER LID	1	
12	81131-ALA-000-BK	sil+red+blu+gre INNER COVER A (BLACK)	1	
12	81131-ALA-000-BR	whi+bla INNER COVER A	1	
13	81132-M7Q-000	sil+red+blu+gre LUGGAGE HOOK	1	
13	81132-M7Q-000-BR	whi+bla LUGGAGE HOOK	1	
15	90109-48128	TAPPING SCREW M4.8x12	8	
16	90109-48168	TAPPING SCREW M4.8x16	8	
17	90118-HAA-000	WASHER BOLT 5X14	1	
18	90115-G02-000	BOLT 6X16	1	

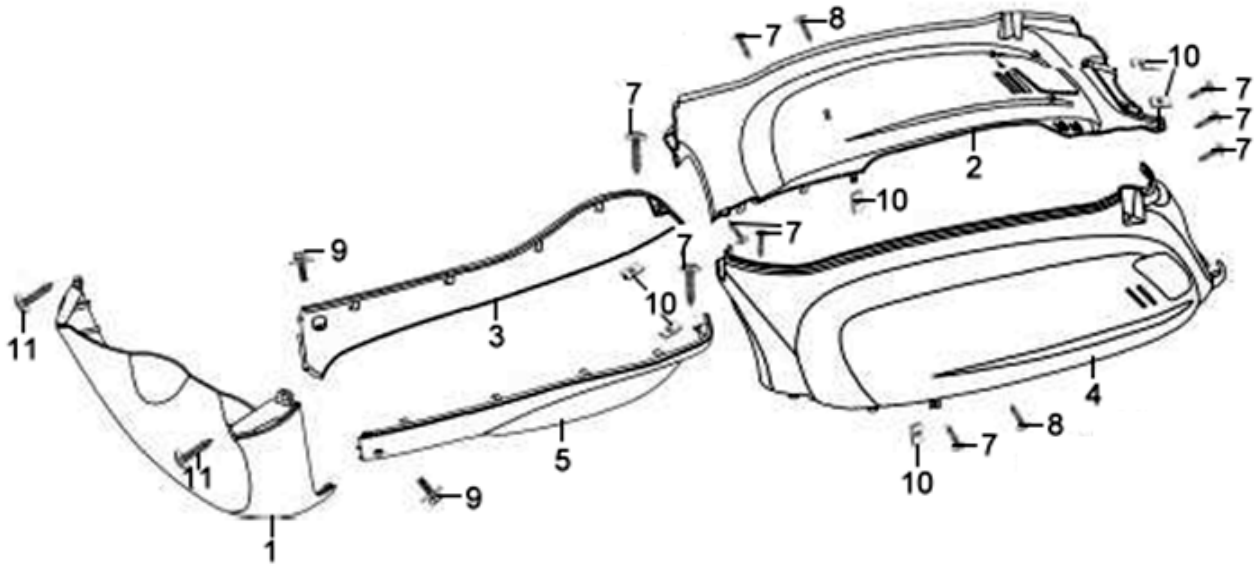
※ Please check the color & stripe information according to the color index !



Pictures reference only

PARTS NUMBER		DESCRIPTION	QTY	EFFECTIVE DATE
1	50326-AAA-000	sil+red+blu+gre BATTERY COVER	1	
1	50326-AAA-000-BR	whi+bla BATTERY COVER	1	
2	50612-ALA-000-BK	sil+red+blu+gre CAP A FLR STEP	4	
2	50612-ALA-000-BR	whi+bla CAP A FLR STEP	4	
3	64310-ALA-000-BK	sil+red+blu+gre FLOOR PANEL	1	
3	64310-ALA-000-BR	whi+bla FLOOR PANEL	1	
4	80151-ALA-000-BK	sil+red+blu+gre CENTER COVER (BLACK)	1	
4	80151-ALA-000-BR	whi+bla CENTER COVER	1	
5	90109-42168	TAPPING SCREW M4.2x16	6	
6	90109-48168	TAPPING SCREW M4.8x16	2	
7	90111-M9Q-800	FLANGE BOLT 6MM	4	
8	90308-X04-000	FLANGE SPECIAL NUT 10MM	6	
9	90109-42128	TAPPING SCREW M4.2x12	4	


※ Please check the color & stripe information according to the color index !

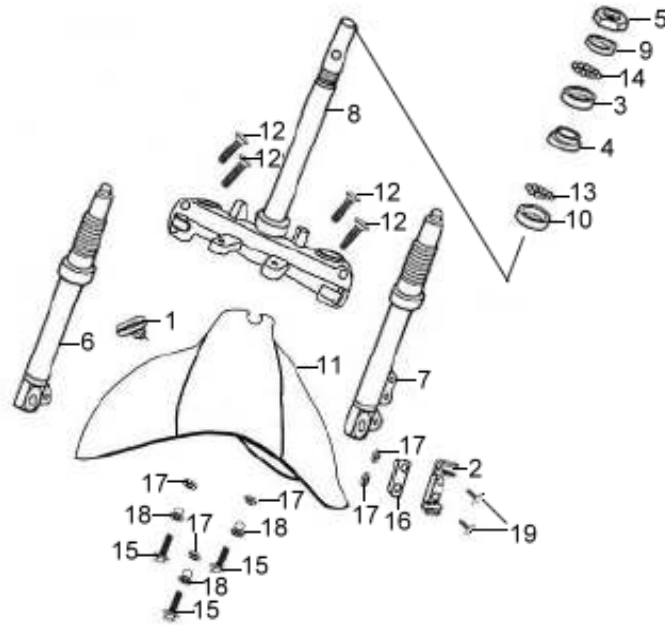


Pictures reference only

PARTS NUMBER		DESCRIPTION	QTY	EFFECTIVE DATE
1	64300-ALA-000-BN	Blue FR.UND.SPOILER (BU-2915S)	1	
1	64300-ALA-000-GR	Green FR.UND.SPOILER(GN-8281S)	1	
1	64300-ALA-000-K	Black FR.UND.SPOILER (BK-001P)	1	
1	64300-ALA-000-SB	Silver FR.UND.SPOILER(S-421S)	1	
1	64300-ALA-000-RD	Red FR.UND.SPOILER(R-010CA)	1	
1	64300-ALA-000-WD	White FR.UND.SPOILER (WH-8018P)	1	
2	83500-ALA-000-BN	Blue RH. BODY COVER (BU-2915S)	1	
2-1	87127-AKA-001-T1	Blue BODY COVER EMBLEM(BLACK)	1	
2	83500-ALA-000-GR	Green RH. BODY COVER (GN-8281S)	1	
2-1	87127-AKA-001-T1	Green BODY COVER EMBLEM(BLACK)	1	
2	83500-ALA-000-K	Black RH. BODY COVER (BK-001P)	1	
2-1	87127-AKA-001-T2	Black BODY COVER EMBLEM(SLIVER)	1	
2	83500-ALA-000-SB	Silver RH. BODY COVER (S-421S)	1	
2-1	87127-AKA-001-T1	Silver BODY COVER EMBLEM(BLACK)	1	
2	83500-ALA-000-RD	Red RH. BODY COVER (R-010CA)	1	
2-1	87127-AKA-001-T2	Red BODY COVER EMBLEM(SLIVER)	1	
2	83500-ALA-000-WD	White RH. BODY COVER (WH-8018P)	1	
2-1	87127-AKA-001-T1	White BODY COVER EMBLEM(BLACK)	1	
3	83520-ALA-000-BN	Blue R. SIDE COVER (BU-2915S)	1	
3	83520-ALA-000-GR	Green R. SIDE COVER (GN-8281S)	1	
3	83520-ALA-000-K	Black R. SIDE COVER (BK-001P)	1	
3	83520-ALA-000-SB	Silver R. SIDE COVER (S-421S)	1	
3	83520-ALA-000-RD	Red R. SIDE COVER (R-010CA)	1	
3	83520-ALA-000-WD	White R. SIDE COVER (WH-8018P)	1	
4	83600-ALA-000-BN	Blue LH. BODY COVER (BU-2915S)	1	


4-1	87127-AKA-001-T1	Blue	BODY COVER EMBLEM(BLACK)	1	
4	83600-ALA-000-GR	Green	LH. BODY COVER (GN-8281S)	1	
4-1	87127-AKA-001-T1	Green	BODY COVER EMBLEM(BLACK)	1	
4	83600-ALA-000-K	Black	LH. BODY COVER (BK-001P)	1	
4-1	87127-AKA-001-T2	Black	BODY COVER EMBLEM(SLIVER)	1	
4	83600-ALA-000-SB	Silver	LH. BODY COVER (S-421S)	1	
4-1	87127-AKA-001-T1	Silver	BODY COVER EMBLEM(BLACK)	1	
4	83600-ALA-000-RD	Red	LH. BODY COVER (R-010CA)	1	
4-1	87127-AKA-001-T2	Red	BODY COVER EMBLEM(SLIVER)	1	
4	83600-ALA-000-WD	White	LH. BODY COVER (WH-8018P)	1	
4-1	87127-AKA-001-T1	White	BODY COVER EMBLEM(BLACK)	1	
5	83620-ALA-000-BN	Blue	L.SIDE COVER (BU-2915S)	1	
5	83620-ALA-000-GR	Green	L.SIDE COVER (GN-8281S)	1	
5	83620-ALA-000-K	Black	L.SIDE COVER (BK-001P)	1	
5	83620-ALA-000-SB	Silver	L.SIDE COVER (S-421S)	1	
5	83620-ALA-000-RD	Red	L.SIDE COVER (R-010CA)	1	
5	83620-ALA-000-WD	White	L.SIDE COVER (WH-8018P)	1	
7	90109-42128		TAPPING SCREW M4.2x12	9	
8	90109-48128		TAPPING SCREW M4.8x12	2	
9	90118-HAA-000		WASHER BOLT 5X14	2	
10	90302-M92-000		SPRING NUT 4MM	6	
11	90109-48168		TAPPING SCREW M4.8x16	2	

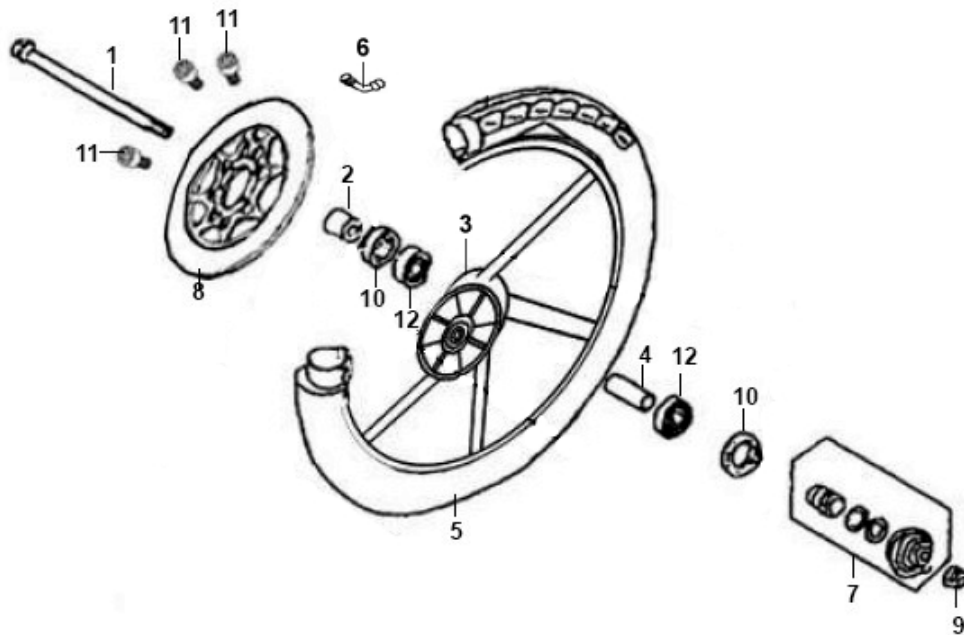
✘ Please check the color & stripe information according to the color index !  TEAMWORLD IND. 2008.03



Pictures reference only

PARTS NUMBER	DESCRIPTION	Q T	EFFECTIVE DATE
1 45451-CT1-A10	CABLE GUIDE	1	
2 45156-ALA-000	FR. BRAKE HOSE CLAMP	1	
3 50301-M9Q-000	RACE UP STRG BALL	1	
4 50302-M9Q-000	RACE STRG. BOT BALL	1	
5 50306-M9Q-000	STRG. STEM LOCK NUT	1	
6 51400-ALA-000	R.FR.CUSHION	1	
7 51500-ALA-000	L.FR.CUSHION	1	
8 53200-ALA-000	STRG. STEM	1	
9 53211-M9Q-000	RACE STRG TOP CONE	1	
10 53212-M9Q-000	RACE STRG BOTTOM CONE	1	
11 61100-ALA-000-BN	Blue FR. FENDER COMP (BU-2915S)	1	
11 61100-ALA-000-GR	Green FR. FENDER COMP (GN-8281S)	1	
11 61100-ALA-000-K	Black FR. FENDER COMP (BK-001P)	1	
11 61100-ALA-000-SB	Silver FR. FENDER COMP (S-421S)	1	
11 61100-ALA-000-RD	Red FR. FENDER COMP (R-010CA)	1	
11 61100-ALA-000-WD	White FR. FENDER COMP (WH-8018P)	1	
12 95801-08040-00	FLANGE BOLT 8X40	4	
13 96211-05000	STEEL BALL # 5	26	
14 96211-08000	STEEL BALL 8MM(1/4" BALL)	19	
15 95801-06020-08	FLANGE BOLT 6X20	3	
16 45159-ALA-000	FR.BRAKE HOSE STAY	1	
17 77226-M3F-000	DAMPING RUBBER	5	
18 90104-X04-000	FR. FORK COVER COLLAR	3	
19 90110-H6T-000	SCREW SPECIAL 6X14	3	

※ Please check the color & stripe information according to the color index !  TEAMWORLD IND. 2008.03

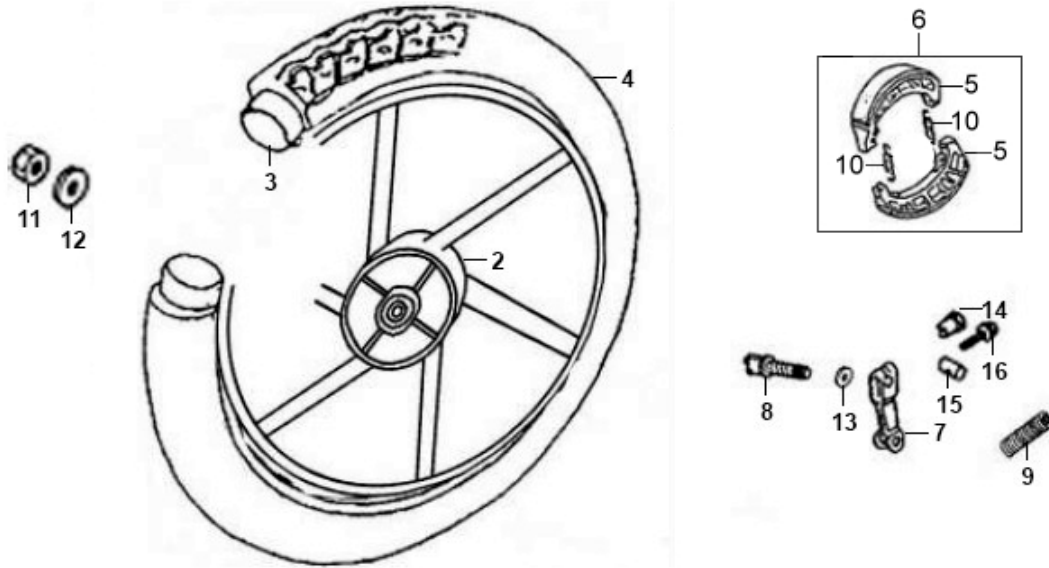


Pictures reference only

PARTS NUMBER	DESCRIPTION	QTY	EFFECTIVE DATE
1 44301-H3F-000	FR. WHEEL AXLE	1	
2 44311-GW0-910	COLLAR FR. WHEEL SIDE	1	
3 44601-AAA-000-BT	FR. WHEEL CAST	1	
4 44620-AAA-000	FR. AXLE DISTANCE COLLAR	1	
5 44710-AKA-000	FR. TIRE SET	1	
6 42753-ABA-000	VALVE RIM	1	
7 44800-ALA-000	SPEEDOMETER GEAR BOX ASSY	1	
8 45121-AAA-000	FR.BRAKE DISK	1	
9 90306-M9Q-000	SELF LOCK NUT 12MM	1	
10 90754-M9Q-000-M2	DUST SEAL 20X32X5	2	
11 90106-N02-000	FR. DISK BOLT 8*26	3	
12 90912-M9Q-000	RADIAL BALL BRG. 6201(U)	2	

✳ Please check the color & stripe information according to the color index !

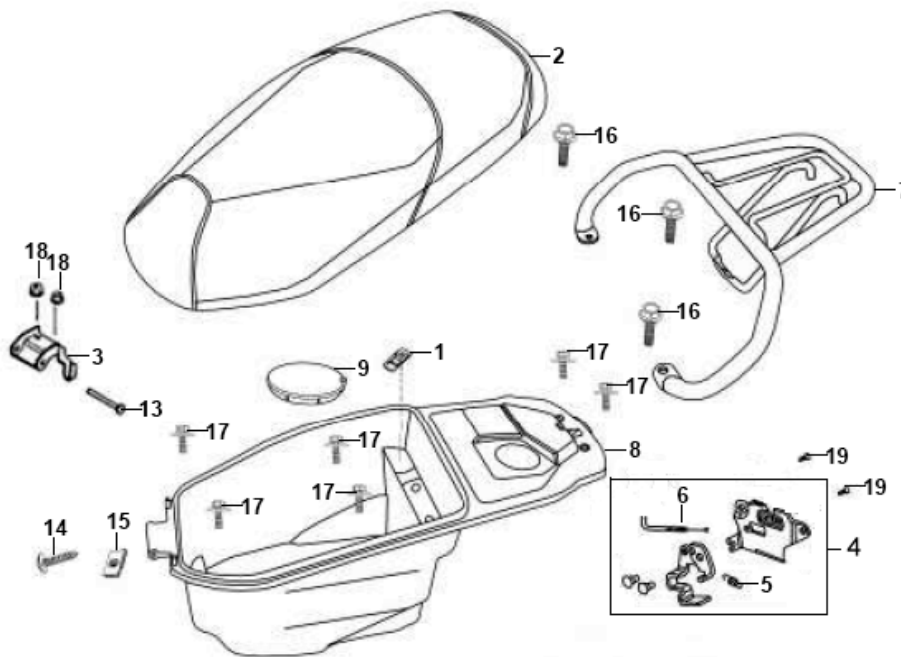




Pictures reference only

PARTS NUMBER	DESCRIPTION	QTY	EFFECTIVE DATE
2 42601-AAA-000-BT	RR. WHEEL CAST	1	
3 42710-AKA-000	RR.TUBELESS TIRE ASS'Y	1	
4 42712-ABA-000	TIRE TUBE	1	
5 43120-Y01-E00	N/A RR. BRAKE SHOE	1	
6 4312A-Y01-E00	RR. BRAKE SHOE SET	1	
7 43410-AAA-000	RR.BRAKE ARM	1	
8 43141-AAA-000	RR. BRAKE CAM	1	
9 43472-F01-000	SPG RR.BRK ARM	1	
10 45133-096-A00	BRK. SHOE SPRING	2	
11 90305-M9Q-900	U NUT 16 MM	1	
12 90501-M9Q-000	WASHER 16MM	1	
13 91352-M9Q-000	O RING 11.3*1.3	1	
14 95015-32001	BRAKE ARM JOINT B	1	
15 95015-42000	ADJUST NUT B	1	
16 95801-06032-00	FLANGE BOLT 6X32	1	

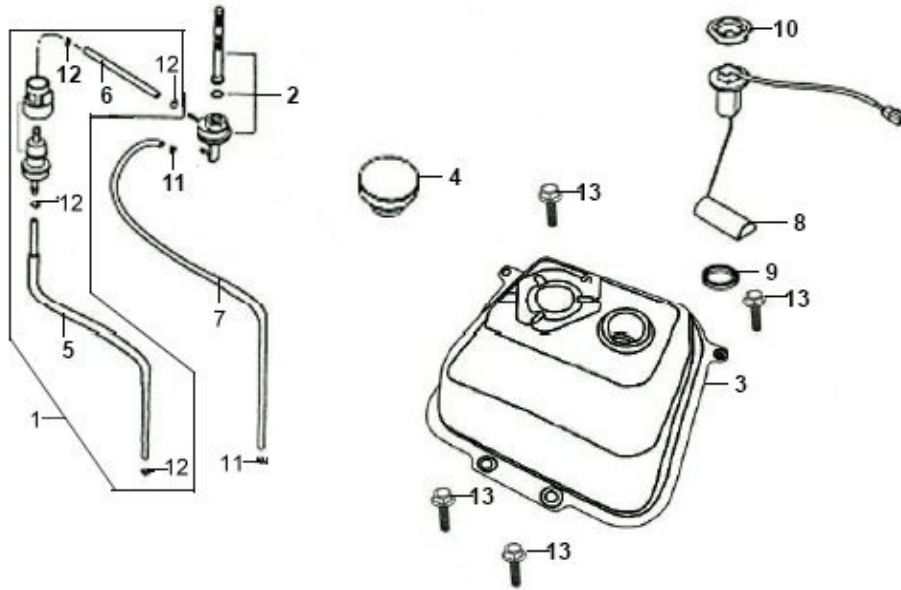
※ Please check the color & stripe information according to the color index !



Pictures reference only

PARTS NUMBER		DESCRIPTION	QTY	EFFECTIVE DATE
1	36600-A1A-000	ENG.START CONTROL SWITCH	1	
2	77200-ALA-000-BR	whi+bla DOUBLE SEAT COMP	1	
2	77200-ALA-000-QM	sil+red+blu+gre DOUBLE SEAT COMP	1	
3	77201-T36-000	SEAT HINGE SET	1	
4	77230-AKA-000	SEAT CATCH COMP.	1	
5	77234-M8Q-000	SEAT LOCK SPG.	1	
6	77240-ABA-000	SEAT LOCK CABLE COMP	1	
7	81200-ALA-000	RR. GRIP	1	
8	81250-ALA-000	LUGGAGE BOX	1	
8-1	87500-AAA-000	ANTI-TAMP ERI.MEA.STRIPE	1	
8-2	87505-ALA-000	TIRE LABEL	1	
8-3	87560-E21-000	DRIVE CAUTION MARK	1	
9	81251-ALA-000	CARB. MAINT COVER	1	
13	90105-T36-000	HINGE PIN	1	
14	90109-42168	TAPPING SCREW M4.2x16	1	
15	90308-X04-000	FLANGE SPECIAL NUT 10MM	1	
16	93401-08020-00	WASHER BOLT8*20	3	
17	93404-06016-00	WASHER BOLT 6X16	6	
18	94050-06080	FLANGE NUT 6MM	2	
19	95801-06012-08	FLANGE BOLT	2	

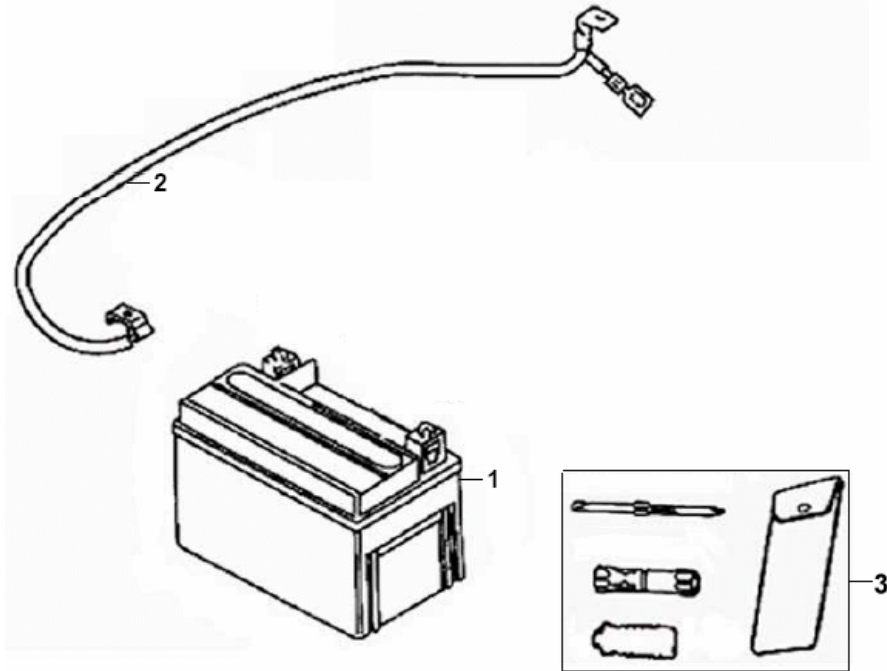
✘ Please check the color & stripe information according to the color index !



Pictures reference only

PARTS NUMBER	DESCRIPTION	QTY	EFFECTIVE DATE
1 16910-M9Q-000	COCK/CARB TUBE ASSY	1	
2 16950-M9Q-000	FUEL COCK ASSY	1	
3 17500-AAA-000	FUEL TANK COMP	1	
4 17620-S7A-A00	FUEL FILLER CAP COMP.	1	
5 17682-ABA-000	FUEL TUBE A	1	
6 17683-AAA-000	FUEL TANK TUBE	1	
7 95001-35215-40	VACUIM TUBE	1	
8 37800-ABA-000	FUEL UNIT ASSY	1	
9 37801-M9Q-000	BASE PACKING	1	
10 37802-M9Q-000	RET. FUEL UNIT	1	
11 95002-02070	TUBE CLIP B7	2	
12 95002-02080	BREATHHER TUBE CLIP B8	4	
13 95801-06012-08	FLANGE BOLT	4	

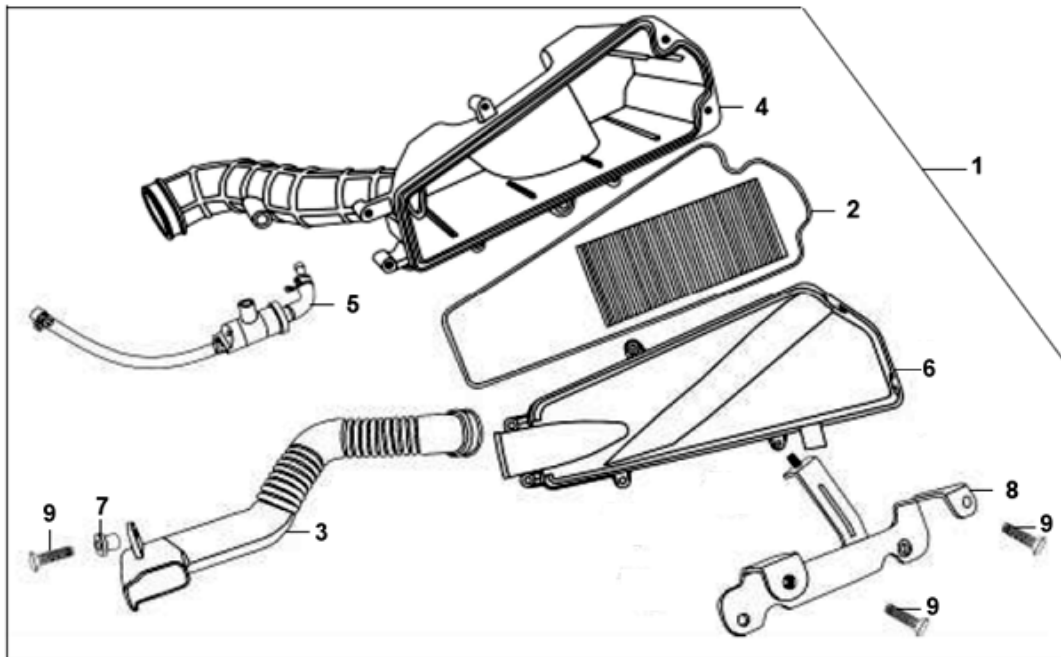
※ Please check the color & stripe information according to the color index !



Pictures reference only

PARTS NUMBER	DESCRIPTION	QTY	EFFECTIVE DATE
1 1Y01EG1301-X	BATTERY ASSY (YTX7A-BS)	1	
2 32411-ALA-000	BATTERY CABLE	1	
3 89010-ABA-000	TOOL SET	1	

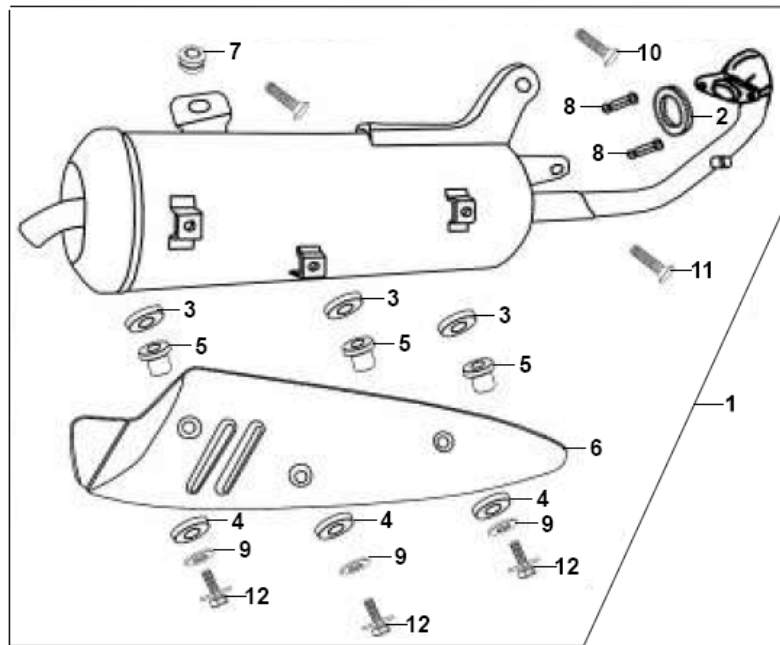
※ Please check the color & stripe information according to the color index !



Pictures reference only

PARTS NUMBER		DESCRIPTION	QTY	EFFECTIVE DATE
1	17200-AAA-010	AIR/C□□□□□□	1	
2	17211-AAA-000	AIR/C. ELEMENT COMP	1	
3	17216-AAA-000	AIR/C INLET TUBE□□	1	
4	17230-S1B-A00	AIR/C CASE COMP	1	
5	17210-S1B-A00	OIL CATCH SET	1	
6	17231-AAA-000	AIR/C COVER	1	
7	18295-T3C-A00	COLLAR M6□□	1	
8	61114-AKA-000	AIR/C STAY	1	
9	95801-06012-08	FLANGE BOLT	3	

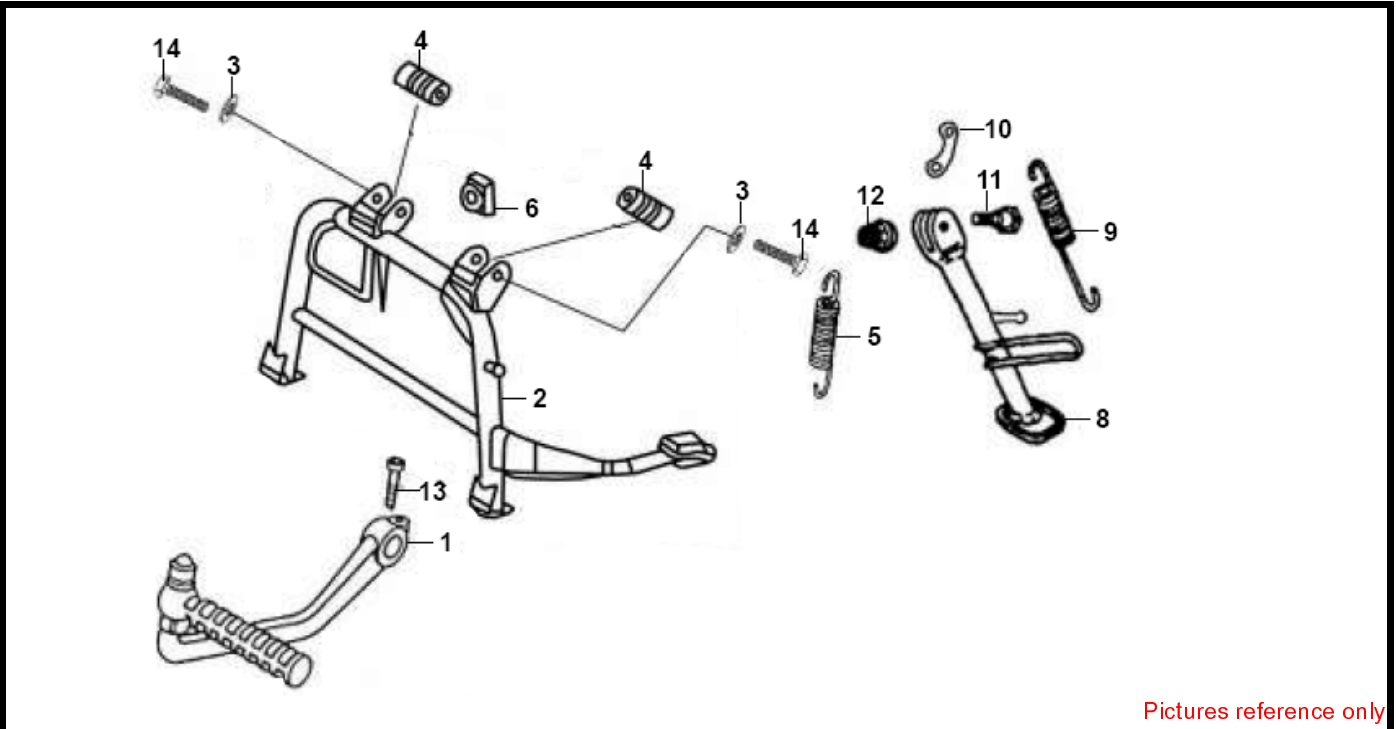
※ Please check the color & stripe information according to the color index !



Pictures reference only

PARTS NUMBER		DESCRIPTION	QTY	EFFECTIVE DATE
1	18000-AKA-000	EXH. MUFFLER ASS'Y	1	
2	18291-H80-A00	EXH. GASKET	1	
3	18292-F3E-000	PROTECTOR PACKING A	3	
4	18293-F3E-000	PROTECTOR PACKING	3	
5	18295-F3E-000	COLLAR M6	3	
6	18318-ALA-000	MUFFLER PROTECTOR	1	
7	18321-ADB-000	RR. MUDGUARD STAY RUBBER	1	
8	90301-M9Q-000	OPENSTAY NUT 6MM	2	
9	90555-T3A-A00	WASHER	3	
10	95801-08045-07	FLANGE BOLT 8X45	1	
11	95801-08055-07	FLANGE BOLT 8X55	1	
12	96001-06022-49	BOLT6*22□□	3	

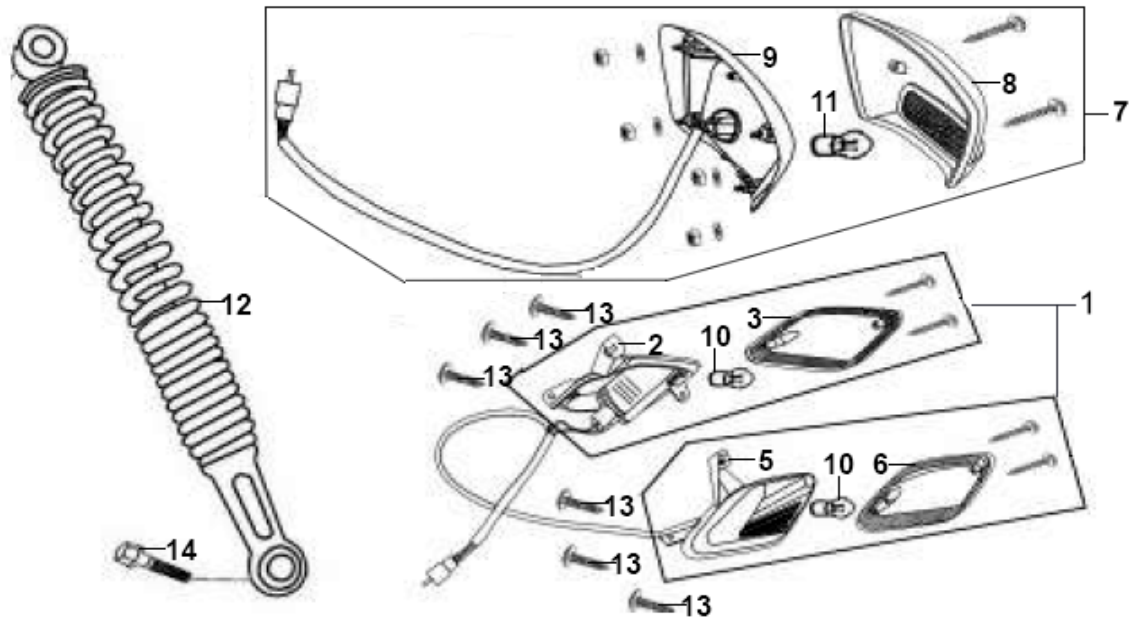
※ Please check the color & stripe information according to the color index !



Pictures reference only

PARTS NUMBER	DESCRIPTION	QTY	EFFECTIVE DATE
1 28300-S1B-A00	KICK STARTER ARM	1	
2 50500-AKA-000	MAIN STAND COMP	1	
3 50503-A5C-000	MAIN STAND WASHER	2	
4 50504-A5C-000	MAIN STAND COLLAR	2	
5 50505-E60-000	MAIN STAND SPRING ASSY	1	
6 50506-AAA-000	MAIN STAND STOP RUBBER	1	
8 50530-ALA-000	SIDE STAND COMP	1	
9 50535-E60-000	SIDE STAND SPRING ASSY	1	
10 50542-E60-000	SPRING PLATE HOOK	1	
11 90108-G03-000	SIDE STAND SCREW	1	
12 94030-08000	HEX NUT 8MM	1	
13 95701-06022-07	BOLT FLANGE 6X22	1	
14 95801-08045-00	FLANGE BOLT 8X45	2	

✳ Please check the color & stripe information according to the color index !

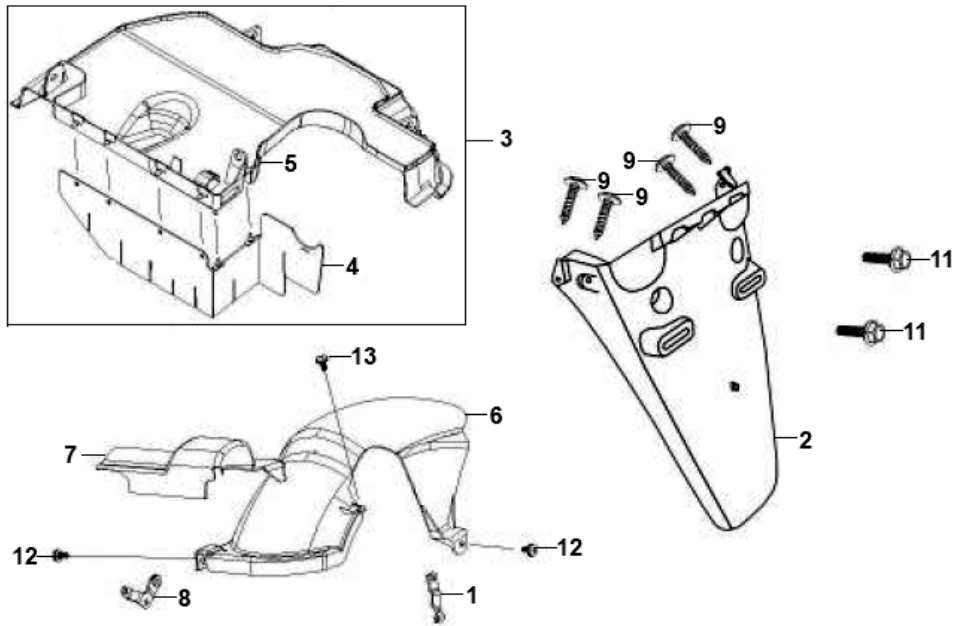


Pictures reference only

PARTS NUMBER	DESCRIPTION	QTY	EFFECTIVE DATE
1 3360A-ALA-000	RR. WINKER ASSY	1	
2 33601-ALA-000	RR.R.WINKER BASE	1	
3 33602-ALA-000	RR.R.WINKER LENS	1	
5 33651-ALA-000	RR.L.WINKER BASE	1	
6 33652-ALA-000	RR.L.WINKER LENS	1	
7 33700-ALA-000	TAIL LIGHT COMP	1	
8 33701-ALA-000	TAIL LIGHT LENS	1	
9 33702-ALA-000	TAIL LIGHT BASE	1	
10 34905-A8D-000	WINKER BULB(12V10W E MARK)	2	
11 34906-M9Q-000	BULB TAIL LIGHT(12V18/5W)	1	
12 52400-AAA-100-SB	RR. CUSHION	1	
13 90109-48128	TAPPING SCREW M4.8x12	6	
14 95801-08035-00	FLANGE BOLT M8X35	1	

※ Please check the color & stripe information according to the color index !

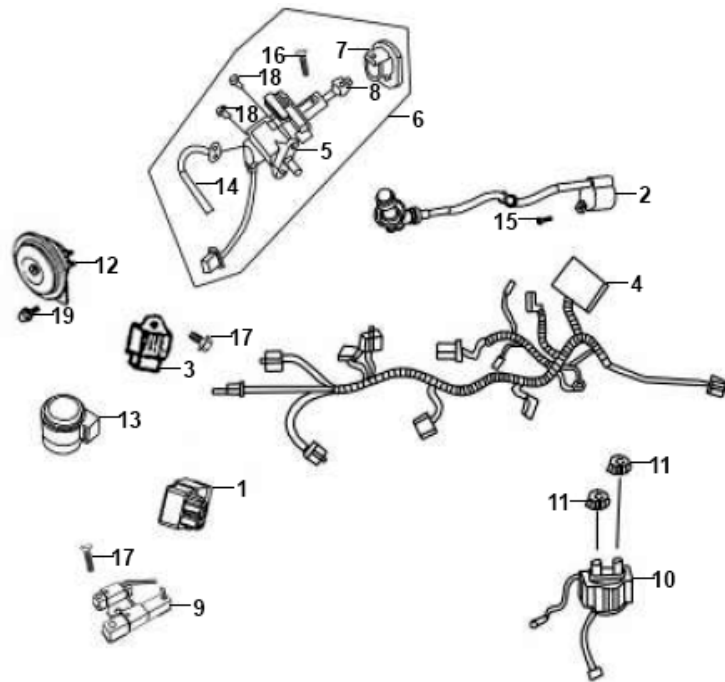




Pictures reference only

PARTS NUMBER		DESCRIPTION	QTY	EFFECTIVE DATE
1	61113-AAA-000	RR.MUDGUARD STAY	1	
2	80100-ALA-000	RR.FENDER	1	
3	8010B-ALA-000	N/A INNER FENDER ASSY	1	2008.05.07
4	80104-AAA-000	SPLASH GUARD PLATE	1	
5	80106-ALA-000	RR INNER FENDDER	1	
6	80107-AAA-100	RR MUDGUARD	1	
7	80108-AAA-000	SPLASH BOARD PLATE	1	
8	80109-AAA-000	RR. FENDER STAY	1	
9	90109-48128	TAPPING SCREW M4.8x12	4	
10	93404-06016-00	WASHER BOLT 6X16	2	
11	95801-06012-07	FLANGE BOLT 6X12	2	
12	95801-06012-07	FLANGE BOLT 6X12	2	
13	94050-06080	FLANGE NUT 6MM	1	

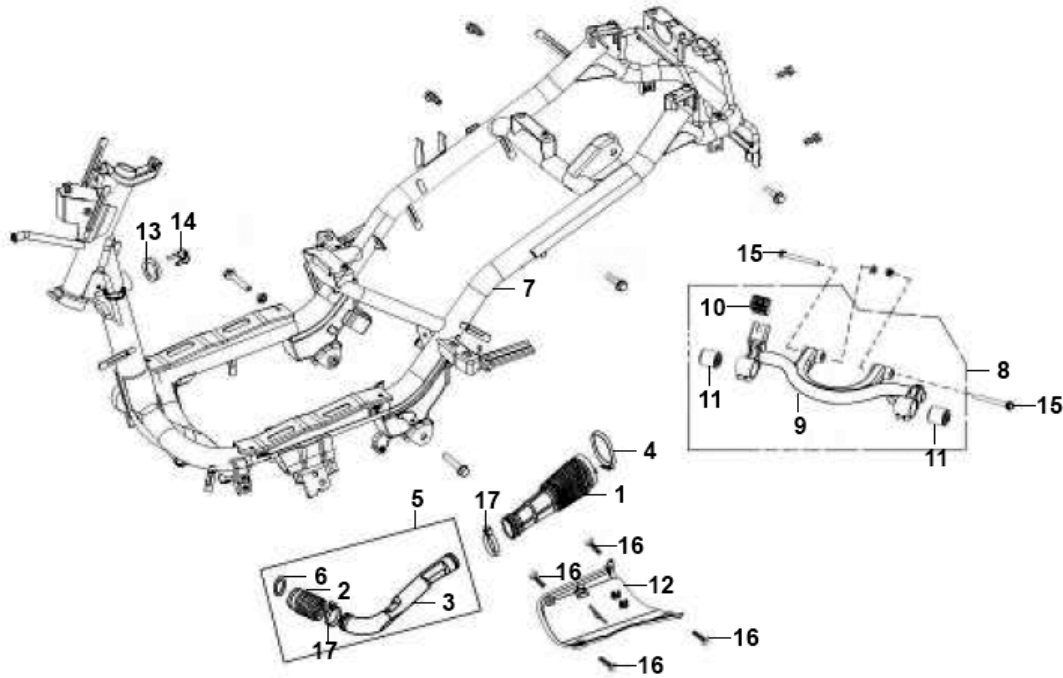
✳ Please check the color & stripe information according to the color index !



Pictures reference only

PARTS NUMBER	DESCRIPTION	QTY	EFFECTIVE DATE
1 30410-S2B-A00	C.D.I. UNIT(45KM/H)	1	
2 3051A-T3D-B00	IGN. COIL ASSY	1	
3 31600-CT3-A00	REG.REC.COMP	1	
4 32100-AKA-000	WIRE HARNESS	1	
5 35010-ALA-000	KEY SET	1	
6 35100-ALA-000	COMB.&LOCK SW.ASS'Y	1	
7 35114-ALA-000	CAP	1	
8 35111-ALA-000	KEY	1	
9 35400-T3D-A00	RESISTOR COMP	1	
10 35850-35A-A00	MAG. SW. COMP.	1	
11 35859-M9Q-000	STAR MAG. SW NUT	2	
12 38110-ABA-000	HORN COMP	1	
13 38300-T40-010	WINKER RELAY ASSY	1	
14 77240-ABA-000	SEAT LOCK CABLE COMP	1	
15 90112-M9Q-000	FLANGE BOLT 5*22	1	
16 93891-05008-08	WASHER SCREW 5*8	1	
17 95801-06012-08	FLANGE BOLT	2	
18 95801-06018-08	FLANGE BOLT 6X18	2	
19 95801-08012-08	FLANGE BOLT 8X12	1	

※ Please check the color & stripe information according to the color index !



Pictures reference only

PARTS NUMBER	DESCRIPTION	QTY	EFFECTIVE DATE
1 11345-AAA-000	L. COVER DUCT	1	
2 11347-VS1-000	N/A L. COVER DUCT B	1	
3 11348-VS1-000	N/A L. COVER DUCT JOINT	1	
4 1134B-S1B-A00	L. COVER DUCT BAND	1	
5 1134B-VS1-000	L. COVER DUCT ASSY	1	
6 17242-M9Q-000	AIR/C DUCT BAND	1	
7 50100-AKA-000	FRAME BODY COMP	1	
8 50350-AAA-000	N/A ENG. HANGER LINK ASSY	1	2008.05.07
9 50351-AAA-000	ENG.HANDLE LINK	1	
10 50352-A1A-000	LIN STOPPER RUBBER	1	
11 50353-M9Q-000	SWING LOCK BUSH	2	
12 50613-ALA-000	UNDER COVER	1	
13 64306-H12-020	INNER BOX SPONGE	1	
14 64307-M9Q-800	PIPE END. CAP	1	
15 90105-AAA-000	FLANGE BOLT10*75	2	
16 93404-06016-00	WASHER BOLT 6X16	4	
17 95014-62200	WIRE BAND B2	2	

※ Please check the color & stripe information according to the color index !

PARTS NO.	NO.	PARTS NO.	NO.	PARTS NO.	NO.
<b>11000</b>		1443K-BE2-A00	E04	17683-AAA-000	F13
11100-BE2-A02	E15	14450-BE2-A00	E04	17910-AAA-000	F03
11102-BE2-A00	E15	14452-BE2-A00	E04	<b>18000</b>	
11192-BE2-A00	E15	14510-BE2-A00	E05	18000-AKA-000	F16
11200-BE2-A00	E15	14520-BE2-A00	E05	18291-H80-A00	F16
11203-GC7-300	E14	14523-BE2-A00	E05	18292-F3E-000	F16
11203-GC7-300	E15	14531-GR0-000	E05	18293-F3E-000	F16
11211-AAA-000	E02	1453A-V02-000	E05	18295-F3E-000	F16
11331-BE2-A00	E07	14610-BE2-A00	E05	18295-T3C-A00	F15
11341-BE2-A00	E11	14711-BE2-A00	E03	18318-ALA-000	F16
11345-AAA-000	F21	14721-BE2-A00	E03	18321-ADB-000	F16
11347-VS1-000	F21	14751-GN5-911-KD	E03	18645-M9Q-000	E02
11348-VS1-000	F21	14771-GB4-680	E03	18646-M9Q-000	E02
1134B-S1B-A00	F21	14775-MA6-000	E03	18647-GY6-940	E02
1134B-VS1-000	F21	14781-MA6-000-A	E03	18657-H69-000	E02
11381-GY6-940	E11	<b>15000</b>		1865A-AAA-000	E02
11382-BE2-A00	E11	15100-BE2-A00	E09	18860-H6H-910	E02
11384-BE2-A00	E01	15421-H66-000	E07	<b>19000</b>	
11394-BE2-A00	E07	15426-GE1-920	E07	19510-BE2-A00	E08
11395-BE2-A00	E11	1565A-V02-000	E07	19613-GY6-900	E01
<b>12000</b>		<b>16000</b>		1961A-BE2-A00	E01
12101-BE2-A00	E06	16100-AAB-000	E02	19625-BE2-A00	E01
12191-BE2-A00	E06	16101-AAA-A00	E02	1962A-BE2-A00	E01
12200-BE2-A00	E03	1621A-BE2-A00	E03	19632-BE2-A00	E01
12209-GB4-681	E03	16910-M9Q-000	F13	19633-BE2-A00	E01
1220A-BE2-A00	E03	16950-M9Q-000	F13	1963A-BE2-A00	E01
12211-BE2-A00	E04	<b>17000</b>		<b>21000</b>	
12237-BE2-A00	E03	17110-BE2-A00	E03	21301-BE2-A00	E14
12251-BE2-A00	E03	1711A-BE2-A00	E03	21395-BE2-A00	E14
12301-BE2-A00	E02	17200-AAA-010	F15	<b>22000</b>	
12302-BE2-A00	E02	17210-S1B-A00	F15	22101-BE2-A00	E13
1236A-V02-000	E07	17211-AAA-000	F15	22102-BE2-A00	E12
12391-BE2-A00	E02	17216-AAA-000	F15	22103-BE2-A00	E12
<b>13000</b>		17230-S1B-A00	F15	22105-BE2-A00	E12
13000-BE2-A00	E16	17231-AAA-000	F15	22106-AAB-000	E12
13010-BE2-A00	E16	17242-M9Q-000	F21	22110-BE2-A00	E12
13101-BE2-A00	E16	17256-BE2-A00	E03	22112-BE2-A00	E12
13111-BE2-A00	E16	17500-AAA-000	F13	2211A-BE2-A00	E12
<b>14000</b>		17620-S7A-A00	F13	22121-BE2-A00-A	E12
14100-BE2-A00	E04	17682-ABA-000	F13	22131-BE2-A00	E12

PARTS NO.	NO.	PARTS NO.	NO.	PARTS NO.	NO.
22132-BE2-A00-A	E12	31600-CT3-A00	F20	35200-M9Q-000	F05
22300-BE2-A00	E13	<b>32000</b>		35340-M92-000	F03
22350-BE2-A00	E13	32100-AKA-000	F20	35340-M92-000	F04
22361-BE2-A00	E13	32411-ALA-000	F14	35400-T3D-A00	F20
22401-BE2-A00	E13	<b>33000</b>		35850-35A-A00	F20
22530-BE2-A00-A	E13	33100-ALA-000	F01	35859-M9Q-000	F20
22804-BE2-A00	E13	33101-ALA-000	F01	<b>36000</b>	
<b>23000</b>		33103-ALA-000	F01	36600-A1A-000	F12
23010-BE2-A00	E13	33107-A7A-000	F01	<b>37000</b>	
23200-BE2-A00	E13	33400-ALA-000	F06	37200-AKA-000	F02
23210-BE2-A00	E13	33401-ALA-000	F06	37204-ALA-000	F02
23220-BE2-A00	E13	33402-ALA-000	F06	37224-AKA-000	F02
23225-BE2-A00	E13	33450-ALA-000	F06	37800-ABA-000	F13
23226-GC8-003	E13	33451-ALA-000	F06	37801-M9Q-000	F13
23233-BE2-A00	E13	33452-ALA-000	F06	37802-M9Q-000	F13
23237-BE2-A00	E13	33601-ALA-000	F18	<b>38000</b>	
23238-BE2-A00	E13	33602-ALA-000	F18	38110-ABA-000	F20
23411-BE2-A00	E14	3360A-ALA-000	F18	38300-T40-010	F20
23420-BE2-A00	E14	33651-ALA-000	F18	<b>42000</b>	
23431-BE2-A00	E14	33652-ALA-000	F18	42601-AAA-000-BT	F11
23432-BE2-A00	E14	33700-ALA-000	F18	42710-AKA-000	F11
2343A-BE2-A00	E14	33701-ALA-000	F18	42712-ABA-000	F11
<b>28000</b>		33702-ALA-000	F18	42753-ABA-000	F10
2812A-BE2-A00	E10	3374A-AKA-000	F06	<b>43000</b>	
28221-BE2-A00	E12	3375A-AKA-000	F06	43120-Y01-E00	F11
28223-BE2-A10	E12	<b>34000</b>		4312A-Y01-E00	F11
28230-BE2-A10	E12	34901-X06-000	F01	43141-AAA-000	F11
2823A-BE2-A10	E12	34905-A8D-000	F06	43410-AAA-000	F11
28250-BE2-A10	E12	34905-A8D-000	F18	43450-AAA-000	F03
28254-BE2-A10	E12	34906-M9Q-000	F18	43472-F01-000	F11
28281-BE2-A00	E12	34908-M9Q-200	F01	<b>44000</b>	
28300-S1B-A00	F17	<b>35000</b>		44301-H3F-000	F10
<b>30000</b>		35010-ALA-000	F20	44311-GW0-910	F10
30410-S2B-A00	F20	35100-ALA-000	F20	44601-AAA-000-BT	F10
3051A-T3D-B00	F20	35111-ALA-000	F20	44620-AAA-000	F10
<b>31000</b>		35114-ALA-000	F20	44710-AKA-000	F10
31100-AAA-A00	E08	35150-M9F-A00	F05	44800-ALA-000	F10
31110-BE1-A00	E08	35160-M9Q-000	F05	44830-ALA-000	F02
31120-AAA-A00	E08	35170-M9Q-000	F05	<b>45000</b>	
31200-BE1-A00	E10	35180-M9Q-000	F05	45100-T6R-900	F04

PARTS NO.	NO.	PARTS NO.	NO.	PARTS NO.	NO.
45105-G22-900-A	F04	53140-S1F-A00-BR	F03	64300-ALA-000-WD	F08
45121-AAA-000	F10	53166-S1F-A00	F03	64301-ALA-000-BN	F06
45126-ALA-000	F04	53166-S1F-A00-BR	F03	64301-ALA-000-GR	F06
45133-096-A00	F11	53167-H09-A00	F03	64301-ALA-000-K	F06
45156-ALA-000	F09	53168-H09-A00	F03	64301-ALA-000-RD	F06
45159-ALA-000	F09	53175-AAA-000	F04	64301-ALA-000-SB	F06
45451-CT1-A10	F09	5317A-GAK-V00	F03	64301-ALA-000-WD	F06
45500-AAA-000	F04	53200-ALA-000	F09	64306-H12-020	F21
4550A-ALA-000	F04	53205-ALA-000-BN	F05	64307-M9Q-800	F21
<b>50000</b>		53205-ALA-000-GR	F05	64310-ALA-000-BK	F07
50100-AKA-000	F21	53205-ALA-000-K	F05	64310-ALA-000-BR	F07
50301-M9Q-000	F09	53205-ALA-000-RD	F05	64318-ALA-000-BK	F06
50302-M9Q-000	F09	53205-ALA-000-SB	F05	64318-ALA-000-BR	F06
50306-M9Q-000	F09	53205-ALA-000-WD	F05	<b>70000</b>	
50326-AAA-000	F07	53206-ALA-000-BK	F05	70529-657-670	E01
50326-AAA-000-BR	F07	53206-ALA-000-BR	F05	<b>77000</b>	
50350-AAA-000	F21	53211-M9Q-000	F09	77200-ALA-000-BR	F12
50351-AAA-000	F21	53212-M9Q-000	F09	77200-ALA-000-QM	F12
50352-A1A-000	F21	53270-ALA-000	F05	77201-T36-000	F12
50353-M9Q-000	F21	53272-ALA-000	F05	77226-M3F-000	F09
50500-AKA-000	F17	53273-ALA-100	F05	77230-AKA-000	F12
50503-A5C-000	F17	53274-ALA-100	F05	77234-M8Q-000	F12
50504-A5C-000	F17	53275-ALA-100	F05	77240-ABA-000	F12
50505-E60-000	F17	53276-ALA-000	F05	77240-ABA-000	F20
50506-AAA-000	F17	5327G-ALA-000	F05	<b>80000</b>	
50530-ALA-000	F17	<b>61000</b>		80100-ALA-000	F19
50535-E60-000	F17	61100-ALA-000-BN	F09	80104-AAA-000	F19
50542-E60-000	F17	61100-ALA-000-GR	F09	80106-ALA-000	F19
50612-ALA-000-BK	F07	61100-ALA-000-K	F09	80107-AAA-100	F19
50612-ALA-000-BR	F07	61100-ALA-000-RD	F09	80108-AAA-000	F19
50613-ALA-000	F21	61100-ALA-000-SB	F09	80109-AAA-000	F19
<b>51000</b>		61100-ALA-000-WD	F09	8010B-ALA-000	F19
51400-ALA-000	F09	61113-AAA-000	F19	80151-ALA-000-BK	F07
51500-ALA-000	F09	61114-AKA-000	F15	80151-ALA-000-BR	F07
<b>52000</b>		<b>64000</b>		<b>81000</b>	
52400-AAA-100-SB	F18	64300-ALA-000-BN	F08	81131-ALA-000-BK	F06
<b>53000</b>		64300-ALA-000-GR	F08	81131-ALA-000-BR	F06
53100-AKA-000	F03	64300-ALA-000-K	F08	81132-M7Q-000	F06
53125-M9Q-000	F03	64300-ALA-000-RD	F08	81132-M7Q-000-BR	F06
53140-S1F-A00	F03	64300-ALA-000-SB	F08	81200-ALA-000	F12

PARTS NO.	NO.	PARTS NO.	NO.	PARTS NO.	NO.
81250-ALA-000	F12	87127-AKA-001-T1	F08	90109-48168	F06
81251-ALA-000	F12	87127-AKA-001-T1	F08	90109-48168	F07
<b>83000</b>		87127-AKA-001-T2	F08	90109-48168	F08
83500-ALA-000-BN	F08	87127-AKA-001-T2	F08	90110-H6T-000	F09
83500-ALA-000-GR	F08	87127-AKA-001-T2	F08	90111-M9Q-800	F07
83500-ALA-000-K	F08	87127-AKA-001-T2	F08	90112-M9Q-000	F20
83500-ALA-000-RD	F08	87500-AAA-000	F12	90115-G02-000	F06
83500-ALA-000-SB	F08	87505-ALA-000	F12	90115-M9Q-000	F03
83500-ALA-000-WD	F08	87560-E21-000	F12	90118-HAA-000	F03
83520-ALA-000-BN	F08	<b>88000</b>		90118-HAA-000	F05
83520-ALA-000-GR	F08	88110-ALA-000	F05	90118-HAA-000	F06
83520-ALA-000-K	F08	88120-ALA-000	F05	90118-HAA-000	F08
83520-ALA-000-RD	F08	<b>89000</b>		90145-M9Q-000	F04
83520-ALA-000-SB	F08	89010-ABA-000	F14	90202-187-000	E13
83520-ALA-000-WD	F08	<b>90000</b>		90206-001-000	E04
83600-ALA-000-BN	F08	90012-333-000	E04	90301-M9Q-000	F16
83600-ALA-000-GR	F08	90031-BE2-A00	E15	90302-M92-000	F08
83600-ALA-000-K	F08	90032-BE2-A00	E15	90304-M9Q-000	F03
83600-ALA-000-RD	F08	90032-M9Q-300	E03	90305-M9Q-900	F11
83600-ALA-000-SB	F08	90032-M9Q-300	E03	90306-M9Q-000	F10
83600-ALA-000-WD	F08	90033-V02-000	E03	90307-M9Q-000	F01
83620-ALA-000-BN	F08	90101-KAA-000	F01	90308-X04-000	F07
83620-ALA-000-GR	F08	90103-H68-000	E14	90308-X04-000	F12
83620-ALA-000-K	F08	90104-X04-000	F09	90441-BE2-A00	E08
83620-ALA-000-RD	F08	90105-AAA-000	F21	90441-BE2-A00	E13
83620-ALA-000-SB	F08	90105-T36-000	F12	90443-BE2-A00	E04
83620-ALA-000-WD	F08	90106-N02-000	F10	90451-M9Q-000	E12
<b>87000</b>		90106-TAA-000	F03	90474-333-000-KD	E14
87123-H85-000	F06	90108-G03-000	F17	90501-M9Q-000	F11
87123-H85-000	F06	90109-42128	F01	90545-M9Q-000	F04
87123-H85-000	F06	90109-42128	F05	90555-T3A-A00	F16
87123-H85-000	F06	90109-42128	F07	90605-BE2-A00	E13
87123-H85-000	F06	90109-42128	F08	90702-VA2-000	E03
87123-H85-000	F06	90109-42168	F07	90702-VA2-000	E04
87127-AKA-001-T1	F08	90109-42168	F12	90702-VA2-000	E06
87127-AKA-001-T1	F08	90109-48128	F06	90754-M9Q-000-M2	F10
87127-AKA-001-T1	F08	90109-48128	F08	90912-M9Q-000	F10
87127-AKA-001-T1	F08	90109-48128	F18	<b>91000</b>	
87127-AKA-001-T1	F08	90109-48128	F19	91001-BE2-A00	E13
87127-AKA-001-T1	F08	90109-48168	F02	91002-BE2-A00	E13

PARTS NO.	NO.	PARTS NO.	NO.	PARTS NO.	NO.
91201-BE2-A00	E07	94301-08140	E11	96001-06022-49	F16
91201-BE2-A00	E15	94301-08140	E15	96001-06025-08	E01
91202-BE2-A00	E14	94301-10160	E14	96001-06025-08	E02
91211-BE2-A00	E13	94510-20000	E14	96001-06025-08	E09
91255-GE0-003	E15	94520-24000	E13	96001-06035-00	E11
91301-053-000	E14	94601-13000	E16	96001-06040-08	E11
91301-BE2-A00	E03	<b>95000</b>		96001-06050-08	E15
91301-GR0-003-KD	E05	95001-35215-40	F13	96001-06085-08	E03
91302-M9T-000	E07	95002-02070	F13	96001-06085-08	E07
91305-M9Q-000	E03	95002-02080	F13	96001-06100-08	E07
91307-035-000	E07	95014-62200	F21	96100-60020-00	E15
91309-BE2-A00	E10	95015-32001	F11	96100-60040-00	E14
91352-M9Q-000	F11	95015-42000	F11	96100-62010-00	E14
91384-BE2-A00	E13	95701-06022-07	F17	96100-62010-00	E15
91981-KN7-670	E10	95701-06025-08	E02	96150-60043-10	E15
<b>92000</b>		95701-08035-00	E14	96211-05000	F09
92101-05012-0A	E08	95701-08040-00	E14	96211-08000	F09
92800-1200A	E15	95801-06012-07	F19	<b>DRIVE BELT</b>	
<b>93000</b>		95801-06012-07	F19	1B01BE201	E13
93401-08020-00	F12	95801-06012-08	F12	<b>CAM CHAIN</b>	
93404-06016-00	F12	95801-06012-08	F13	1C14401-BE2-A00	E05
93404-06016-00	F19	95801-06012-08	F15	<b>SPARK PLUG</b>	
93404-06016-00	F21	95801-06012-08	F20	1PCR7HSA-3	E03
93500-05025-08	F03	95801-06018-08	F20	<b>BATTERY</b>	
93891-05008-08	F20	95801-06020-08	F09	1Y01EG1301-X	F14
93904-35380	E01	95801-06022-07	F04	<b>CARB FIXING SET</b>	
<b>94000</b>		95801-06032-00	F11	AAA-2	E02
94001-05070-0S	F03	95801-08012-08	F20	AAA-3	E02
94001-12000	E12	95801-08035-00	F18	AAA-4	E02
94030-08000	F17	95801-08040-00	F09	AAA-5	E02
94050-06080	E03	95801-08045-00	F17	AAB-1	E02
94050-06080	F12	95801-08045-07	F16		
94050-06080	F19	95801-08055-07	F16		
94050-07080	E04	<b>96000</b>			
94050-10080	E08	96001-06018-08	E05		
94050-10080	E13	96001-06018-08	E08		
94102-12800	E12	96001-06020-08	E08		
94109-12000	E15	96001-06022-08	E02		
94301-08110	E09	96001-06022-08	E09		
94301-08140	E07	96001-06022-08	E10		



