

# Spare Parts List

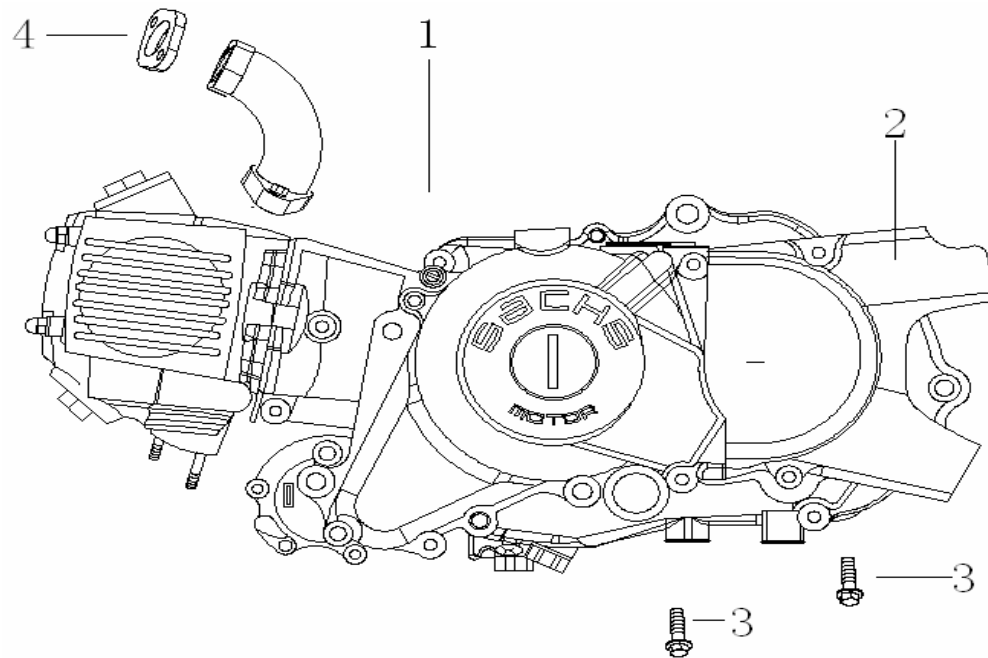
## Chassis



SPIDER

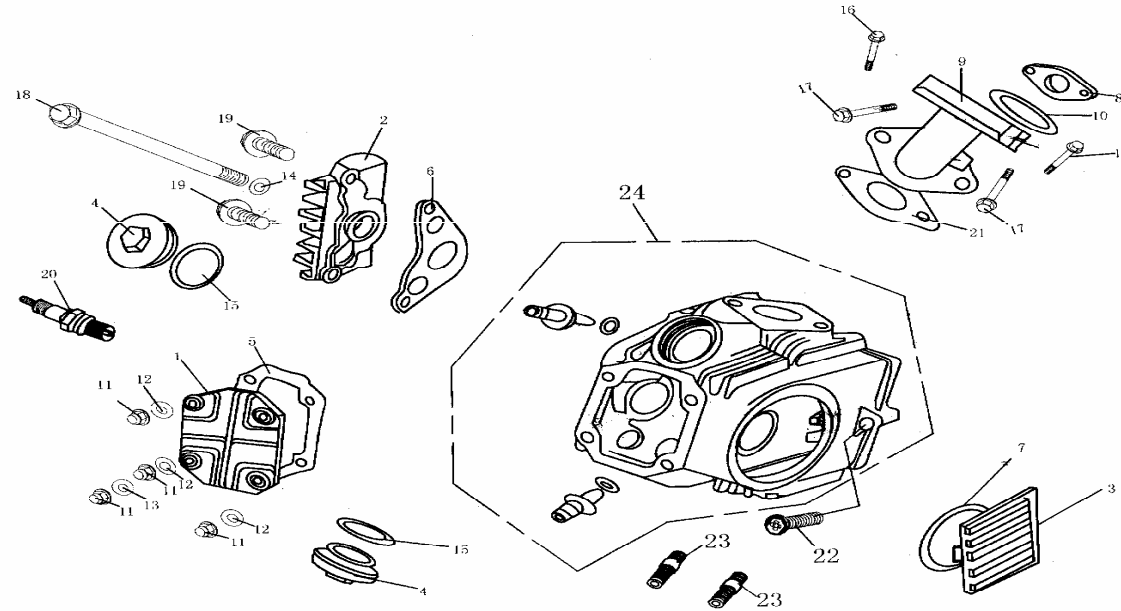


E-0 Engine Assy



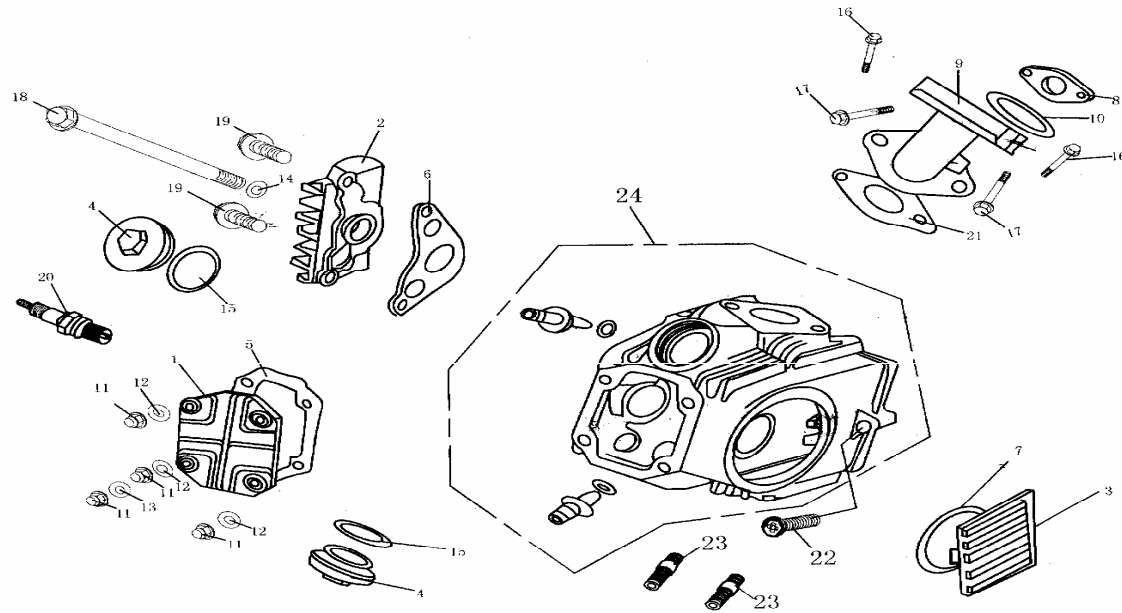
NO	Parts No	Description	Qty	Note
1	10100-FYBQ-0GA	Engine Assy(Silver)	1	
	10100-FYBQ-0GB	Engine Assy(Black dark)	1	
2	11430-FYBF-00A	Chain cover(silver)	1	
	11430-FYBF-00B	Chain cover(black)	1	
3	GB/T16674.1-M6*28-A3H	Flange bolt M6*29	2	
4	90325-FYIE8-000	heat insulation washer	1	

## E-1 Cylinder Head



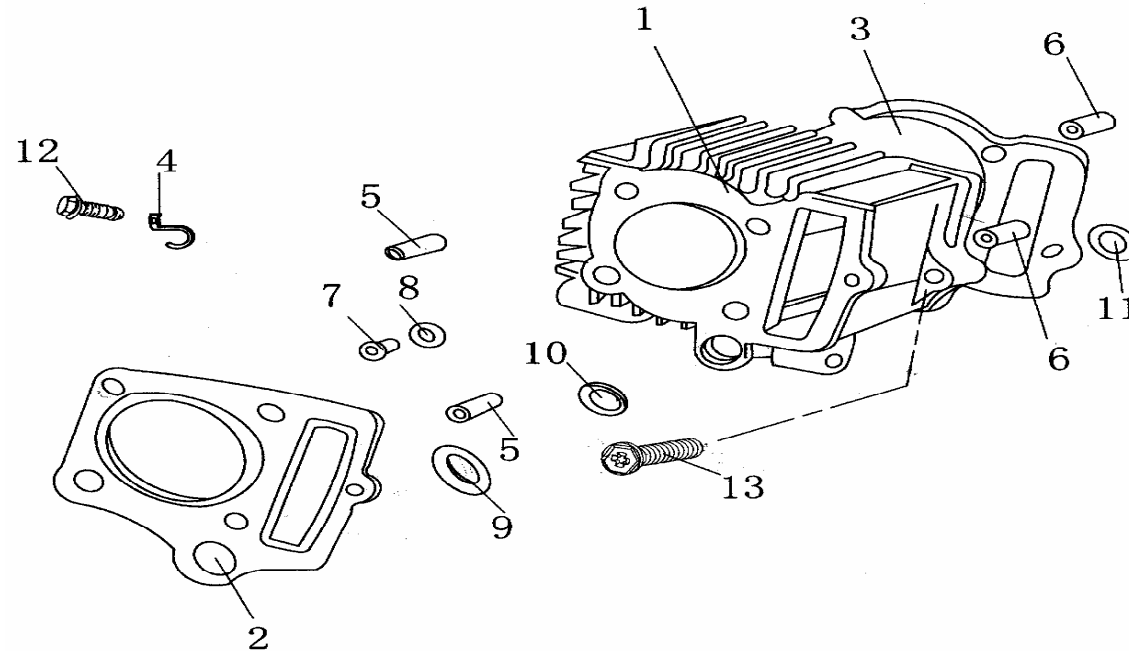
NO	Parts No	Description	Qty	Note
1	12310-FYBF-000	Cover.Cylinder Head	1	
2	12332-FYBF-000	Right Cover.Cylinder	1	
3	12331-FYBF-000	left Cover.Cylinder	1	
4	12335-FYBF-000	Cover.Valve	2	
5	12392-FYBF-000	Gasket.Cover.Cylinder Head	1	
6	12334-FYBF-000	Gasket.Right Cover.Cylinder	1	
7	12333-FYBF-000	Gasket.Left Cover.Cylinder	1	
8	90325-FYIE8-000	Gasket Carburetor insulator	1	
9	16103-FYBF-000	inlet pipe	1	
10	90701-25002-004	O-Gasket 25*2.4	1	
11	GB/T923-M6-F5J	Cap Nut M6(chrom)	4	
12	90301-08014-2500B	steel washer $\phi 8*14*2.5$	3	
13	90301-08014-25CU0	Flat Washer $\phi 8*14*2.5$	1	
14	90301-06013-01AL0	flat washer $\phi 6*13*1$	1	

# E-1 Cylinder Head



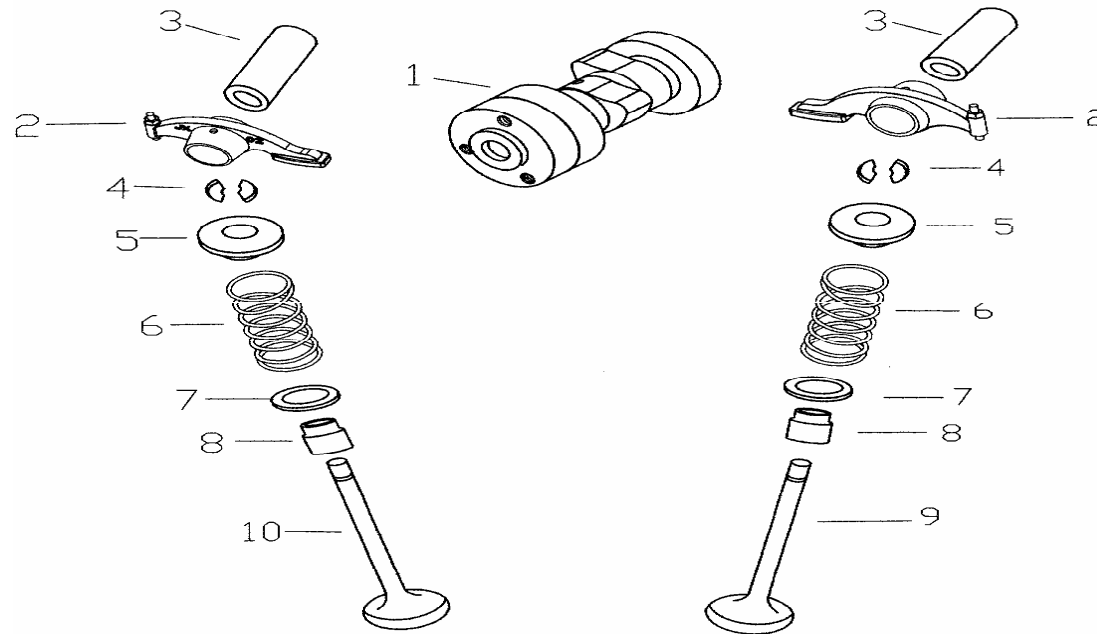
NO	Parts No	Description	Qty	Note
15	90701-30003-002	O-Gasket 3 0.8 * 3 . 2	2	
16	90103-06025-00F5J	Hex Flange Bolt M6*25	2	
17	90103-06032-00F5J	Hex Flange Bolt M6*32	2	
18	GB/T5789-M6*110-F5J	Hex Flange Bolt M6*110	1	
19	90103-06020-00F5J	Hex Flange Bolt M6*20	2	
20	30700-FYBF-000	Spark Plug	1	
21	16105-FYBF-000	Gasket.Inlet Pipe	1	
22	GB19.2-88-06032-L	Hex Cross Bolt M6*20	1	
23	GB/T899-M6*22-A2F	Stud Bolt M6*32	2	
24	12200-FYBF-000	Cyliner Head assy	1	

E-2 Cylinder



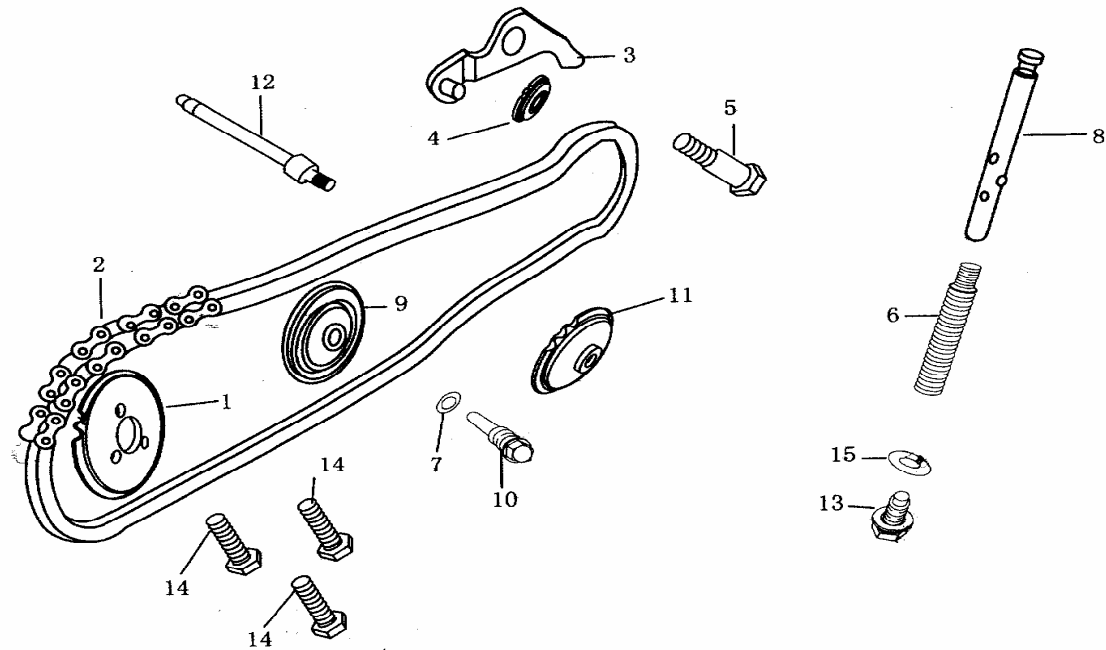
NO	Parts No	Description	Qty	Note
1	12000-FYBF-000	Cylinder Body	1	
2	12391-FYBF-000	Gasket.Cylinder Head	1	
3	12191-FYBF-000	Gasket.Cylinder body	1	
4	90563-FYBF-000	located clip,high voltage	1	
5	90411-08014-000	Dowel Pin $\phi 8 \times 14$	2	
6	90411-08012-000	Dowel Pin $\phi 8 \times 12$	2	
7	90414-08012-000	T bush 8*12	1	
8	90715-11009-002	Rectangle Gasket 11.7*9*2.4	1	
9	90414-14010-002	bush 14.5*10*2		
10	90715-14018-002	Rectangle Gasket 14.5*18.5*2.4	1	
11	90715-11015-002	Rectangle Gasket 11.5*15.7*2.4	1	
12	GB/T16674-96-06018-L	Hex Flange Bolt M6*18	1	
13	GB/T29.2-M6*20-F5J	Hex Cross Bolt M6*20	1	

**E-3 Camshaft & Valve**



NO	Parts No	Description	Qty	Note
1	14100-FYBF-000	Camshaft Comp	1	
2	14430-FYBF-000	Rocker Arm comp	2	
3	14450-FYBF-000	Shaft.Rocker Arm	2	
4	14781-FYBF-000	Cotter Valve	4	
5	14771-FYBF-000	Holder.Spring Valve	2	
6	14751-FYBF-000	spring, valve outer	2	
7	28103-17023-1000K	Shaft Circlip 17*23*1	2	
8	14790-FYBF-000	Oil Seal, Valve Stem	2	
9	14711-FYBF-000	Inlet Valve	1	
10	14721-FYBF-000	Exhaust Valve	1	

## E-4 Camchain & Tensioner

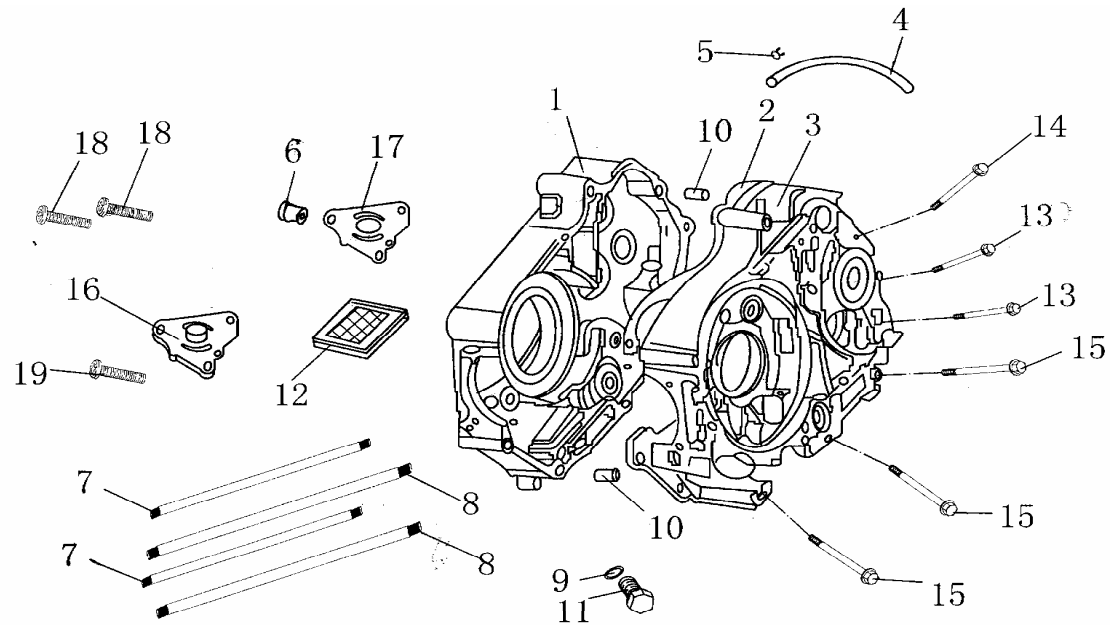


NO	Parts No	Description	Qty	Note
1	14109-FYBF-000	Timing Driven Sprocket Wheel	1	
2	14440-FYBF-000	timing chain	1	
3	14530-FYBF-000	Chain Tension Arm Comp	1	
4	14541-FYBF-000	Chain Tension Trolley	1	
5	14542-FYBF-000	Mandrel,Chain Tension Arm	1	
6	14543-FYBF-000	Spring,Chain Tension Bar	1	
7	90301-08015-15AL0	Flat Washer $\phi 8 \times 15 \times 1.5$	1	
8	14510-FYBF-000	Chain Tension Bar Comp	1	
9	14560-FYBF-000	Chain Tension Trolley Comp	1	
10	14561-FYBF-000	Bolt.Chain Tension Trolley(chrom)	1	
11	15133-FYBF-000	Driven Sprocket.Oil Pump	1	
12	15114-FYBF-000	Sprocket Axle.Oil Pump	1	
13	14562-14012-000B	Axle Bolt.TensionerM14*12	1	
14	GB/T5783-M5*12-A2F	hex boltM5*12	3	



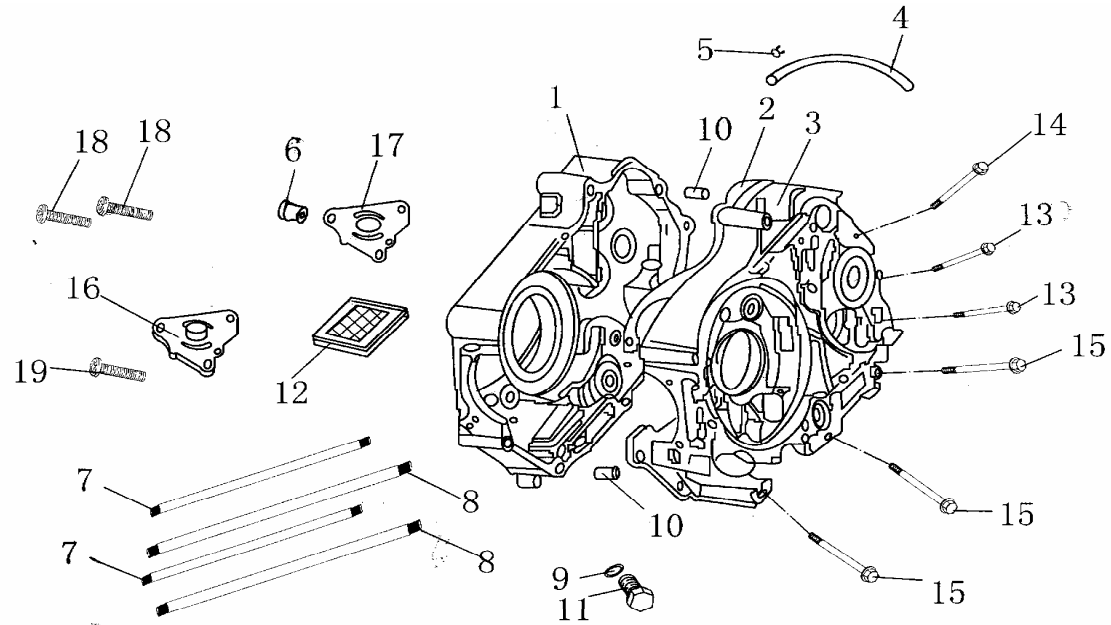


# E-5 Crankcase



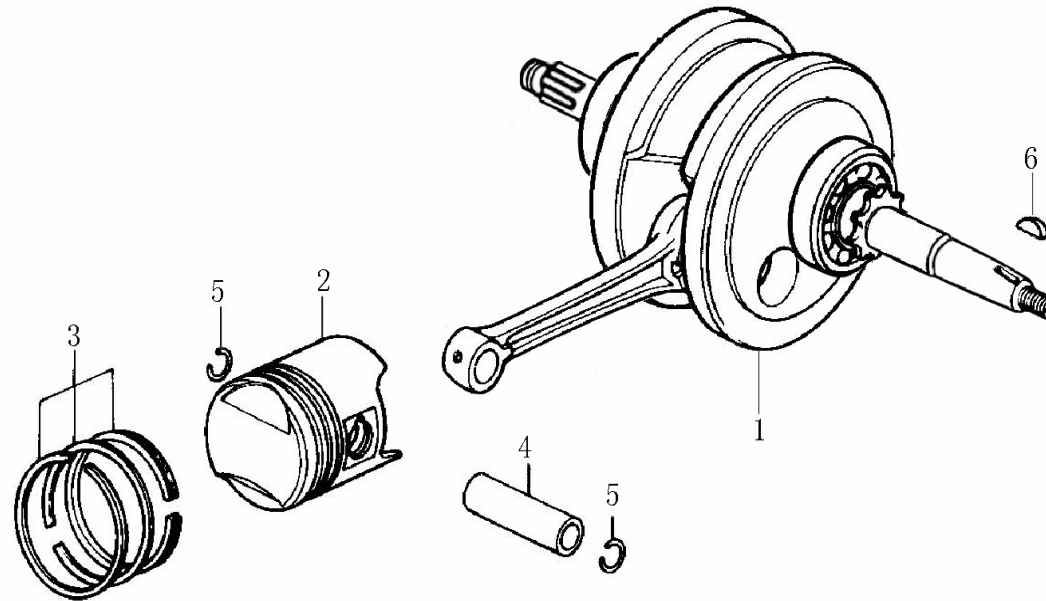
NO	Parts No	Description	Qty	Note
1	11110-FYBF-000	Crankcase.R	1	
2	11191-FYBF-000	gasket,crankcase	1	
3	11210-FYBF-000	Crankcase.L	1	
4	11211-FYBF-000	Ventilation pipe, crankcase	1	
5	11212-FYBF-000	Guide plate, ventilation pipe	1	
6	15112-FYBF-000	Bush.Sprocket	1	
7	GB/T899-M6*178-A3H	stub boltM6*188	2	
8	GB/T899-M6*186-A3H	stub boltM6*196	2	
9	90301-12020-15AL0	flate washer12*20*1.5	1	
10	90411-10014-000	dowel pin10*14	2	
11	GB/T5789-96-12016X-C	hex flange boltM12*1.5*16	1	
12	15160-FYBF-000	Fuel Filter Screen assy	1	
13	90103-06060-00F5J	hex flange boltM6*60	2	
14	90103-06050-00F5J	hex flange boltM6*50	1	

E-5 Crankcase



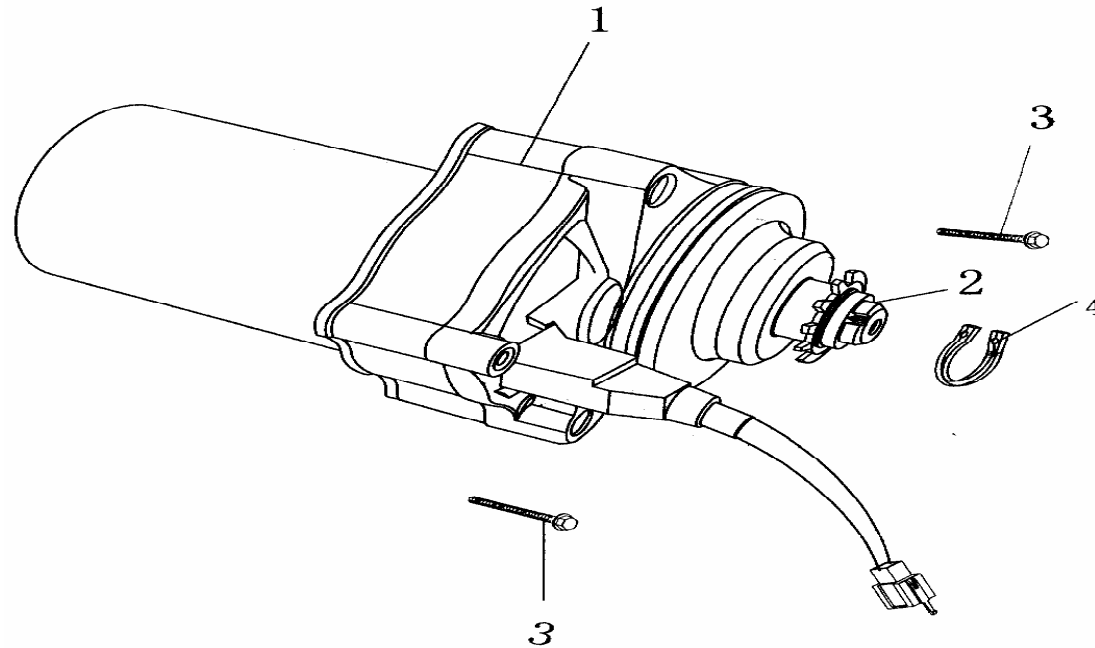
NO	Parts No	Description	Qty	Note
15	90103-06065-00F5J	hex flange boltM6*65	3	
16	15000-FYBF-000	Oil Pump Body assy	1	
17	15116-FYBF-000	Gasket.Oil Pump Body	1	
18	GB/T818-M6*16-A2F	Cross Head ScrewM6*16	2	
19	GB/T818-M6*22-A2F	Cross Head ScrewM6*22	1	

E-6 Crankshaft & Piston



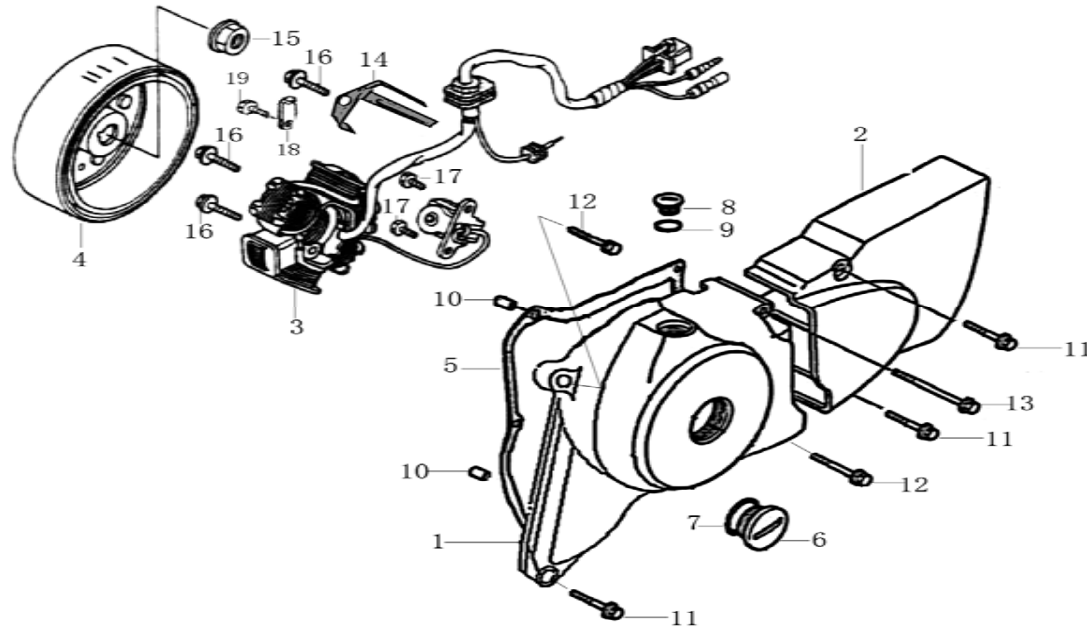
NO	Parts No	Description	Qty	Note
1	13200-FYBF-000	Crank connecting-rod assy	1	
2	13101-FYBF-000	Piston	1	
3	13120-FYBF-000	Piston Ring	1	
4	13111-FYBF-000	Piston Pin	1	
5	13112-FYBF-000	Circlip, piston pin	2	
6	13206-FYBF-000	Woodruff Key	1	

E-7 Starting Motor



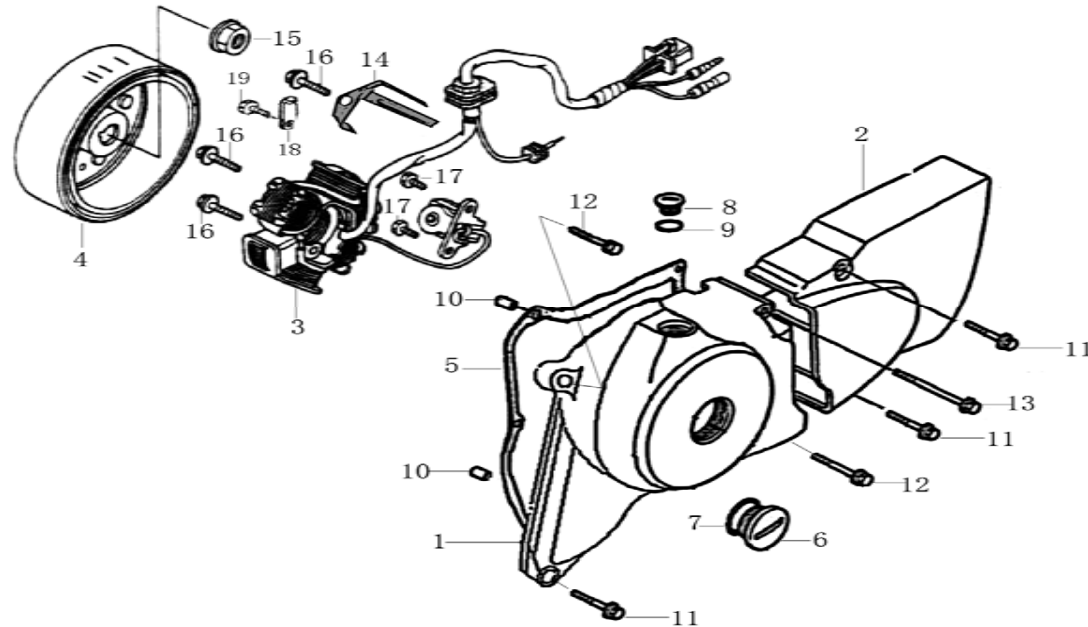
NO	Parts No	Description	Qty	Note
1	31200-FYBF-000	Start Motor Assy	1	
2	31231-FYBF-000	Electical drive Sprocket	1	
3	90103-06025-00F5J	Hex Flange Bolt M6*25	2	
4	GB894.1-86-10001	spring circlip10*1	1	

E-8 A.C.G & Left Casecover



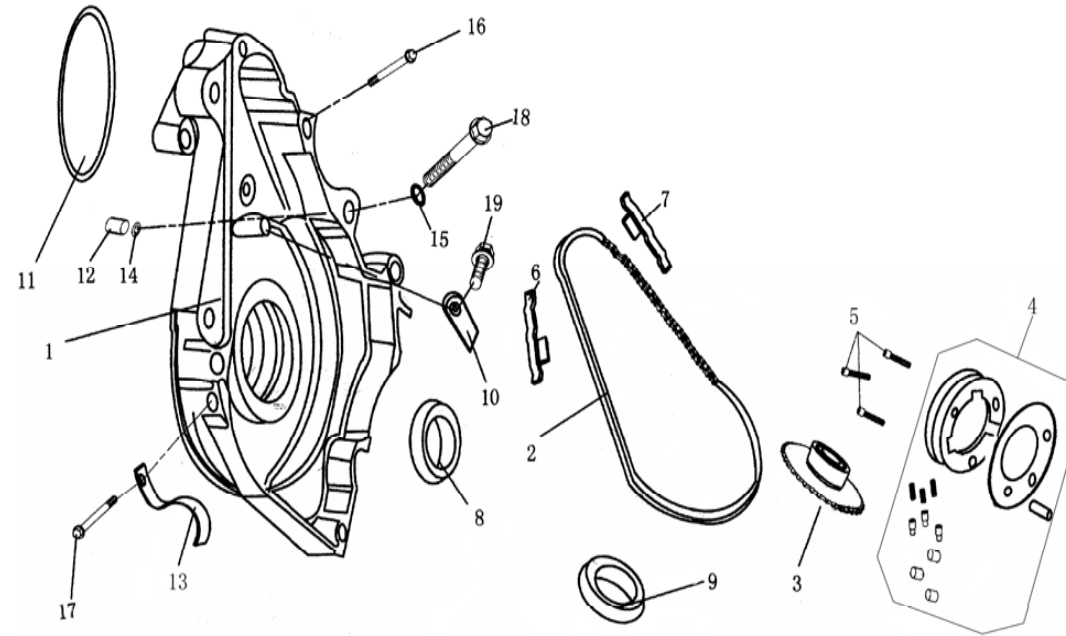
NO	Parts No	Description	Qty	Note
1	11400-FYBF-000	L,crankcase cover	1	
2	11430-FYBF-00A	L,drive sprocket cover	1	
	11430-FYBF-00B	L,drive sprocket cover	1	
3	31120-FYBF-000	Stator Comp	1	
4	31110-FYBF-000	rotor comp	1	
5	11495-FYBF-000	gasket,left crankcase cover	1	
6	11446-FYBF-000	Timing,Cover sight hole side	1	
7	90701-27002-000	0-gasket27*2	1	
8	11445-FYBF-000	Timing,Cover sight hole upper	1	
9	90701-13002-000	0-gasket13.8*2.5	1	
10	90411-08014-000	Dowel Pin $\phi 8 \times 14$	2	
11	90103-06025-00F5J	Hex Flange Bolt M6*25	3	
12	90103-06032-00F5J	Hex Flange Bolt M6*32	2	
13	90103-06050-00F5J	hex flange boltM6*50	1	

E-8 A.C.G & Left Casecover



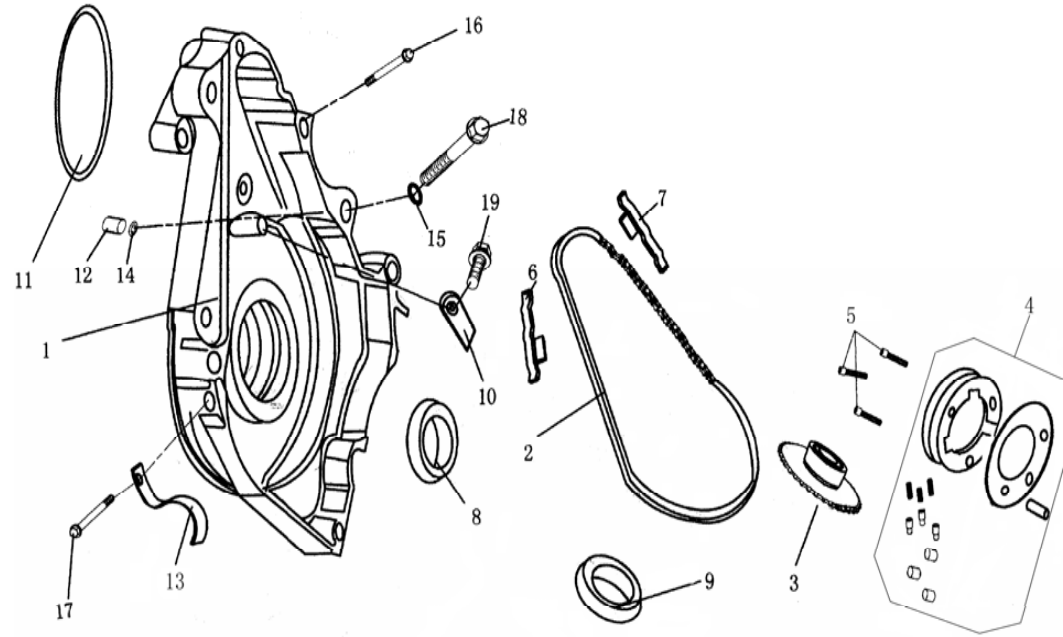
NO	Parts No	Description	Qty	Note
14	31116-FYBF-000	pressing-wire plate,magneto	1	
15	GB/T6177.2-2000-10000X	hex flange boltM10*1.25	1	
16	90103-06020-00F5J	Hex Flange Bolt M6*20	3	
17	GB/T818-M5*16-F5J	Cross Head ScrewM5*16	2	
18	31117-FYBF-000	limited plate	1	
19	GB818-2000-05005-B	Cross Head Screw M5*5	1	

## E-9 Starting Clutch



NO	Parts No	Description	Qty	Note
1	11251-FYBF-000	cover,starting motor	1	
2	31210-FYBF-000	Driving chain	1	
3	28121-FYBF-000	Driven sprocket assy.	1	
4	28120-FYBF-000	one-way clutch assy	1	
5	GB/T70.1-M6*12-A3H	inner hex boltM6*12	3	
6	28134-FYBF-000	Tension board chain	1	
7	28132-FYBF-000	Guide board chain	1	
8	90801-30042-004	oil seal30*42*4.5	1	
9	90801-18030-005	oil seal18.9*30*5	1	
10	23802-FYBF-000	limited plate	1	
11	90701-02107-000	O-gasket107*2	1	
12	90411-08014-000	Dowel Pin $\phi 8 \times 14$	1	
13	90561-FYBF-000	circlip,motor	1	
14	90701-08002-000	gasket8*2	1	

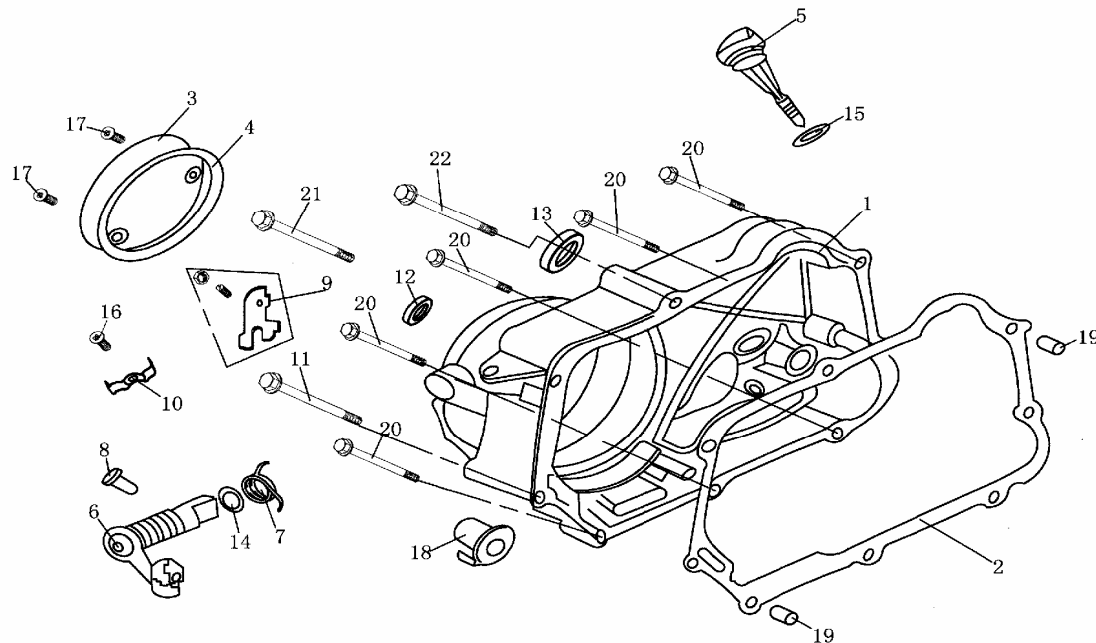
**E-9 Starting Clutch**



NO	Parts No	Description	Qty	Note
15	90301-06010-10AL0	flate washer6*10*1	1	
16	GB/T16674.1-M6*105-F5J	hex flange boltM6*105	1	
17	90103-06025-00F5J	Hex Flange Bolt M6*25	1	
18	GB/T16674.1-M6*35-F5J	hex flange boltM6*35	1	
19	90103-06012-00F5J	hex flange boltM6*12	1	

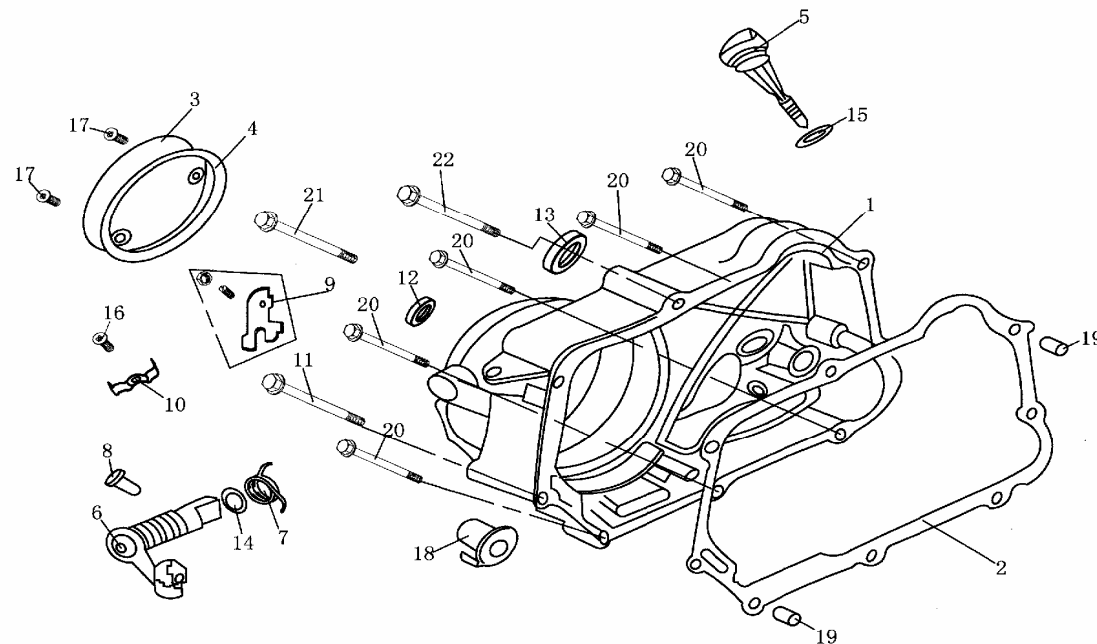


## E-10 Right Crankcase Cover



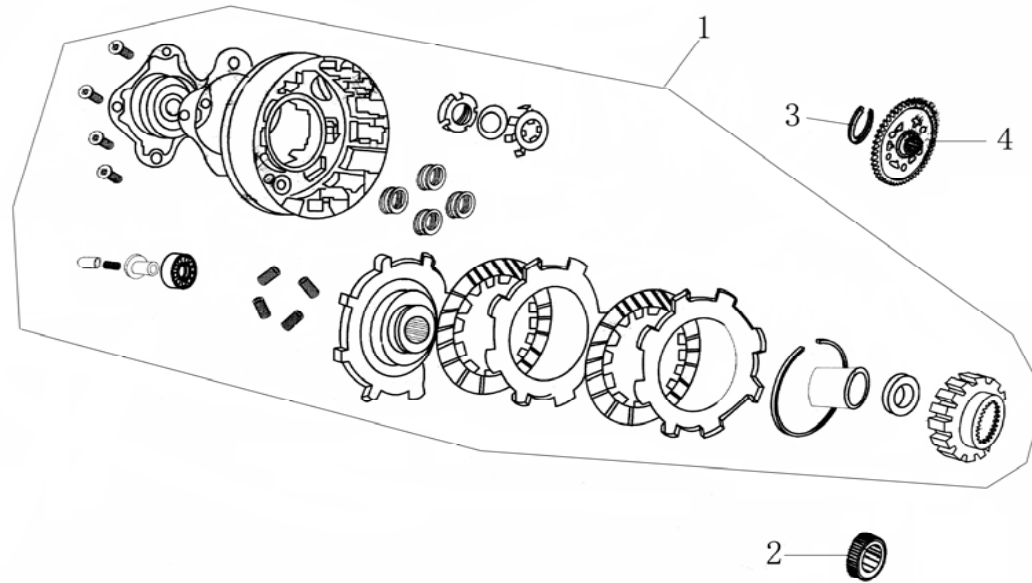
NO	Parts No	Description	Qty	Note
1	11310-FYBF-00B	cover,R crankcase ( black)	1	
	11300-FYBF-00A	cover,R crankcase (silver&gray))	1	
2	11393-FYBF-000	gasket,right crankcase cover	1	
3	11356-FYBF-000	adjusting cover,clutch	1	
4	11357-FYBF-000	gasket,adjusting cover of clutch	1	
5	15155-FYBF-000	Oil guage	1	
6	21421-FYBF-000	Camshaft Comp , clutch(chrom)	1	
7	21416-FYBF-000	camshaft spring,clutch	1	
8	21411-FYBF-000	camshaft dowel pin,clutch	1	
9	21448-FYBF-000	pressing plate,clutch	1	
10	21449-FYBF-000	locating plate,clutch	1	
11	GB/T16674.1-M6*100-F5J	hex flange boltM6*100	1	
12	90801-11021-004	oil seal 11*21*4	1	
13	90801-13024-005	oil seal 13.7*24*5	1	

## E-10 Right Crankcase Cover



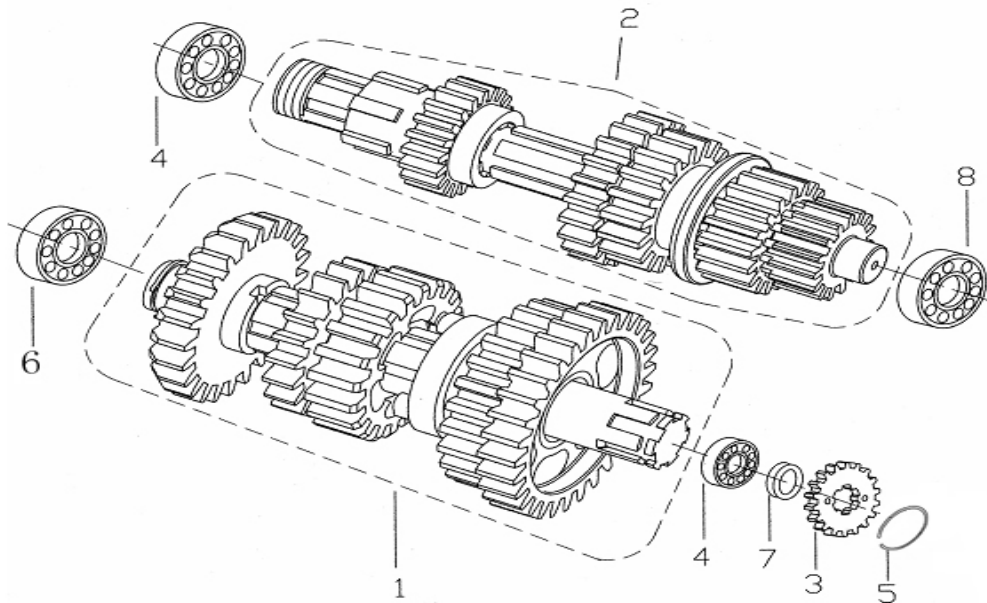
NO	Parts No	Description	Qty	Note
14	90701-14001-005	0-gasket14*1.5	1	
15	90701-18003-006	0-gasket18*3.6	1	
16	GB/T819.2-M6*16-A2G	Cross Head Screw6*16	1	
17	GB/T820-M5*12-A2F	Cross half Head Screw M5*12	2	
18	21451-FYBF-000	Camshaft comp,clutch	1	
19	90411-08012-000	Dowel Pin φ8*12	2	
20	90103-06040-00F5J	hex flange boltM6*40	5	
21	GB/T16674.1-M6*55-F5J	hex flange boltM6*55	1	
22	90103-06065-00F5J	hex flange boltM6*65	1	

E-11 Clutch



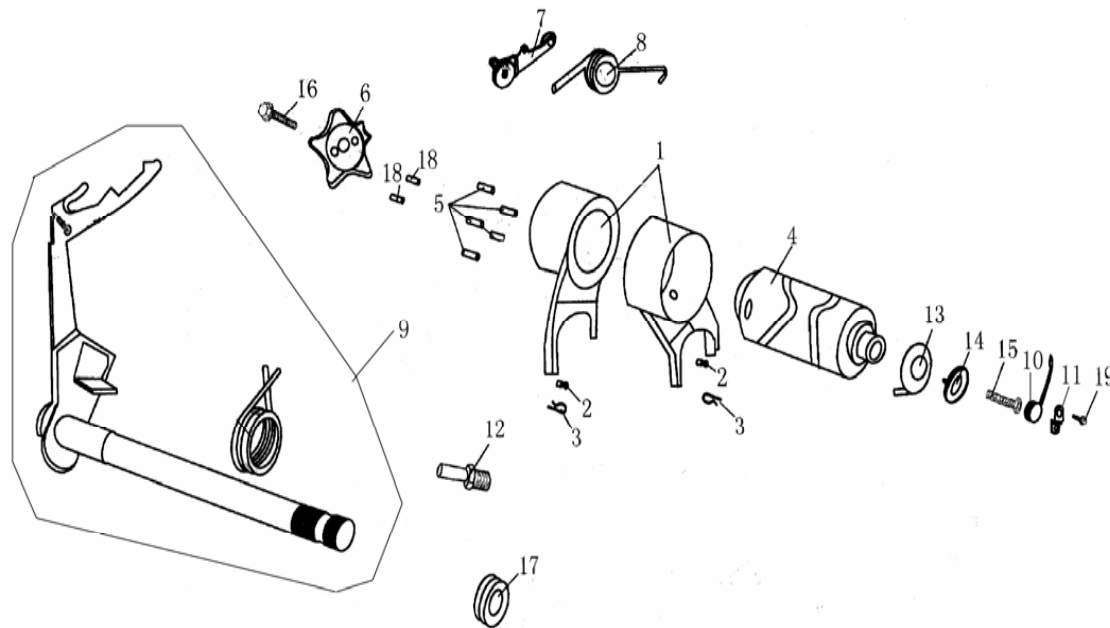
NO	Parts No	Description	Qty	Note
1	21000-FYBF-000	clutch assy	1	
2	21227-FYBF-000	drive gear	1	
3	GB894.1-86-15001	spring circlip15.5*1.2	1	
4	22226-FYBF-000	primary driven gear comp	1	

## E-12 Transmission



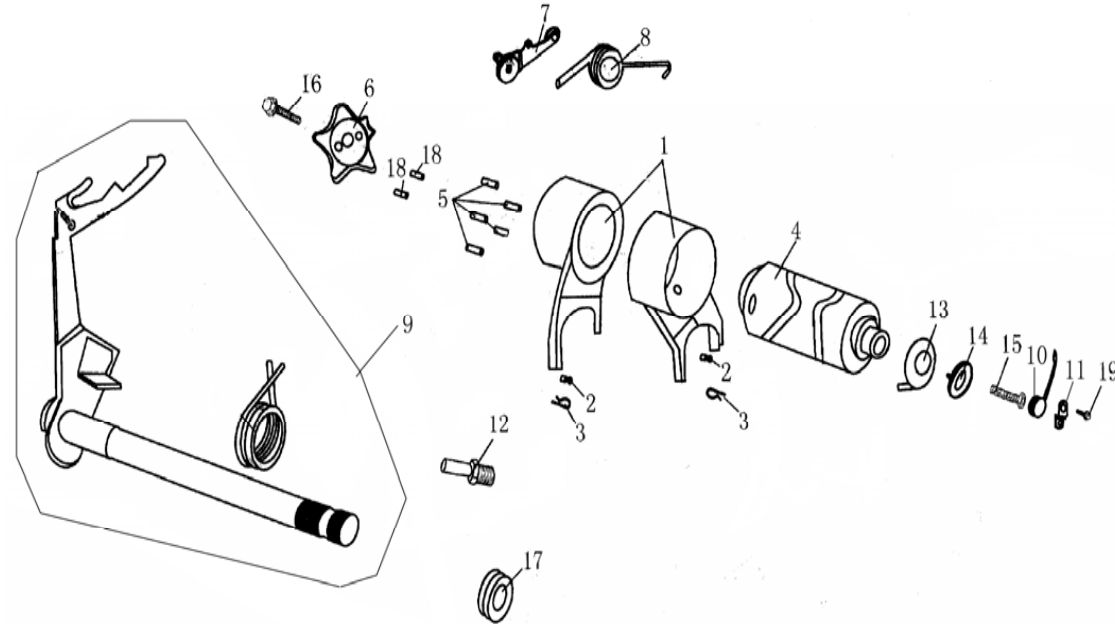
NO	Parts No	Description	Qty	Note
1	23600-FYBF-000	Sub Shaft comp	1	
2	23500-FYBF-000	main shaft comp	1	
3	23682-FYBF-000	Drive sprocket 11 gear	1	
4	GB/T276-94-6203	bearing6203	2	
5	GB894.1-86-15001	spring circlip15.5*1.2	1	
6	GB/T276-94-6201	bearing 6201	1	
7	90801-17029-005	oil seal 17*29*5	1	
8	GB/T276-94-6101	bearing 6101	1	

# E-13 Gearshift Drum



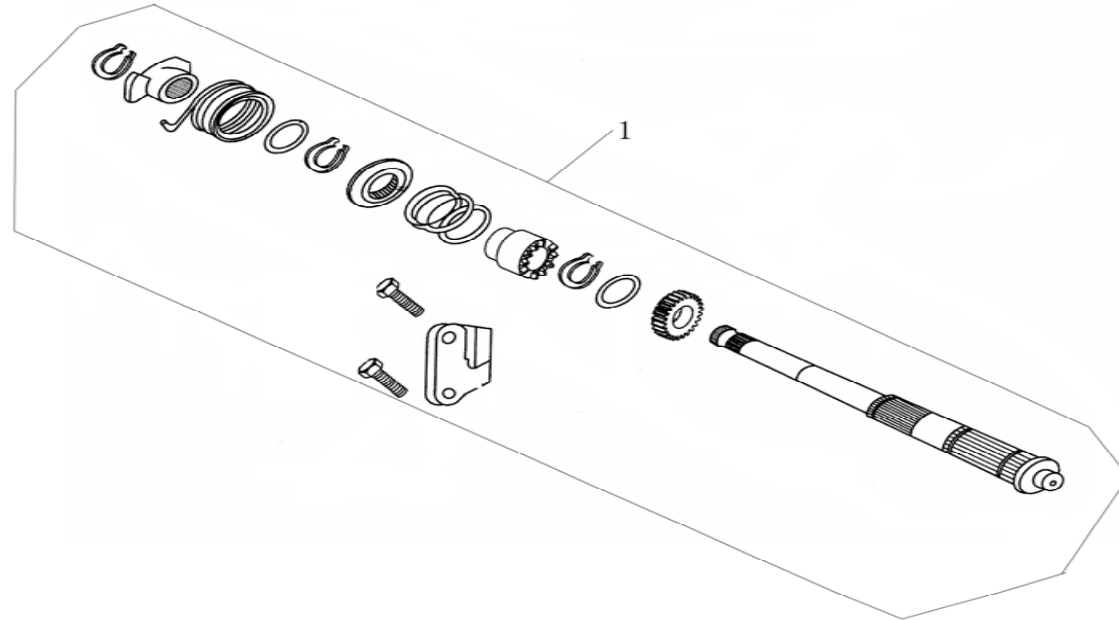
NO	Parts No	Description	Qty	Note
1	23740-FYBF-000	fork,gear	2	
2	23747-FYBF-000	fork,lead pin	2	
3	23748-FYBF-000	Spring Clip	2	
4	23701-FYBF-000	Shifting Drum	1	
5	23746-FYBF-000	Pin.Shifting Shaft	5	
6	23711-FYBF-000	Shifting camshaft	1	
7	23730-FYBF-000	limited plate assy,camshaft	1	
8	23731-FYBF-000	Return spring, locating plate	1	
9	23700-FYBF-000	shifting shaft assy	1	
10	31310-FYBF-000	connecting wire comp,gear put off switch	1	
11	31315-FYBF-000	switch,pressure plate	1	
12	23723-FYBF-000	locating bolt,return spring	1	
13	31322-FYBF-000	touch shim	1	
14	23718-FYBF-000	Slip Ring	1	

E-13 Gearshift Drum



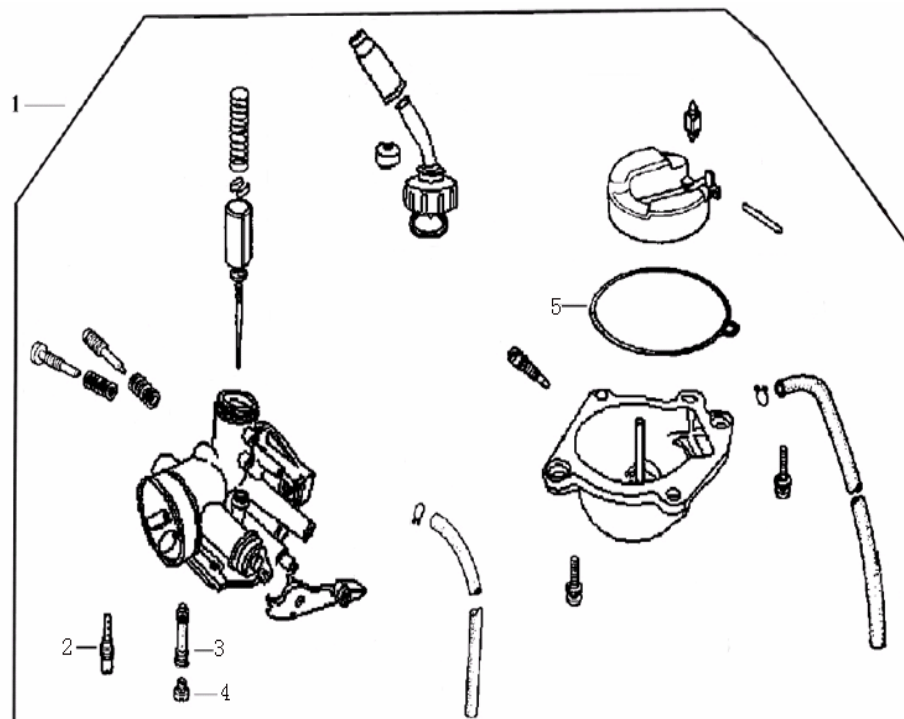
NO	Parts No	Description	Qty	Note
15	GB/T70.1-M6*16-A2G	inner hex boltM6*16	1	
16	23752-FYBF-000	Lock Bolt.Cam	1	
17	90801-11024-010	oil seal11.6*24*10	1	
18	23706-FYBF-000	Dowel Pin.Cam	2	
19	GB/T818-M6*12-A2F	Cross Head ScrewM6*12	1	

**E-14 Starting Shaft**



NO	Parts No	Description	Qty	Note
1	28100-FYBF-000	Starting shaft assy	1	

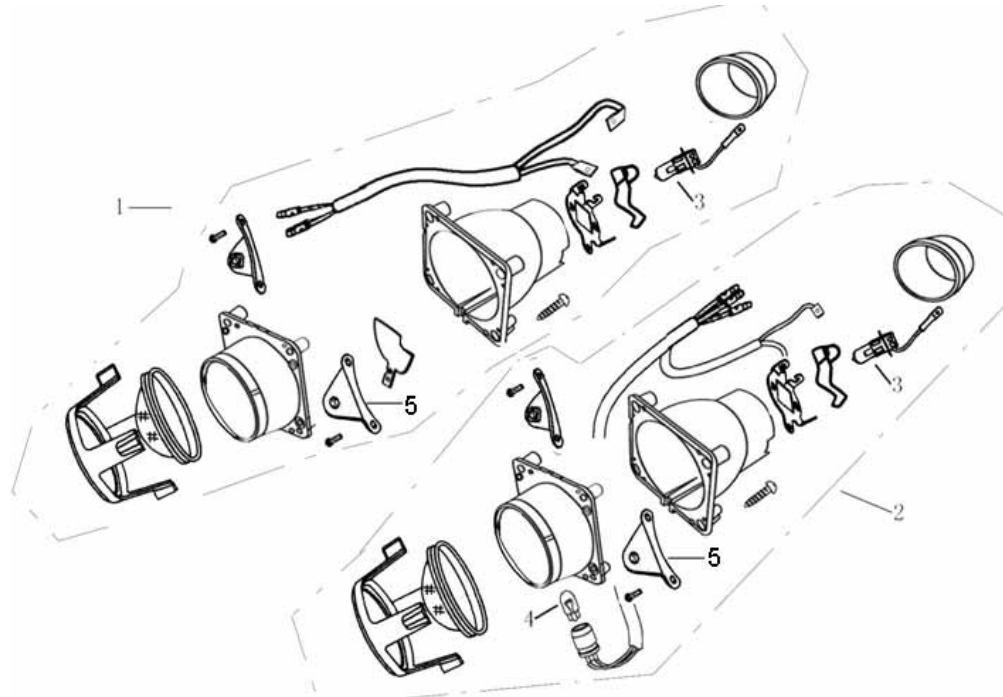
E-15 Caburator



NO	Parts No	Description	Qty	Note
1	16100-FYBQ-000	Carburetor Assy (50cc)	1	
2	16144-FYBQ-000	PILOT JET	1	
3	16135-FYBQ-000	NEEDLE JET	1	
4	16143-FYBQ-000	MAIN JET	1	
5	16163-FYBQ-000	SEAL FLOAT COVER	1	

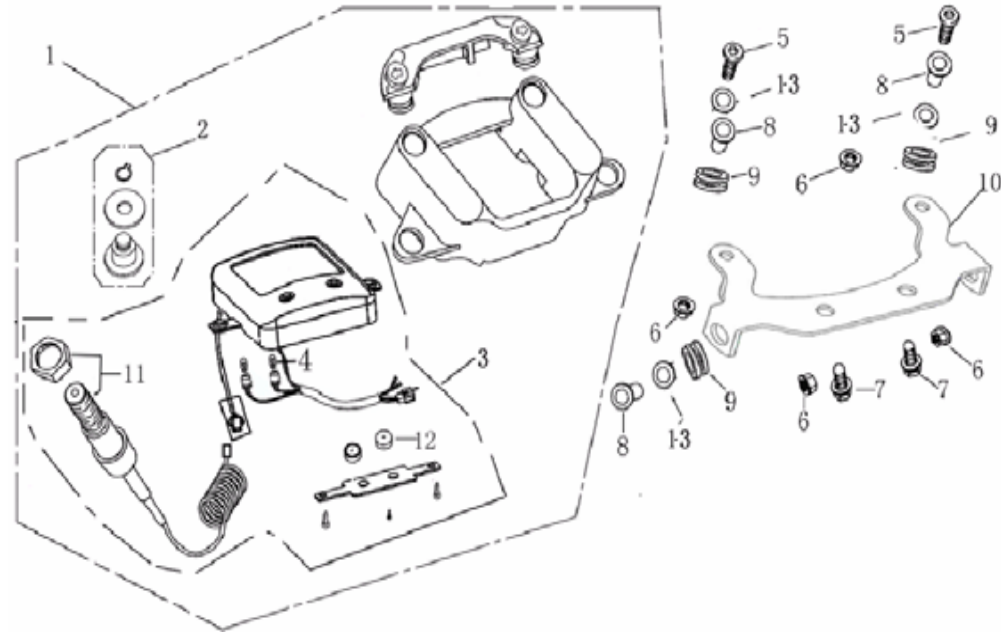


F-1 Headlamp Assy



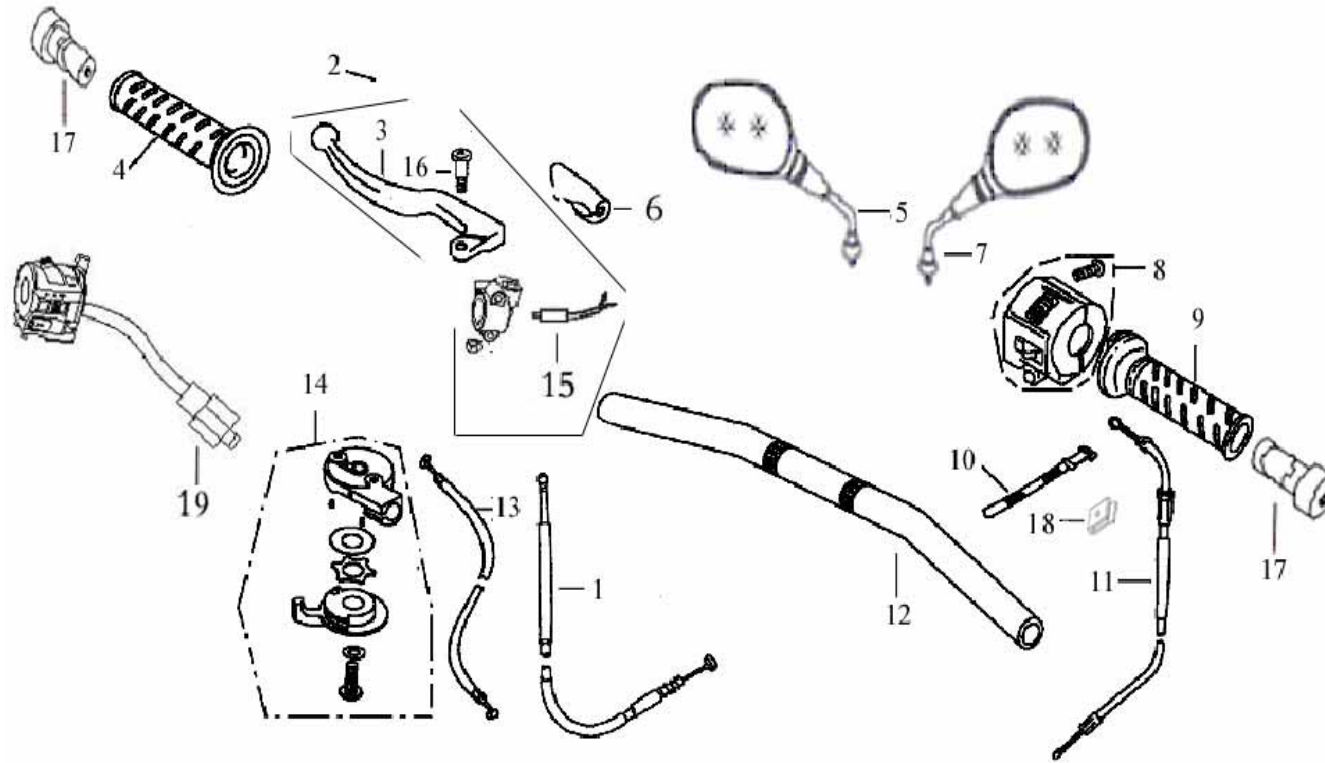
NO	Parts No	Description	Qty	Note
1	33110-FY20-000	Headlamp (Upper) DOT 55W/12V with position light	1	
2	33120-FY20-00L	Headlamp (Lower) E-mark 55W/12V	1	
3	33121-FY20-000	Bulb,Headlamp (55W/12V)	2	
4	33119-FYBQ-200	Bulb,Position light(5W/12V)	1	
5	33111-FY20-000	Holder,Headlamp	4	

F-2 Speedometer Assy



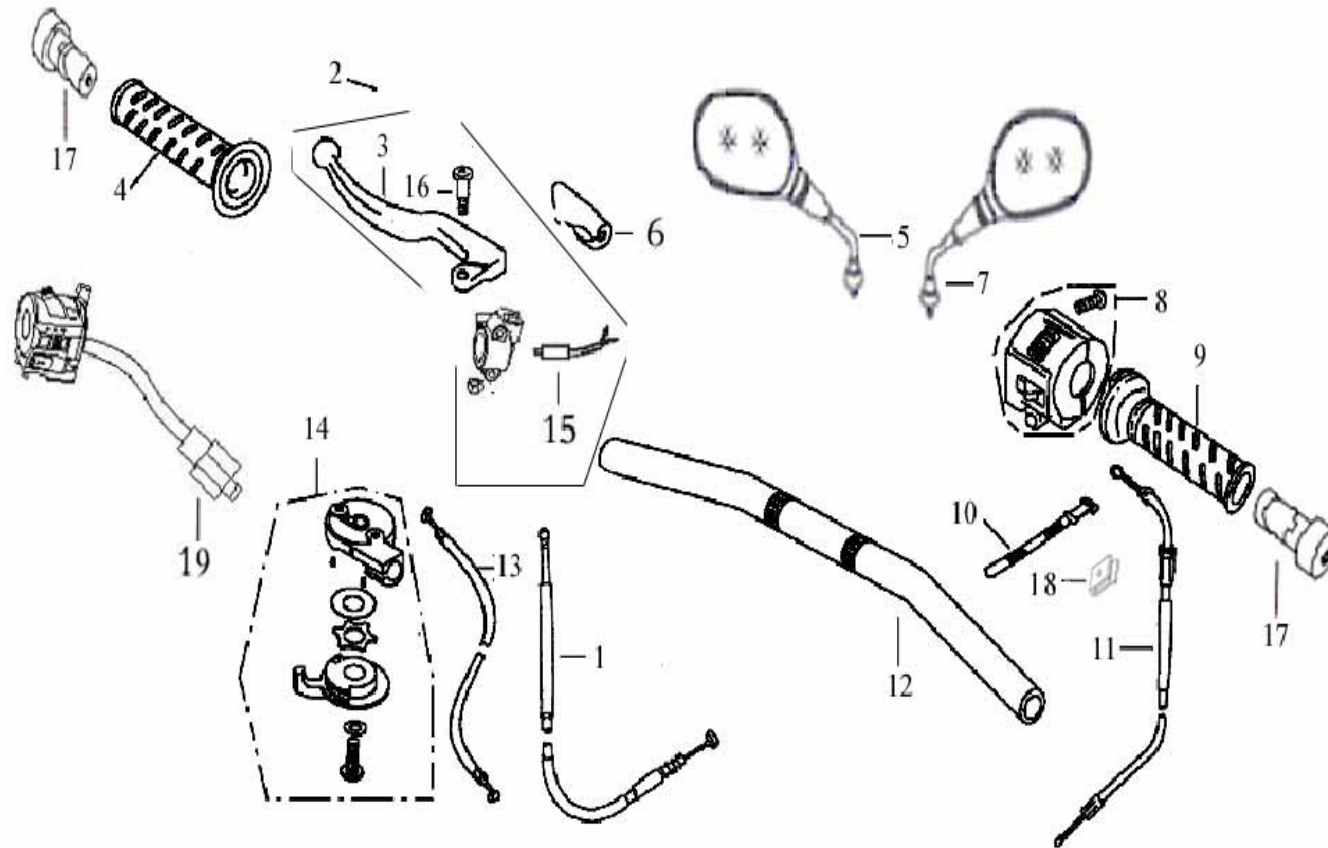
NO	Parts No	Description	Qty	Note
1	37200-FY20-000	Speedometer Assy	1	
2	37220-FYBQ-200	Magnet Comp	1	
3	37270-FY20-000	Electronic Speedometer	1	
4	37241-FYBQ-000	Bulb(12V/3W)	2	
5	90117-06022-10C	Inner Hexagon Bolt M6*22	2	
6	GB/T6187.1-M6-A2G	Lock nut M6	4	
7	GB/T9074.17-M8*16-A2G	Bolt with washer M8*16	2	
8	61122-FY-000	ring	3	
9	18293-FYBQ-000	Rubber Ring	3	
10	37210-FY20-000	Mounting Bracket,Meter	1	
11	37230-FYBQ-000	Influence Cable,Electronic Speedometer	1	
12	37232-FYBQ-000	Battery	2	
13	90304-FY8-000	Bush $\phi 8$	3	

F 3 Handle Bar



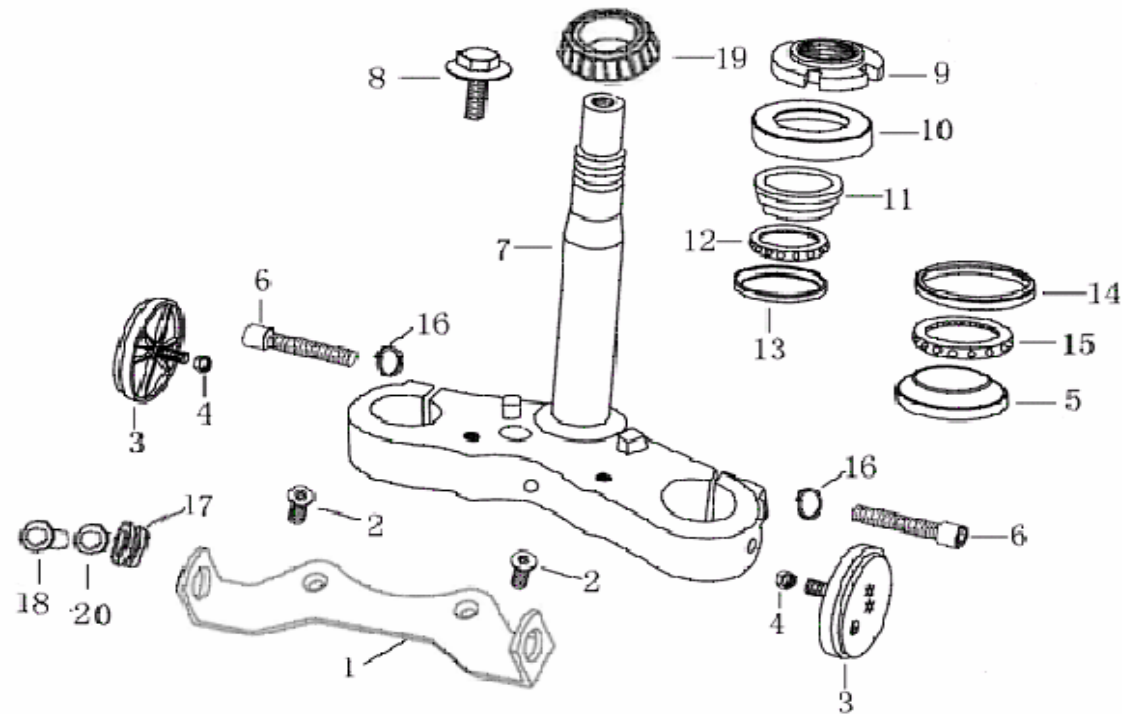
NO	Parts No	Description	Qty	Note
1	V090320-FYBQ-0000	Clutch Cable Comp	1	
2	53171-FYIJ-000	Clutch Lever comp	1	
3	53171-FYIJ-001	Clutch Lever	1	
4	53166-FYH-000	Rubber Sheath,Left Handlebar	1	
5	88110-FYBQ-000	Mirror (Left/Black)	1	
6	53173-FY5-000	Rubber Sheath,Left Clutch Handle	1	
7	88120-FYBQ-000	Mirror (Right/Black)	1	
8	35200-FY20-000	Handlebar Switch Assy (Right)	1	
9	53140-FYH-000	Throttle Turning Grip Comp	1	
10	91165-FYH-000	Band	2	

F 3 Handle Bar



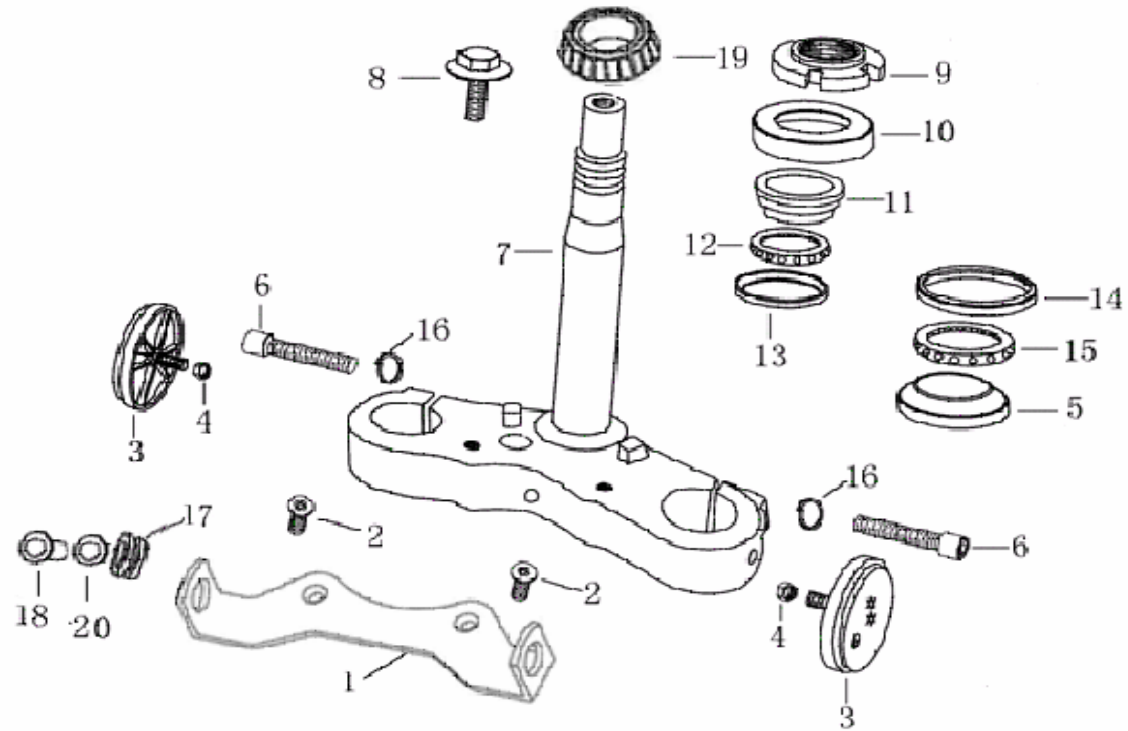
NO	Parts No	Description	Qty	Note
11	V090410-FYBQ-0000	Throttle Cable	1	
12	53101-FY20-000	Steering Bar(Dark Black)	1	
13	V090510-FYBQ-0000	Choke Calbe	1	
14	35220-FYBQ-000	Control Handle Comp,Choke Cable	1	
15	35210-FYBQ-000	Clutch Switch	1	
16	53171-FYIJ-002	Fixing Bolt,Clutch Handle	1	
17	53120-FYH-000	Blance Plate	2	
18	37252-FYIJ-000	spring clip.sension wire	3	
19	35100-FY20-000	Handle Bar Switch Assy( Lh)	1	

F-4 Lower Bridge



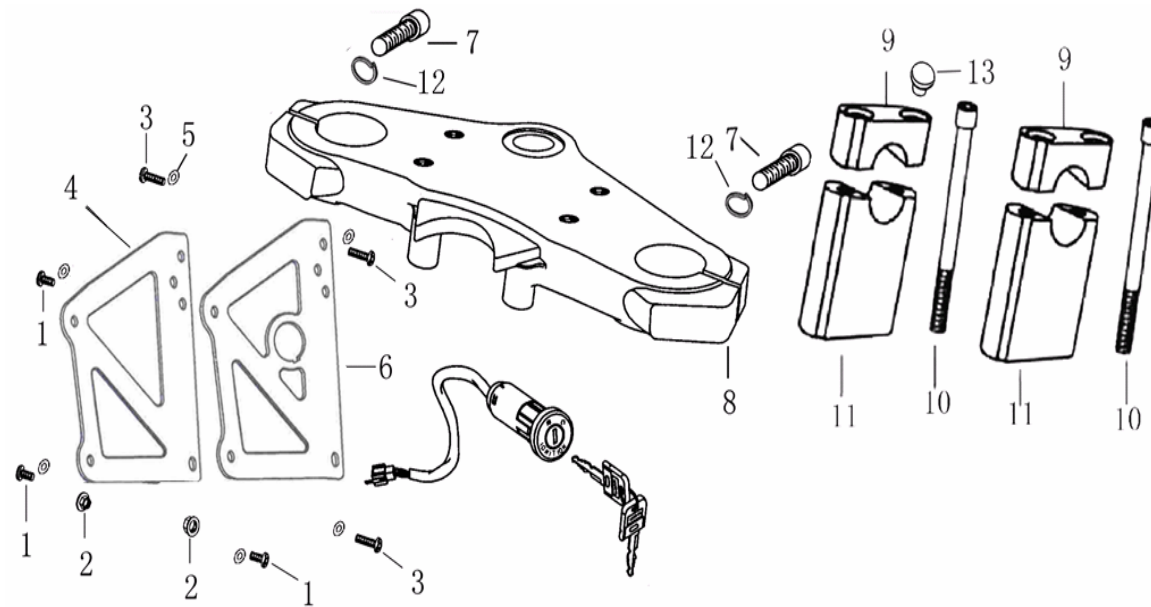
NO	Parts No	Description	Qty	Note
1	51640-FY20-000	Lower Bracket,Headlamp	1	
2	GB/T819.1-M6*20-A2G	Screw M6*20	2	
3	33750-FYT-000	Side Reflector	2	
4	GB/T6170-M6-A2G	Hexagon Nut M6	2	
5	53212-FYBQ-000	Lower Cone	1	
6	90117-10045-10C	Inner Hexagon Bolt M10*45	2	
7	53230-FY20-000	Steering Pole (With 32006X Bearing,washer)	1	
8	53222-FYBQ-000	Bolt	1	
9	53206-FYBQ-000	Locknut	1	
10	53218-FYBQ-000	Dustproof Cover	1	

F-4 Lower Bridge



NO	Parts No	Description	Qty	Note
11	53211-FYBQ-000	Uper Cone	1	
12	53220-FYBQ-000	Uper Steel Ball Assy	1	
13	53201-FYBQ-000	Uper Cone Race	1	
14	53202-FYBQ-000	Lower Cone Race	1	
15	53210-FYBQ-000	Lower Steel Ball Assy	1	
16	GB/T93-10-A2G	Spring Washer φ10	2	
17	18293-FYBQ-000	Bush φ6	1	
18	61122-FY-000	Rubber Ring	1	
19	32005-GB/T297-94	Ball bearing	1	
20	90304-FY8-000	Bush φ8	1	

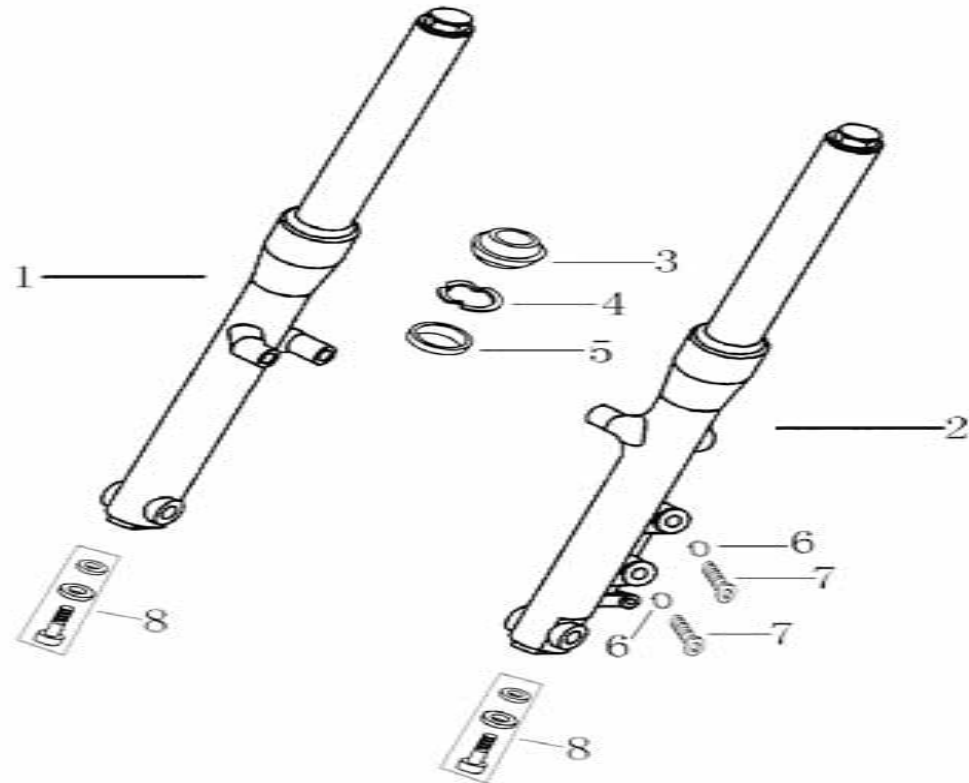
F-5 Upper Bridge



NO	Parts No	Description	Qty	Note
1	90614-FYBQ-00C	Inner Hexagon Bolt M6*14	4	
2	GB/T6187.1-M6-A2G	Nut	8	
3	90117-06022-10C	Inner Hexagon Bolt M6*22	4	
4	V181320-FYBQ-0000	Right Bracket,Headlamp	1	
5	GB/T95-6-A2G	Washer Φ6	8	
6	V181310-FYBQ-0000	Left Bracket,Headlamp	1	
7	90117-08032-10C	Inner Hexagon Bolt M8*32	2	
8	53231-FYBQ-00B	Upper Bridge	1	
9	53111-FYBQ-100	Upper Holder,Steering Bar	2	
10	90117-08105-10C	Inner Hexagon Bolt M8*105	4	
11	53112-FYBQ-100	Lower Holder,Steering Bar	2	
12	GB/T93-8-A2G	Spring Washer φ8	2	
13	53113-FYBQ-00B	Plastic Cap	4	



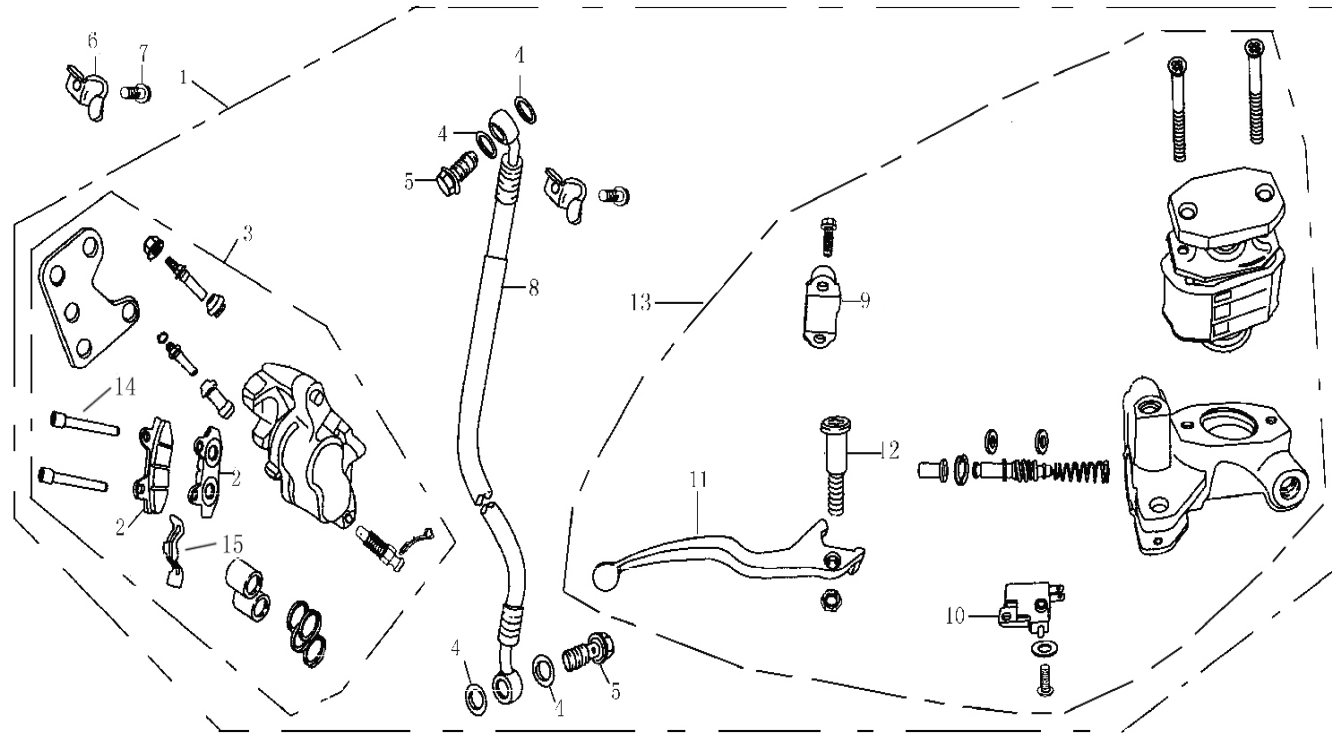
F-6 Front Shock Absorber Assy



NO	Parts No	Description	Qty	Note
1	51400-FY20-000	Front Shock Absorber Assy (Right)	1	
2	51500-FYBQ-000	Front Shock Absorber Assy (Left)	1	
3	51425-FYBQ-000	Dustproof Sheath,Shock Absorber	2	
4	90601-FYBQ-000	Check Ring	2	
5	51490-FYBQ-000	Seal Comp,Front Shock Absorber	2	
6	GB/T93-10-A2G	Spring Washerφ10	2	
7	90117-10030-X10C	Inner Hexagon Bolt M10*1.25*30	2	
8	51495-FYBQ-000	SPECIAL Bolt	2	

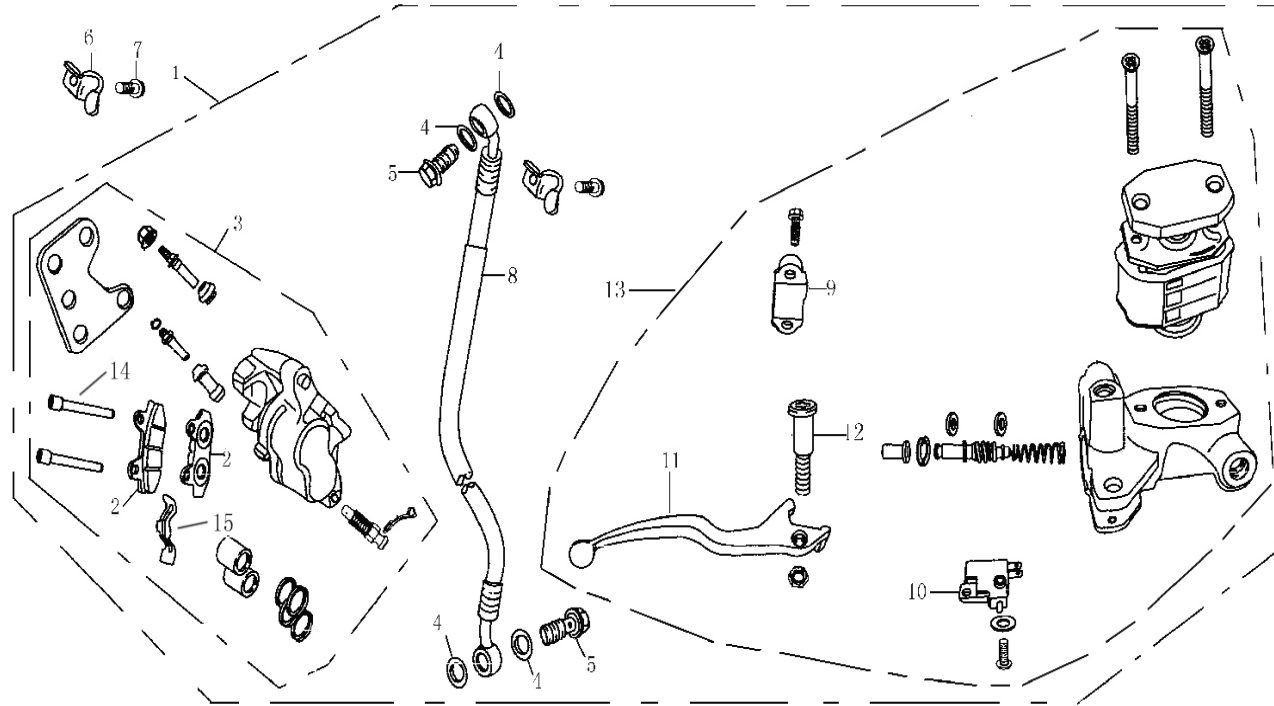


F-7 Front Disc Brake Assy



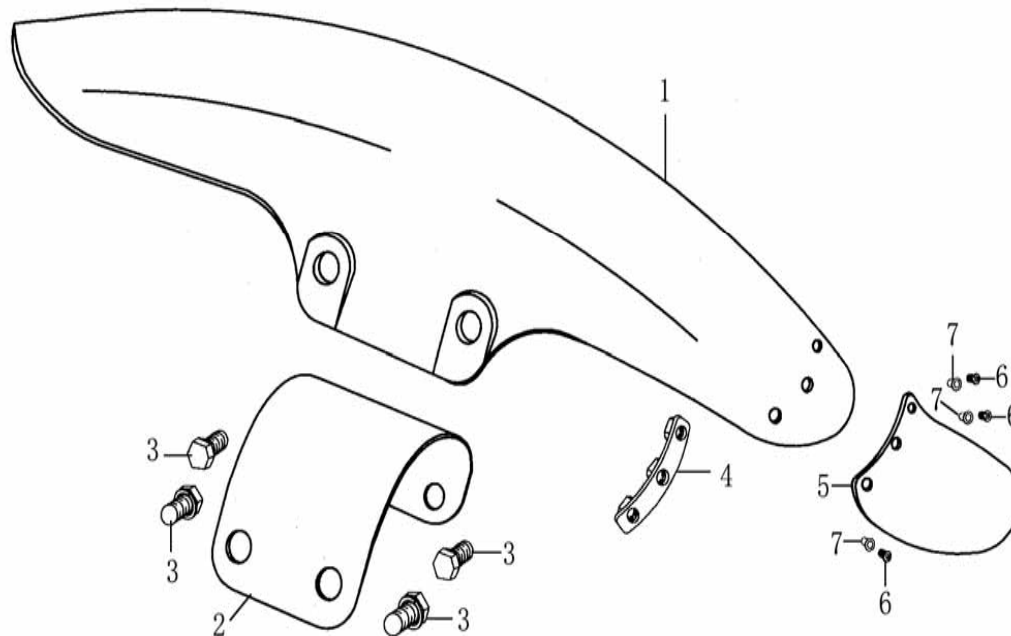
NO	Parts No	Description	Qty	Note
1	46000-FY20-00R	Front Disc Brake Assy (Red,)	1	
	46000-FY20-YGB	Front Disc Brake Assy (Black)	1	
2	46630-FYBQ-000	Disc Brake Shoe Comp	2	
3	46600-FYBQ-30R	Mounting Bracket(Red)	1	
	46600-FYBQ-3YGB	Mounting Bracket(Black)	1	
4	46016-FYBQ-000	Washer	4	
5	46015-FYBQ-000	Bolt With Hole	2	
6	46125-FYBQ-000	Grip,Disc Brake Tube	1	
7	GB/T9074.17-M6*12-A2G	Combination Bolt M6*12	1	
8	46300-FYBQ-300	Disc Brake Tube Assy	1	

F-7 Front Disc Brake Assy



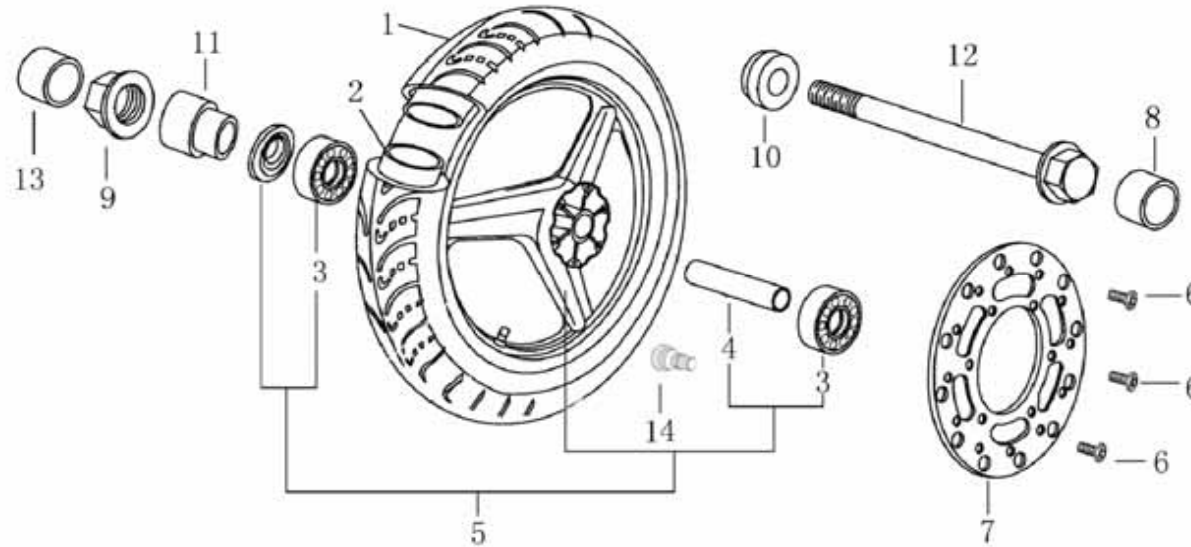
NO	Parts No	Description	Qty	Note
9	46127-FYBQ-000	Fixing Block	1	
10	46210-FYBQ-000	Front Brake Switch Assy	1	
11	46128-FYBQ-000	Front Brake Handle	1	
12	46126-FYBQ-000	Fixing Bolt,Front Brake Handle	1	
13	46100-FYBQ-000	Master Cylinder,Disc Brake	1	
14	46629-FYBQ-000	Bolt,Brake Pad	2	
15	46636-FYBQ-000	Plate Stretch	1	

F-8 Front Fender



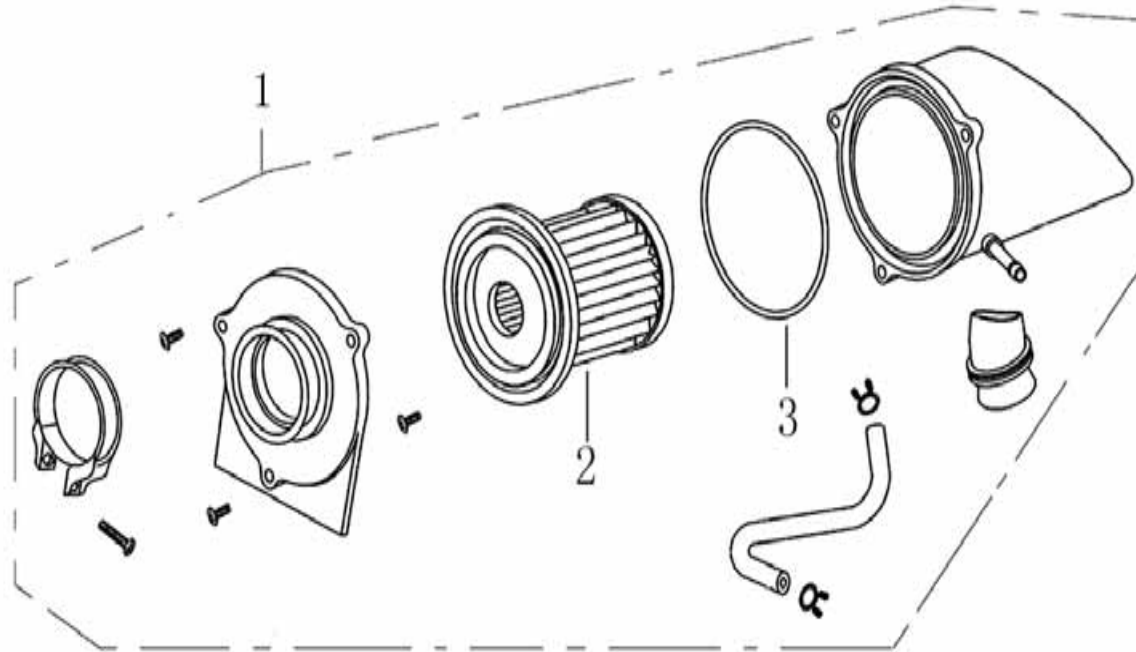
NO	Parts No	Description	Qty	Note
1	61100-FYBQ-00Y	Front Fender(yellow)	1	
	61100-FYBQ-0GR	Front Fender(Grey)	1	
	61100-FYBQ-YGB	Front Fender(Black)	1	
2	61101-FYBQ-000	Bracke of Front Fender	1	
3	GB/T5783-M8*12-A2G	Combination Bolt M8*12	4	
4	61138-FY10-000	Bracket of Front Flashing	1	
5	61135-FYBQ-000	Front Flashing	1	
6	GB/T818-M5*10-A2F	Pan Bolt M5*10	3	
7	61122-FY-000	Ringer	3	

F-9 Front Wheel



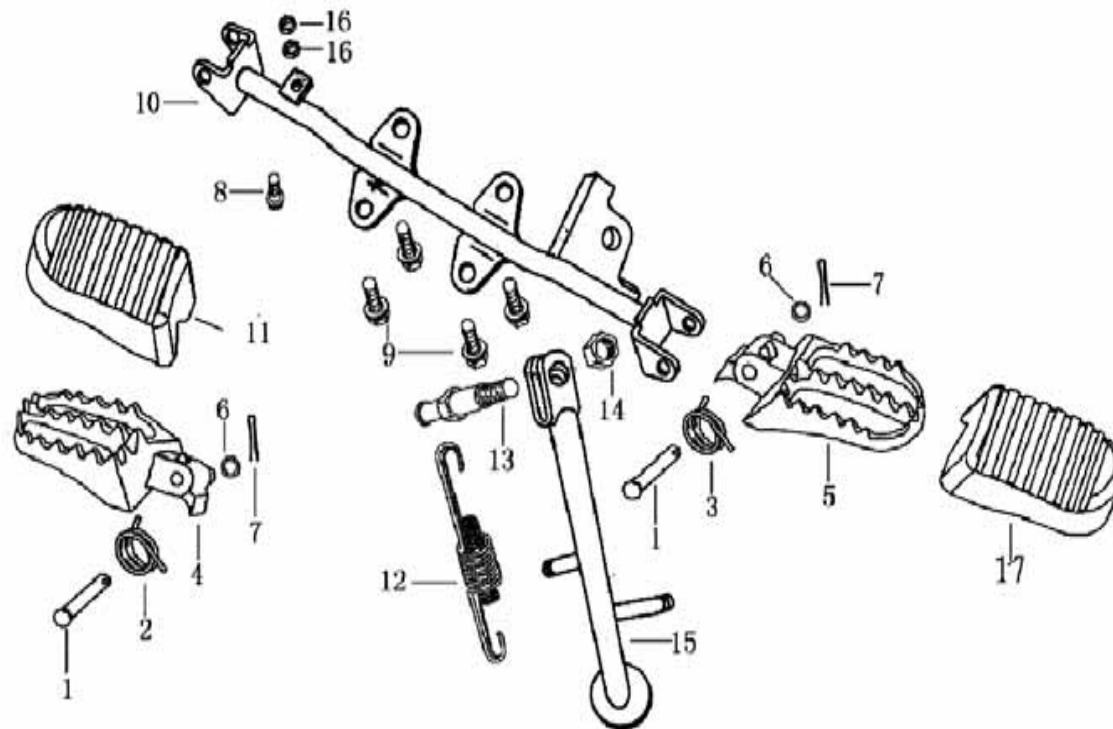
NO	Parts No	Description	Qty	Note
1&2	V171030-FY20-0000	Tire(Tubeless,90/80-16),Front Wheel	1	
3	6202 - 2RS-GB/T276-94	Bearing 6202-2RS	2	
4	42758-FYBQ-000	Bearing Spacer,Front Wheel	1	
5	V171100-FY20-0GR02	Front Rim Assy (Gray)	1	
	V171100-FY20-0B03	Front Rim Assy (Black, silver side)	1	
	V171100-FY20-1B03	Front Rim Assy (Black)	1	
6	45361-FY20-000	Bolt M8*20	6	
7	46001-FY20-000	Front Brake Disk	1	
8	44303-FY3A-000	Left Rubber Sheath,Front Axle	1	
9	GB6187-86-14000X-C	Lock Nut M14	1	
10	44311-FYBQ-000	Left Bush,Front Wheel	1	
11	44312-FYBQ-000	Right Bush,Front Wheel	1	
12	44310-FY20-000	Front Axle(with Nut)	1	
13	44302-FY11A-000	Right Rubber Sheath,Front Axle	1	
14	42753-FY8-000		1	

F-10 Air Filter Assy



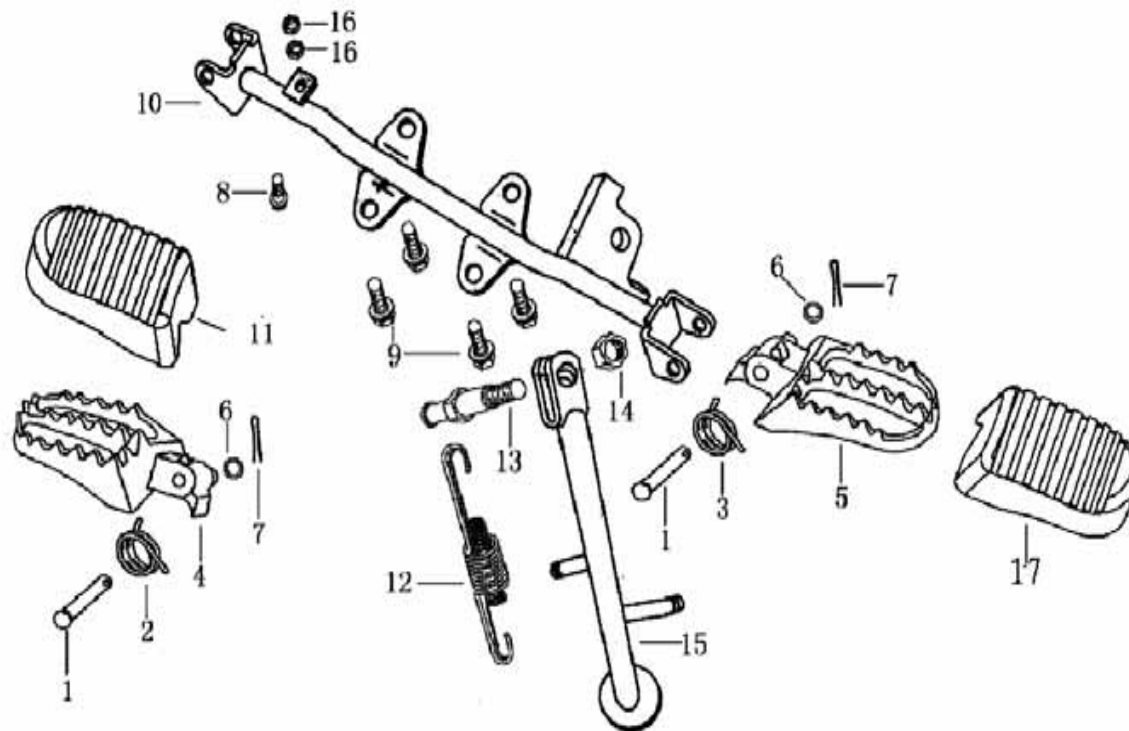
NO	Parts No	Description	Qty	Note
1	17200-FYBQ-000	Air Filter Assy	1	
2	17220-FYBQ-000	Filter Element Comp(with seal ring)	1	
3	17223-FYBQ-000	Seal Washer 2,Air Filter	1	

F-11 Footrest



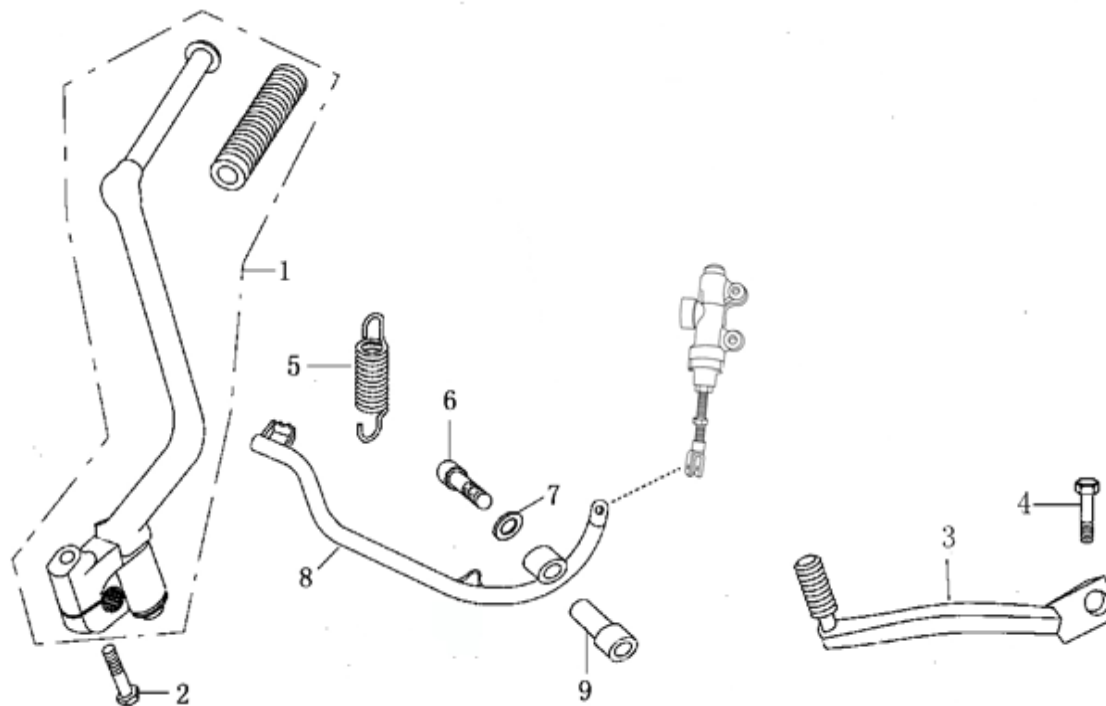
NO	Parts No	Description	Qty	Note
1	50713-FYBQ-000	Front Pedal Pin	2	
2	50712-FYBQ-000	Front Pedal Spring (Right)	1	
3	50711-FYBQ-000	Front Pedal Spring (Left)	1	
4	50620-FYBQ-YGB	Front Pedal ( Right.Black)	1	
5	50610-FYBQ-YGB	Front Pedal ( Left.Black)	1	
6	GB/T95-8-A2G	Flat Washer 8	2	
7	GB/T91-2*20-A2G	Cotter Pin $\phi 2.0 \times 2.0$	2	
8	GB/T5783-M6*20-A2G	Hexagon Bolt M6*20	1	
9	GB/T70.1-HM8*30-A2F	Combination Bolt M8*30	4	
10	50640-FY20-1YGB	Footrest Holder (Black)	1	

F-11 Footrest



NO	Parts No	Description	Qty	Note
11	50662-FYBQ-000	Rubber,Front Footrest(right)	1	
12	95015-FYBQ-300	Side Stand Spring (Double)	1	
13	90120-FYT3A-000	Side Stand Bolt	1	
14	GB/T6171-M10*1.25-A2G	Hexagon NutM10*1.25	1	
15	50530-FYBQ-1YGB	Side Stand (Dark Black)	1	
16	GB/T6170-M6-A2G	Hexagon Nut M6	2	
17	50661-FYBQ-000	Rubber,Front Footrest (left)	1	

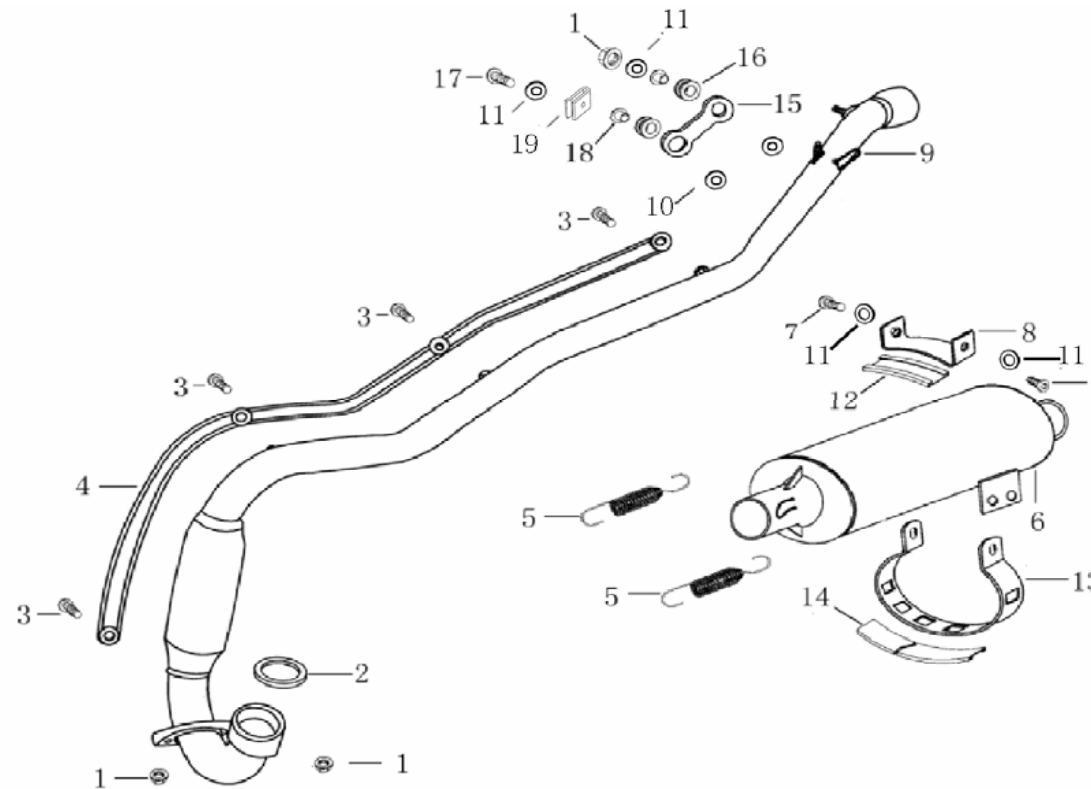
F-12 Rear Brake Pedal



NO	Parts No	Description	Qty	Note
1	28300-FYBQ-000	Starting Lever Assy	1	
2	GB/T5783-M8*40-A2F	Hexagon Bolt M8*40	1	
3	23400-FYBQ-000	Change Lever	1	
4	GB/T5783-M6*20-A2F	Hexagon Bolt M6*20	1	
5	43410-FYBQ-000	Rear Brake Pedal Spring	1	
6	90117-08065-10C	Inner Hexagon Bolt M8*65	1	
7	GB/T96.1-8-A2G	Flat Washer	1	
8	43400-FYBQ-1YGB	Rear Brake Pedal(new)	1	
9	43401-FYBQ-000	Bush,Rear Brake Pedal	1	

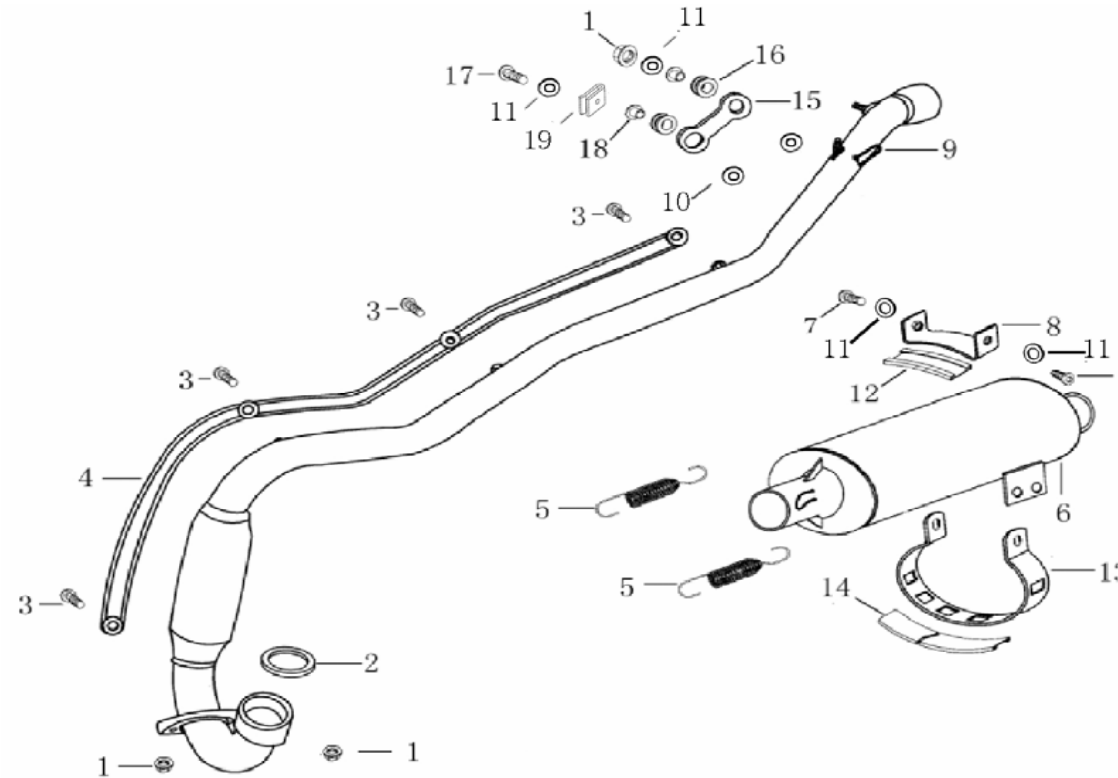


## F-13 Exhaust Pipe



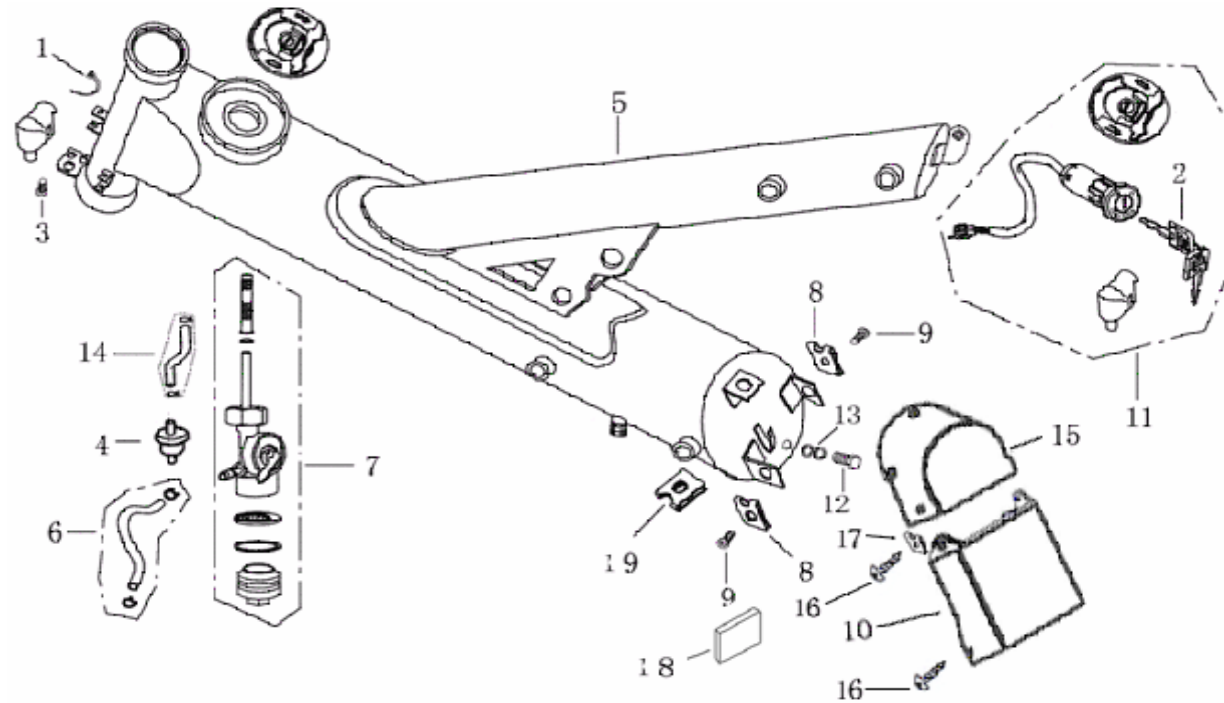
NO	Parts No	Description	Qty	Note
1	GB/T6187.1-M6-A2G	Lock Nut M6	3	
2	18292-FYG-000	Seal Gasket,Exhaust Pipe	1	
3	90608-FYBQ-00C	Inner Hexagon Bolt M6×8	4	
4	V072120-FYBQ-0000	Protecting Plate,Exhaust Pipe	1	
5	18222-FYBQ-000	Spring,Exhaust Pipe	2	
6	18220-FYBQ-3YGB	Rearward,Muffler(Accelerant,Black)	1	
7	90117-06022-10C	Inner Hexagon Bolt M6×22	2	
8	84813-FYBQ-000	Mounting Bracket	1	
9	18210-FYBQ-3YGB	Exhaust Pipe	1	
10	GB/T96.1-6-A2G	Flat Washer φ6	2	

## F-13 Exhaust Pipe



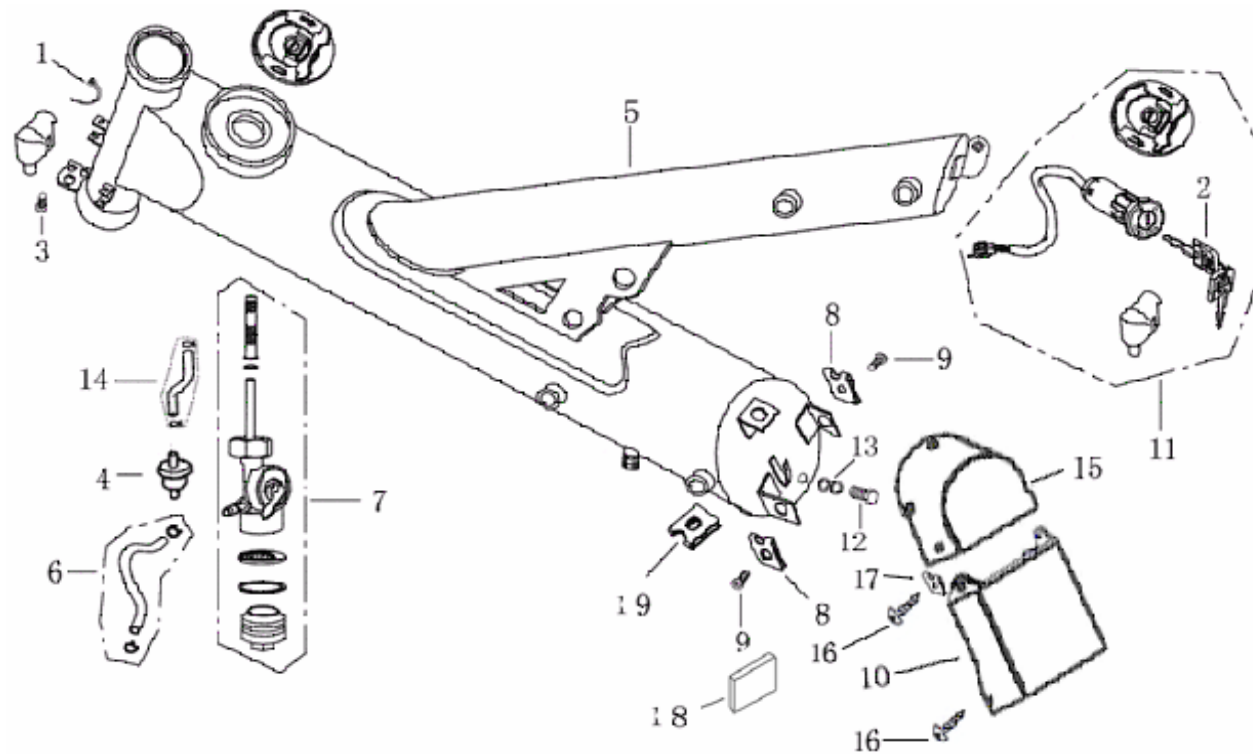
NO	Parts No	Description	Qty	Note
11	GB/T95-6-A2G	Flat Washer $\phi 6$	4	
12	18224-FYBQ-000	Rubber	1	
13	18225-FYBQ-000	exhaust pipe clamp	1	
14	18224-FY20-000	Rubber	1	
15	18213-FYBQ-100	Connector Pad,Exhaust Pipe	1	
16	18293-FYBQ-000	Rubber	2	
17	GB/T16674.1-M6*20-A2G	Flange Bolt M6×20	1	
18	61122-FY-000	Large Washer 6	2	
19	90220-06000-K	Lock Nut M6	1	

# F-14 Frame Assy



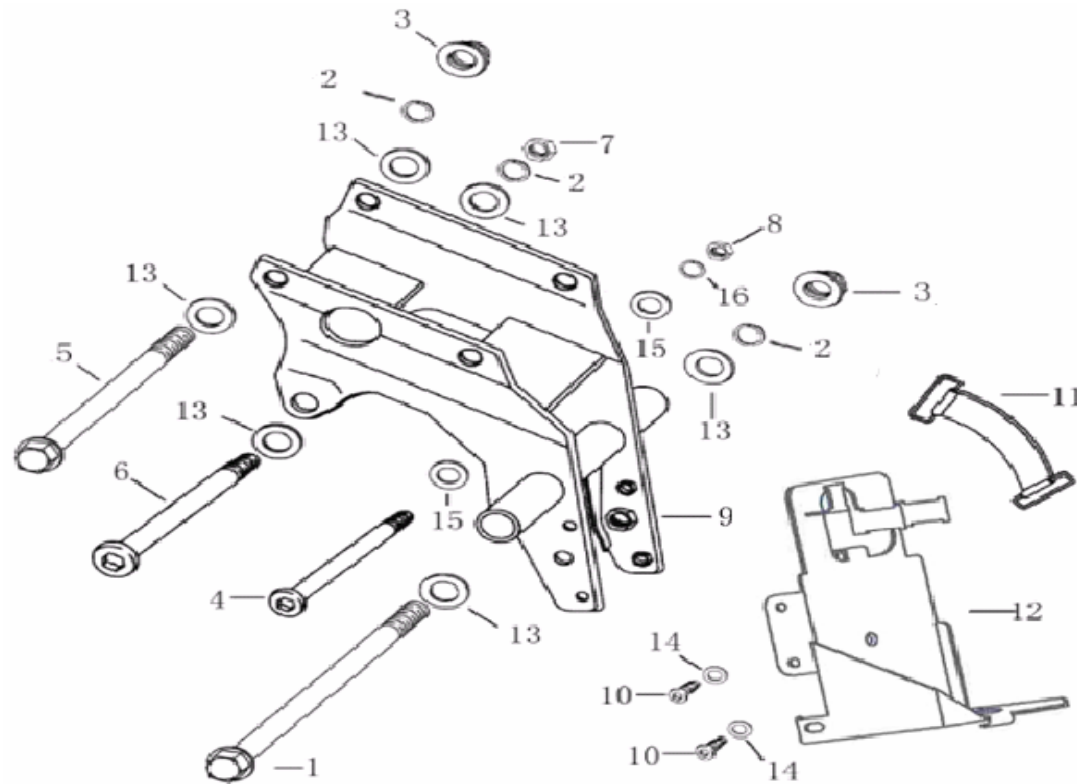
NO	Parts No	Description	Qty	Note
1	91165-FYBQ-000	Band	19	
2	35001-FYBQ-000	Key	1	
3	GB/T819.1-M5*14-A2G	Screw M5*14	2	
4	16910-FYT3A-000	Gas Filter	1	
5	V011000-FYBQ-0GR02	Frame (Gray)	1	
	V011000-FYBQ-1B04	Frame (Black)	1	
	V011000-FYBQ-0Y01	Frame (Yellow)	1	
6	91100-FYBQ-160	Oil Tube(160mm)	1	
7	16950-FY20-000	Cock Switch	1	
8	90220-06000-00C	Clip Nut M6	2	
9	90111-06014-C	Step Bolt M6×14	3	
10	31512-FY20-000	Battery cover (lower)	1	

F-14 Frame Assy



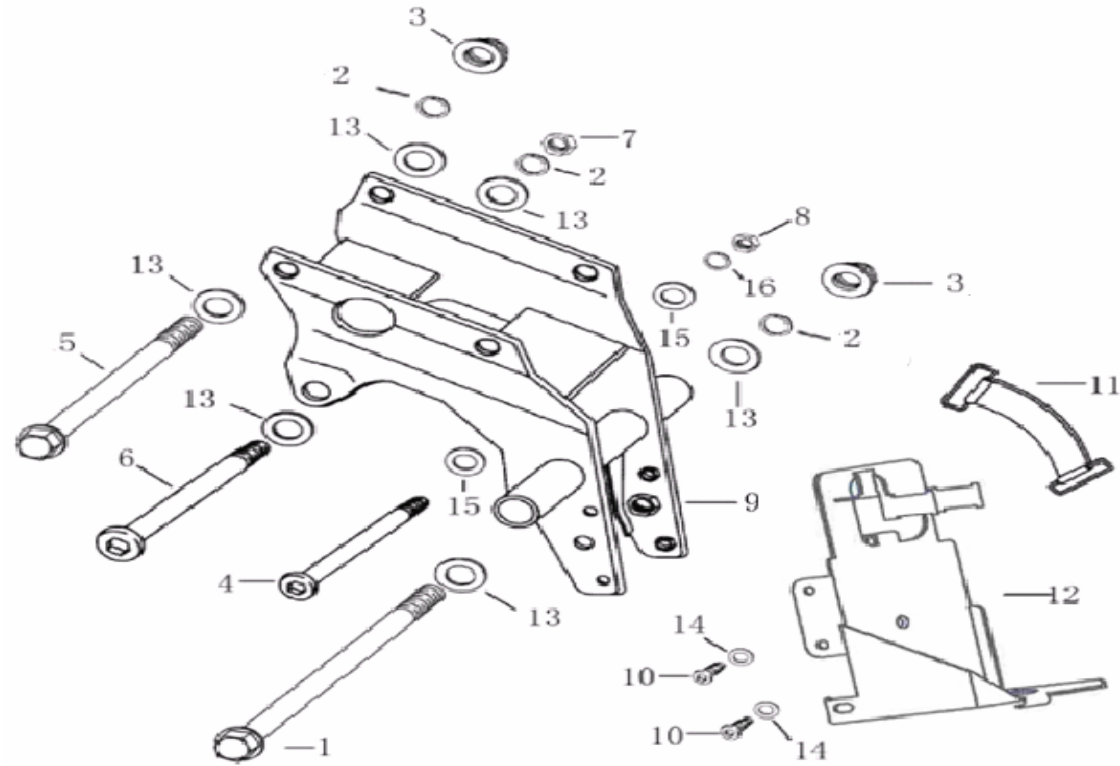
NO	Parts No	Description	Qty	Note
11	V251000-FY20-0B03	Lock Set(Red)	1	
	V251000-FY20-0R00	Lock Set(Black)	1	
12	GB/T5783-M6*8-A2G	Hexagon Bolt M6×8	1	
13	16951-FYBQ-000	Seal Washer	2	
14	91100-FYBQ-060	Oil Tube(60mm)	1	
15	31511-FY20-000	Battery cover (upper)	1	
16	GB/T845-ST4.8*16-A3H	Tapping Serew 4.8*16	4	
17	90183-05807-00	Clip Nut	4	
18	2GL-F139X-0000	Inside Rubber for Lower Battery Cover	1	
19	90220-06000-K	Clip Nut M6	1	

# F-15 Engine Holder



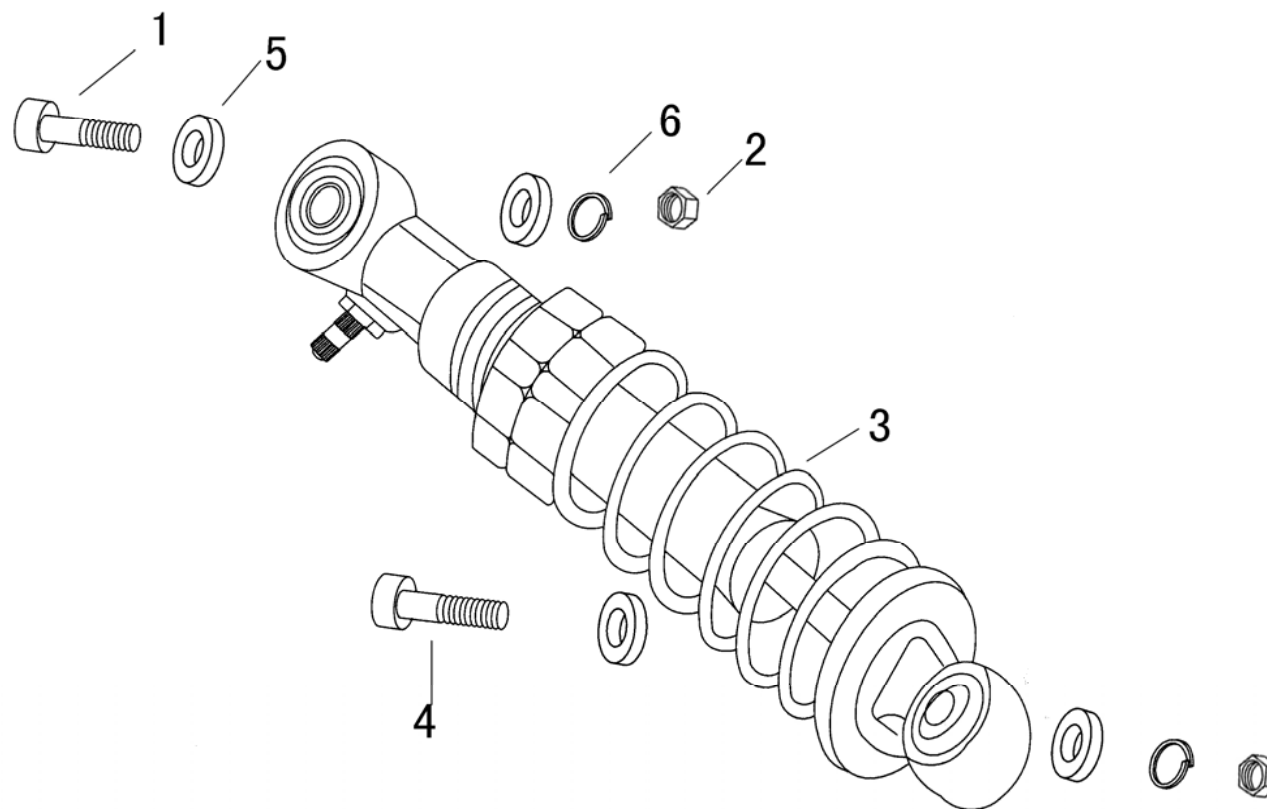
NO	Parts No	Description	Qty	Note
1	52110-FYBQ-000	Axle,Rear Swing Arm M10×1.25×265	1	
2	GB/T93-10-A2G	Spring Washer Φ10	3	
3	GB/T6171-M10*1.25-A2G	Lock Nut M10×1.25	2	
4	90117-08105-10C	Inner Hexagon Bolt M8×105	1	
5	GB/T16674.2-M10*1.25*160-A2G	Flange Bolt M10×1.25×160	2	
6	90117-10118-X10C	Inner Hexagon Bolt M10×115×1.25	1	
7	GB/T6187.2-M10*1.25-A2F	Hexagon Nut M10×1.25	1	
8	GB/T6187.1-M8-A2G	Hexagon Nut M8	1	
9	V146100-FYBQ-0B04	Hanger,Engine	1	
10	90612-FYBQ-00C	Inner Hexagon Bolt M6×12	4	

F-15 Engine Holder



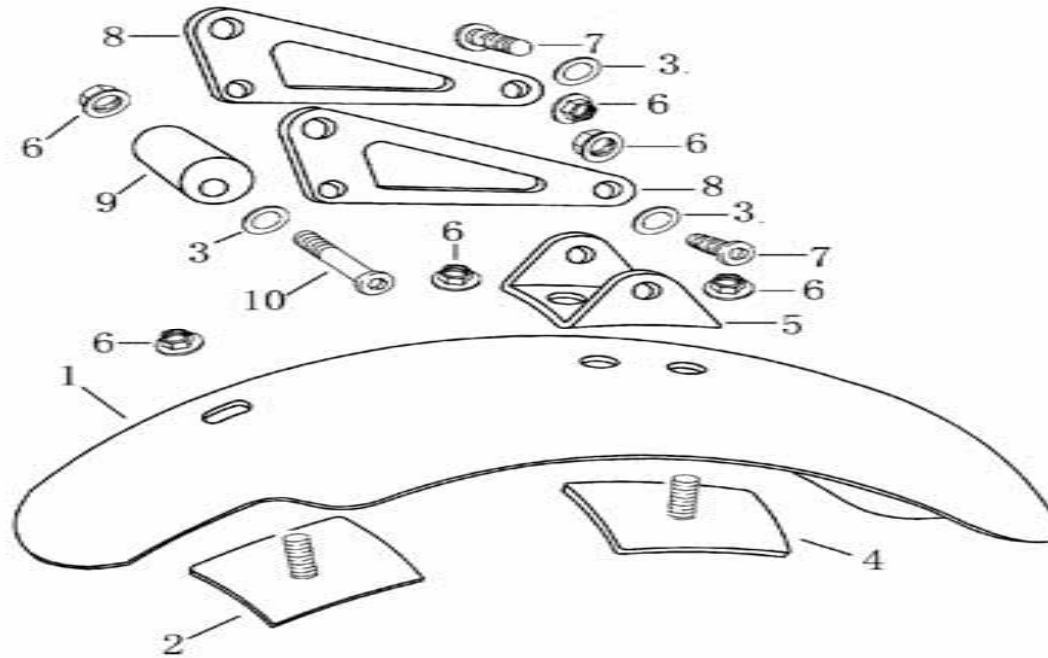
NO	Parts No	Description	Qty	Note
11	95012-FY-000	Band,Battery	1	
12	31510-FY20-000	Box,Battery	1	
13	GB/T95-10-A2G	Flat WasherΦ10	6	
14	GB/T95-6-A2G	Flat WasherΦ6	4	
15	GB/T95-8-A2G	Flat WasherΦ8	2	
16	GB/T93-8-A2G	Spring Washer Φ8	1	

F-16 Rear Shock Absorber Assy



NO	Parts No	Description	Qty	Note
1	90117-10045-X10C	Bolt M10*45*1.25	1	
2	GB/T6171-M10*1.25-A2G	Hexagon Nut M10*1.25	2	
3	52400-FY20-00R	Rear Shock Absorber Assy (RED)	1	
	52400-FY20-YGB	Rear Shock Absorber Assy (BLACK)	1	
4	90117-10050-X10C	Bolt M10*50*1.25	1	
5	GB/T95-10-A2G	Flat Washer φ10	4	
6	GB/T93-10-A2G	Spring Washer φ10	2	

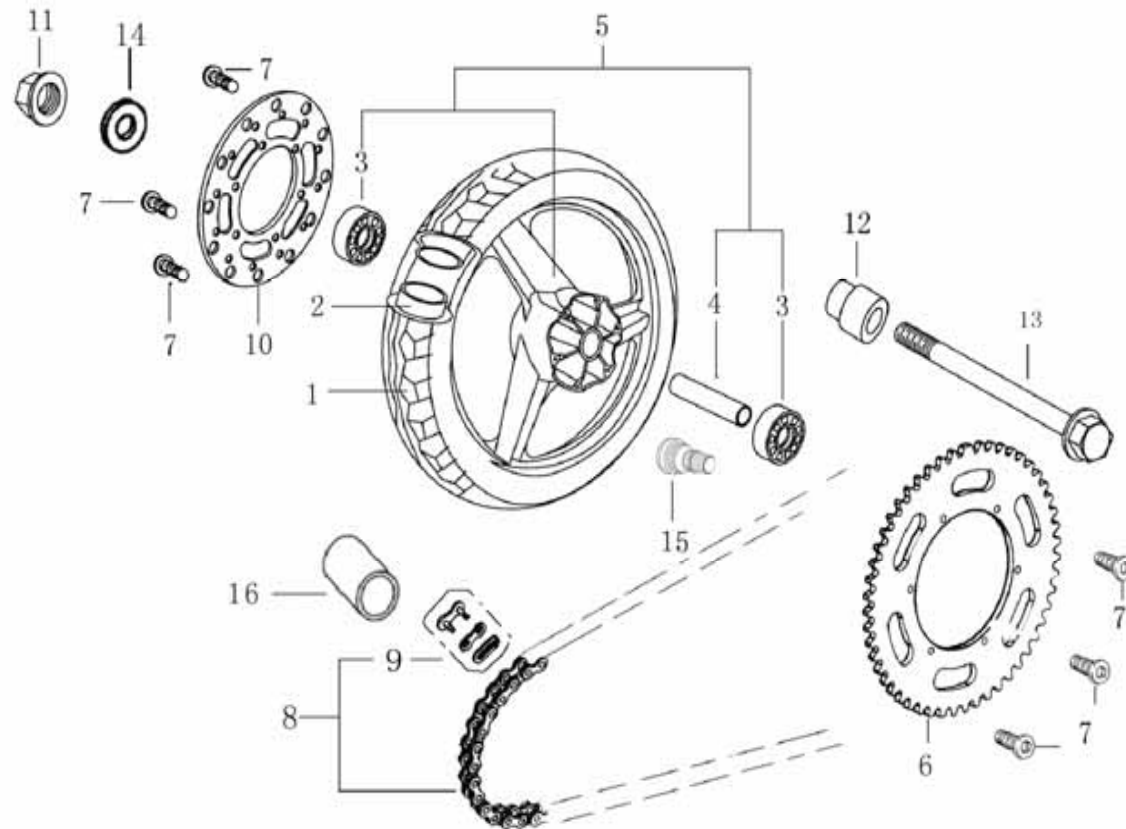
F-17 Rear Fender



NO	Parts No	Description	Qty	Note
1	80110-FYBQ-00Y	Rear Fender (Yellow)	1	
	80110-FYBQ-YGB	Rear Fender (black)	1	
	80110-FYBQ-0GR	Rear Fender (Grey)	1	
2	80115-FYBQ-000	Bracket A,Rear Fender	1	
3	GB/T95-6-A2G	Flat Washer Φ6	3	
4	80116-FYBQ-000	Bracket B,Rear Fender	1	
5	80112-FYBQ-000	Mounting Bracket,Rear Fender	1	
6	GB/T6187.1-M6-A2G	Lock Nut M6	6	
7	90616-FYBQ-00C	Inner Hexagon Bolt M6×16	2	
8	80114-FYBQ-000	Mounting Plate,Rear Fender	2	
9	80113-FYBQ-000	Mounting Bush,Rear Fender	1	
10	90117-06045-10C	Inner Hexagon Bolt M6×45	1	

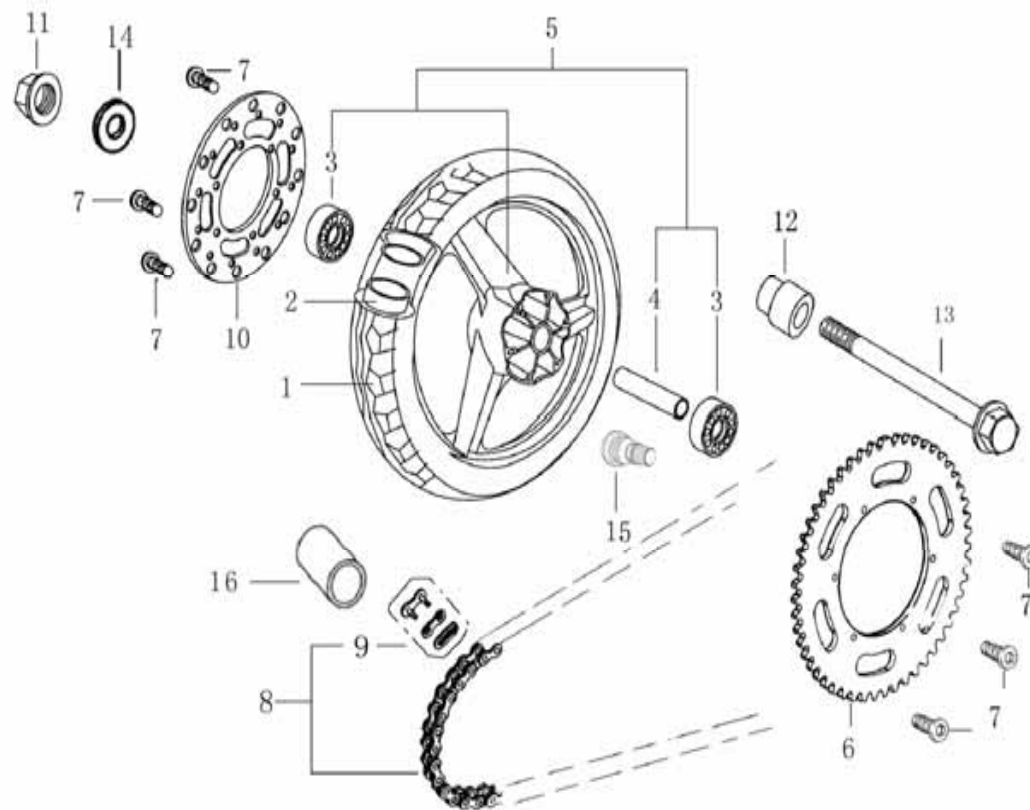


# F-18 Rear Wheel Assy



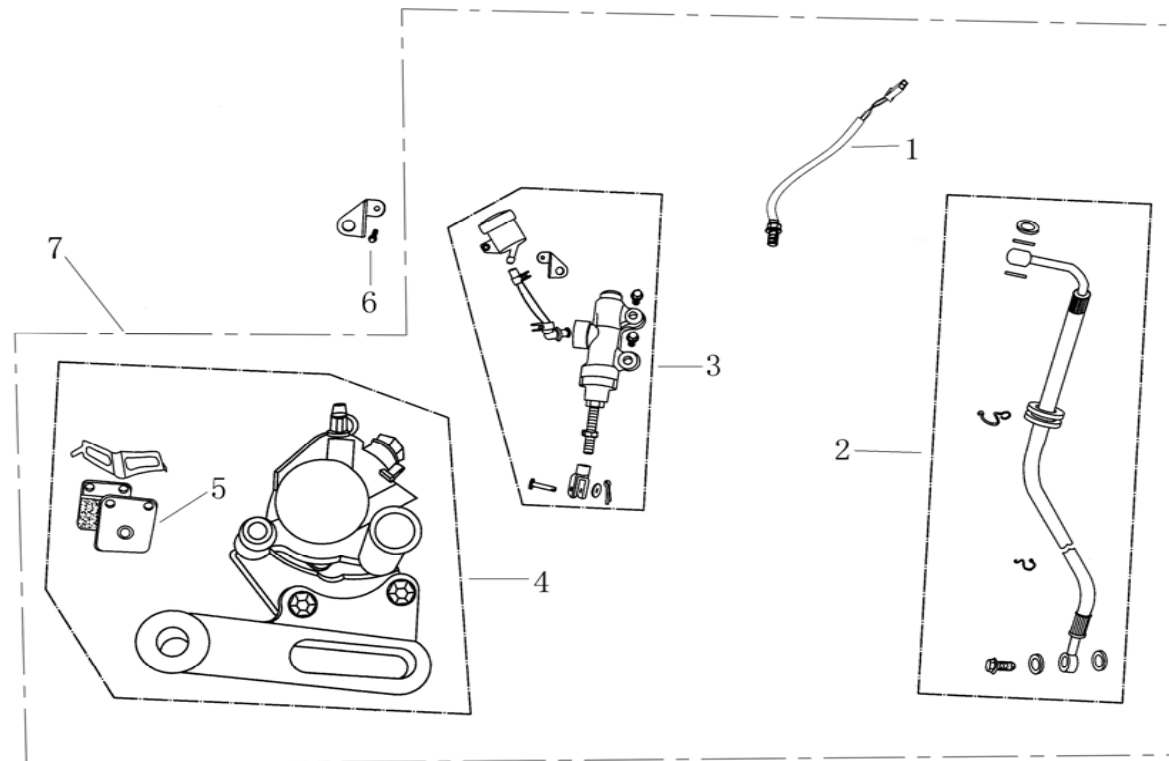
NO	Parts No	Description	Qty	Note
1&2	V172030-FY20-0000	Tire(Tubeless),Rear Wheel (120/70-16)	1	
3	6202 - 2RS-GB/T276-94	Bearing 6202-2RS	2	
4	42658-FYBQ-000	Bush,Rear Wheel	1	
5	V172100-FY20-0GR02	Rear Wheel Rim Assy (Gray, silver side)	1	
	V172100-FY20-1B03	Rear Wheel Rim Assy (Black,)	1	
	V172100-FY20-0B03	Rear Wheel Rim Assy (Black, silver side)	1	
6	V125001-FYBQ-0000	Sprocket (420/53)	1	
7	45361-FY20-000	Bolt M8x20	12	

## F-18 Rear Wheel Assy



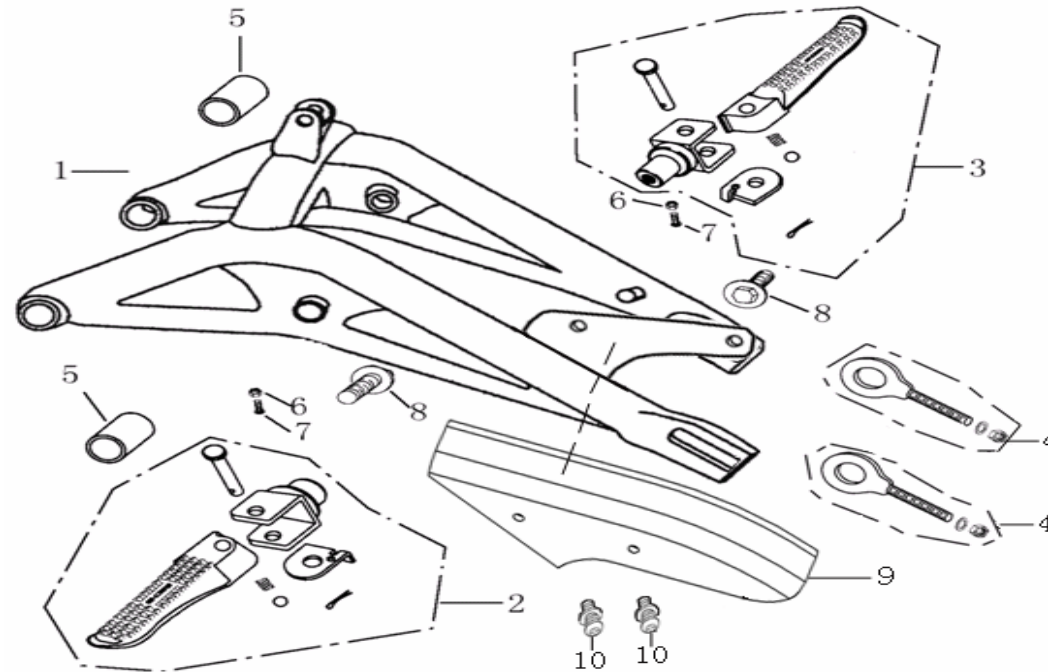
NO	Parts No	Description	Qty	Note
8	08MA-114-GB/T14212	Chain 420-112B	1	
9	41210-FYBQ-000	Connector,Chain	1	
10	43201-FY20-000	Rear Brake Disc	1	
11	GB/T6187.2-M12*1.25-A2G	Lock Nut M12×1.25	1	
12	42315-FY20-000	Left Bush,Rear Wheel	1	
13	42310-FY20-000	Rear Wheel Axle	1	
14	42316-FYBQ-000	Right Bush,Rear Wheel	1	
15	42753-FY8-000	Valve mouth	1	
16	52107-FY20-000	Chain slide sheath	1	

# F-19 Rear Brake Assy



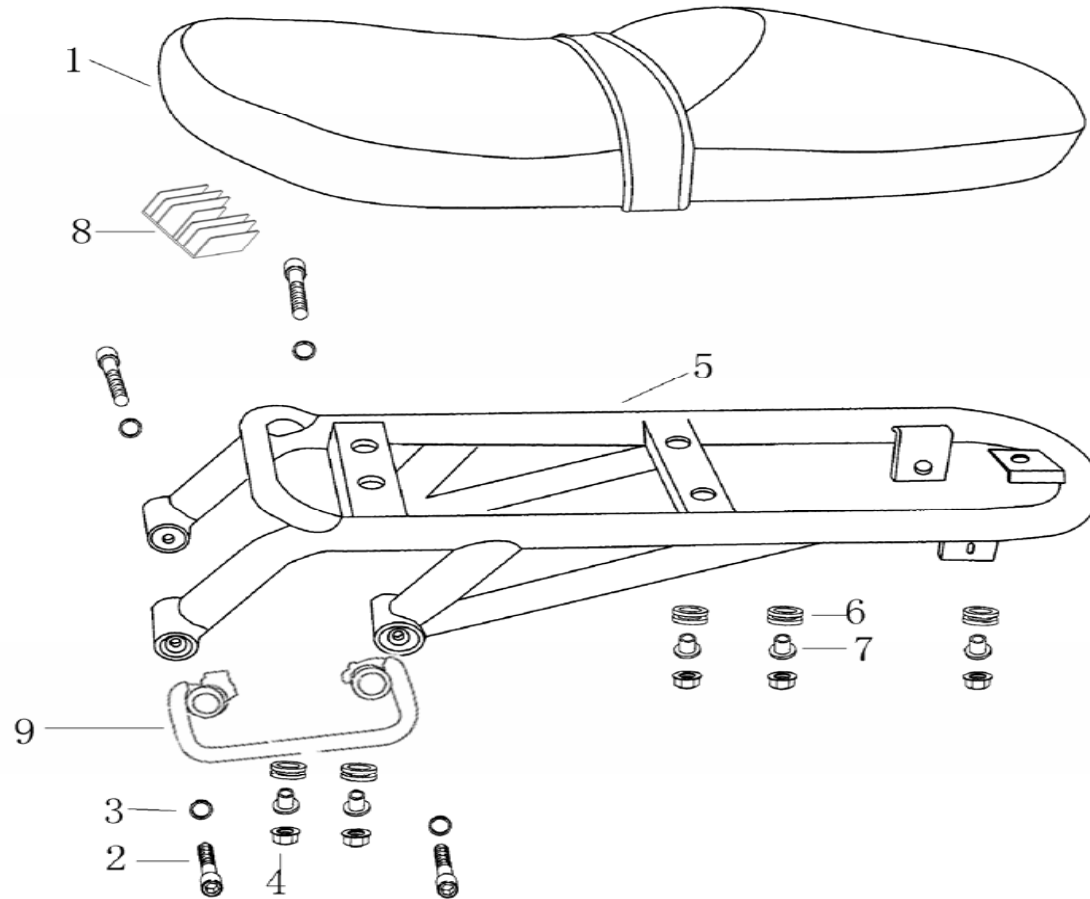
NO	Parts No	Description	Qty	Note
1	35360-FYBQ-300	Rear Brake Switch	1	
2	43260-FYBQ-300	Oil Tube,Rear Brake	1	
3	43230-FYBQ-30R	Rear Brake Caliper Assy(Red)	1	
	43230-FYBQ-3YGB	Rear Brake Caliper Assy(Black)	1	
4	43210-FYBQ-30R	Master Cylinder,Rear Brake (Red)	1	
	43210-FYBQ-3YGB	Master Cylinder,Rear Brake (Black)	1	
5	43235-FYBQ-300	Rear Brake Pad	1	
6	GB/T16674.1-M6*16-A3H	Flange Bolt M6*16	1	
7	43200-FY20-00R	Rear Brake Assy(Red)	1	
	43200-FY20-YGB	Rear Brake Assy(Black)	1	

## F-20 Rear Swing Arm



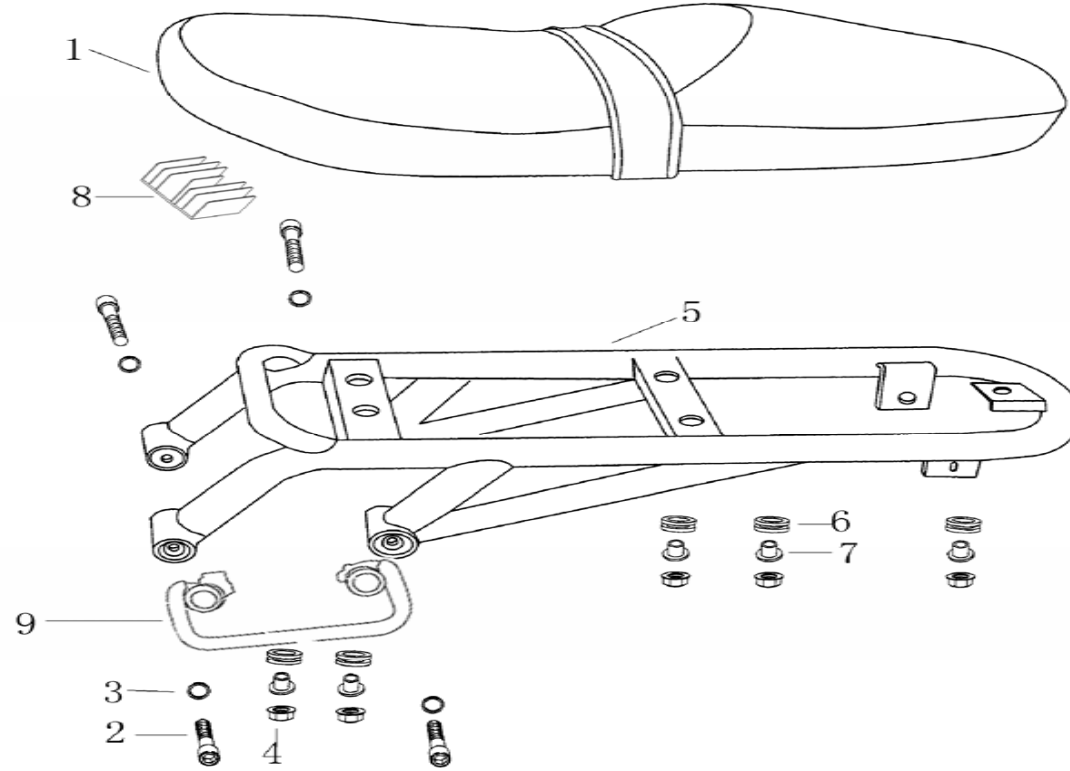
NO	Parts No	Description	Qty	Note
1	V141100-FY20-0GR02	Rear Swing Arm Assy (Silver )	1	
	52100-FY20-00Y	Rear Swing Arm Assy (Yellow )		
	52100-FY20-YGB	Rear Swing Arm Assy (Black)	1	
2	50710-FYBQ-000	Rear Footrest (Left)	1	
3	50720-FYBQ-000	Rear Footrest (Right)	1	
4	40540-FY20-000	Chain Adjuster	2	
5	52220-FYBQ-000	Bush,Rear Swing Arm	2	
6	GB/T6170-M5-A2G	Hexagon Nut M5	2	
7	GB/T818-M5*12-A2G	Pan Screw M5*12	2	
8	GB/T9074.1-M8*20-8.8-S1-L-A2G	Combination Bolt M8×20	2	
9	40510-FY20-000	Chain guard	1	
10	GB/T9074.4-M6*10-A2G	Combination Bolt M6×10	2	

F-21 Seat Assy new



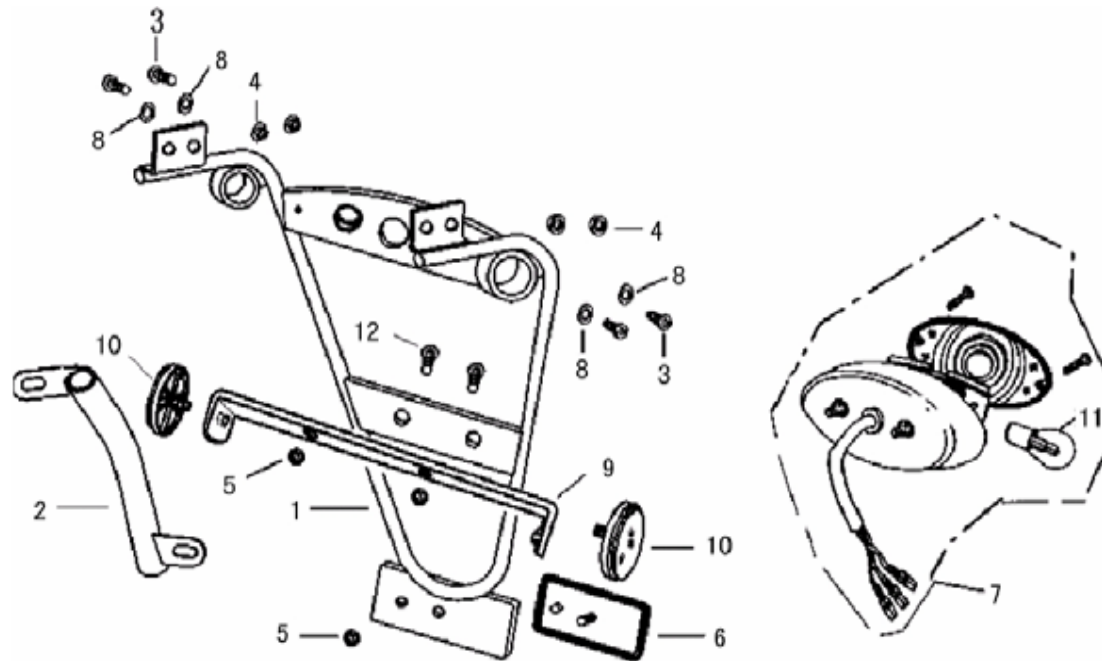
NO	Parts No	Description	Qty	Note
1	77200-FY20-000	Seat Assy	1	
2	90117-08045-10C	Inner Hexagon Bolt M8*45	4	
3	GB/T93-8-A2G	Spring Washerφ8	4	
4	GB/T6177.1-M6-A2G	Flange Nut M6	5	
5	V013100-FY20-0GR02	Seat Holder(gray)	1	
	501A0-FY20-YGB	Seat Holder(Black)	1	
	501A0-FY20-00Y	Seat Holder(Yellow)		

F-21 Seat Assy new



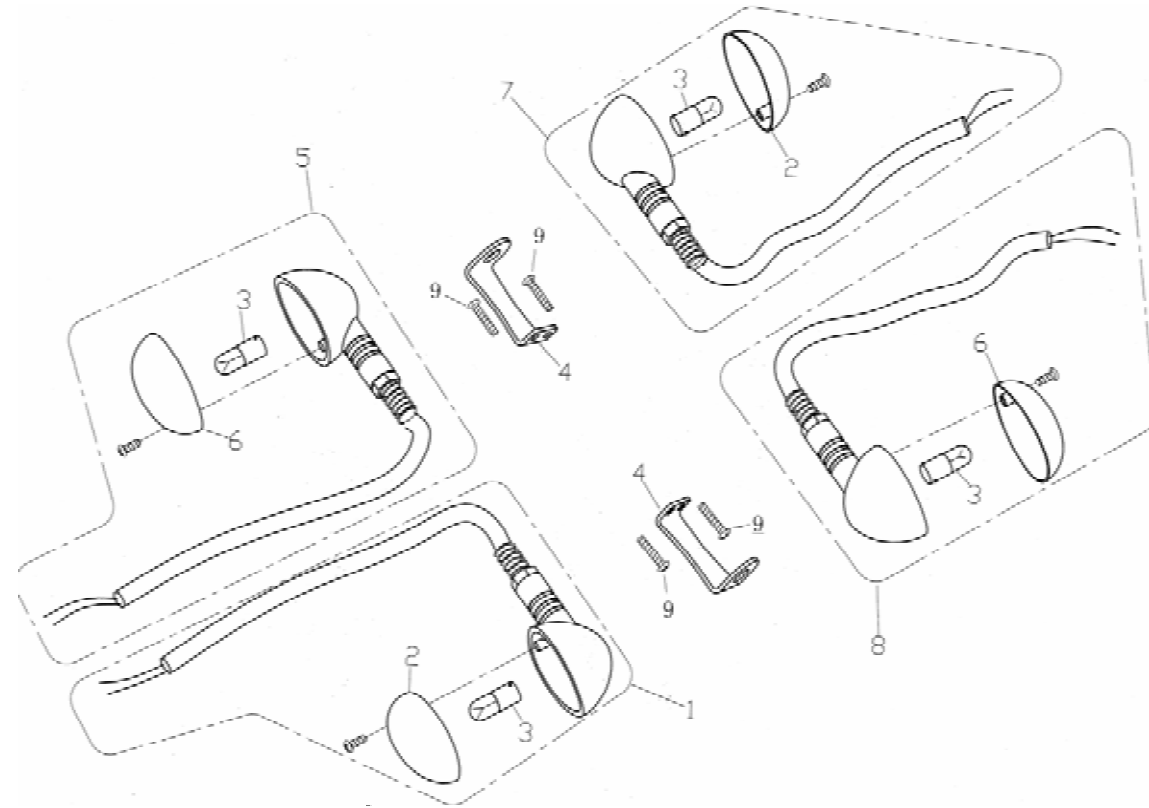
NO	Parts No	Description	Qty	Note
6	84703-FYT3A-000	Damper Rubber	5	
7	17207-FY2-000	Bush	5	
8	77263-FY20-000	Seat shock-absorbing plate	1	
9	V014710-FY20-0GR02	Rear helmet holder(grey)	1	
	V014710-FY20-0B03	Rear helmet holder(black)	1	
	V014710-FY20-0Y01	Rear helemet holder(yellow)	1	

F-22 Tail Light Assy



NO	Parts No	Description	Qty	Note
1	84812-FYBQ-2YGB	Bracket,Rear License Plate (Black)	1	
2	33791-FYBQ-1YGB	Lead Tube	1	
3	90616-FYBQ-00C	Inner Hexagon Bolt M6×16	4	
4	GB/T6187.1-M6-A2G	Lock Nut M6	4	
5	GB/T6187.1-M5-A2G	Flange Nut M5	3	
6	33741-FYT3A-000	Rear Reflector	1	
7	33700-FY20-100	Tail Light Assy	1	
8	GB/T95-6-A2G	Flat Washer φ6	4	
9	33755-FYBQ-000	Mounting Holder,Side Reflector and licence plate	1	
10	33750-FYBQ-400	Side Reflector (DOT.E-Mark,Red)	2	
11	33710-FY20-000	Tail Light Bulb (12V 21/5W)	1	
12	GB/T9074.4-M5*12-A2G	Screw M5*12	2	

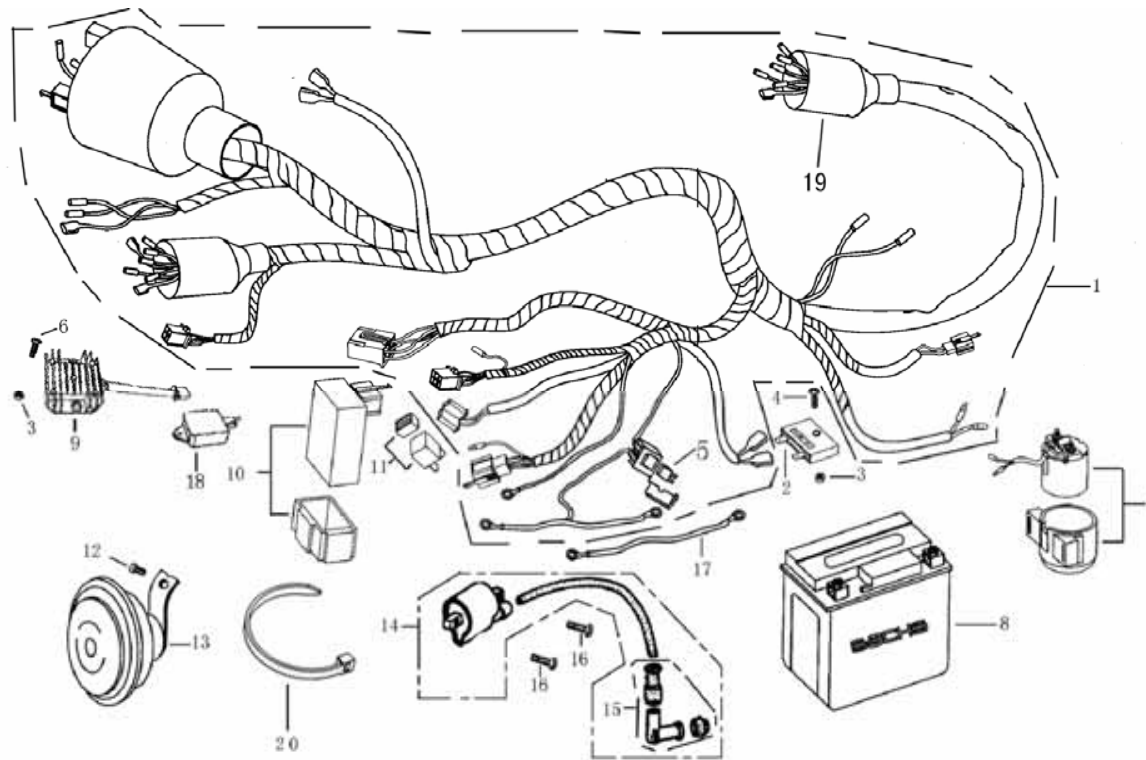
F-23 Indicator



NO	Parts No	Description	Qty	Note
1	33410-FY20-200	Front Indicator (Left,new)	1	
2	33416-FY20-000	Lampshade,Indicator(front.left)	2	
3	33422-FY20-000	Indicator Bulb(21W/12V)	4	
4	33430-FY20-100	Mounting Holder,Indicator *OP	2	
5	33420-FY20-200	Front Indicator (Right,new)	1	
6	33456-FY20-000	Lampshade,Indicator(front.right)	2	
7	33520-FY20-200	Rear Indicator (Right,new)	1	
8	33510-FY20-200	Rear Indicator (Left,new)	1	
9	90616-FYBQ-00C	Inner Hexagon Bolt M6×16	4	

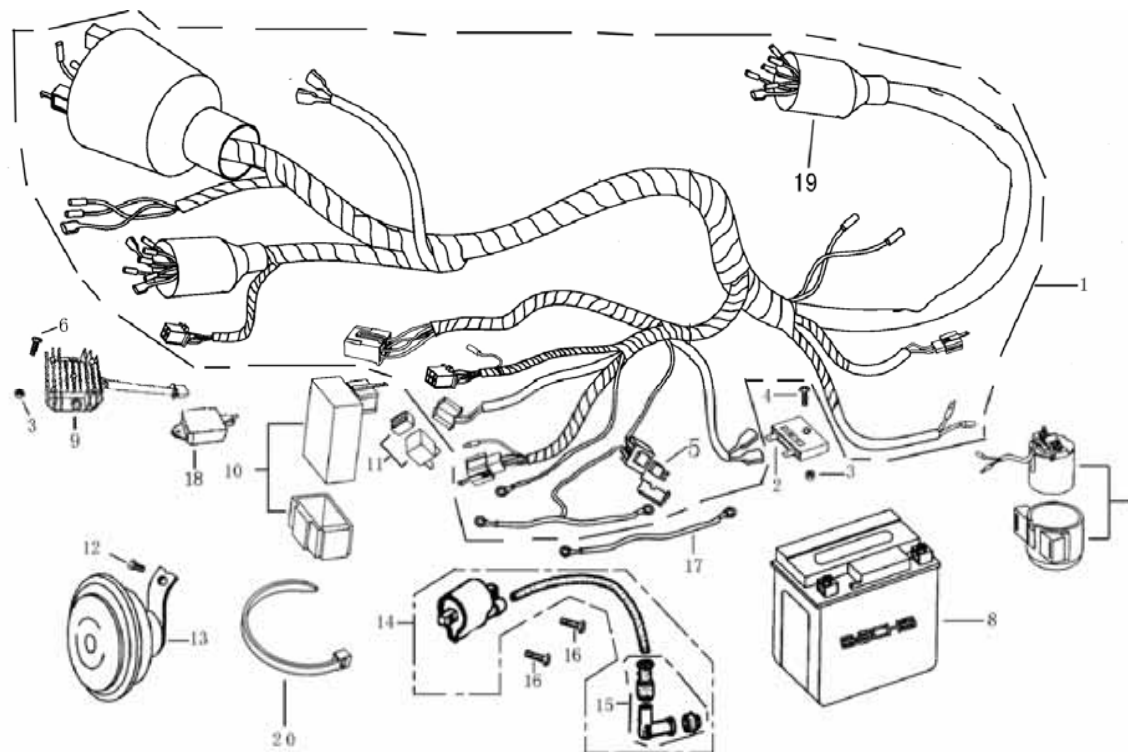


## F-24 Wiring Harness

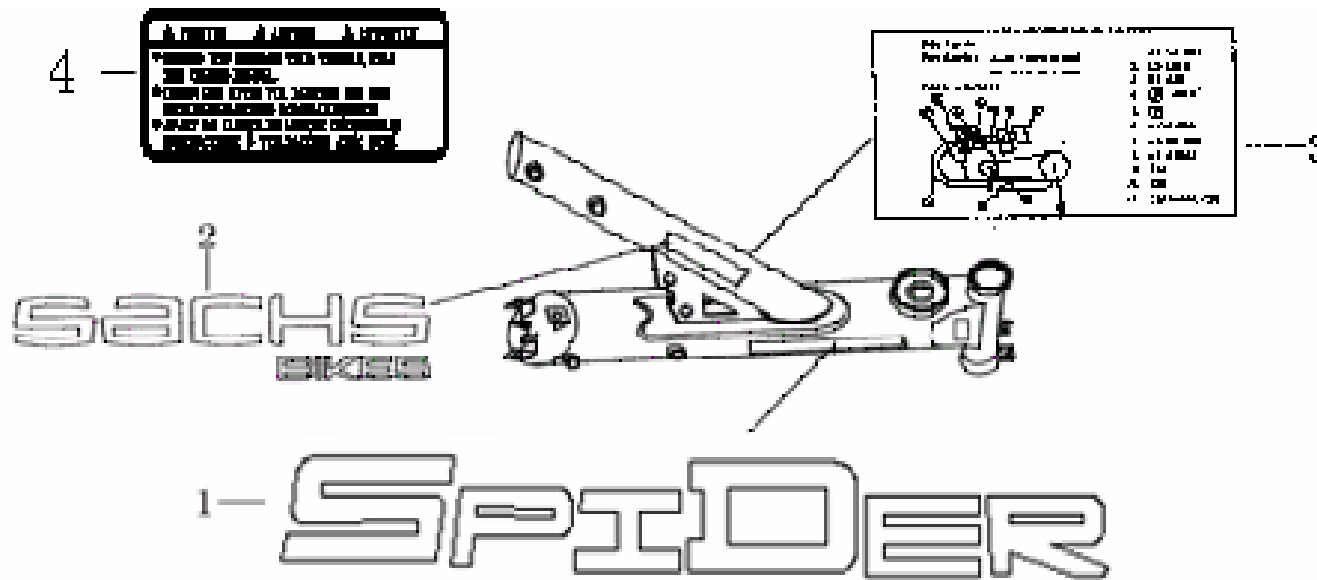


NO	Parts No	Description	Qty	Note
1	32100-FY20-200	Wiring Harness(Four gear)	1	
2	38500-FY-000	Diode	1	
3	GB/T6187.1-M5-A2G	Flange Nut M5	3	
4	GB/T818-M5*20-A3H	Screw M5*20	1	
5	31533-FY20-000	Fuse(15A)	1	
6	GB/T819.1-M5*25-A2G	Screw M5*25	2	
7	35800-FYBQ-000	Start Relay	1	
8	31500-FY20-000	Battery Assy(YTX7L-BS)	1	
9	31600-FY20-000	Rectifier (Full Wave)	1	
10	30400-FY20-000	C.D.I Comp	1	

## F-24 Wiring Harness



NO	Parts No	Description	Qty	Note
11	38301-FYBQ-000	Flasher Comp	1	
12	GB/T9074.17-M6*12-A2G	Combination Bolt M6×12	1	
13	38100-FYBQ-000	Horn(E-mark)	1	
14	30510-FY20-000	Ignition Coil Assy	1	
15	30513-FYG2-000	Cap,Spark Plug	1	
16	GB/T9074.4-M5*16-A2G	Pan Bolt M5×16	2	
17	32412-FYBQ-000	Cathode Cable	1	
18	V201130-FYBQ-0000	Speed Limiter (Four gear)	1	
19	32181-FYBQ-000	rubber cover	1	
20	91165-FYGT2-000	band	14	



NO	Parts No	Description	Qty	Note
1	8750B-FY20-1GR	Oil tank sticker(grey/black, spider)	2	
	8750B-FY20-10B	Oil tank sticker(black/red, spider)	2	
2	50101-FYBQ-00A	Sticker,Brand(Silver,SaCHS)	1	
	50101-FYBQ-00B	Sticker,Brand(Black,SaCHS)	1	
3	V226301-FYBQ-0000	Mark, Anti Tampering	1	
4	87560-FY20-000	Warning sticker	1	