



PIAGGIO & C.s.p.a.

**Ape**<sup>®</sup>

## SPARE PARTS CATALOGUE



### APE MIX 50CC 2T 1998-2008

Chassis prefix: ZAPC80000

Engine prefix:

## Index

Finished products.....	5
Alphanumeric index.....	6
Electrical equipment.....	12
Table T73 - Pilot lamp box.....	12
Table T74 - Fr. protection - headlamp group.....	13
Table T75 - Rear tail lamp.....	14
Table T76 - Switches - horn.....	15
Table T77 - Windshield wiper.....	16
Table T78 - Electrical devices.....	17
Table T79 - Battery.....	18
Table T80 - Cable harness - electronic ignition device.....	19
Engine.....	20
Table T1 - Engine, assy.....	20
Table T10 - Cluster gear - helical gear.....	21
Table T11 - Clutch.....	22
Table T12 - Clutch cover.....	23
Table T13 - Gearshift fork.....	24
Table T14 - Gear group.....	25
Table T15 - Flywheel magneto.....	26
Table T15/A - Magneto flywheel (cross version).....	27
Table T16 - Scroll cover.....	28
Table T17 - En gine bracket - silencer.....	29
Table T18 - Starting motor.....	30
Table T19 - Carburettor.....	31
Table T2 - Cranckcase, assy.....	32
Table T20 - Carburettor.....	33
Table T21 - Air cleaner.....	34
Table T22 - Air inlet pipe.....	35
Table T23 - Differential case.....	36
Table T24 - Differential case.....	37
Table T25 - Axle-shaft.....	38
Table T26 - Differential.....	39
Table T27 - Sliding gear.....	40
Table T28 - Oil seal boot assy.....	41
Table T3 - Crankcase fasteners.....	42
Table T4 - Crankcase fasteners.....	43
Table T5 - Main bearings.....	44
Table T6 - Crankshaft.....	45
Table T7 - Cylinder - piston - piston pin, assy.....	46
Table T8 - Cylinder head - cooling hood.....	47
Table T9 - Oil pump.....	48
Handlebars.....	49
Table T49 - Steering ball bearings assy.....	49

Table T50 - Steering column.....	50
Table T58 - Handlebars, assy - handlebar cover.....	51
Table T59 - Gear speed grip.....	52
Table T60 - Throttle twist grip.....	53
Transmissions.....	54
Table T64 - Starter control.....	54
Table T67 - Clutch and gear change control cables.....	55
Table T68 - Front brake and throttle cables.....	56
Table T69 - Parking brake control lever.....	57
Table T70 - Parking brake cable.....	58
Table T71 - Reverse gear control.....	59
Table T72 - Speedometer cable.....	60
Suspensions-Wheels.....	61
Table T29 - Wheel.....	61
Table T51 - Brake drum.....	62
Table T52 - Front damper.....	63
Table T53 - Rear suspension.....	64
Table T54 - Rear suspension arm.....	65
Table T55 - Anchor plate - rear wheel hub.....	66
Table T56 - Brake cylinder.....	67
Table T57 - Brake drum - brake jaws.....	68
Table T61 - Brake oil tank - stop switch.....	69
Table T62 - Foot brake pedal.....	70
Table T63 - Hydraulic brake system.....	71
Table T81 - Tool kit.....	72
Chassis.....	73
Table T30 - Frame - mudguard.....	73
Table T31 - Component parts of the frame (open box body).....	75
Table T32 - Component parts of the frame.....	77
Table T33 - Component parts of the frame (cabin).....	78
Table T34 - Spare wheel bracket.....	79
Table T35 - Windscreen - rear screen.....	80
Table T36 - Upper central dashboard.....	81
Table T37 - Front mudguard - dashboard.....	82
Table T38 - Seat cushion - seat back.....	83
Table T39 - Lock - key.....	84
Table T40 - Doors - door lock.....	85
Table T41 - Window.....	86
Table T42 - Driving mirror.....	87
Table T43 - Fuel tank.....	88
Table T44 - Fuel cock.....	89
Table T45 - Oil tank.....	90
Table T46 - Closed box body clamps on chassis.....	91
Table T47 - Closed box body assy.....	92
Table T48 - Rear door handgrip.....	93



---

Table T65 - Warm air conveyor unit.....	94
Table T66 - Heating control.....	95
Table T82 - Roll bar - protection5 (cross version).....	96
Table T83 - Heating kit.....	97



50 cc  
441 - APE MIX 50CC 2T 1998-2008

Chassis prefix: ZAPC80000  
Engine prefix:

---

## Finished products

Code	Validity
no finished product	



Code	No. table	Pos.	Code	No. table	Pos.	Code	No. table	Pos.
000267	T6	11	006731	T50	18	013836	T74	1
000292	T15	14	006844	T50	15	013843	T71	13
000397	T3	4	006965	T15	16	013861	T17	10
000397	T4	10	006965	T15/A	4	013861	T42	4
000480	T2	2	006965	T21	4	013880	T3	11
000584	T2	3	007035	T10	1	013880	T37	13
000675	T41	8	007130	T10	4	013880	T80	11
000702	T47	9	007608	T50	5	013950	T46	10
001508	T10	8	007608	T66	14	014246	T49	4
001821	T6	5	007608	T83	29	014341	T42	3
002438	T66	15	007631	T20	15	014417	T46	17
002438	T83	28	008080	T34	3	014744	T16	4
002800	T51	1	008080	T37	6	015252	T23	15
003014	T57	2	008080	T57	3	015340	T34	8
0030535	T15	17	008080	T58	3	015344	T4	7
003054	T33	10	008096	T36	6	015559	T8	10
003054	T37	15	008096	T37	21	015582	T54	1
003054	T68	4	008112	T8	2	015584	T2	4
003054	T76	7	008265	T16	3	015585	T15/A	2
003055	T21	7	008265	T65	13	015646	T3	1
003055	T29	9	008265	T8	1	015647	T3	10
003055	T65	16	008265	T83	9	015728	T74	2
003055	T66	7	008420	T4	4	015728	T76	6
003055	T83	3	008432	T30	4	015737	T15	8
003056	T18	11	008432	T33	7	015737	T15/A	8
003056	T27	3	008432	T36	15	015759	T75	7
003056	T63	3	008432	T40	14	015859	T34	15
003056	T78	10	008432	T41	12	015859	T34	17
003057	T3	7	008432	T42	11	015859	T34	20
003057	T4	3	008432	T61	2	015911	T34	16
003057	T8	8	008432	T65	26	015911	T34	23
003058	T48	16	008432	T67	3	015911	T37	5
003058	T55	5	008432	T70	2	015911	T42	18
003058	T65	6	008451	T83	25	015994	T41	19
003058	T82	7	008455	T29	10	016036	T2	5
003058	T83	14	008455	T34	5	016404	T48	4
003751	T49	2	008455	T57	5	016405	T15	2
003916	T7	8	008455	T58	5	016405	T47	3
004021	T37	2	008499	T3	8	016405	T65	17
004515	T2	6	008847	T72	8	016405	T66	6
005955	T23	8	008851	T42	6	016405	T83	4
005962	T13	6	009000	T76	5	016406	T18	12
005965	T23	2	009101	T14	9	016406	T27	4
005965	T47	7	011109	T49	1	016406	T28	8
005965	T48	10	011753	T10	3	016406	T43	7
005965	T57	15	012136	T48	14	016406	T43	9
005967	T31	8	012532	T18	16	016406	T46	14
005967	T67	1	012533	T17	14	016406	T46	2
005970	T69	7	012533	T78	9	016406	T46	9
005970	T71	8	012535	T17	5	016406	T63	2
006000	T44	1	012535	T17	7	016406	T75	8
006018	T59	6	012536	T56	2	016406	T78	1
006066	T52	7	012540	T42	5	016406	T80	13
006379	T14	3	012555	T6	3	016406	T80	8
006380	T49	11	012761	T31	3	016407	T3	12
006425	T10	9	012761	T61	7	016407	T3	2
006612	T7	2	012768	T40	12	016407	T4	2
006627	T25	1	012768	T70	4	016407	T7	5
006632	T51	2	013755	T79	10	016407	T8	9
006646	T26	5	013755	T83	20	016408	T17	11
006647	T10	5	013763	T34	4	016408	T29	4
006647	T5	4	013763	T42	19	016408	T30	14
006647	T55	14	013769	T47	2	016408	T51	6
006706	T13	1	013769	T74	14	016408	T55	4
006707	T23	5	013776	T4	8	016408	T57	6
006710	T12	9	013812	T73	6	016408	T61	6
006714	T50	9	013836	T38	7	016408	T62	2



Code	No. table	Pos.	Code	No. table	Pos.	Code	No. table	Pos.
016408	T65	7	020108	T82	9	078307	T8	13
016408	T82	8	020108	T83	12	078332	T6	9
016408	T83	13	020110	T17	4	078597	T13	8
016410	T23	14	020110	T17	8	078783	T54	2
016410	T52	6	020110	T54	4	0789454	T13	5
016410	T53	5	020206	T61	12	080341	T80	4
016410	T54	3	021110	T52	5	083898	T20	10
016516	T66	2	021110	T53	4	085288	T19	19
016516	T68	6	021112	T6	2	085291	T20	5
016604	T31	7	021460	T50	13	085294	T19	2
016604	T61	10	024201	T40	13	087975	T21	3
016604	T62	6	024638	T19	12	090045	T15	15
016621	T66	13	025990	T51	9	090045	T15/A	3
016621	T83	30	030050	T12	13	090131	T5	6
016626	T34	6	030062	T27	2	090457	T51	8
016670	T34	14	030065	T27	1	090742	T31	4
016670	T34	19	030077	T62	7	090854	T79	11
016670	T34	22	030084	T65	4	090854	T81	2
016670	T57	6	030084	T83	35	090878	T51	10
016670	T58	6	030101	T54	5	090937	T46	7
016673	T43	11	030104	T23	9	090958	T30	3
016708	T26	8	031018	T82	6	0911187201000	T81	1
017019	T23	11	031023	T65	2	0911387201000	T81	5
017503	T72	9	031025	T68	1	097733	T38	15
018509	T16	6	031027	T48	5	098130	T19	9
018509	T8	11	031056	T15	12	098130	T20	18
018515	T39	1	031056	T18	17	098135	T20	7
018536	T36	4	031056	T37	1	098146	T19	10
018536	T37	23	031056	T65	15	098148	T20	6
018536	T37	24	031056	T66	8	098149	T19	6
018732	T67	4	031056	T83	2	098433	T20	3
0193014	T4	6	031058	T9	4	099315	T19	5
020006	T37	16	031059	T59	7	101422	T69	8
020007	T3	6	031084	T48	7	104296	T3	13
020104	T68	3	031086	T8	3	109306	T69	4
020105	T18	15	031088	T50	7	109309	T69	5
020105	T21	5	031089	T37	14	109310	T69	2
020105	T41	16	031089	T43	10	109329	T30	18
020105	T47	11	031089	T43	8	109329	T72	4
020105	T65	18	031089	T78	2	109889	T56	8
020105	T66	5	031091	T28	7	109960	T22	2
020105	T83	5	031091	T31	10	109960	T22	4
020106	T17	6	031091	T46	4	109960	T65	9
020106	T18	13	031092	T46	5	109960	T83	11
020106	T20	16	031116	T17	12	113906	T19	14
020106	T27	5	031116	T30	12	113950	T46	3
020106	T46	13	031119	T55	6	115817	T48	2
020106	T46	8	031119	T61	11	116097	T57	4
020106	T63	4	031119	T66	9	116112	T57	10
020106	T70	8	031119	T82	10	116112	T58	10
020106	T78	3	031119	T83	31	116140	T53	3
020106	T78	8	046699	T28	6	116146	T27	6
020106	T80	14	049172	T34	7	116147	T27	7
020106	T80	7	057939	T57	7	1161484	T27	7
020106	T9	8	063435	T56	7	116195	T28	3
020107	T3	3	063440	T56	1	116229	T28	1
020107	T4	1	071633	T77	7	116238	T26	3
020107	T7	9	074414	T52	2	116240	T26	9
020108	T29	5	074414	T53	7	116241	T26	6
020108	T30	15	074451	T61	8	116260	T71	2
020108	T42	8	074521	T57	3	116298	T57	4
020108	T51	5	075708	T52	1	116298	T58	4
020108	T55	3	075708	T53	6	1163764	T13	7
020108	T57	5	075962	T64	1	1163765	T13	7
020108	T61	5	076955	T61	13	116378	T13	3
020108	T62	1	078307	T16	5	116379	T13	2
020108	T65	5	078307	T37	12	116441	T57	1



Code	No. table	Pos.	Code	No. table	Pos.	Code	No. table	Pos.
116496	T46	6	119807	T63	1	140275	T20	2
116627	T31	6	119839	T34	1	140435	T71	3
116635	T40	10	119878	T52	3	140617	T80	6
116693	T23	3	1199361	T55	11	141833	T48	1
116695	T24	2	1199371	T55	11	145298	T15	3
116733	T53	1	119940	T55	13	145298	T74	17
116736	T23	13	119941	T55	12	146197	T9	7
116737	T23	10	119981	T24	4	150110	T14	2
116742	T23	12	1199855	T26	10	152067	T19	4
116869T	T17	3	119987	T28	5	152077	T19	8
116946	T34	9	119989	T28	2	153198	T67	9
117024	T23	7	119995	T22	3	153919	T34	10
1170274	T23	4	120073	T19	13	154797	T56	10
117271	T66	10	121539	T74	4	154868	T61	17
117401	T72	12	121668	T22	6	154883	T79	3
117402	T72	11	121668	T65	23	163015	T75	12
1174365	T55	2	121668	T83	23	163015	T75	6
117437T	T55	2	123389	T60	11	164634	T36	16
117447	T56	3	123390	T59	11	164634	T73	3
117450	T57	13	123391	T60	5	1649315	T77	1
117450	T58	13	123394	T60	6	165415	T14	8
117451	T58	13	125042	T65	3	165416	T14	8
117456	T57	12	1250835	T10	2	165417	T14	8
117456	T58	12	125091	T65	11	165418	T14	8
117457	T57	8	125091	T83	34	1654495	T14	5
117459	T62	3	125096	T65	12	1654505	T14	6
117464	T62	5	125096	T83	17	1654575	T14	4
1176124	T69	6	125185	T66	11	165945	T12	11
117613	T70	5	125185	T83	1	168407	T24	6
117614	T70	6	1252535	T72	10	174523	T63	8
117615	T70	7	125254	T72	13	174524	T63	9
1176175	T70	3	125256	T72	7	174525	T63	6
1176255	T54	7	1252836	T66	12	174526	T63	7
117675	T70	1	1252836	T83	6	175074	T42	9
118009	T19	7	125341	T71	9	175817	T73	2
118058	T55	1	125503	T66	1	177451	T57	13
118205	T57	14	125503	T83	16	177468	T50	14
118205	T58	14	125647	T72	1	177555	T56	5
118259	T37	4	126283	T25	3	178558	T39	6
118313	T67	7	126328	T68	2	178559	T39	5
118489	T8	4	126409	T51	3	178562	T39	7
118490	T16	2	126612	T57	8	178709	T59	15
118498	T59	9	126612	T58	8	178745	T36	3
118578	T46	15	126712	T67	5	179116	T18	1
118625	T40	10	126921	T65	8	179574	T50	4
1186425	T47	1	126921	T83	10	179575	T50	6
118648	T46	12	127046	T30	8	179753	T18	6
118651	T47	10	127050	T19	11	179754	T18	4
118652	T48	6	127069	T72	6	179755	T18	7
118655	T47	6	127071	T67	2	179756	T18	9
118658	T47	5	127350	T17	2	179757	T18	8
118751	T20	14	127966	T80	3	180859	T71	11
118806	T71	10	1280795	T55	7	181351	T71	9
118872	T46	16	128080	T55	10	181746	T74	10
118873	T46	16	128217	T24	3	181746	T75	11
118917	T31	6	1322334	T7	3	181746	T75	5
119215	T49	8	132538	T72	5	181757	T51	4
119216	T49	12	1349026	T14	10	1826654	T40	2
119219	T50	19	136371	T63	5	183275	T77	3
119241	T30	6	1368076	T25	4	183321	T64	2
119273	T66	4	136808	T55	9	184400	T31	26
119278	T66	3	137146	T50	20	184598	T37	10
119278	T83	18	137347	T59	5	185352	T77	2
119344	T23	6	137731	T5	1	187014	T74	6
119597	T61	3	138345	T3	5	1873034	T41	6
119763	T46	11	138345	T4	9	187305	T41	7
119801	T25	2	138393	T14	8	188636	T72	2





Code	No. table	Pos.	Code	No. table	Pos.	Code	No. table	Pos.
188637	T72	3	229741	T60	3	255557	T40	4
189320	T44	4	229935	T60	4	255557	T43	14
190479	T38	9	230329	T30	2	255661	T29	2
190479	T42	13	2310955	T15/A	5	255799	T43	13
190567	T30	5	2310955	T15/A	9	255800	T43	12
191962	T46	1	231571	T80	15	255988	T30	13
193109	T6	1	231687	T35	3	255988	T82	13
193851	T42	7	231726	T35	2	2560755	T32	4
193878	T15/A	12	232108	T54	6	256194	T75	10
193994	T40	15	2325716	T33	2	256194	T75	4
194721	T38	1	232679	T35	1	256308	T15/A	1
194821	T64	4	234268	T22	1	256309	T15/A	10
195366	T77	4	234470	T35	6	256382	T36	5
195367	T77	8	234471	T35	5	256382	T37	20
196272	T34	13	2351043	T15	11	256382	T37	22
196380	T19	17	2351043	T15/A	11	256415	T43	6
1965165	T6	8	235218	T28	4	256416	T43	5
196549	T15	7	235598	T7	4	257094	T48	11
196549	T15/A	7	235606	T7	4	257710	T48	12
196693	T19	15	235607	T7	4	258161	T43	16
196694	T19	16	235608	T7	4	258403	T38	8
196868	T44	5	2363915	T8	7	258403	T40	6
196868	T45	4	239151	T4	5	258403	T42	14
1981012	T48	9	239275	T12	7	258407	T38	11
198484	T67	6	239911	T26	1	258408	T38	12
199190	T34	11	240106	T76	10	258637	T32	2
199190	T65	25	240199	T20	8	258639	T71	7
199190	T83	26	2411495	T17	9	258641	T71	12
199500	T15	10	2425815	T14	1	258646	T71	1
213550	T62	4	2432740001	T7	1	258656	T69	1
214163	T65	19	2432740002	T7	1	258657	T69	3
214163	T83	32	2432740003	T7	1	258763	T42	2
214772	T61	14	243275	T7	1	258827	T71	5
216021	T35	4	243276	T7	1	259264	T41	11
216142	T15	4	243277	T7	1	260231	T79	9
217100	T36	17	243831	T22	5	260232	T29	3
217166	T48	13	2441285	T80	5	260569	T21	6
217219	T15	5	244297	T10	7	261400	T50	16
217220	T15	6	244395	T8	5	261401	T34	18
217221	T15	9	244474	T30	9	261402	T34	12
217222	T15	13	244708	T19	18	261405	T42	16
217292	T80	12	245201	T20	17	261406	T57	1
2180605	T78	12	2452375	T6	6	261406	T58	1
218088	T15/A	6	245632	T20	9	261409	T41	18
218215	T65	24	245633	T20	19	261476	T59	13
218215	T83	27	2457652	T56	9	261688	T59	14
2183525	T65	10	246387	T48	17	261689	T60	7
2183525	T83	8	246616	T48	3	263129	T31	10
218354	T65	21	2466335	T61	4	263272	T37	7
218354	T83	21	2469814	T47	8	263289	T29	11
2183605	T65	14	2469845	T47	12	263290	T82	1
2183605	T83	33	247065	T8	7	263444	T82	11
218631	T18	14	247446	T61	1	2640735	T33	5
2188235	T79	3	247653	T20	4	2640745	T33	4
218988	T80	1	248293	T18	2	264081	T32	7
219605	T76	9	2485145	T24	1	264082	T32	6
219871	T61	15	249482	T18	5	264087	T74	7
222429	T3	9	249519	T61	9	264088	T74	7
225814	T30	7	249759	T29	1	264091	T76	13
226352	T57	7	2504235	T65	1	264094	T76	4
226352	T58	7	2504235	T83	15	264097	T30	19
227551	T56	4	250623	T75	3	264101	T34	2
2275525	T56	6	250623	T75	9	264103	T34	21
227687	T5	3	252945	T78	4	264110	T32	8
227983	T74	15	252945	T80	17	264151	T32	5
2286635	T29	6	254485	T45	8	2641565	T33	3
229741	T59	12	255557	T39	4	264163	T74	12

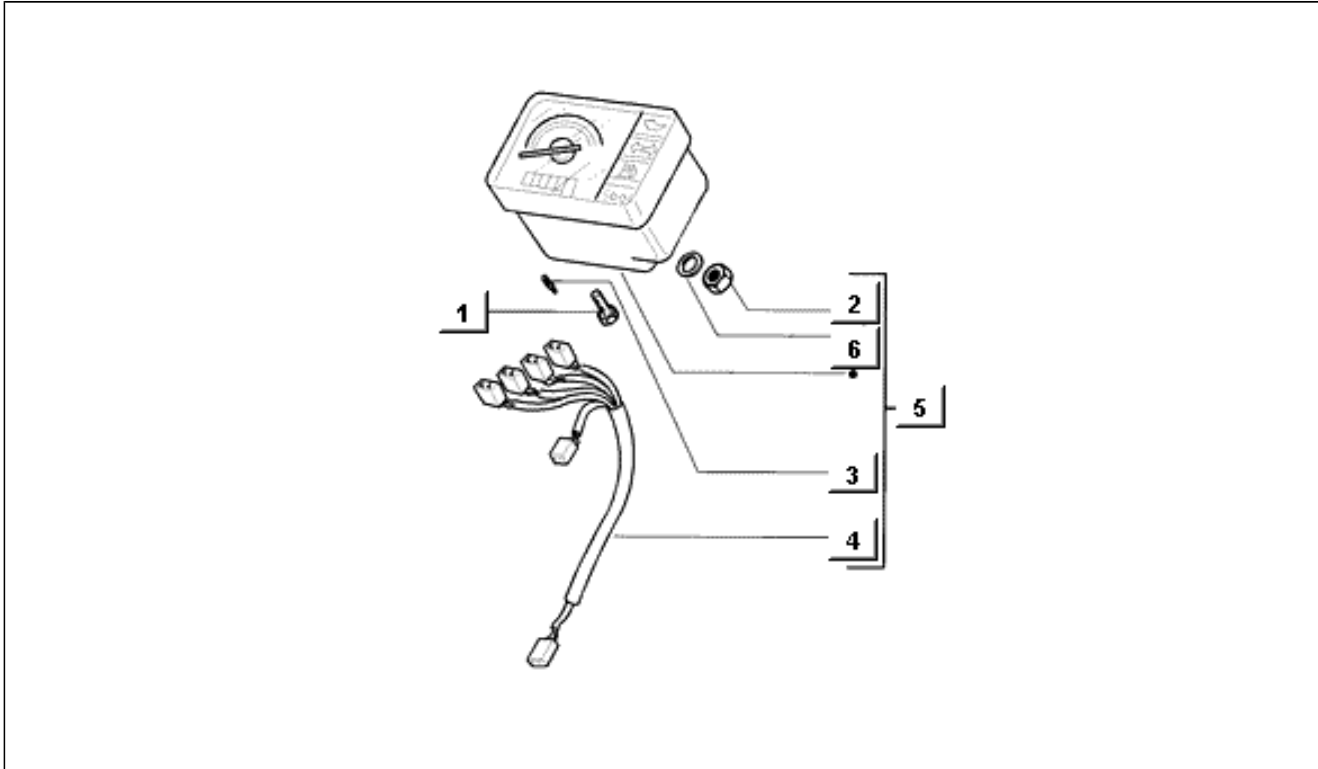


Code	No. table	Pos.	Code	No. table	Pos.	Code	No. table	Pos.
264164	T74	13	291582	T39	2	565547	T74	18
264165	T30	20	292364	T76	12	565559	T36	7
264166	T30	21	292507	T78	5	565560	T36	8
264252	T38	13	294131	T74	5	565779	T31	12
264520	T38	14	294144	T74	3	565869	T31	16
264660	T30	21	294145	T74	9	565940	T77	6
264668	T35	3	294146	T74	9	566484	T68	5
264778	T31	28	294370	T76	3	566485	T60	1
264783	T31	20	294387	T74	16	566502	T52	4
264783	T31	27	294398	T76	11	566900	T33	8
264785	T31	18	294848	T74	21	566909	T33	9
264948	T31	19	294917	T76	1	566917	T31	13
265249	T59	8	295331	T21	1	566918	T31	2
265249	T60	9	295331	T21	2	566919	T31	9
265728	T59	2	295664	T82	12	566920	T31	5
265858	T60	12	297791	T79	8	566924	T31	22
265859	T59	4	298930	T30	17	566925	T31	22
265861	T59	10	311163	T9	9	566926	T31	14
2660145	T65	20	311277	T20	12	566927	T31	15
2660145	T83	22	401605	T76	8	566941	T31	17
267495	T57	9	401605	T80	9	566960	T45	2
2679035	T57	2	401606	T80	10	566962	T45	5
2679035	T58	2	4141315	T57	11	566964	T30	11
268227	T51	7	4141315	T58	11	566990	T41	15
2682514	T53	8	414837	T12	6	566991	T41	1
268509	T73	1	414837	T50	12	566992	T41	1
269571	T68	8	414948	T37	17	5669975	T58	9
2705065	T57	17	4344715	T26	2	567060	T37	11
2705075	T57	17	4344725	T26	7	567063	T82	3
270711	T67	8	434735	T55	8	567066	T74	11
271049	T46	16	4363955	T10	6	567073	T43	2
271976	T68	12	438049	T8	6	567076	T43	3
271977	T68	11	482746	T9	5	567078	T39	3
272907	T59	1	482747	T9	6	567078	T40	3
272907	T60	8	482748	T6	4	567078	T43	15
273419	T50	2	482801	T20	11	567083	T64	3
274246	T50	3	486266	T12	12	567084	T33	6
274249	T50	8	4863805	T1	1	567091	T73	5
277916	T12	5	487391	T12	1	567102	T68	7
2854215	T27	8	487445	T83	19	567103	T68	9
285422	T14	7	4874495	T2	1	567104	T68	10
2854245	T26	4	487455	T17	1	567108	T36	2
2855124	T24	5	487468	T16	1	5671115	T32	1
2859741	T11	4	487469	T8	12	5671205	T31	21
2860135	T11	3	4875405	T1	1	567134	T31	24
2860144	T11	5	487763	T13	4	567135	T31	24
286018	T11	7	493537	T1	2	567136	T31	23
286019	T11	6	493538	T83	0	567137	T31	23
2860245	T12	4	493616	T49	6	5671415	T32	3
286101	T12	10	493617	T49	7	567143	T29	12
2862975	T11	8	494749	T74	19	567148	T42	12
286305	T12	2	498347	T20	20	567149	T42	12
286406	T12	3	498876	T74	20	5671505	T40	8
286889	T20	1	500501	T6	10	5671515	T40	8
288507	T12	8	500502	T6	10	567152	T40	11
288837	T17	13	500503	T6	10	567154	T40	11
2892165	T6	7	500504	T6	10	567166	T40	9
2892325	T23	1	560787	T60	2	567168	T37	9
289305	T5	5	561866	T81	3	567169	T38	10
289306	T5	2	56500R	T29	7	567170	T38	10
289613	T11	2	565061	T42	1	567174	T40	7
2898776	T11	1	565062	T42	1	567177	T30	10
2898935	T11	9	5653886	T31	5	567178	T30	10
290655	T79	3	56538R	T33	9	567179	T42	15
290944	T74	8	565413	T35	11	567180	T30	11
291402	T76	2	565418	T35	12	567185	T42	15
291530	T43	1	565429	T36	9	567191	T36	1



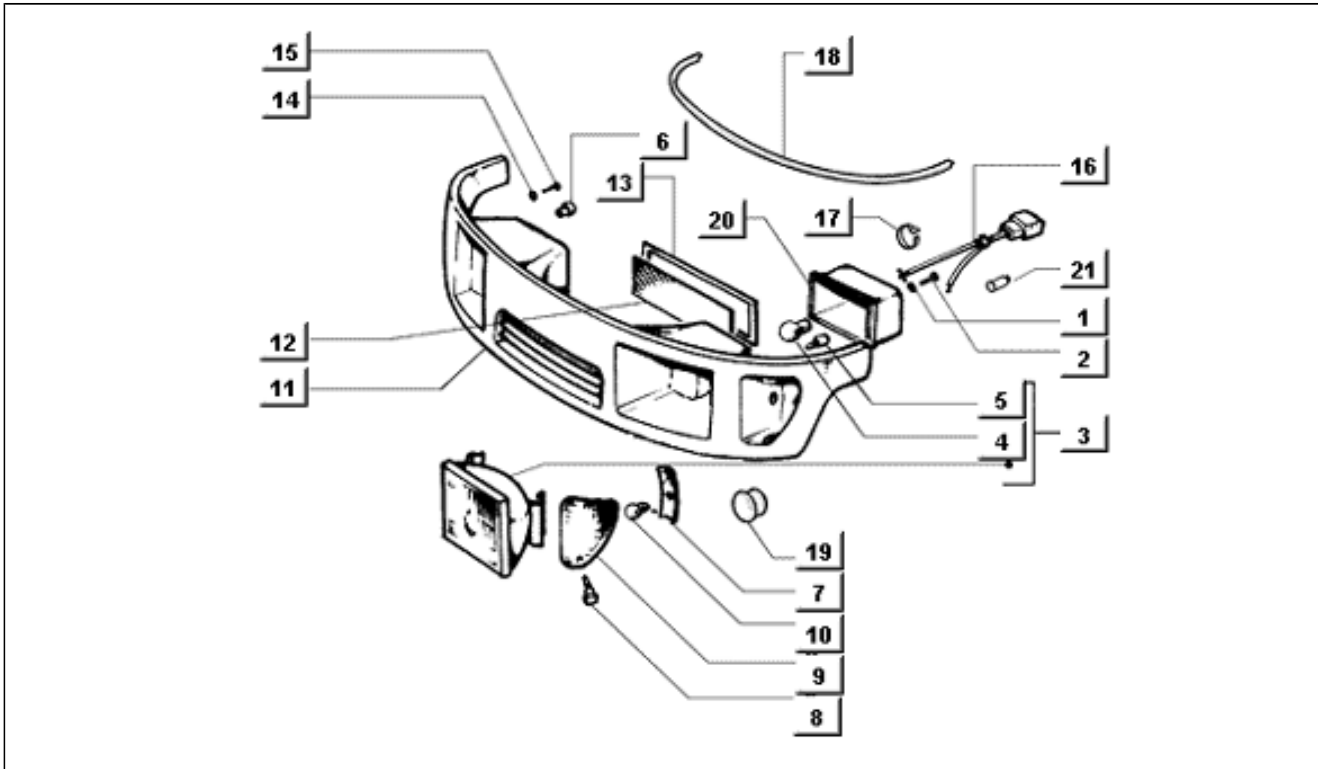
Code	No. table	Pos.	Code	No. table	Pos.	Code	No. table	Pos.
567192	T75	1	568933	T49	10	CM0305015	T82	4
567192	T75	2	568934	T49	9	CM0305025	T82	5
567194	T36	14	568939	T37	8	CM0306015	T31	1
567195	T37	19	569215	T59	3	CM0306025	T31	1
567196	T36	10	569273	T65	22	CM0306035	T31	1
567198	T50	1	569273	T83	24	CM030701	T42	17
567199	T50	10	569383	T31	11	CM030702	T42	17
567314	T51	11	569614	T42	1	CM030703	T42	17
567338	T40	16	569615	T42	1	CM030704	T42	17
567339	T40	16	573080	T45	1	CM030801	T38	2
567340	T40	5	574362	T45	3	CM030802	T38	2
567424	T79	7	575249	T45	7	CM030901	T37	18
567425	T79	2	577557	T44	3	CM030902	T37	18
567426	T79	2	577557	T45	6	CM030903	T37	18
567427	T53	2	580659	T78	13	CM030906	T37	18
567428	T35	8	580879	T73	4	CM031001	T38	6
567432	T35	10	580881	T78	7	CM031101	T37	3
567433	T35	13	580885	T78	6	CM031401	T31	9
567540	T41	11	580886	T36	11	CM031402	T31	2
567541	T35	9	580887	T36	12	CM031403	T31	9
5675465	T29	7	580888	T36	13	CM031404	T31	2
567556	T41	5	580953	T60	10	CM031501	T38	3
567558	T41	14	580962	T80	18	CM031502	T38	3
567601	T41	3	580977	T79	6	CM031601	T33	1
567602	T41	4	5811787Z01000	T81	4	CM031602	T33	1
567603	T41	10	581207	T80	16	CM031603	T33	1
567604	T41	2	581208	T79	4	CM031701	T43	4
567605	T42	10	581209	T79	5	CM031801	T30	1
567606	T41	17	581689	T73	5	CM031802	T30	1
567607	T41	9	582016	T77	1	CM031803	T30	1
567610	T41	13	583337	T78	11	CM031804	T30	1
567611	T40	1	584319	T78	11	CM031805	T30	1
567785	T29	8	584810	T79	3	CM035206	T48	8
567837	T35	7	599384	T31	12	CM035211	T48	15
567839	T30	16	612757	T35	3	CM061701	T80	2
5680565001	T50	17	612844	T34	2	CM061702	T80	2
5680565002	T50	17	644754	T40	5	CM061703	T80	2
5680565003	T50	17	644767	T40	16	CM061801	T79	1
568254	T43	2	644768	T40	16	CM061802	T79	1
568365	T43	3	658400	T35	14	CM062001	T80	2
568366	T39	3	6614787Z00100	T31	25	CM062002	T80	2
568366	T40	3	709037	T71	6	CM062003	T80	2
568366	T43	15	709041	T50	11	CM071807	T76	4
568476	T31	1	813176	T20	13	CM101508	T9	3
5684765	T31	33	825054	T19	18	CM101605	T9	2
568487	T31	1	825772	T1	1			
5684875	T31	1	825773	T1	1			
5684875	T31	29	825801	T19	1			
568489	T31	1	82587R	T78	12			
5684895	T31	31	826032	T19	1			
568491	T31	1	82606R	T9	1			
5684915	T31	32	826911	T7	7			
568492	T31	1	828679	T7	6			
5684925	T31	30	830451	T17	1			
568493	T30	1	830452	T17	1			
568494	T30	1	834870	T19	1			
568495	T30	1	834980	T8	7			
568496	T30	1	840078	T17	1			
568610	T33	3	900411945000	T79	11			
568636	T61	16	9004468084000	T81	6			
568787	T77	3	9004871033000	T82	14			
568790	T77	2	9165160620000	T38	4			
568792	T82	15	9356055014000	T38	5			
568911	T35	10	9356055014000	T77	5			
568912	T35	13	CM002311	T3	14			
568931	T49	5	CM002503	T44	2			
568932	T49	3	CM0304025	T82	2			

<b>Group</b>	Electrical equipment
<b>Code</b>	T73
<b>Description</b>	Pilot lamp box
<b>Service</b>	1



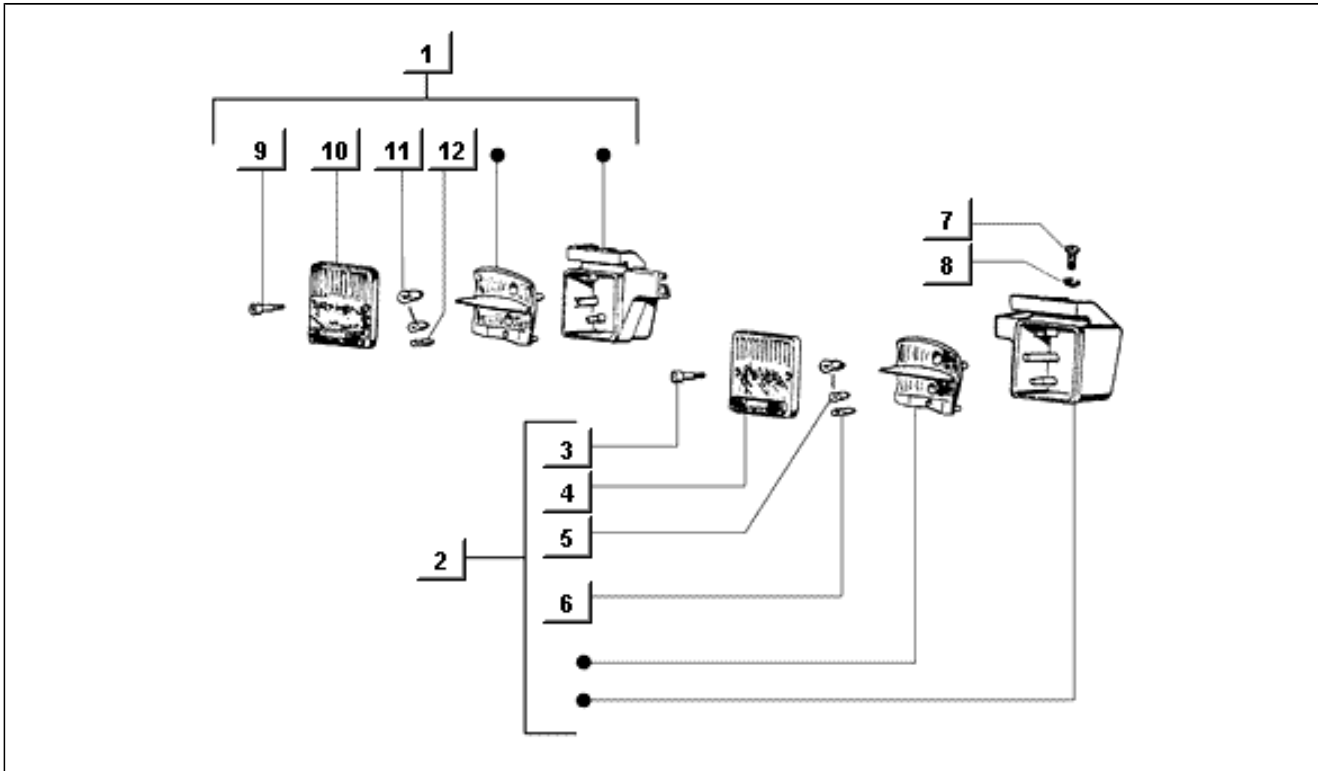
Pos.	Code	Description	Qty	Variants
1	268509	Screw	2	
2	175817	Nut	1	
3	164634	Lamp	4	
4	580879	Cable harness	1	
5	567091	Meter combination	1	
5	581689	Meter combination	1	
6	013812	Washer	1	

<b>Group</b>	Electrical equipment
<b>Code</b>	T74
<b>Description</b>	Fr. protection - headlamp group
<b>Service</b>	1



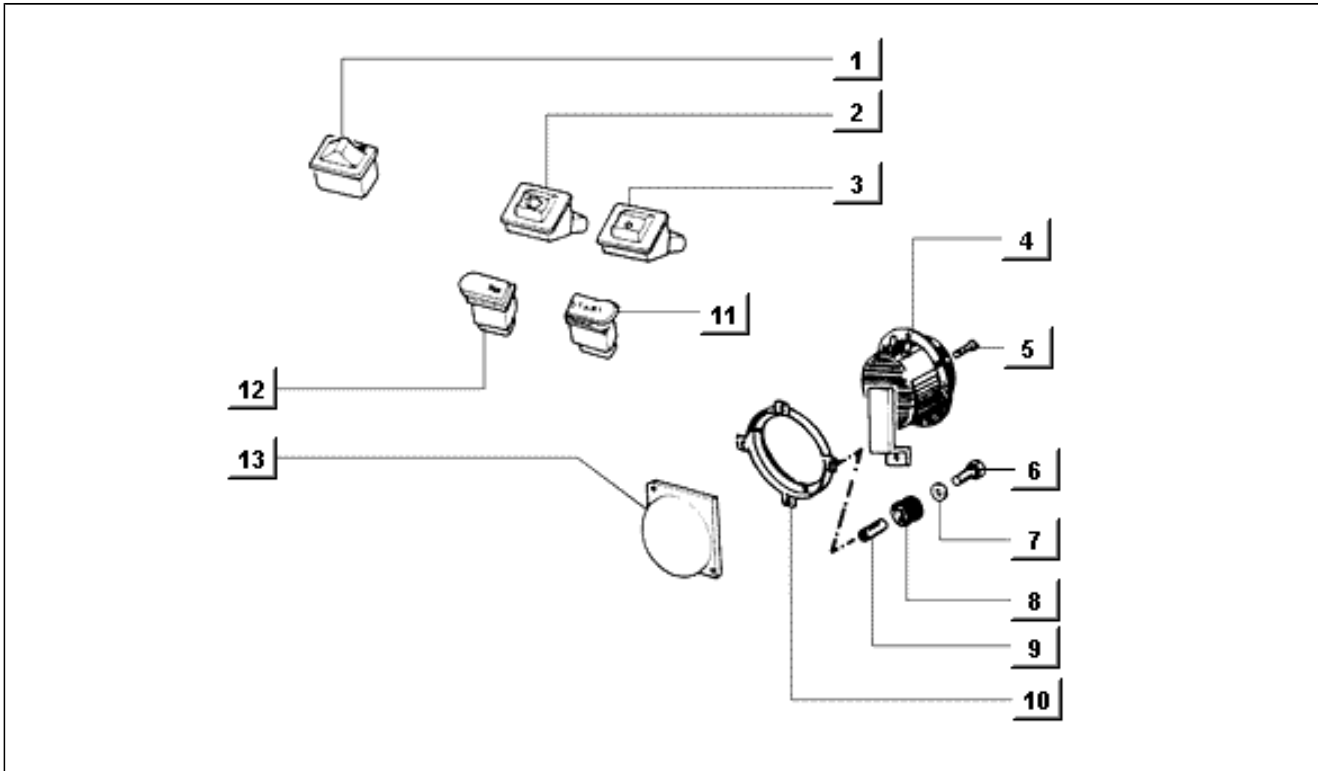
Pos.	Code	Description	Qty	Variants
1	013836	Washer	8	
2	015728	Screw	8	
3	294144	Headlamp	2	
4	121539	Lamp	2	
5	294131	Lamp 12V-3W	2	
6	187014	Slide piece	6	
7	264087	Lampholder	1	
7	264088	Lampholder	1	
8	290944	Self tapping screw	4	
9	294145	Glass	1	
9	294146	Glass	1	
10	181746	Lamp R10W 12v	2	
11	567066	Fr. mask	1	
12	264163	Radiator grill	1	
13	264164	Frame	1	
14	013769	Washer	14	
15	227983	Screw d4x20	14	
16	294387	Cable harness	2	
17	145298	Fascetta a strappo	2	
18	565547	Gasket	1	
19	494749	Light cluster seal	2	
20	498876	Headlamp cover	2	
21	294848	Lampholder	2	

<b>Group</b>	Electrical equipment
<b>Code</b>	T75
<b>Description</b>	Rear tail lamp
<b>Service</b>	1



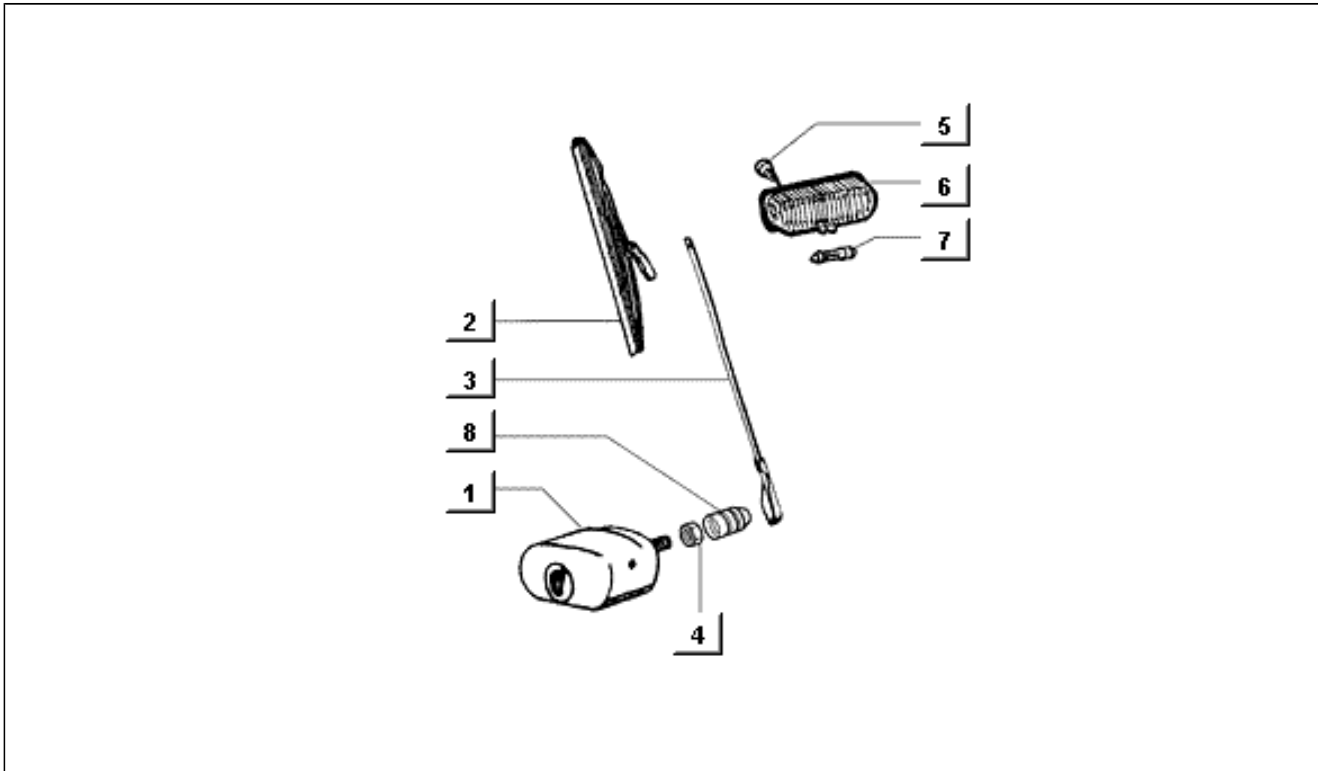
Pos.	Code	Description	Qty	Variants
1	567192	Taillight	1	
2	567192	Taillight	1	
3	250623	Self-tap screw	2	
4	256194	Glass	1	
5	181746	Lamp R10W 12v	2	
6	163015	Lamp	1	
7	015759	Screw M6x20	4	
8	016406	Spring washer 6,4x11,8x1	4	
9	250623	Self-tap screw	2	
10	256194	Glass	1	
11	181746	Lamp R10W 12v	2	
12	163015	Lamp	1	

<b>Group</b>	Electrical equipment
<b>Code</b>	T76
<b>Description</b>	Switches - horn
<b>Service</b>	1



Pos.	Code	Description	Qty	Variants
1	294917	Turn signal lamps switch	1	
2	291402	Switch	1	
3	294370	Switch	1	
4	264094	Horn	1	
4	CM071807	Horn	1	
5	009000	Screw	3	
6	015728	Screw	2	
7	003054	Washer 4,3x8x0,5	2	
8	401605	Drift	2	
9	219605	Spacer	2	
10	240106	Clamp	1	
11	294398	Start pushbutton	1	
12	292364	Button	1	
13	264091	Horn cover	1	

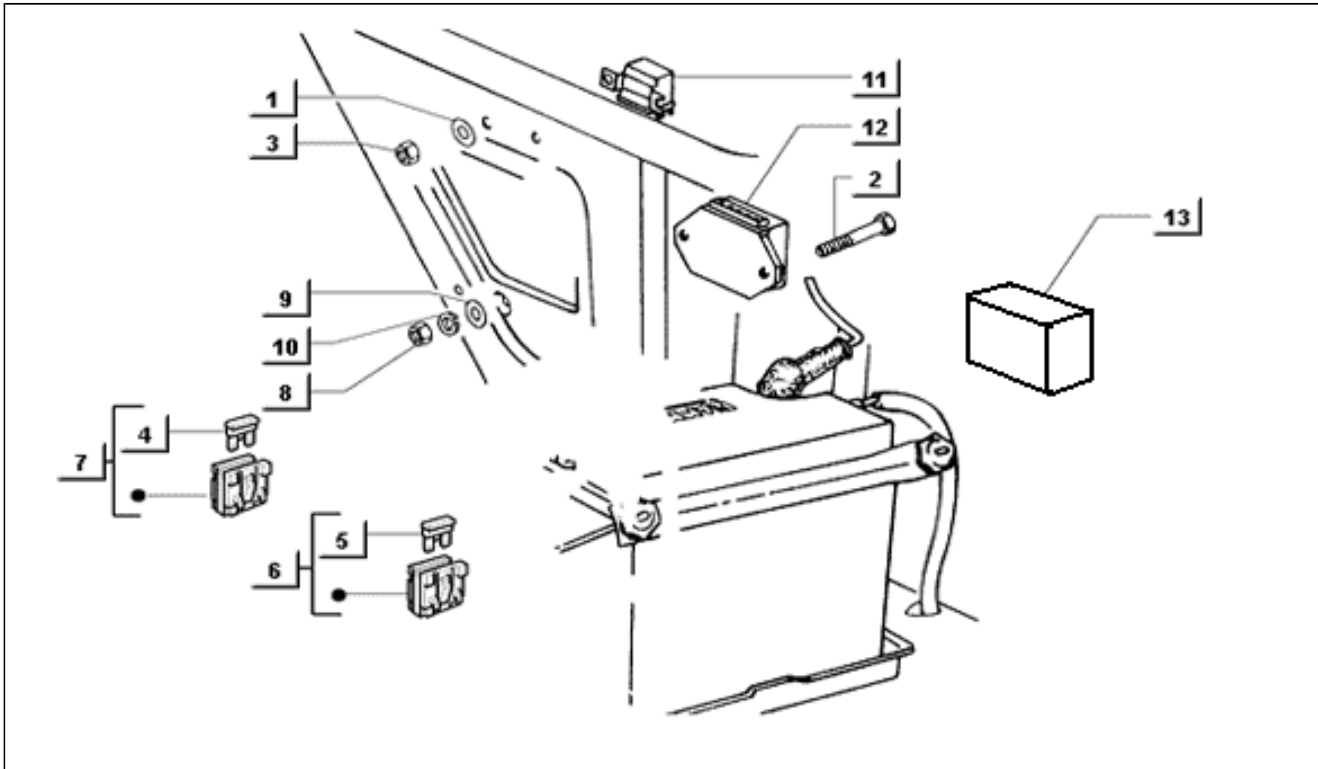
<b>Group</b>	Electrical equipment
<b>Code</b>	T77
<b>Description</b>	Windshield wiper
<b>Service</b>	1



Pos.	Code	Description	Qty	Variants
1	1649315	Not available	1	
1	582016	Wiper blade engine	1	
2	185352	Brush	1	
2	568790	Brush	1	
3	183275	Boom	1	
3	568787	Widescreen wiper arm	1	
4	195366	Nut	1	
5	9356055014000	Screw	2	
6	565940	Ceiling bowl	1	
7	071633	Torpedo shaped lamp 12v-5w	1	
8	195367	Cap	1	

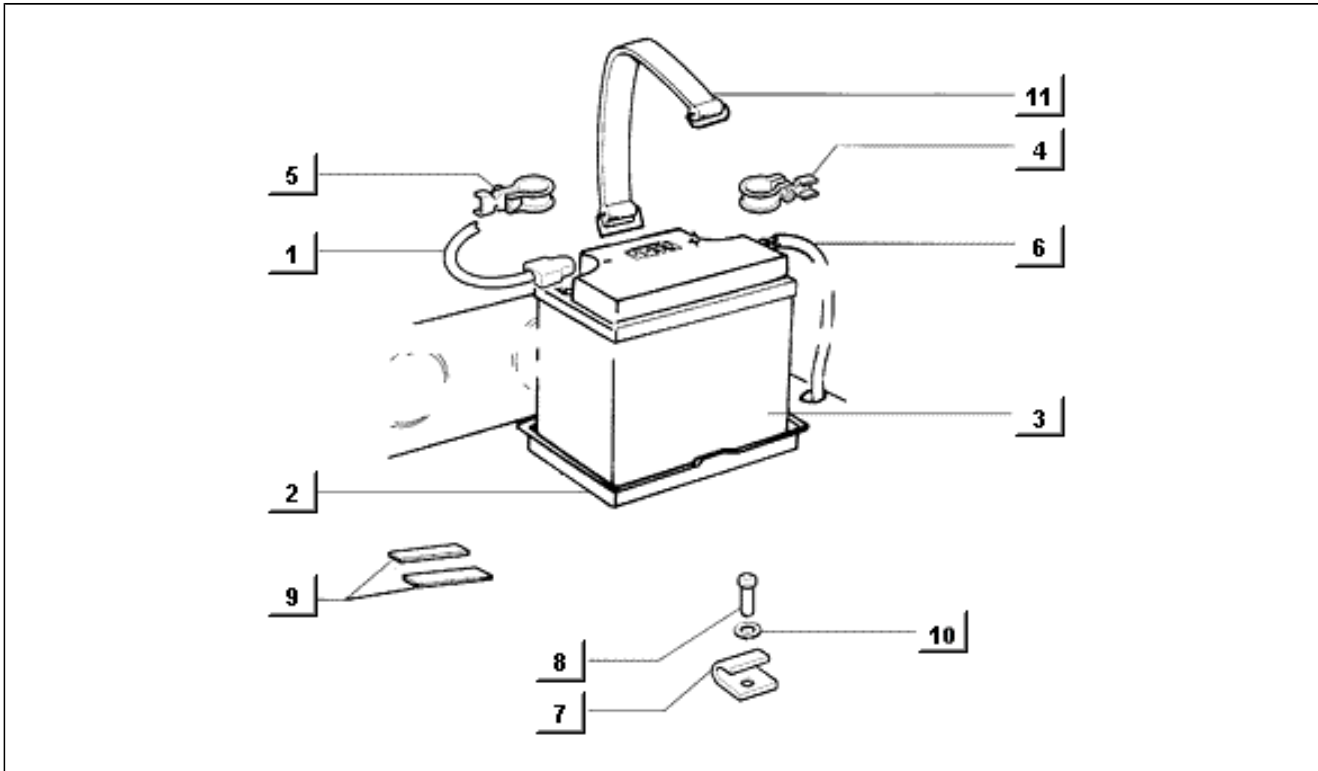


<b>Group</b>	Electrical equipment
<b>Code</b>	T78
<b>Description</b>	Electrical devices
<b>Service</b>	1



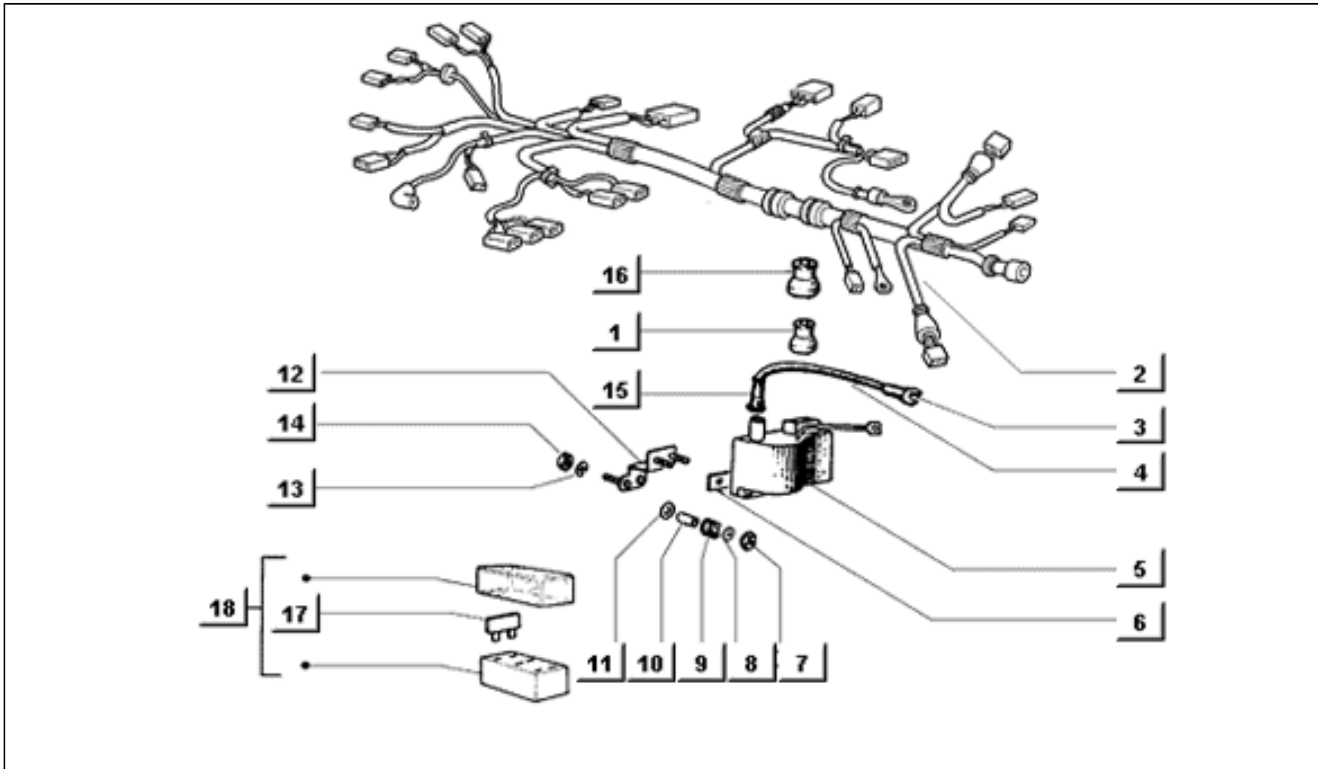
Pos.	Code	Description	Qty	Variants
1	016406	Spring washer 6,4x11,8x1	2	
2	031089	Hex screw M6x18	2	
3	020106	Nut M6	2	
4	252945	Fuse 7,5A	1	
5	292507	Fuse 10A	1	
6	580885	Fuse block	1	
7	580881	Fuse block	1	
8	020106	Nut M6	2	
9	012533	Notched washer 6,6x11x0	2	
10	003056	Flat washer 6,4x12x1	2	
11	583337	Rem. control switch 80a	1	
11	584319	Rem. control switch	1	
12	2180605	Regulator	1	
12	82587R	Voltage regulator	1	
13	580659	Unit turn signal lamps	1	

<b>Group</b>	Electrical equipment
<b>Code</b>	T79
<b>Description</b>	Battery
<b>Service</b>	1



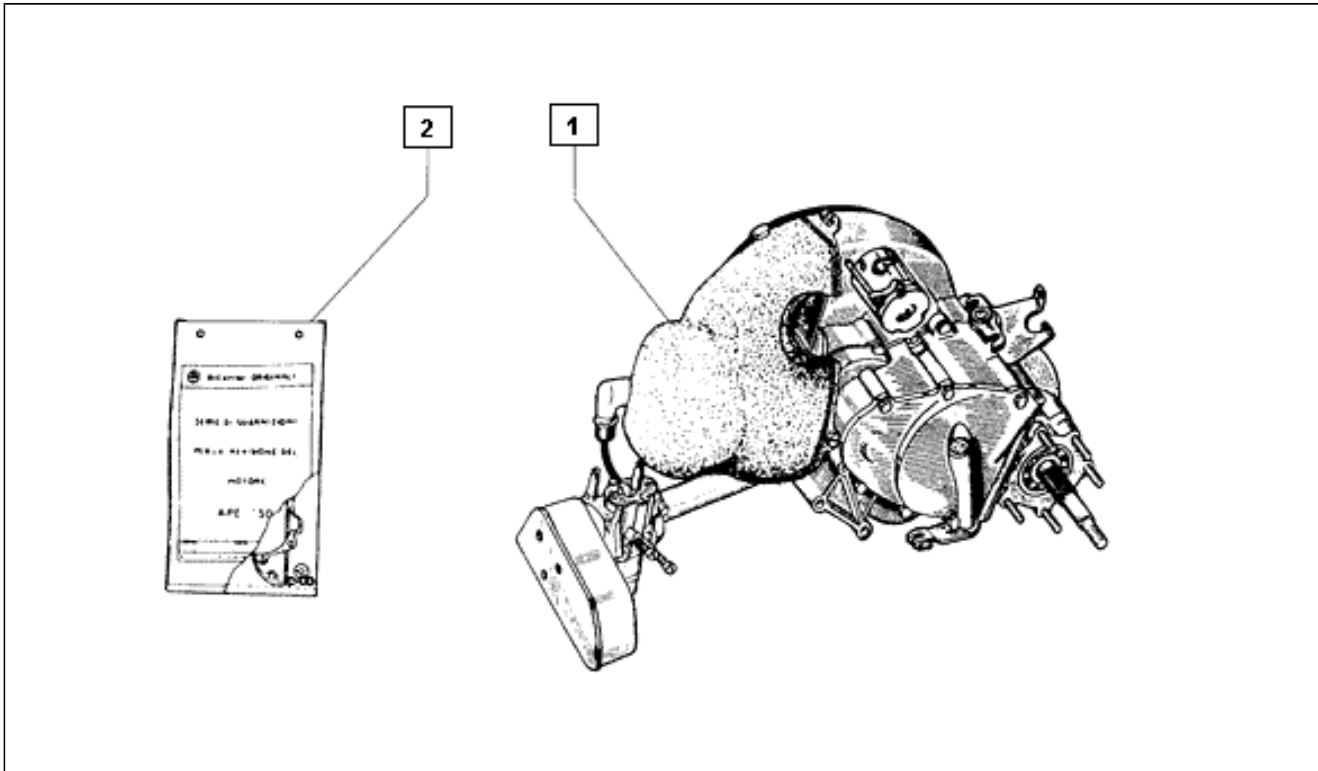
Pos.	Code	Description	Qty	Variants
1	CM061801	Battery cable	1	
1	CM061802	Battery cable	1	
2	567425	Basin	1	
2	567426	Basin	1	
3	154883	Battery	1	
3	2188235	Battery	1	
3	290655	Battery assembly	1	
3	584810	Battery 12V-9Ah	1	
4	581208	Terminal	1	
5	581209	Terminal	1	
6	580977	Breather pipe	1	
7	567424	Plate	1	
8	297791	Rivet	1	
9	260231	Gasket	1	
10	013755	Washer	1	
11	090854	Strip	1	
11	900411945000	Bolt	1	

<b>Group</b>	Electrical equipment
<b>Code</b>	T80
<b>Description</b>	Cable harness - electronic ignition device
<b>Service</b>	1



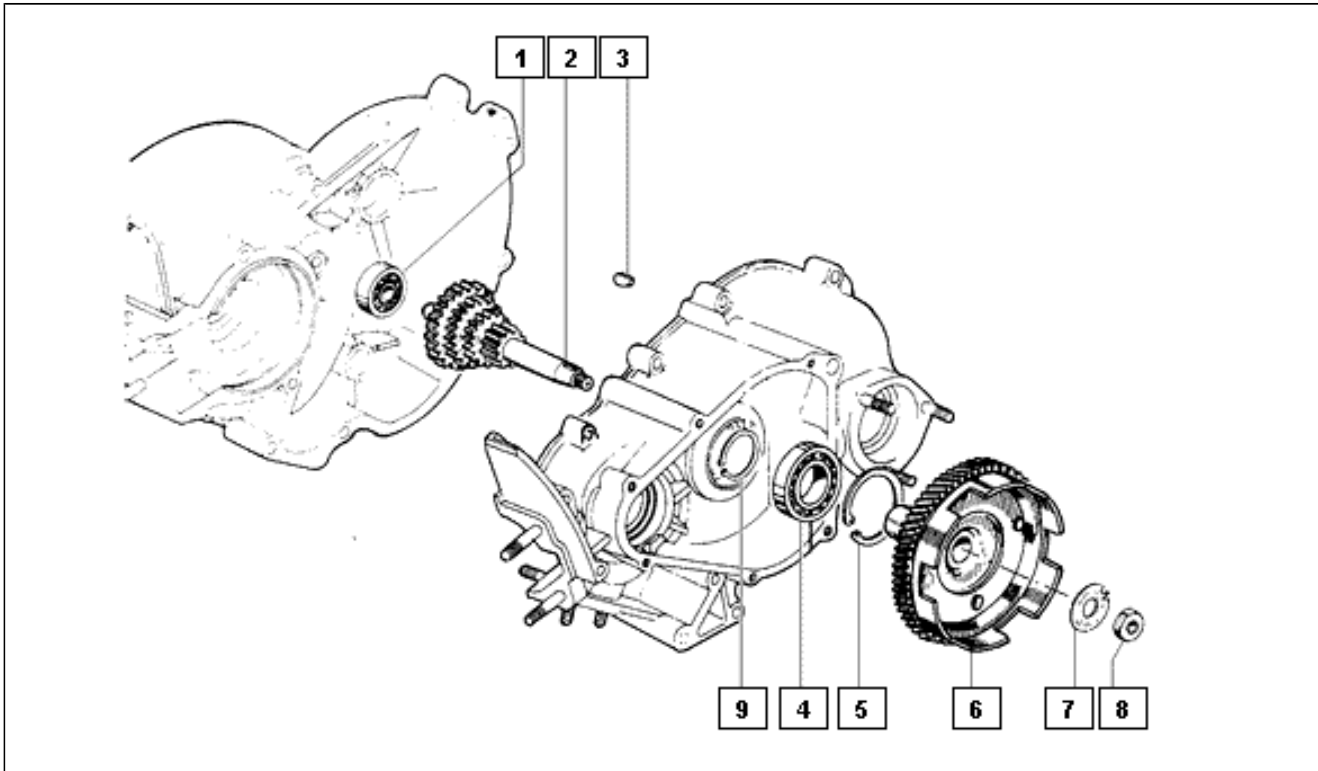
Pos.	Code	Description	Qty	Variants
1	218988	Spring cap	1	
2	CM061701	Cable harness	1	
2	CM061702	Cable harness	1	
2	CM061703	Cable harness	1	
2	CM062001	Cable harness	1	
2	CM062002	Cable harness	1	
2	CM062003	Cable harness	1	
3	127966	Terminal	1	
4	080341	HT wire	1	
5	2441285	Electr. ignition	1	
6	140617	Plate	1	
7	020106	Nut M6	2	
8	016406	Spring washer 6,4x11,8x1	2	
9	401605	Drift	2	
10	401606	Bush	2	
11	013880	Flat washer 16x6,5x1,5	2	
12	217292	Clamp	1	
13	016406	Spring washer 6,4x11,8x1	2	
14	020106	Nut M6	2	
15	231571	Insulating cap	1	
16	581207	Insulating cap	1	
17	252945	Fuse 7,5A	1	
18	580962	Fuse block	1	

<b>Group</b>	Engine
<b>Code</b>	T1
<b>Description</b>	Engine, assy
<b>Service</b>	1



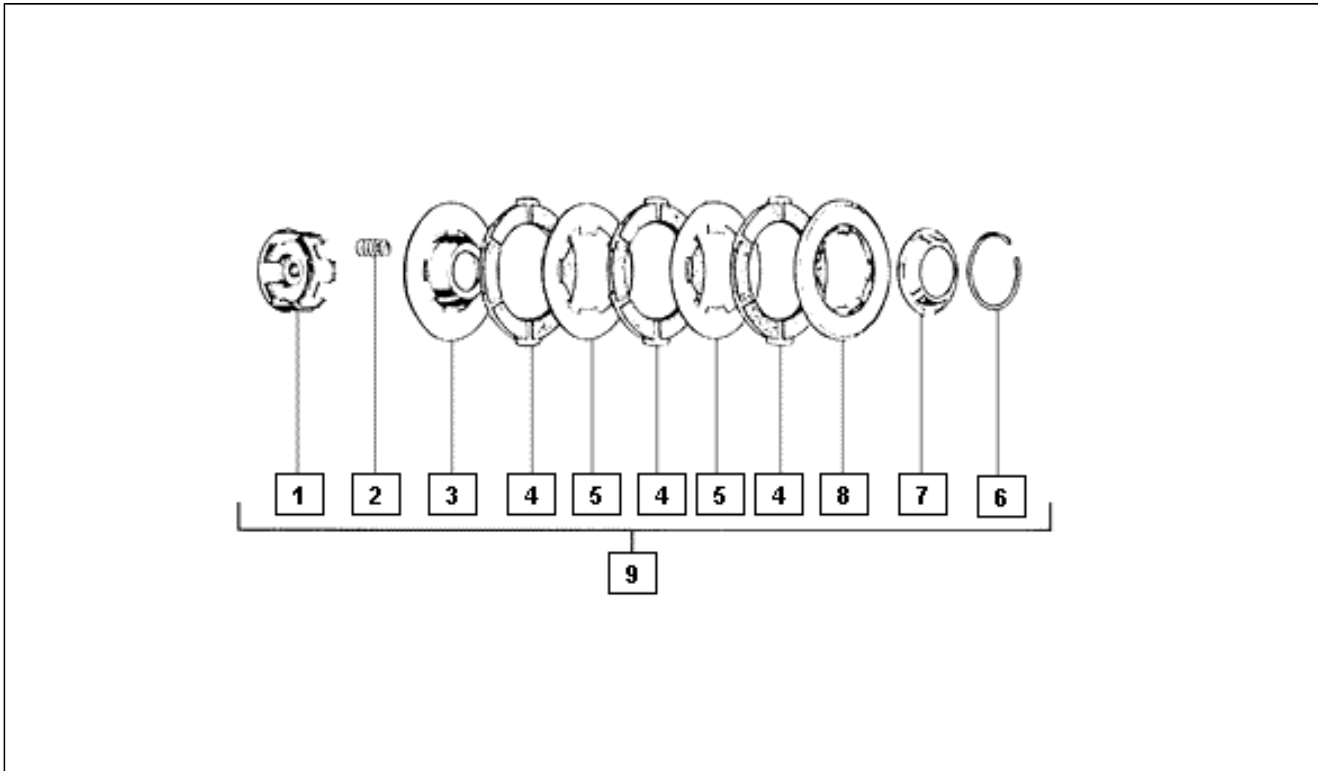
Pos.	Code	Description	Qty	Variants
1	4863805	Ape 50 rs engine	1	
1	4875405	Ape 50 engine	1	
1	825772	Engine assy	1	
1	825773	Engine assy	1	
2	493537	KIT GUARNIZ**	1	

<b>Group</b>	Engine
<b>Code</b>	T10
<b>Description</b>	Cluster gear - helical gear
<b>Service</b>	1



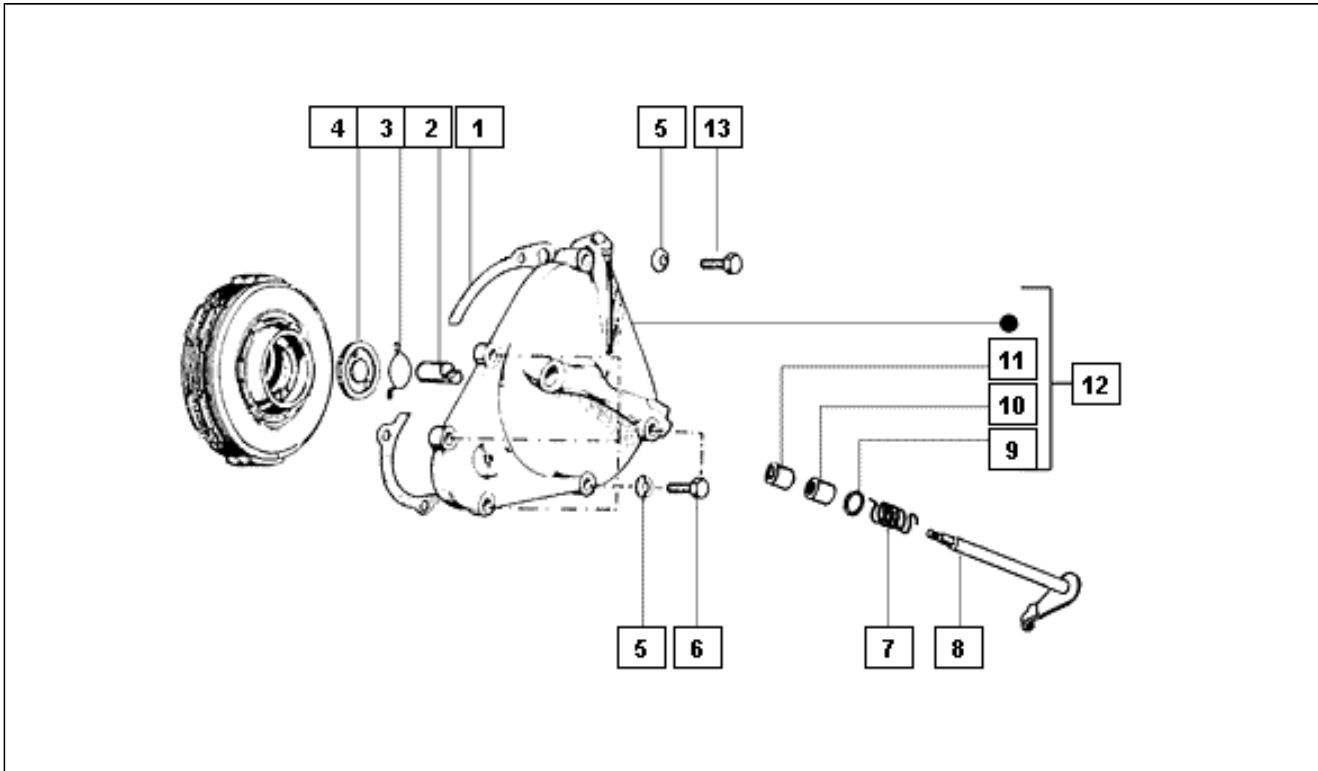
Pos.	Code	Description	Qty	Variants
1	007035	Bearing	1	
2	1250835	Multiple gear teeth	1	
3	011753	Transmission key	1	
4	007130	Bearing	1	
5	006647	Circlip	1	
6	4363955	Helical gear teeth	1	
7	244297	Washer	1	
8	001508	Nut	1	
9	006425	Ring	1	

<b>Group</b>	Engine
<b>Code</b>	T11
<b>Description</b>	Clutch
<b>Service</b>	1



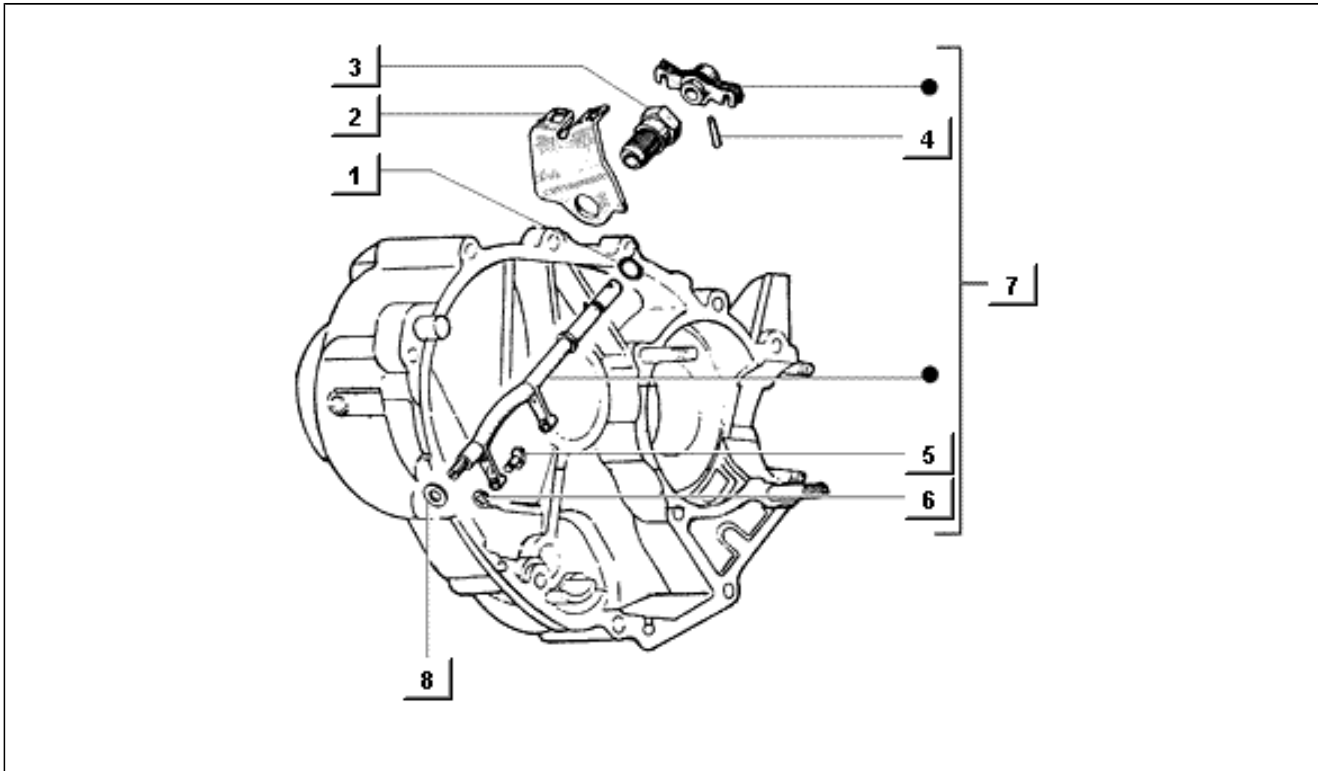
Pos.	Code	Description	Qty	Variants
1	2898776	Drum	1	
2	289613	Spring	6	
3	2860135	Deduction collar	1	
4	2859741	Driving clutch disc	3	
5	2860144	Driven clutch disc	2	
6	286019	Circlip	1	
7	286018	Container ring	1	
8	2862975	Collar cup	1	
9	2898935	Clutch assy	1	

<b>Group</b>	Engine
<b>Code</b>	T12
<b>Description</b>	Clutch cover
<b>Service</b>	1



Pos.	Code	Description	Qty	Variants
1	487391	Gasket	1	
2	286305	Pin	1	
3	286406	Ring	1	
4	2860245	Clutch collar	1	
5	277916	Locating dowel	2	
6	414837	Screw w/ flange	6	
7	239275	Spring	1	
8	288507	Lever	1	
9	006710	Gasket	1	
10	286101	Drawn cap	1	
11	165945	Drawn cap	1	
12	486266	Cover	1	
13	030050	Screw	1	

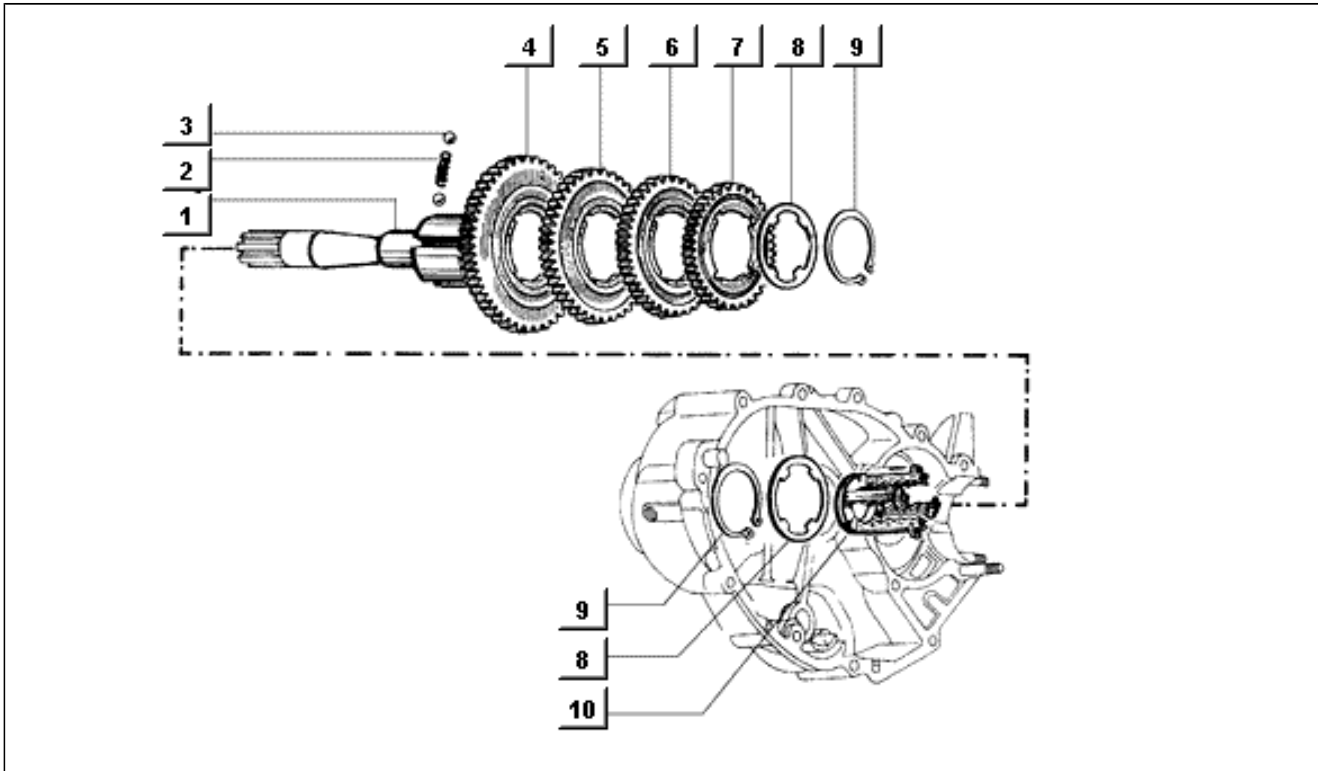
<b>Group</b>	Engine
<b>Code</b>	T13
<b>Description</b>	Gearshift fork
<b>Service</b>	1



Pos.	Code	Description	Qty	Variants
1	006706	Gasket	1	
2	116379	Housing	1	
3	116378	Bush	1	
4	487763	Pin	1	
5	0789454	Sliding block	2	
6	005962	Circlip	2	
7	1163764	Front fork	1	
7	1163765	Gearshift bracket	1	
8	078597	Spring washer	1	

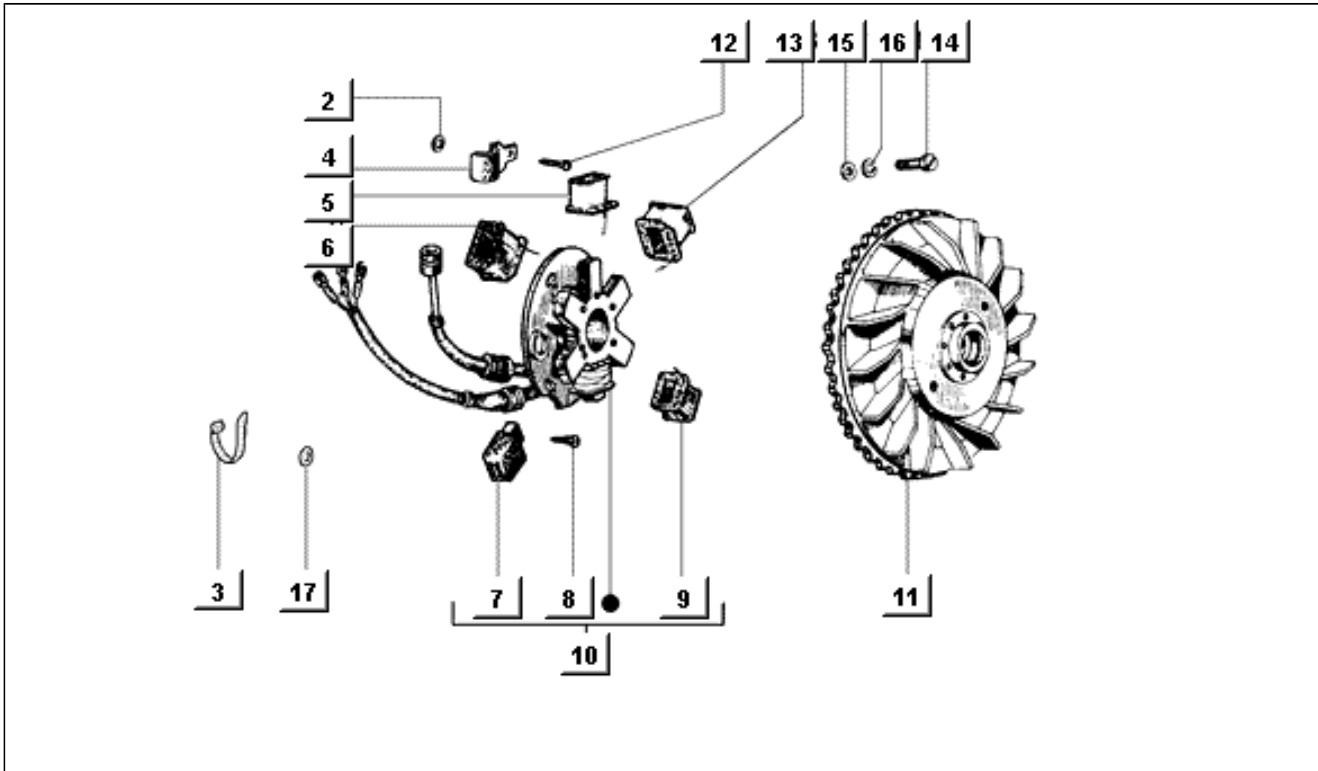


<b>Group</b>	Engine
<b>Code</b>	T14
<b>Description</b>	Gear group
<b>Service</b>	1



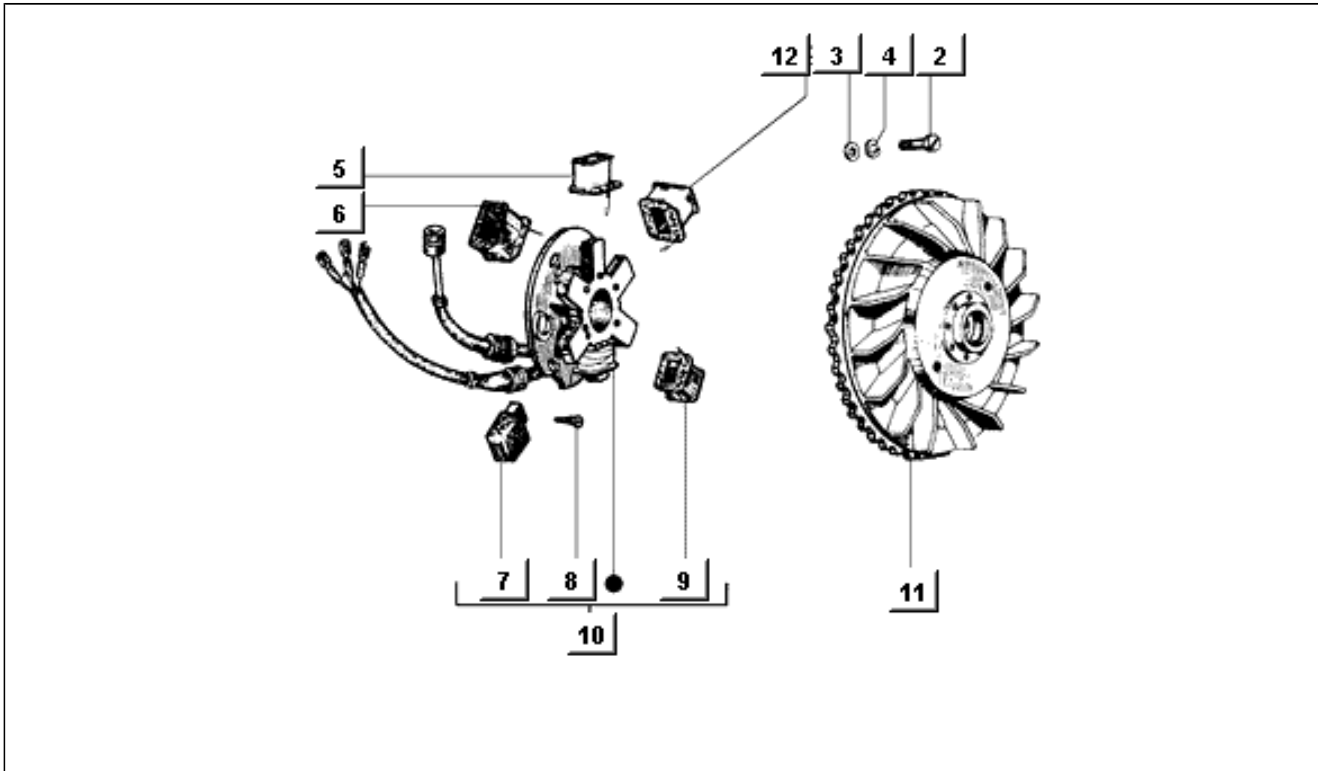
Pos.	Code	Description	Qty	Variants
1	2425815	Shaft engine	1	
2	150110	Spring	1	
3	006379	Ball	2	
4	1654575	First speed gear	1	
5	1654495	2nd speed gear	1	
6	1654505	3th speed gear	1	
7	285422	Fourth speed gear	1	
8	138393	Ring	2	
8	165415	Ring	2	
8	165416	Ring	2	
8	165417	Ring	2	
8	165418	Ring	2	
9	009101	Ring	2	
10	1349026	Jack budding	1	

<b>Group</b>	Engine
<b>Code</b>	T15
<b>Description</b>	Flywheel magneto
<b>Service</b>	1



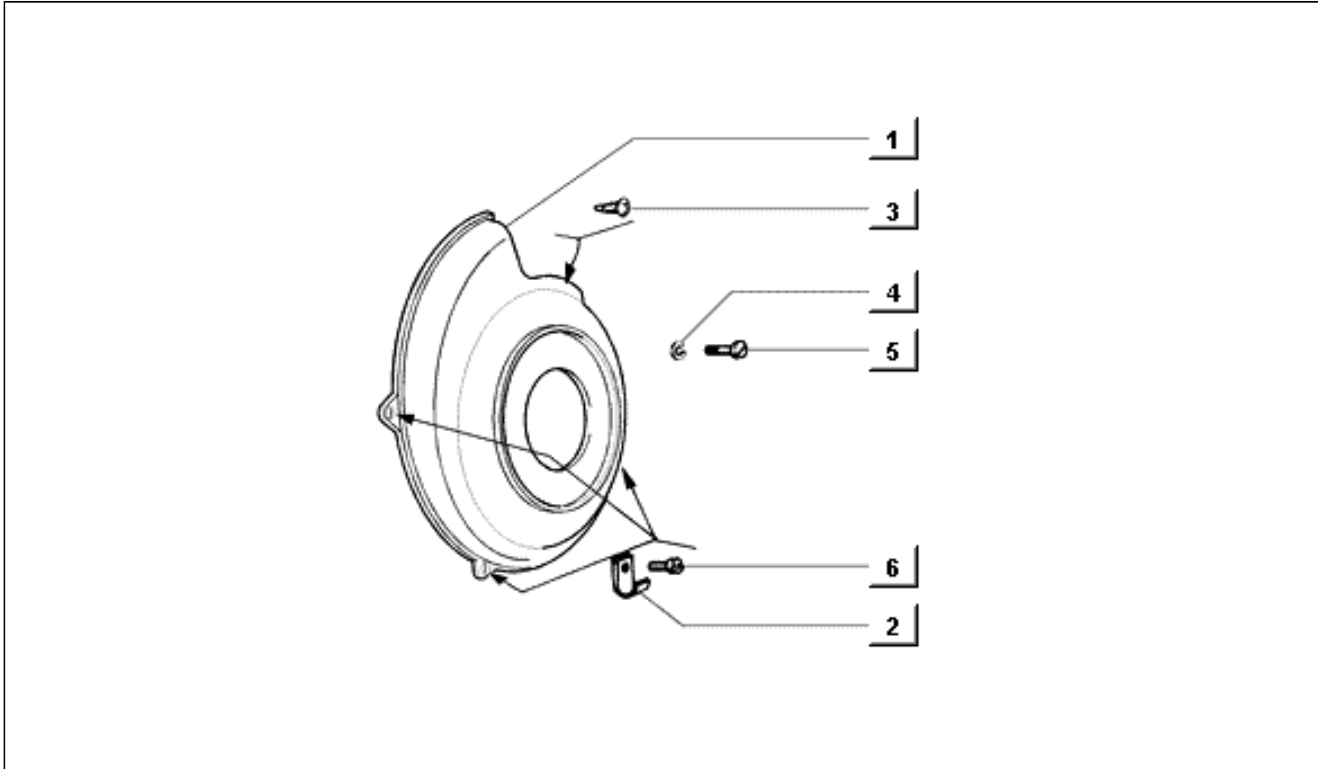
Pos.	Code	Description	Qty	Variants
2	016405	Spring washer	1	
3	145298	Fascetta a strappo	1	
4	216142	Strap	1	
5	217219	Coil	1	
6	217220	Coil	1	
7	196549	Pick-up	1	
8	015737	Screw	1	
9	217221	Coil	1	
10	199500	Coil support	1	
11	2351043	Rotor with fan	1	
12	031056	Screw	1	
13	217222	Coil	1	
14	000292	Screw	3	
15	090045	Washer	3	
16	006965	Washer 5.3x10x10	3	
17	0030535	Washer	1	

<b>Group</b>	Engine
<b>Code</b>	T15/A
<b>Description</b>	Magneto flywheel (cross version)
<b>Service</b>	1



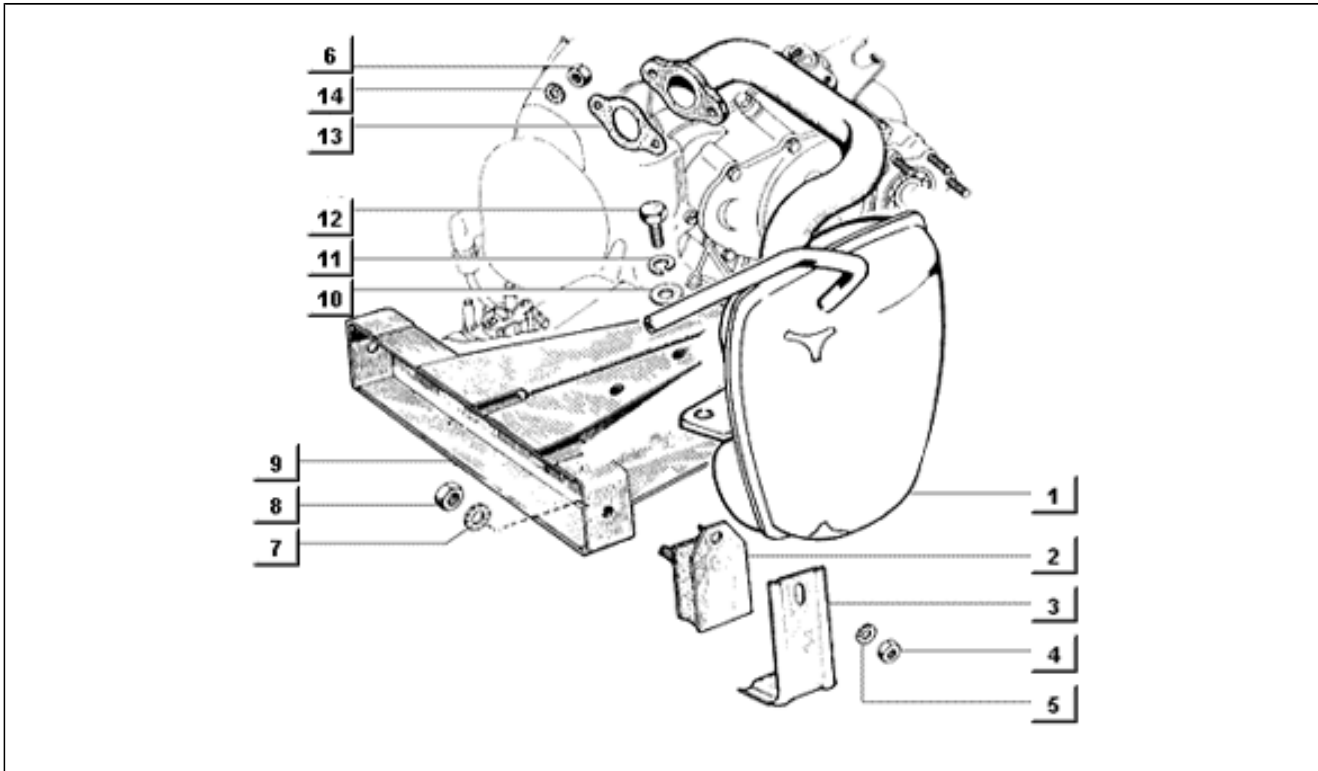
Pos.	Code	Description	Qty	Variants
1	256308	Cdi magneto assy	1	
2	015585	Self-tapping screw	3	
3	090045	Washer	3	
4	006965	Washer 5.3x10x10	3	
5	2310955	Coil	1	
6	218088	Coil	1	
7	196549	Pick-up	1	
8	015737	Screw	1	
9	2310955	Coil	1	
10	256309	Stator assy	1	
11	2351043	Rotor with fan	1	
12	193878	Coil	1	

<b>Group</b>	Engine
<b>Code</b>	T16
<b>Description</b>	Scroll cover
<b>Service</b>	1



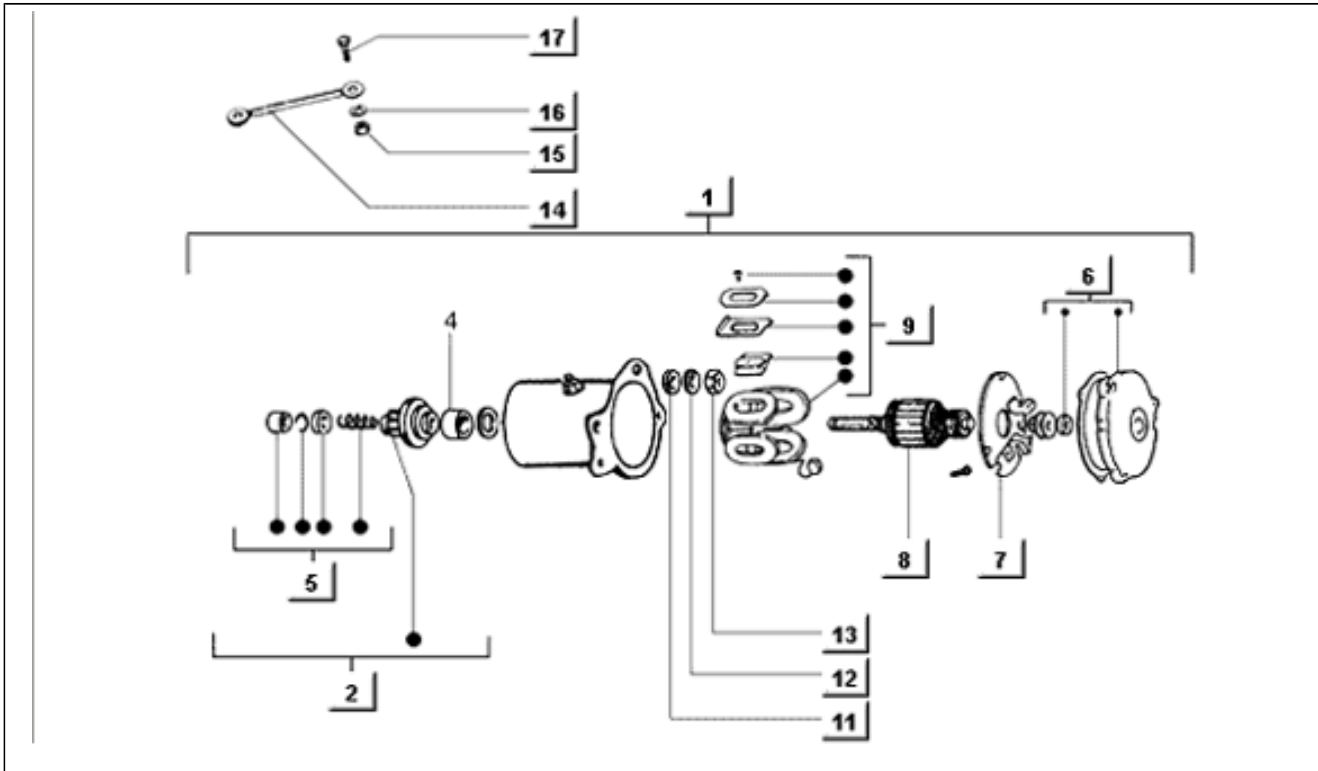
Pos.	Code	Description	Qty	Variants
1	487468	Cover	1	
2	118490	Strap	1	
3	008265	Screw	1	
4	014744	Screw	2	
5	078307	Washer	3	
6	018509	Screw	3	

<b>Group</b>	Engine
<b>Code</b>	T17
<b>Description</b>	En gine bracket - silencer
<b>Service</b>	1



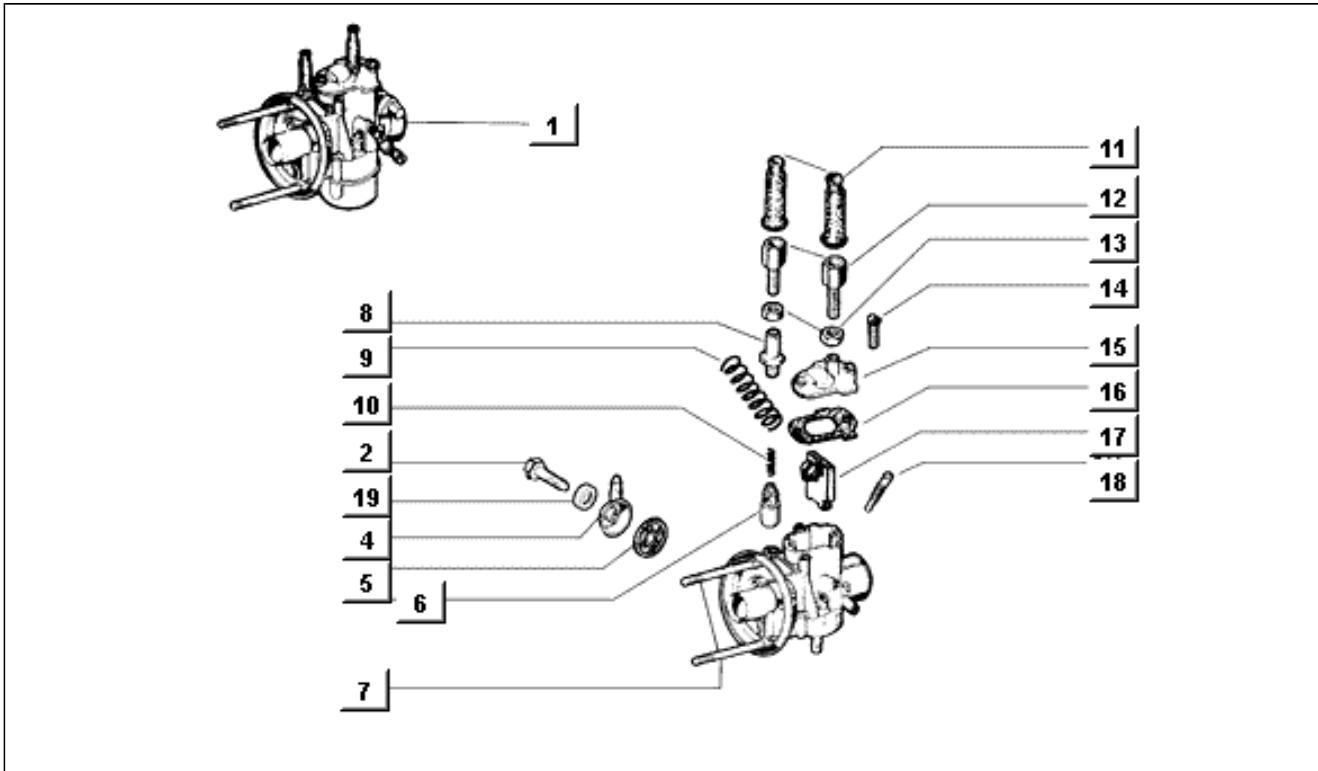
Pos.	Code	Description	Qty	Variants
1	487455	Error	1	
1	830451	Exhaust pipe	1	
1	830452	Exhaust pipe	1	
1	840078	Silencer kat	1	
2	127350	Support	2	
3	116869T	Clamp	2	
4	020110	Nut	2	
5	012535	Washer	2	
6	020106	Nut M6	2	
7	012535	Washer	2	
8	020110	Nut	2	
9	2411495	Bearing motor assembly	1	
10	013861	Plain washer 20x8,2x2,5	2	
11	016408	Spring washer 13,75x8,15x4,5	2	
12	031116	Hex socket screw	2	
13	288837	Gasket	1	
14	012533	Notched washer 6,6x11x0	2	

<b>Group</b>	Engine
<b>Code</b>	T18
<b>Description</b>	Starting motor
<b>Service</b>	1



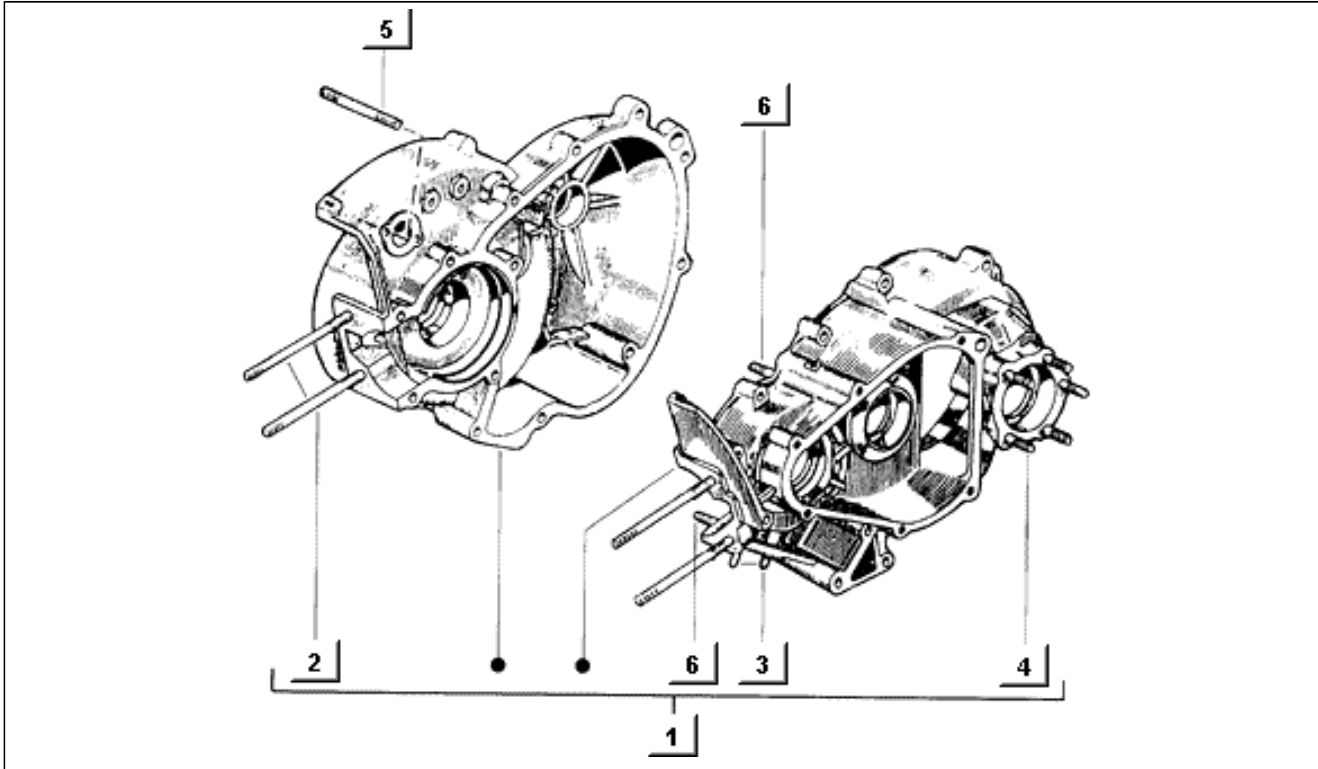
Pos.	Code	Description	Qty	Variants
1	179116	Starter motor	1	
2	248293	Pinion	1	
4	179754	Bearing	1	
5	249482	Set small items	1	
6	179753	Cover	1	
7	179755	Ring	1	
8	179757	Rotor	1	
9	179756	Generator field	1	
11	003056	Flat washer 6,4x12x1	2	
12	016406	Spring washer 6,4x11,8x1	2	
13	020106	Nut M6	2	
14	218631	Wire	1	
15	020105	Nut	1	
16	012532	Washer 5,3x10x0	2	
17	031056	Screw	1	

<b>Group</b>	Engine
<b>Code</b>	T19
<b>Description</b>	Carburettor
<b>Service</b>	1



Pos.	Code	Description	Qty	Variants
1	825801	Carburettor	1	
1	826032	Carburetor assembly	1	
1	834870	Carburettor	1	
2	085294	Screw	1	
4	152067	Sparkplug cap	1	
5	099315	Fuel filter	1	
6	098149	Valve	1	
7	118009	Stud bolt	2	
8	152077	Plug	1	
9	098130	Spring	1	
10	098146	Spring	1	
11	127050	Cap	2	
12	024638	Screw	2	
13	120073	Nut	2	
14	113906	Screw	1	
15	196693	Cover	1	
16	196694	Gasket	1	
17	196380	Gas valve	1	
18	244708	Idle jet	1	
18	825054	Idle jet	1	
19	085288	Gasket	1	

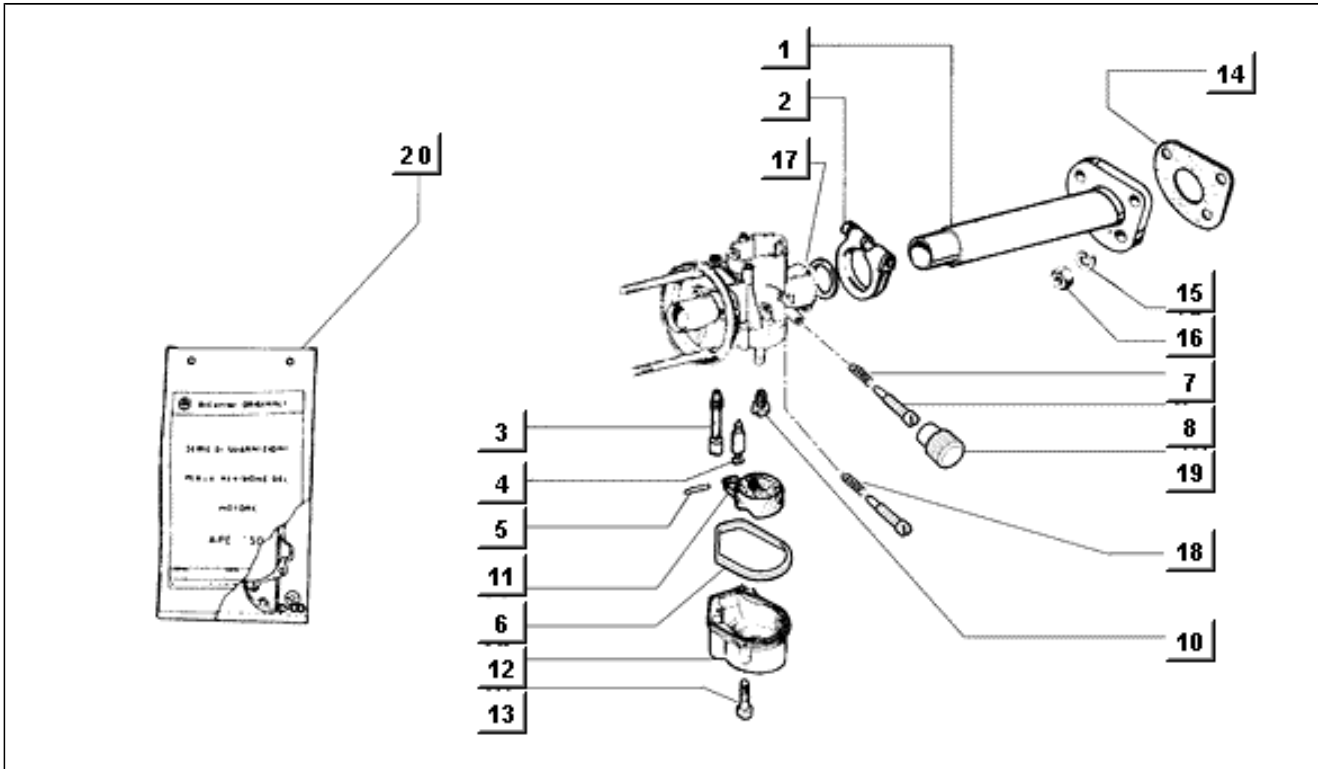
<b>Group</b>	Engine
<b>Code</b>	T2
<b>Description</b>	Cranckcase, assy
<b>Service</b>	1



Pos.	Code	Description	Qty	Variants
1	4874495	Carter cpl. per.	1	
2	000480	Stud bolt	4	
3	000584	Stud bolt	3	
4	015584	Screw	5	
5	016036	Stud bolt	2	
6	004515	Stud bolt	2	

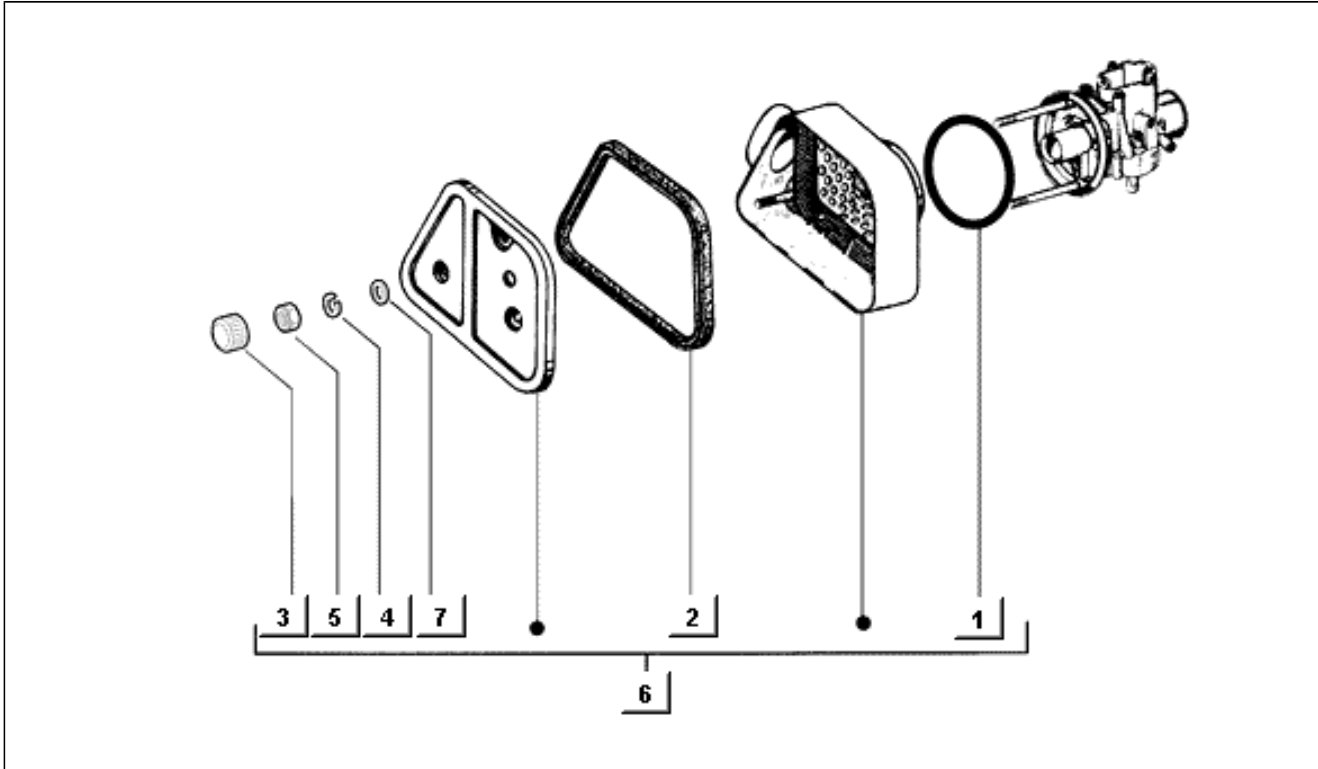


<b>Group</b>	Engine
<b>Code</b>	T20
<b>Description</b>	Carburettor
<b>Service</b>	1



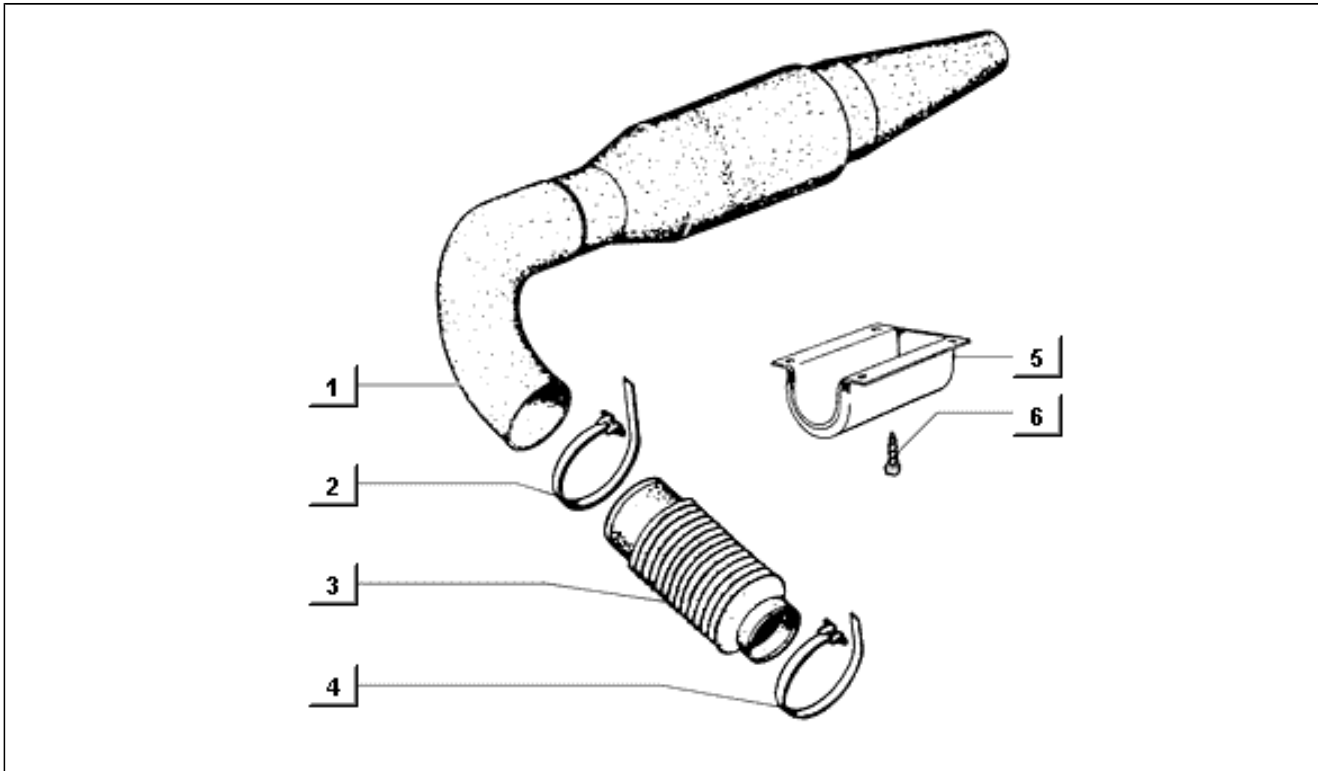
Pos.	Code	Description	Qty	Variants
1	286889	Union pipe	1	
2	140275	Ring	1	
3	098433	Jet	1	
4	247653	Jet Needle	1	
5	085291	Pin	1	
6	098148	Gasket	1	
7	098135	Spring	1	
8	240199	Screw	1	
9	245632	Screw	1	
10	083898	Jet	1	
11	482801	Float	1	
12	311277	Float chamber	1	
13	813176	Screw	2	
14	118751	Gasket	1	
15	007631	Washer	3	
16	020106	Nut M6	3	
17	245201	Gasket	1	
18	098130	Spring	1	
19	245633	Cap	1	
20	498347	Gasket set	1	

<b>Group</b>	Engine
<b>Code</b>	T21
<b>Description</b>	Air cleaner
<b>Service</b>	1



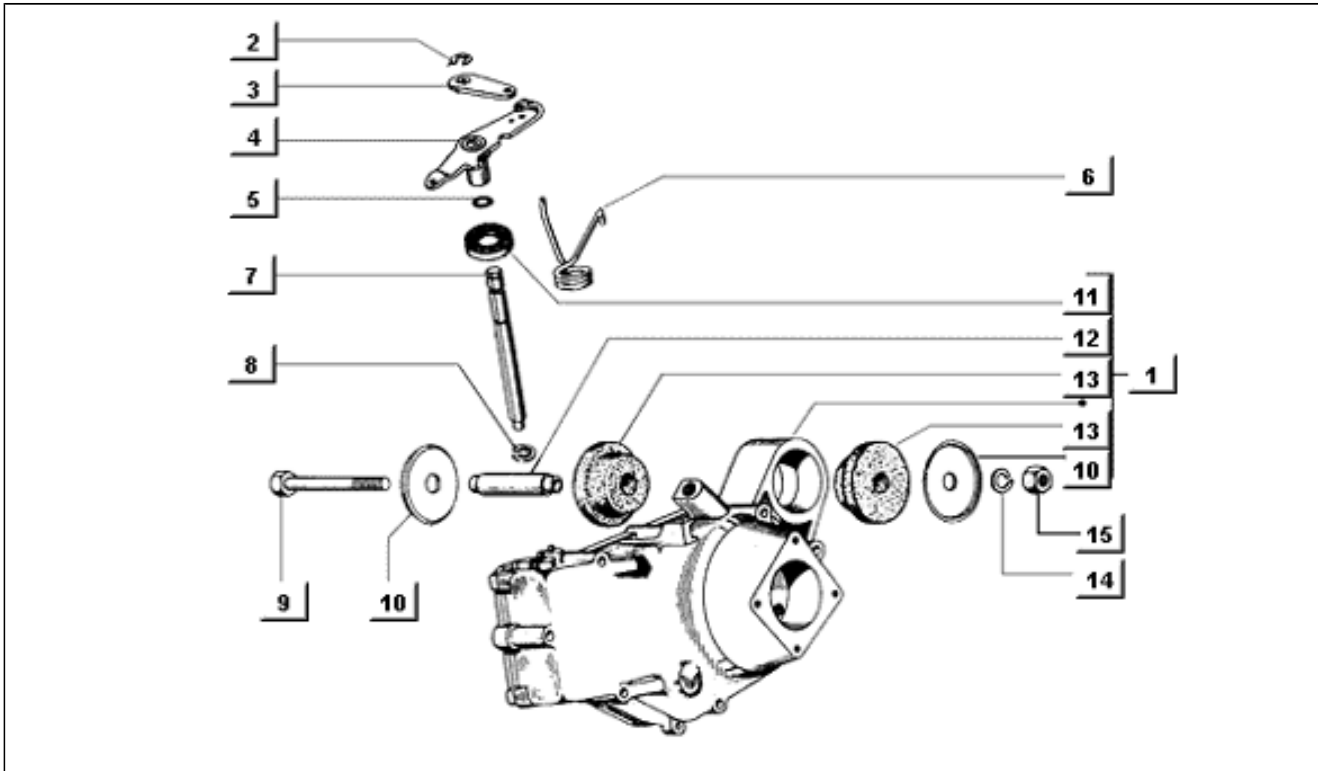
Pos.	Code	Description	Qty	Variants
1	295331	Gasket	1	
2	295331	Gasket	1	
3	087975	Plug	1	
4	006965	Washer 5.3x10x10	3	
5	020105	Nut	3	
6	260569	Air filter	1	
7	003055	Plain washer 5,4x10x0,8	3	

<b>Group</b>	Engine
<b>Code</b>	T22
<b>Description</b>	Air inlet pipe
<b>Service</b>	1



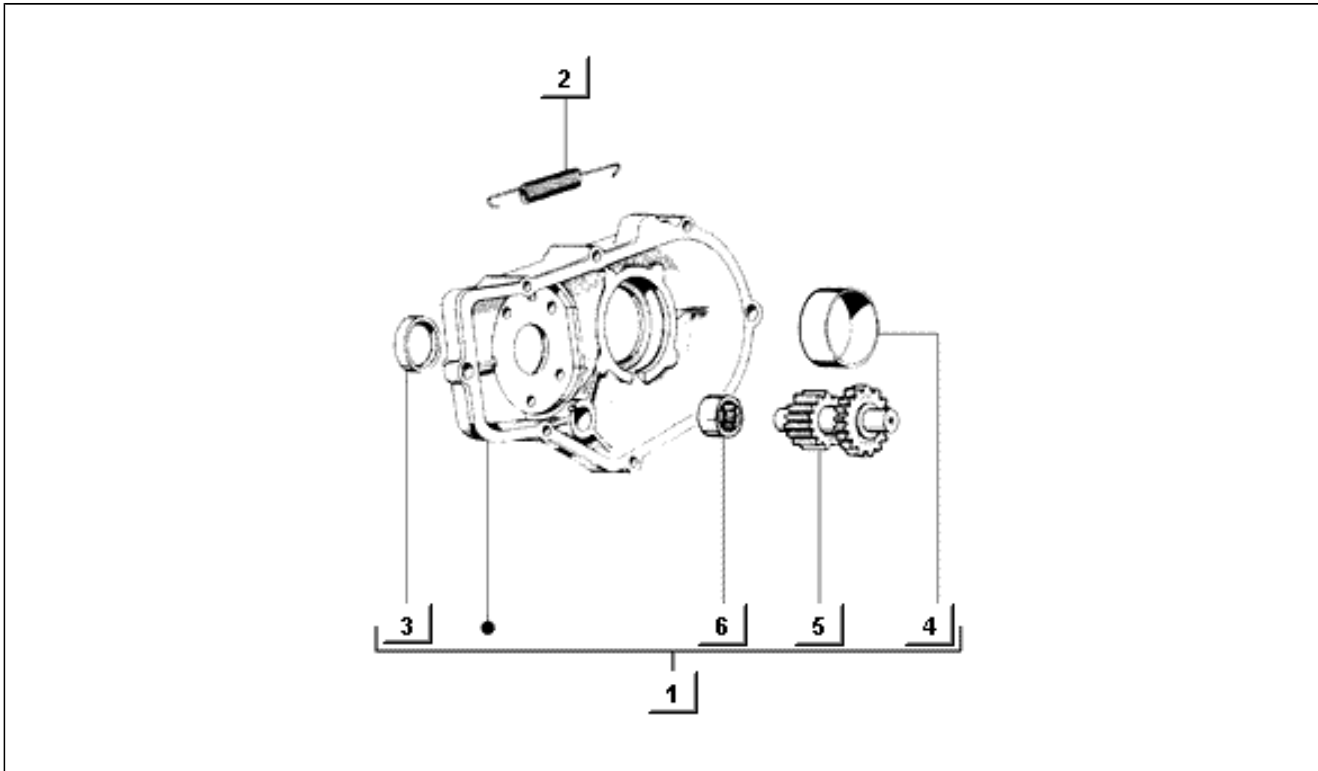
Pos.	Code	Description	Qty	Variants
1	234268	Union	1	
2	109960	Hose clamp	1	
3	119995	Pipe	1	
4	109960	Hose clamp	1	
5	243831	Bracket	1	
6	121668	Screw	4	

<b>Group</b>	Engine
<b>Code</b>	T23
<b>Description</b>	Differential case
<b>Service</b>	1



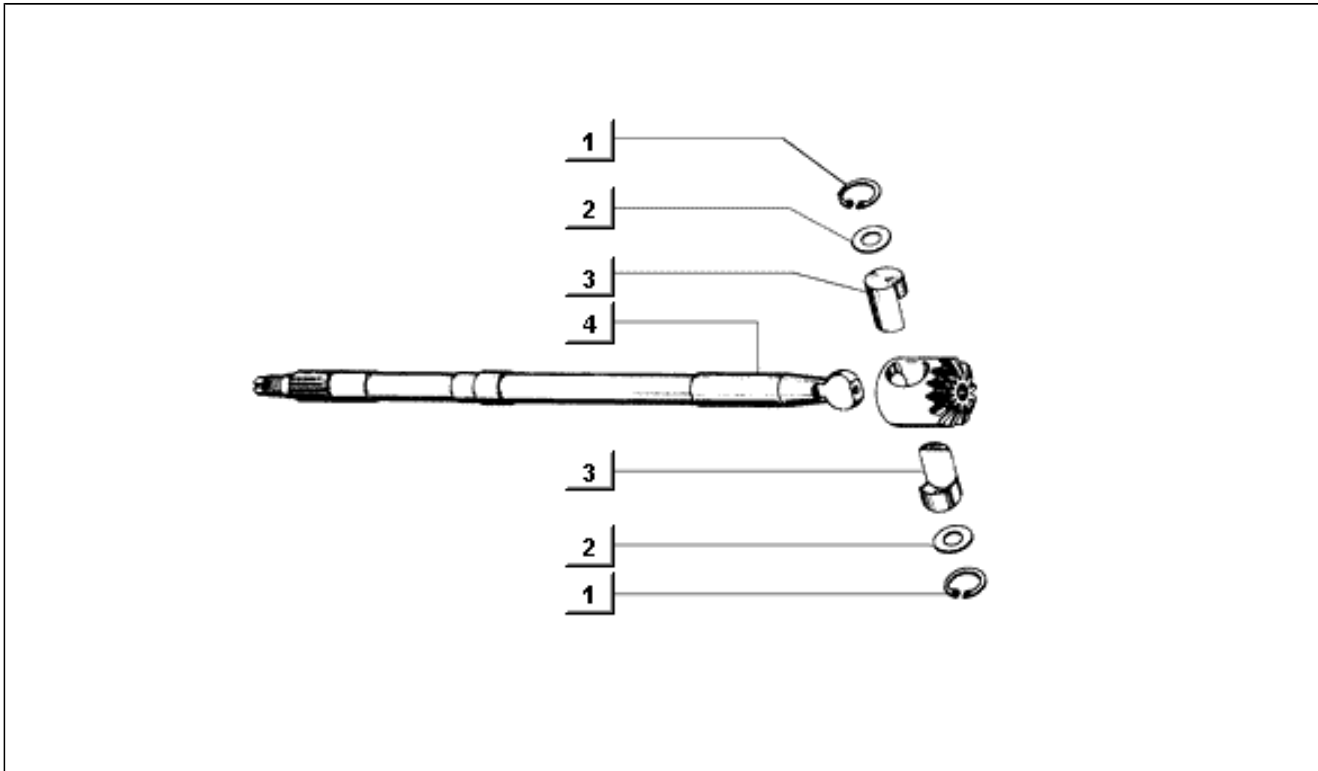
Pos.	Code	Description	Qty	Variants
1	2892325	Crankcase	1	
2	005965	Ring	2	
3	116693	Lever	1	
4	1170274	Lever w.p.i.	1	
5	006707	Gasket	1	
6	119344	Spring	1	
7	117024	Pin	1	
8	005955	Ring	1	
9	030104	Screw	1	
10	116737	Washer	2	
11	017019	Oil seal	1	
12	116742	Bush	1	
13	116736	Ring	2	
14	016410	Washer 17,6x11x2,5	1	
15	015252	Nut m10x1,5 h=8	1	

<b>Group</b>	Engine
<b>Code</b>	T24
<b>Description</b>	Differential case
<b>Service</b>	1



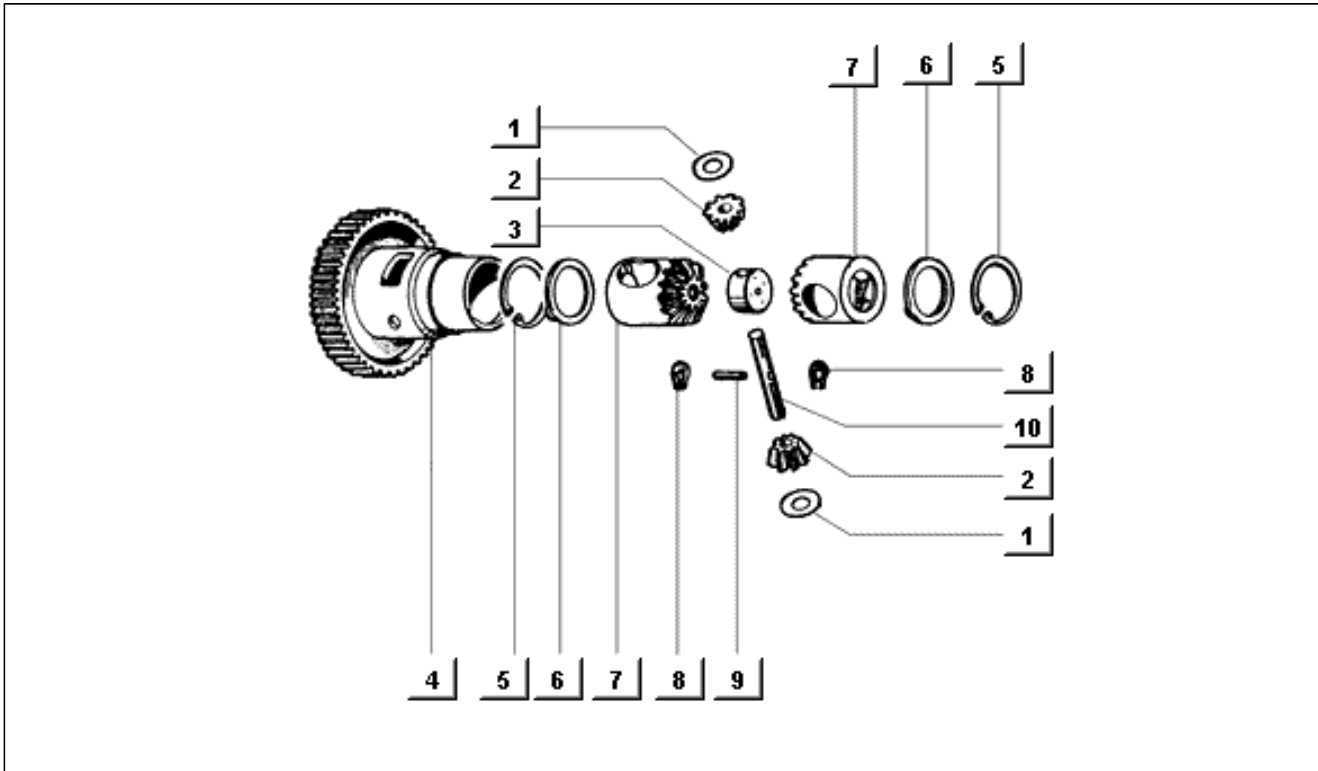
Pos.	Code	Description	Qty	Variants
1	2485145	Crankcase	1	
2	116695	Spring	1	
3	128217	Ring	1	
4	119981	Bush	1	
5	2855124	Full gear	1	
6	168407	Roller cage	1	

<b>Group</b>	Engine
<b>Code</b>	T25
<b>Description</b>	Axle-shaft
<b>Service</b>	1



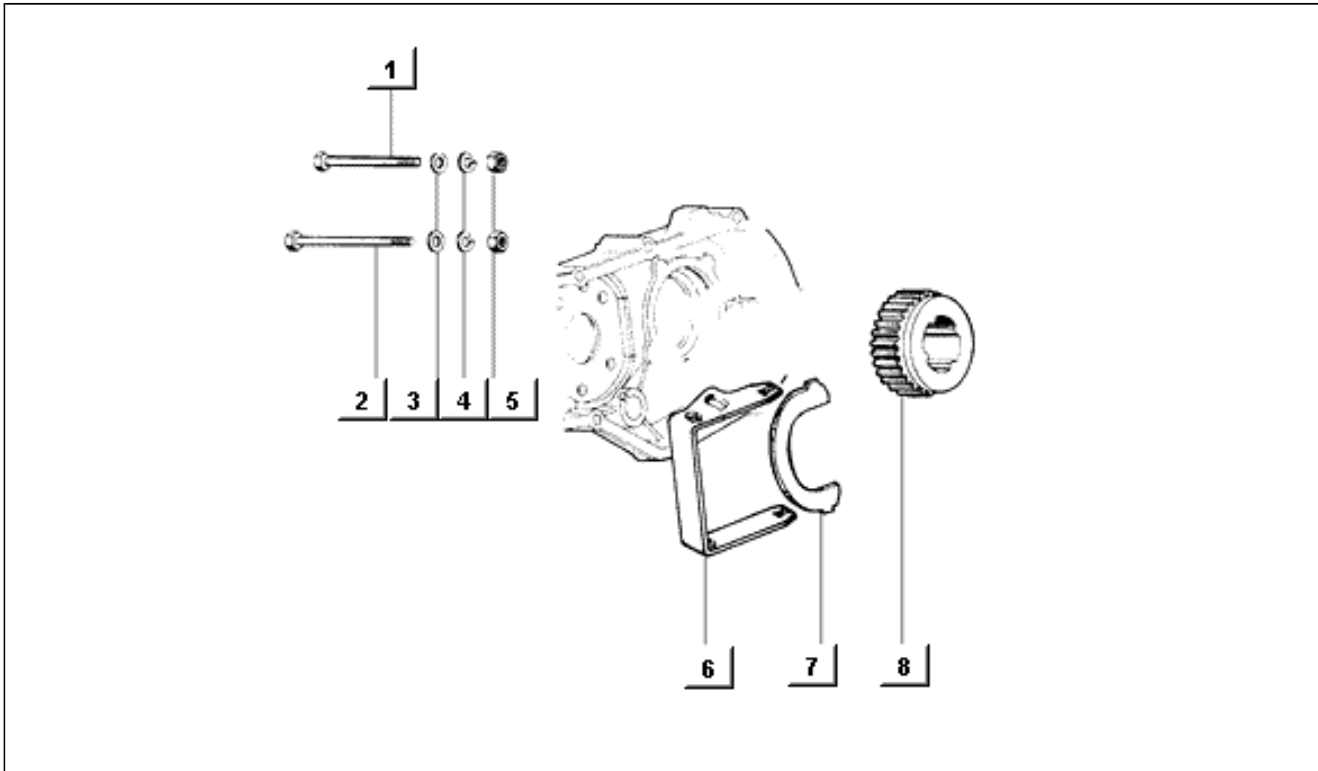
Pos.	Code	Description	Qty	Variants
1	006627	Circlip	2	
2	119801	Washer	2	
3	126283	Pin	2	
4	1368076	Axle shaft	2	

<b>Group</b>	Engine
<b>Code</b>	T26
<b>Description</b>	Differential
<b>Service</b>	1



Pos.	Code	Description	Qty	Variants
1	239911	Fifth wheel	2	
2	4344715	Gear	2	
3	116238	Spacer	1	
4	2854245	Differential case	1	
5	006646	Ring	2	
6	116241	Washer	2	
7	4344725	Planetary gear	2	
8	016708	Circlip	2	
9	116240	Pin	1	
10	1199855	Pin	1	

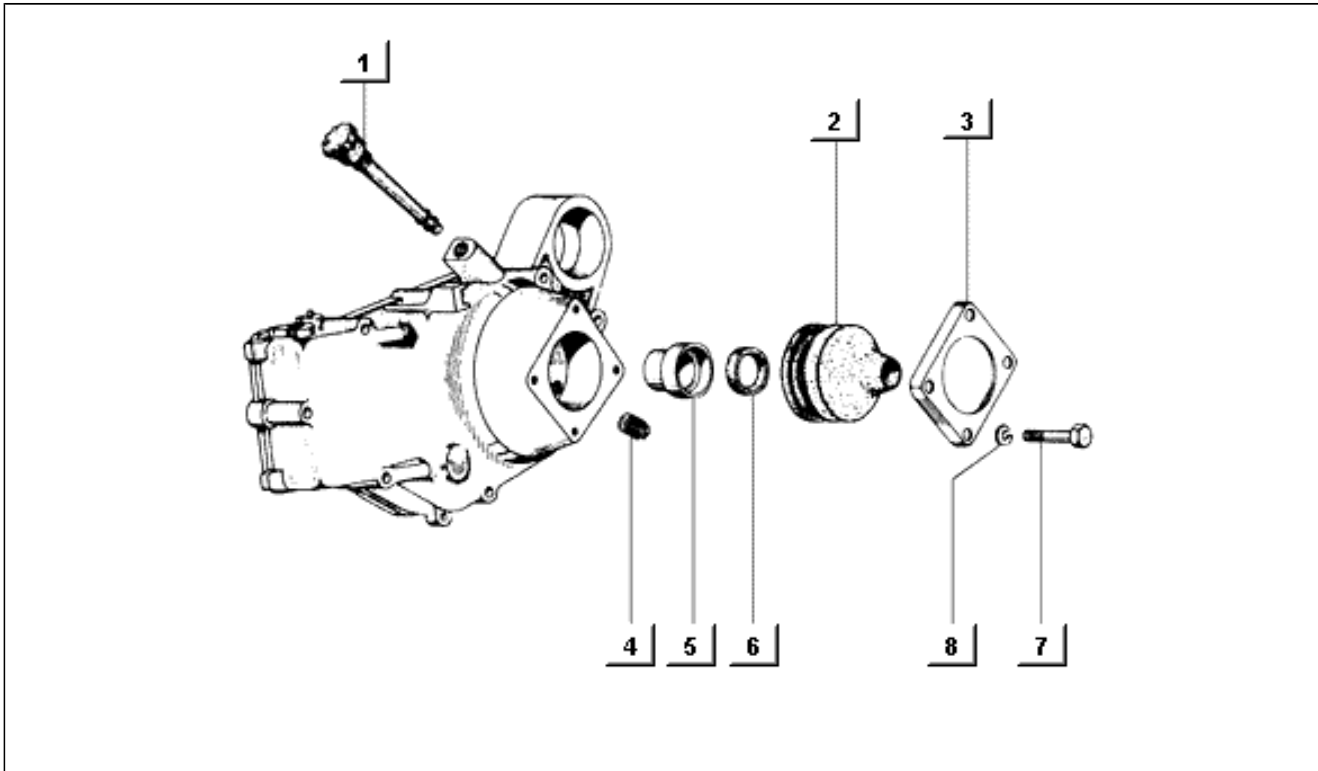
<b>Group</b>	Engine
<b>Code</b>	T27
<b>Description</b>	Sliding gear
<b>Service</b>	1



Pos.	Code	Description	Qty	Variants
1	030065	Screw	7	
2	030062	Screw	1	
3	003056	Flat washer 6,4x12x1	8	
4	016406	Spring washer 6,4x11,8x1	8	
5	020106	Nut M6	8	
6	116146	Front fork	1	
7	116147	Sliding block	1	
7	1161484	Ring nut	1	
8	2854215	Sliding pinion	1	

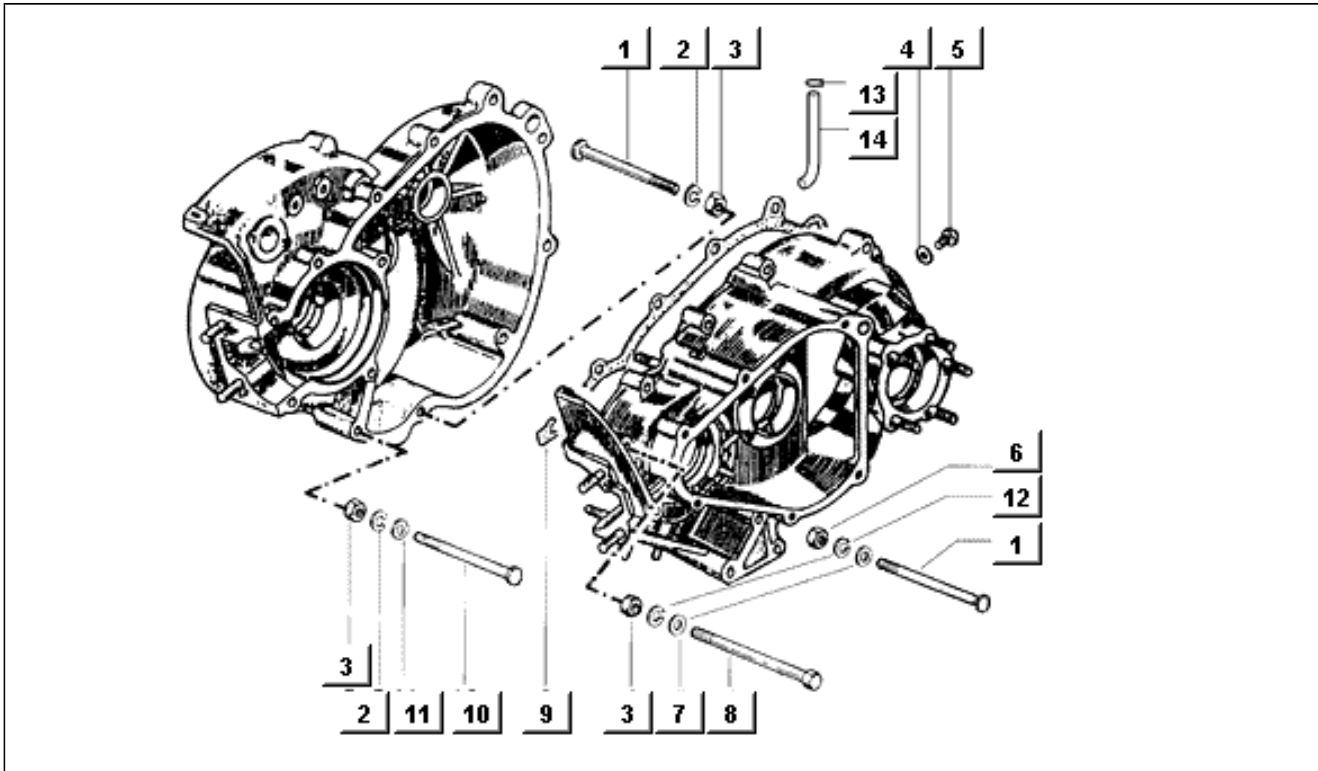


<b>Group</b>	Engine
<b>Code</b>	T28
<b>Description</b>	Oil seal boot assy
<b>Service</b>	1



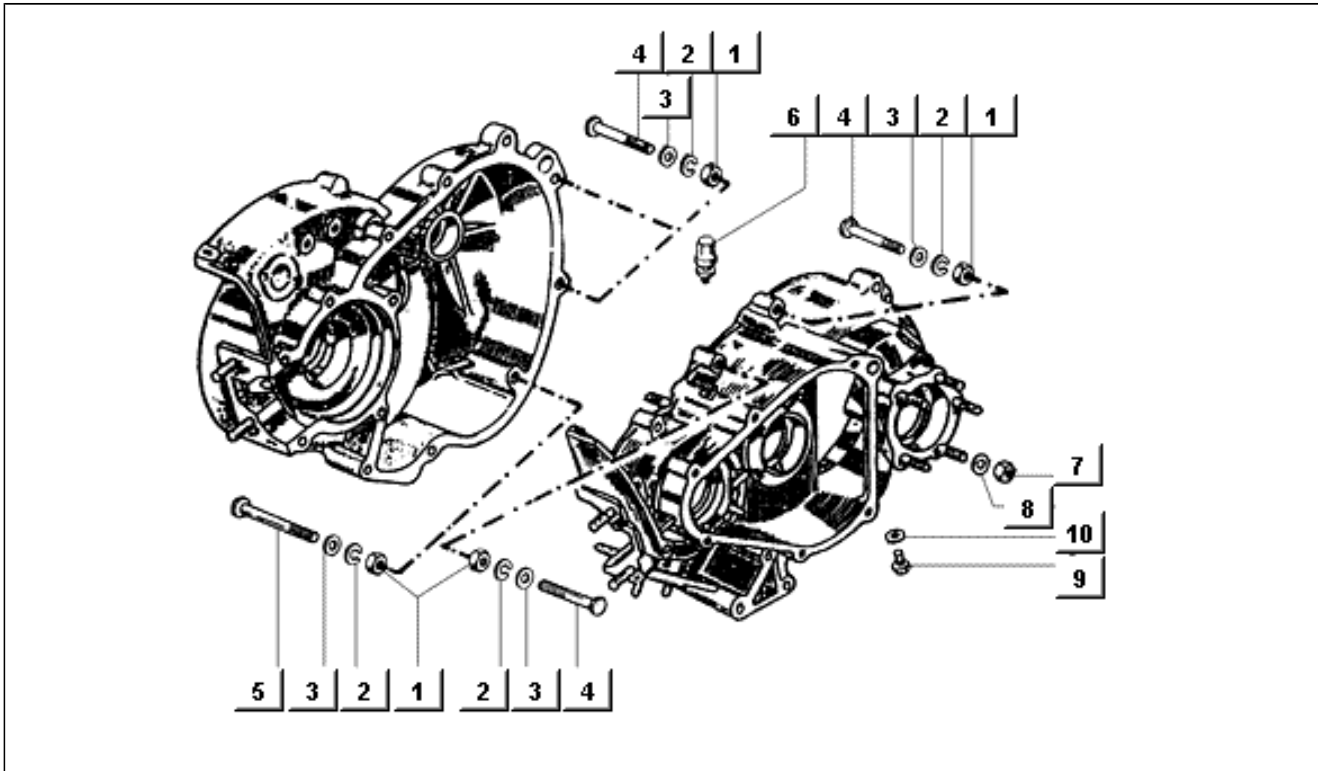
Pos.	Code	Description	Qty	Variants
1	116229	Plug	1	
2	119989	Guard	1	
3	116195	Plug	1	
4	235218	Plug	1	
5	119987	Bush	2	
6	046699	Ring	2	
7	031091	Hex screw M6x22	8	
8	016406	Spring washer 6,4x11,8x1	8	

<b>Group</b>	Engine
<b>Code</b>	T3
<b>Description</b>	Crankcase fasteners
<b>Service</b>	1



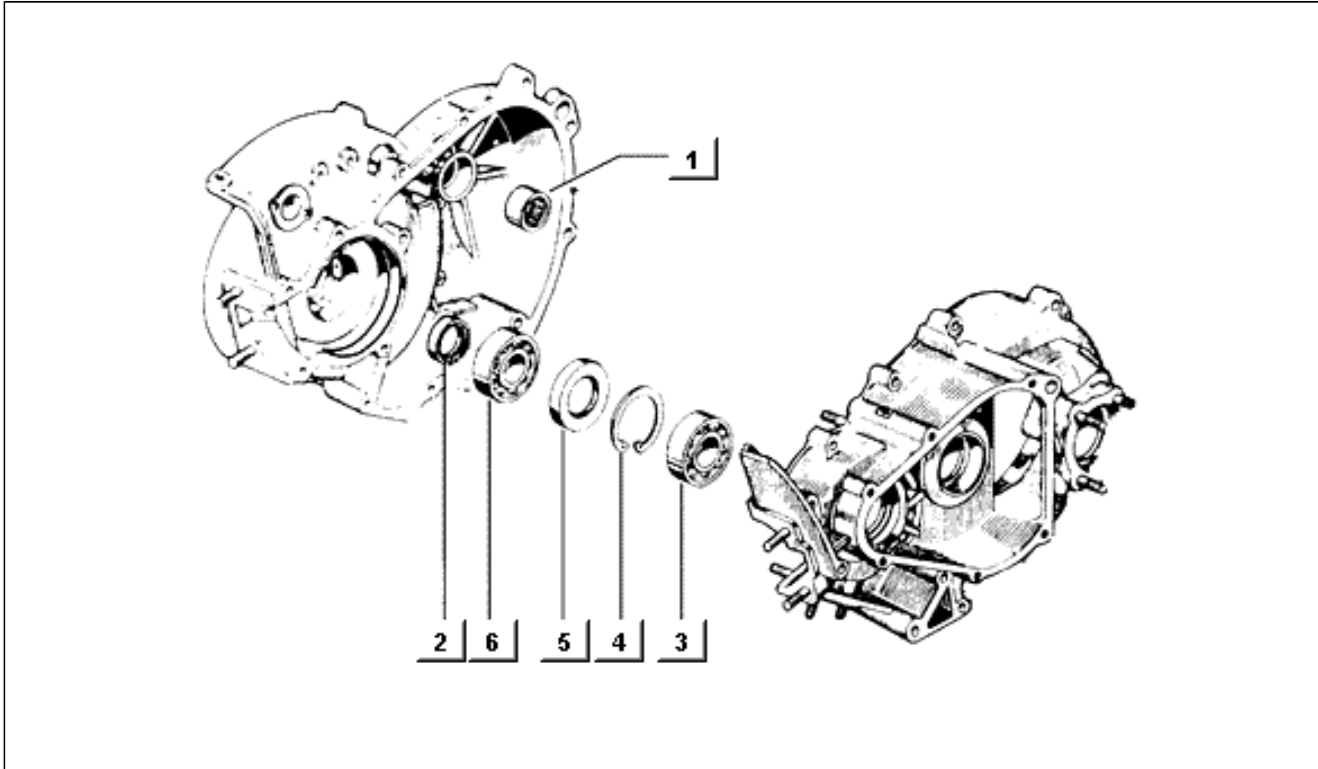
Pos.	Code	Description	Qty	Variants
1	015646	Bolt	2	
2	016407	Washer	2	
3	020107	Nut	3	
4	000397	Gasket	1	
5	138345	Oil plug	1	
6	020007	Nut	3	
7	003057	Washer	3	
8	008499	Bolt	1	
9	222429	Gasket	1	
10	015647	Bolt	1	
11	013880	Flat washer 16x6,5x1,5	2	
12	016407	Washer	4	
13	104296	Spring clamp	2	
14	CM002311	Oil pipe	1	

<b>Group</b>	Engine
<b>Code</b>	T4
<b>Description</b>	Crankcase fasteners
<b>Service</b>	1



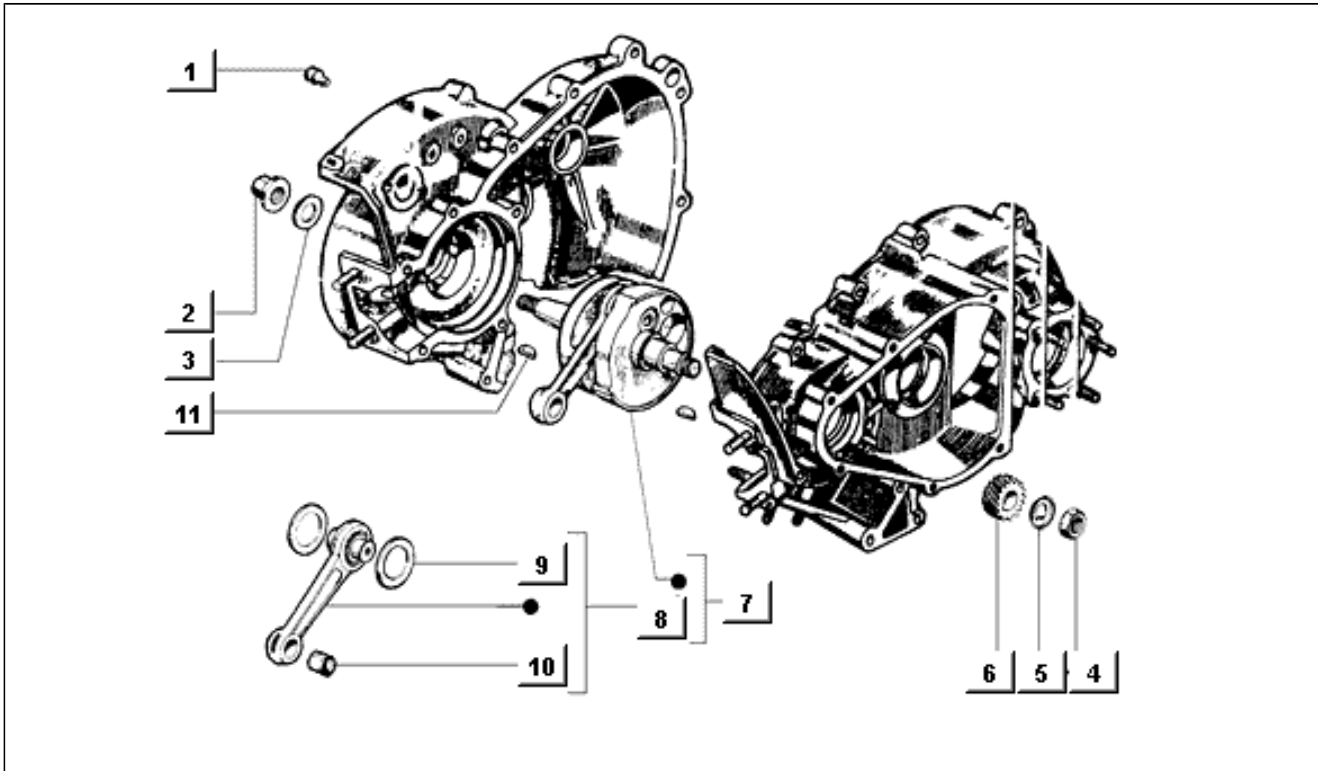
Pos.	Code	Description	Qty	Variants
1	020107	Nut	2	
2	016407	Washer	2	
3	003057	Washer	2	
4	008420	Bolt	6	
5	239151	Bolt	1	
6	0193014	Breather	1	
7	015344	Nut	5	
8	013776	Washer	5	
9	138345	Oil plug	1	
10	000397	Gasket	1	

<b>Group</b>	Engine
<b>Code</b>	T5
<b>Description</b>	Main bearings
<b>Service</b>	1



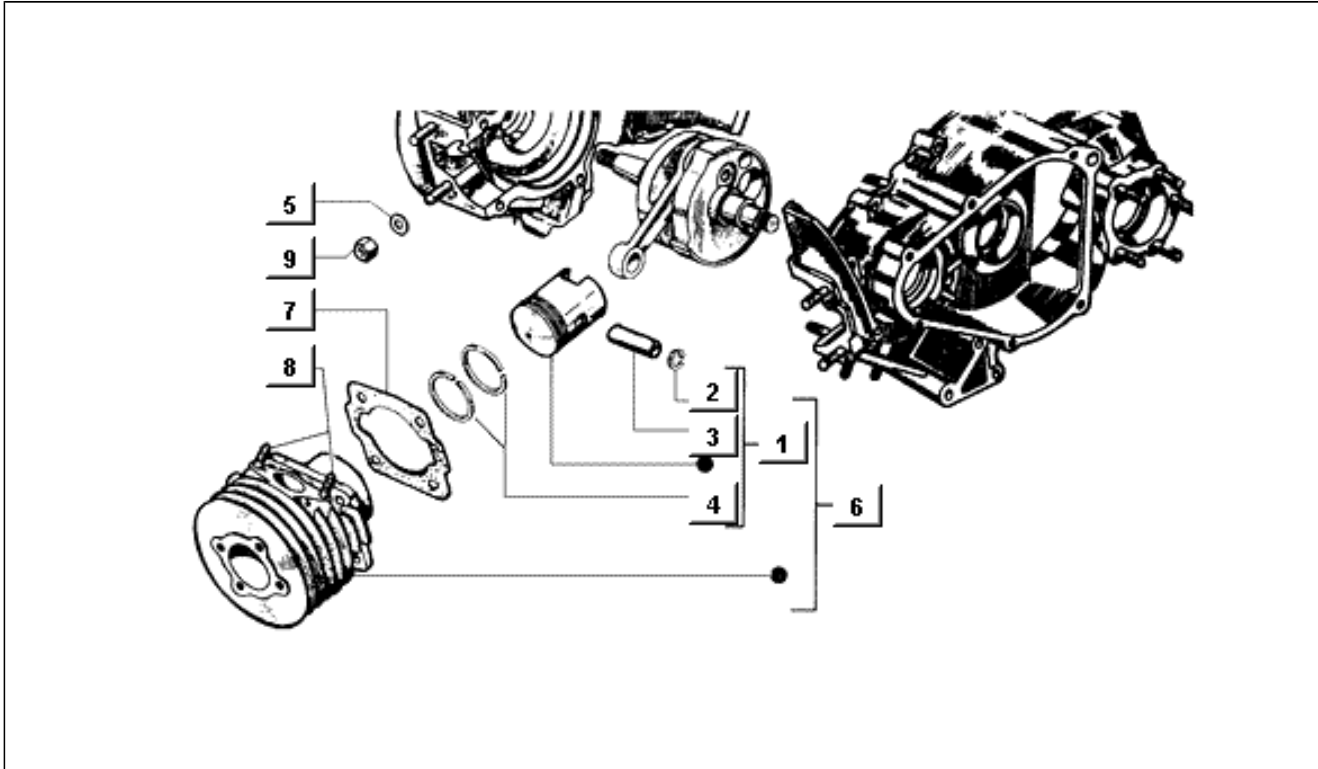
Pos.	Code	Description	Qty	Variants
1	137731	Drawn cap	1	
2	289306	Ring	1	
3	227687	Bearing	1	
4	006647	Circlip	1	
5	289305	Ring	1	
6	090131	Bearing	1	

<b>Group</b>	Engine
<b>Code</b>	T6
<b>Description</b>	Crankshaft
<b>Service</b>	1



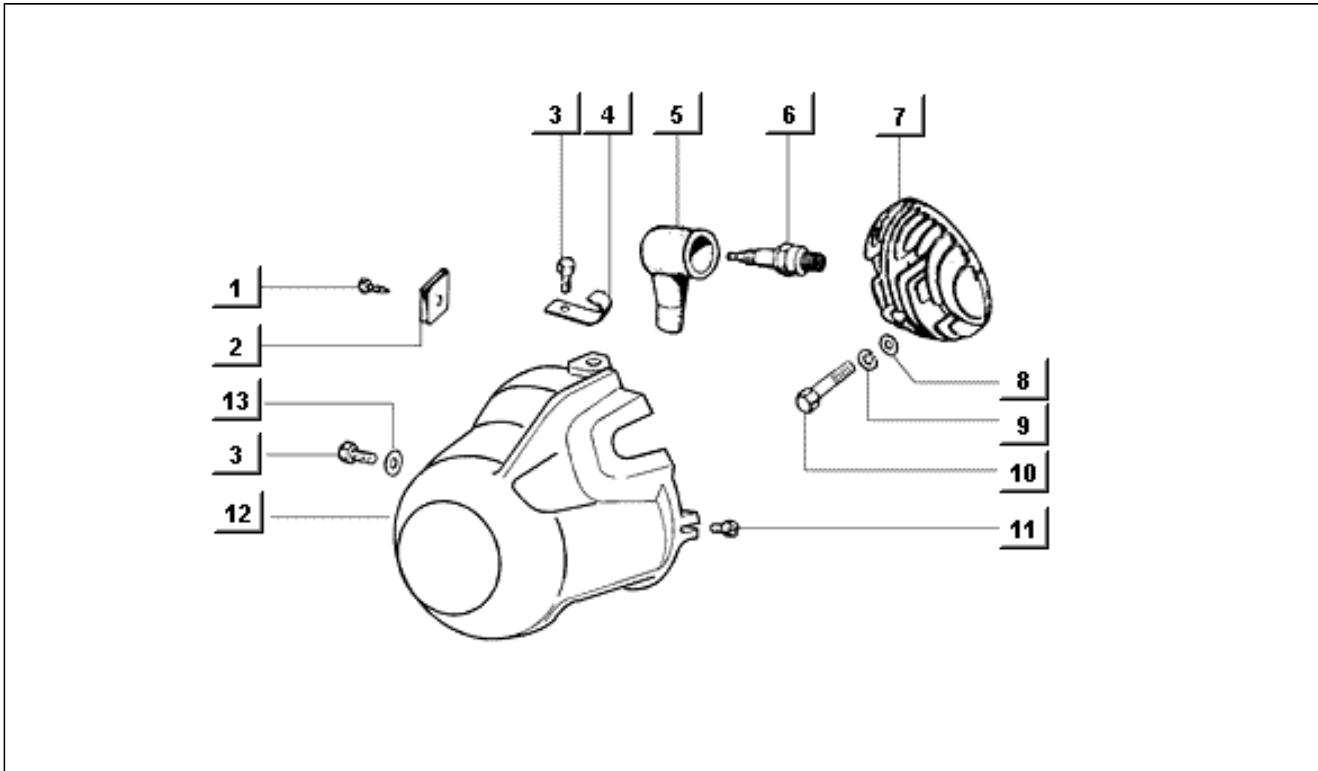
Pos.	Code	Description	Qty	Variants
1	193109	Plug	2	
2	021112	Nut	1	
3	012555	Washer	1	
4	482748	Nut	1	
5	001821	Washer	1	
6	2452375	Drive gear	1	
7	2892165	Drive shaft	1	
8	1965165	Conn.-rod	1	
9	078332	Washer	2	
10	500501	Pin cage 1 cat.	1	
10	500502	Pin cage 2 cat.	1	
10	500503	Pin cage 3 cat.	1	
10	500504	Pin cage 4 cat.	1	
11	000267	Transmission key	2	

<b>Group</b>	Engine
<b>Code</b>	T7
<b>Description</b>	Cylinder - piston - piston pin, assy
<b>Service</b>	1



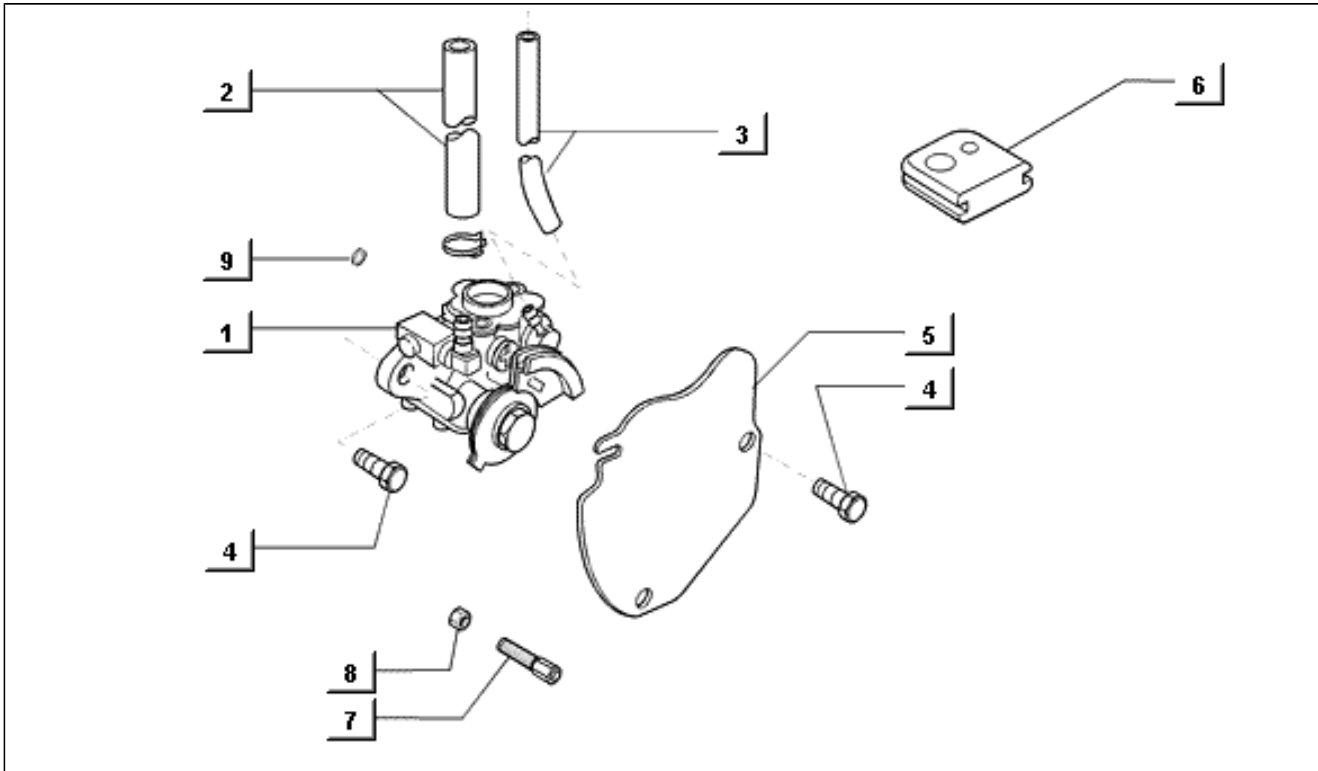
Pos.	Code	Description	Qty	Variants
1	2432740001	Pist.-wrist pin assy.	1	
1	2432740002	Pist.-wrist pin assy.	1	
1	2432740003	Pist.-wrist pin assy.	1	
1	243275	Pist.-wrist pin assy.	1	
1	243276	Pist.-wrist pin assy.	1	
1	243277	Pist.-wrist pin assy.	1	
2	006612	Snap ring	2	
3	1322334	Gudgeon bucket	1	
4	235598	Gasket ring	1	
4	235606	Ring	1	
4	235607	Ring	1	
4	235608	Ring	1	
5	016407	Washer	4	
6	828679	Cylinder bucket gudgeon	1	
7	826911	Cylinder gasket	1	
8	003916	Stud bolt	2	
9	020107	Nut	4	

<b>Group</b>	Engine
<b>Code</b>	T8
<b>Description</b>	Cylinder head - cooling hood
<b>Service</b>	1



Pos.	Code	Description	Qty	Variants
1	008265	Screw	1	
2	008112	Plate	1	
3	031086	Screw m6x12	2	
4	118489	Strap	1	
5	244395	Cap	1	
6	438049	Spark plug	1	
7	2363915	Cylinder head	1	
7	247065	Cylinder head	1	
7	834980	Cylinder head	1	
8	003057	Washer	4	
9	016407	Washer	4	
10	015559	Bolt	4	
11	018509	Screw	1	
12	487469	Guard	1	
13	078307	Washer	1	

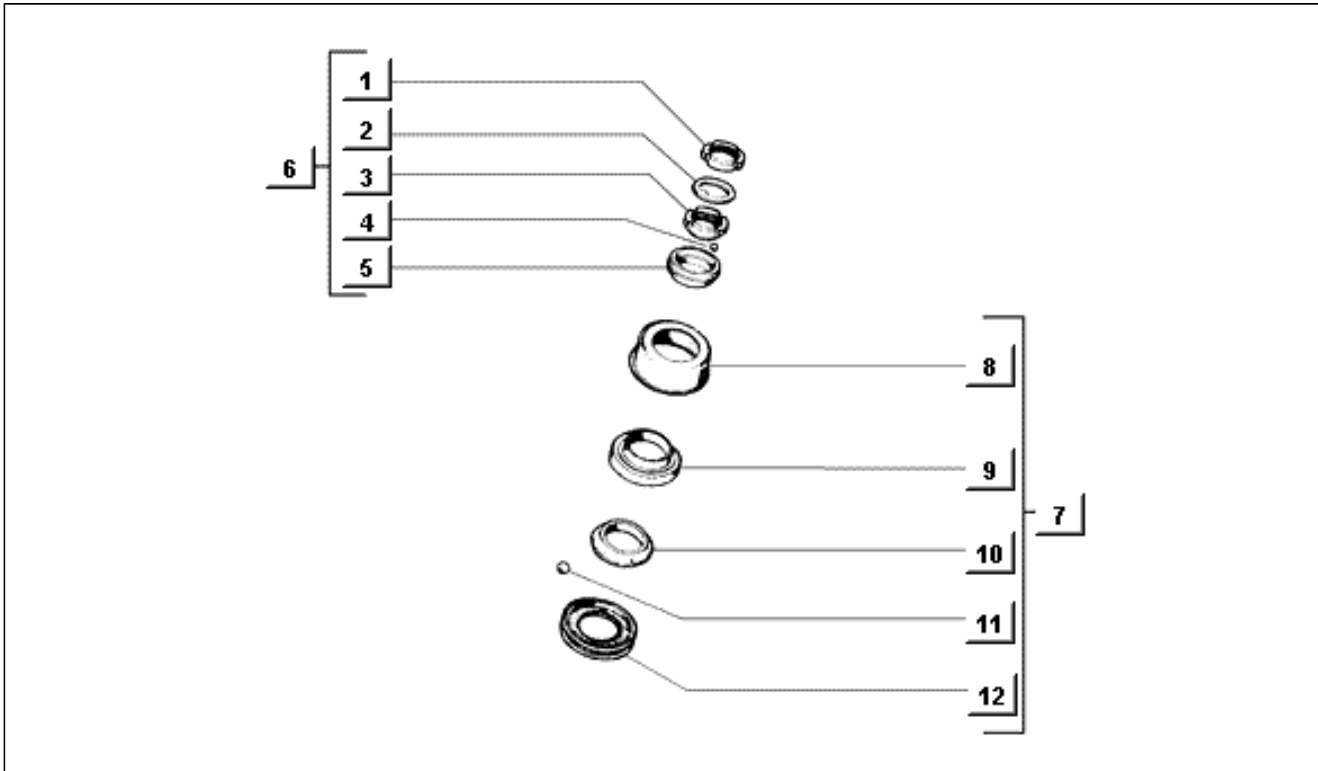
<b>Group</b>	Engine
<b>Code</b>	T9
<b>Description</b>	Oil pump
<b>Service</b>	1



Pos.	Code	Description	Qty	Variants
1	82606R	Oil pump	1	
2	CM101605	Oil outlet pipe	1	
3	CM101508	Pipe	1	
4	031058	Screw	5	
5	482746	Cover	1	
6	482747	Fairlead	1	
7	146197	Adjuster screw	1	
8	020106	Nut M6	1	
9	311163	Gasket	1	

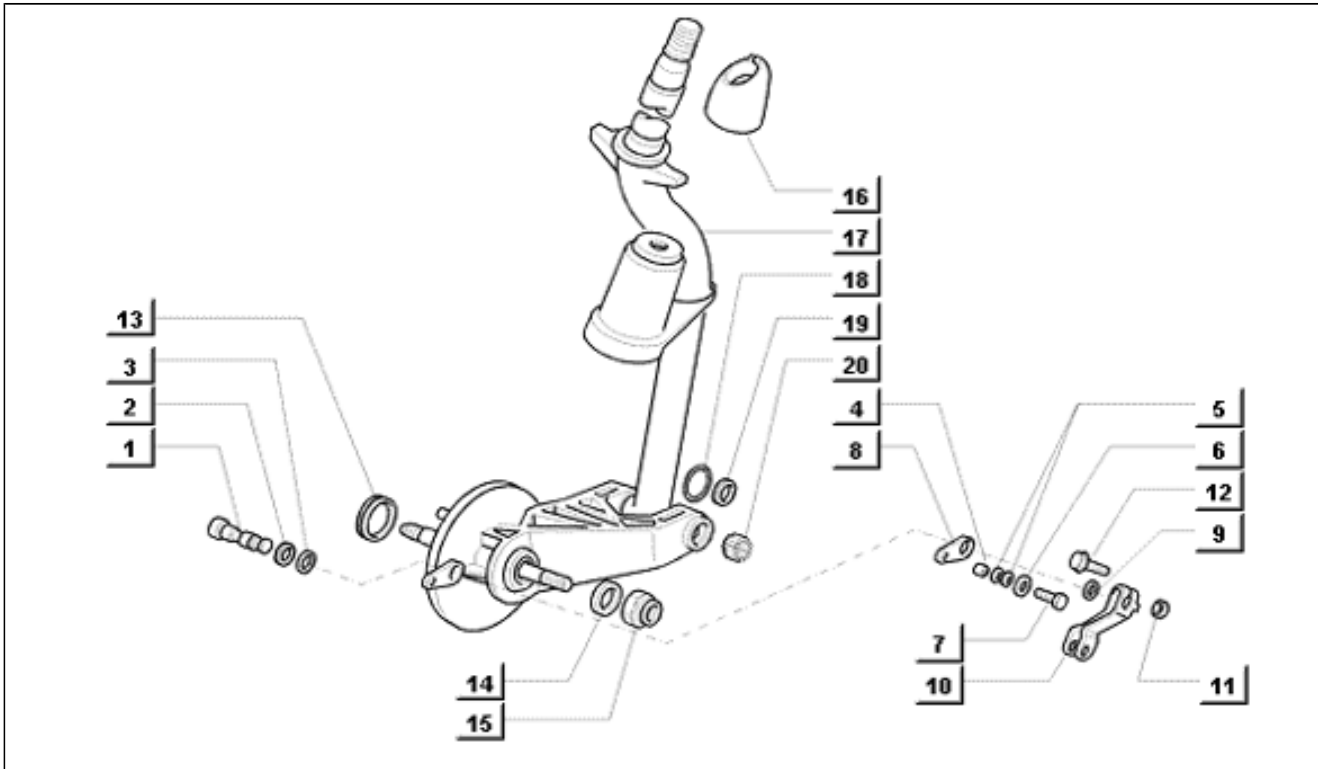


<b>Group</b>	Handlebars
<b>Code</b>	T49
<b>Description</b>	Steering ball bearings assy.
<b>Service</b>	1



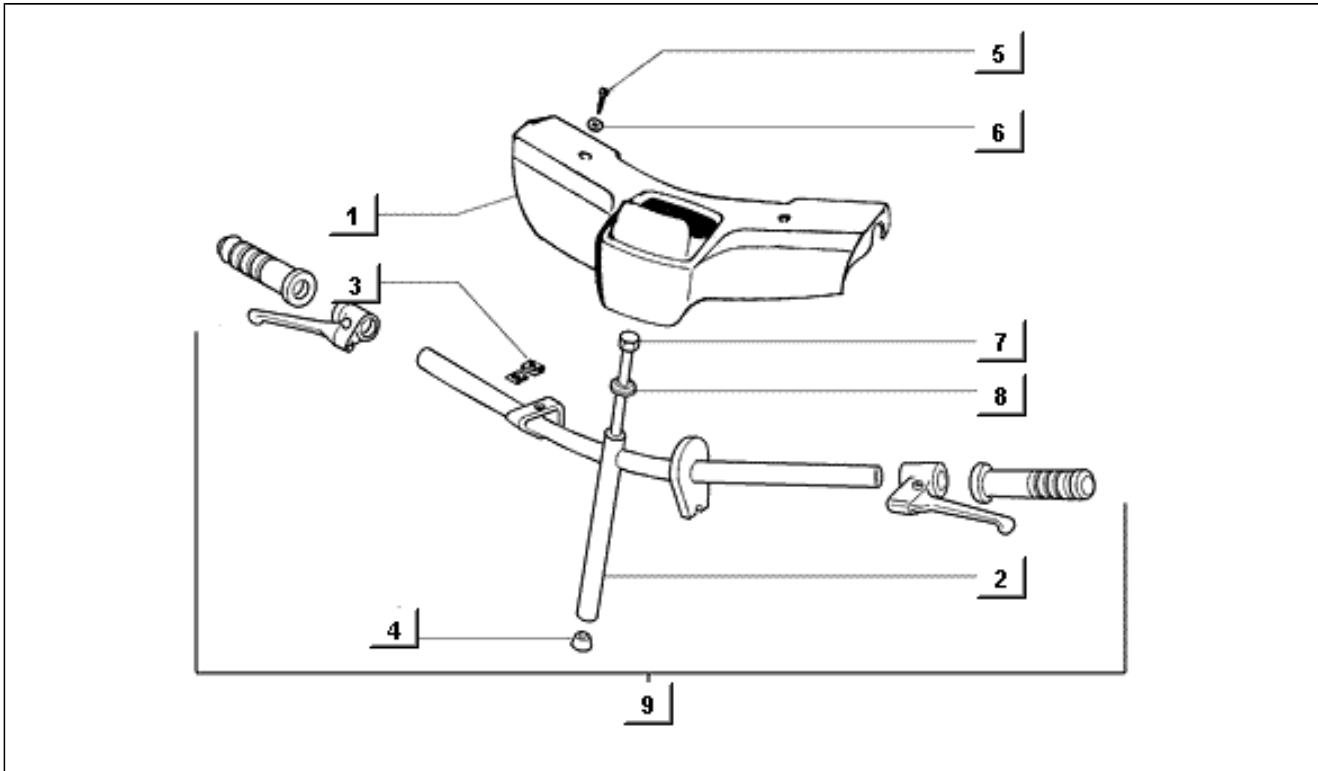
Pos.	Code	Description	Qty	Variants
1	011109	Ghiera tubo sterzo	1	
2	003751	Rondella dello sterzo	1	
3	568932	Ring nut	1	
4	014246	Ball	28	
5	568931	Bearing housing	1	
6	493616	Steering bearing assy.	1	
7	493617	Steering bearing assy.	1	
8	119215	Dust cover	1	
9	568934	Outer thrust bearing	1	
10	568933	Bearing housing	1	
11	006380	Ball	20	
12	119216	Washer	1	

<b>Group</b>	Handlebars
<b>Code</b>	T50
<b>Description</b>	Steering column
<b>Service</b>	1



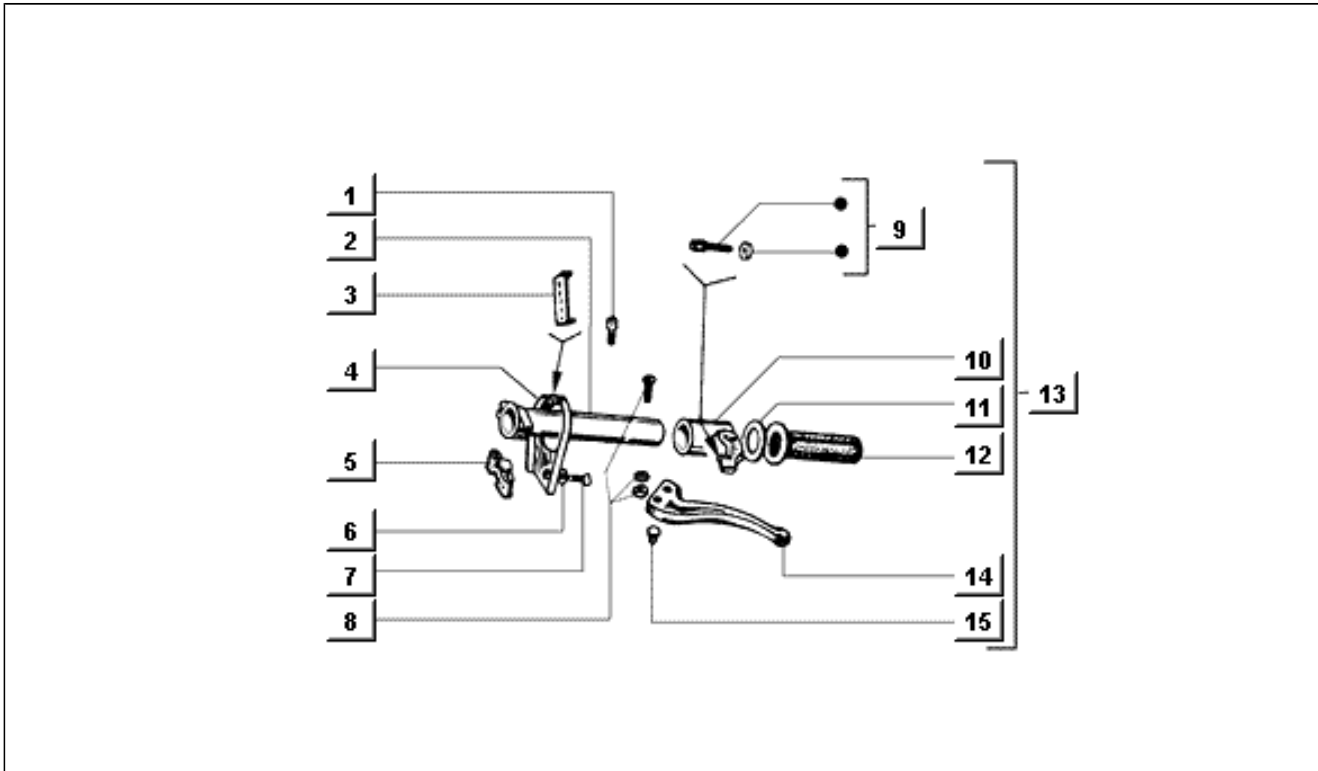
Pos.	Code	Description	Qty	Variants
1	567198	Brake lever shaft	1	
2	273419	Gasket ring	1	
3	274246	Flat washer 22x12,1x1	1	
4	179574	Spacer	1	
5	007608	Belleville spring	2	
6	179575	Washer	1	
7	031088	Vite M6x16	1	
8	274249	Plate	1	
9	006714	O-ring	1	
10	567199	Brake lever	1	
11	709041	Nut	1	
12	414837	Screw w/ flange	1	
13	021460	Ring	1	
14	177468	Disc	1	
15	006844	Nut	1	
16	261400	Protection	1	
17	5680565001	Steering tube	1	
17	5680565002	Steering tube	2	
17	5680565003	Steering tube	3	
18	006731	Gasket	2	
19	119219	Oil seal	2	
20	137146	Drawn cap	2	

<b>Group</b>	Handlebars
<b>Code</b>	T58
<b>Description</b>	Handlebars, assy - handlebar cover
<b>Service</b>	1



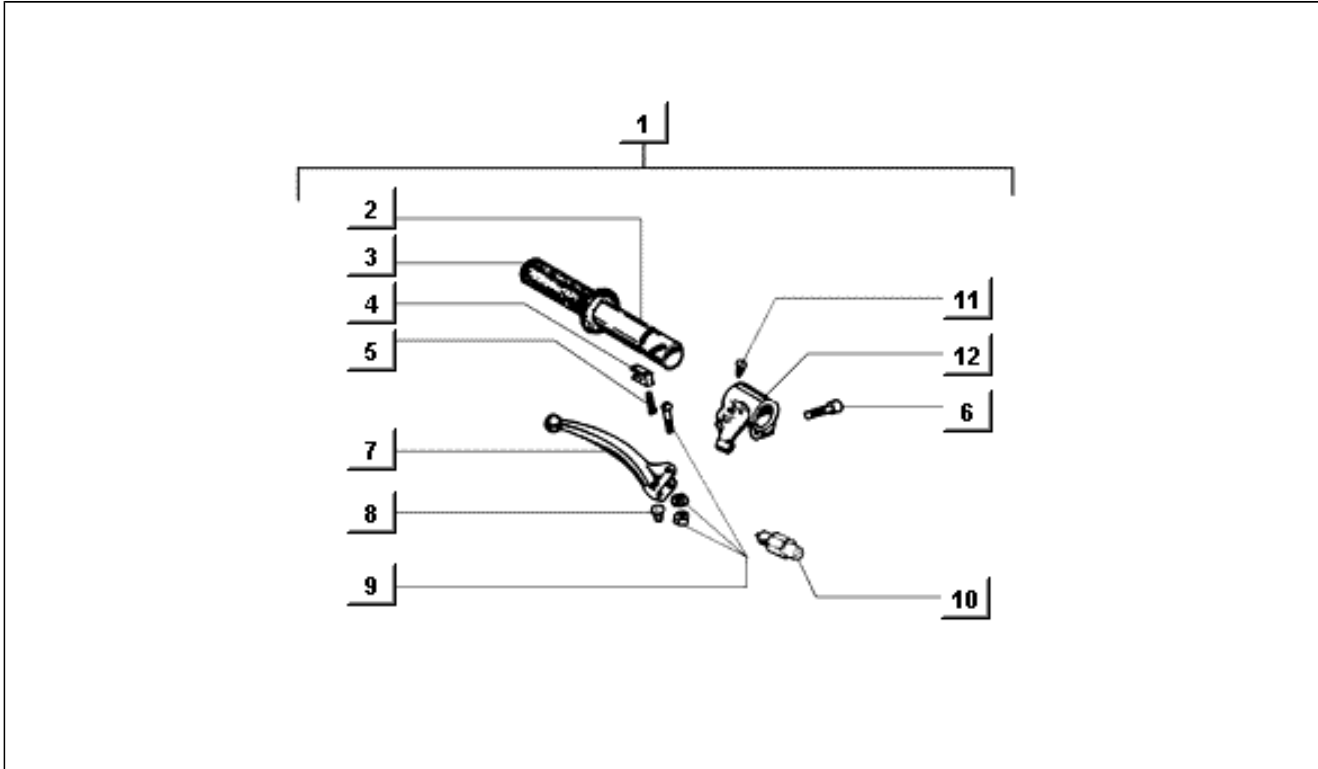
Pos.	Code	Description	Qty	Variants
1	261406	Handlebars shell	1	
2	2679035	Handlebars, assy.	1	
3	008080	Plate	2	
4	116298	Cone	1	
5	008455	Screw	2	
6	016670	Washer 4,5x12x1	2	
7	226352	Bolt	1	
8	126612	Washer	1	
9	5669975	Handlebars, assy.	1	
10	116112	Spring	2	
11	4141315	Front jaw	2	
12	117456	Spring	4	
13	117450	Lever	1	
13	117451	Brake lever	1	
14	118205	Spring washer	2	

<b>Group</b>	Handlebars
<b>Code</b>	T59
<b>Description</b>	Gear speed grip
<b>Service</b>	1



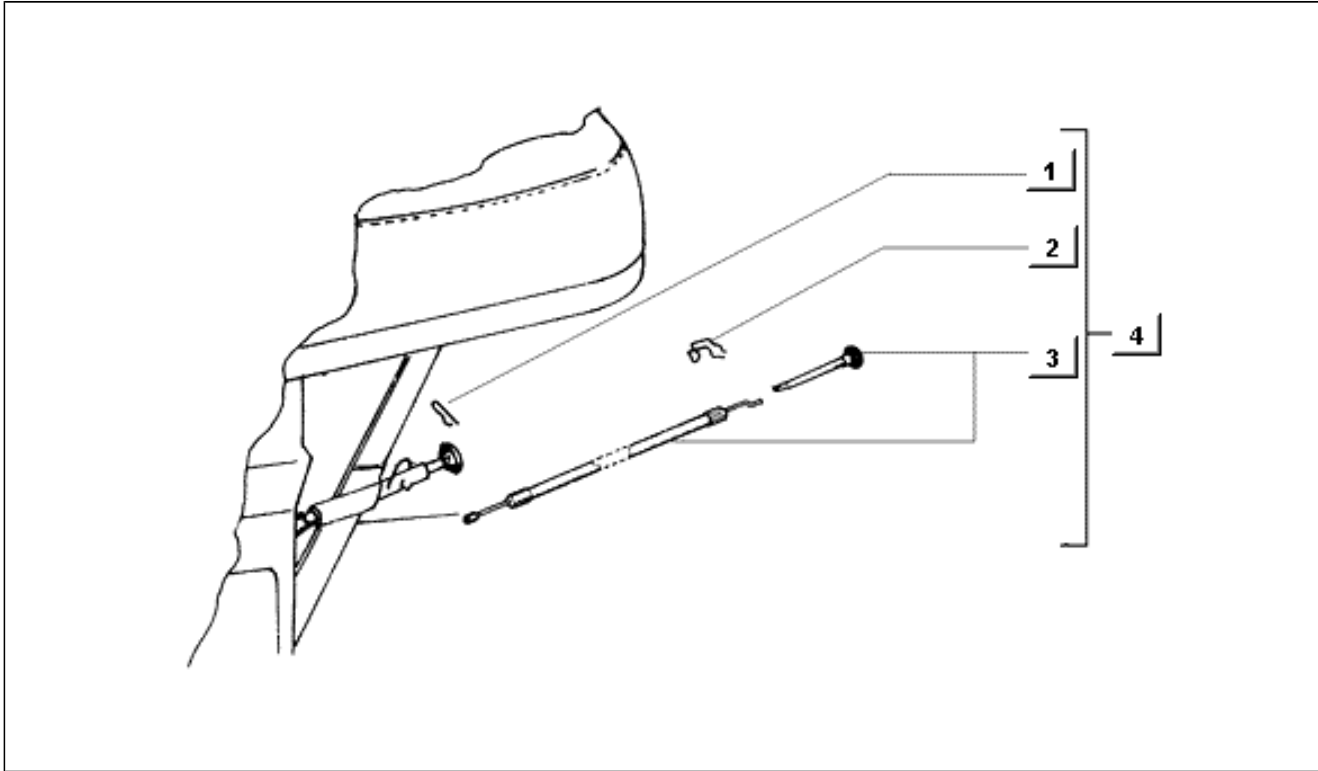
Pos.	Code	Description	Qty	Variants
1	272907	Screw	1	
2	265728	Pipe	1	
3	569215	Sector	1	
4	265859	Plug	1	
5	137347	Slide piece	1	
6	006018	Washer	1	
7	031059	Bolt	1	
8	265249	Vite	1	
9	118498	Register	1	
10	265861	Hose	1	
11	123390	Washer	1	
12	229741	Grip	1	
13	261476	Pipe	1	
14	261688	Lever	1	
15	178709	Pin	1	

<b>Group</b>	Handlebars
<b>Code</b>	T60
<b>Description</b>	Throttle twist grip
<b>Service</b>	1



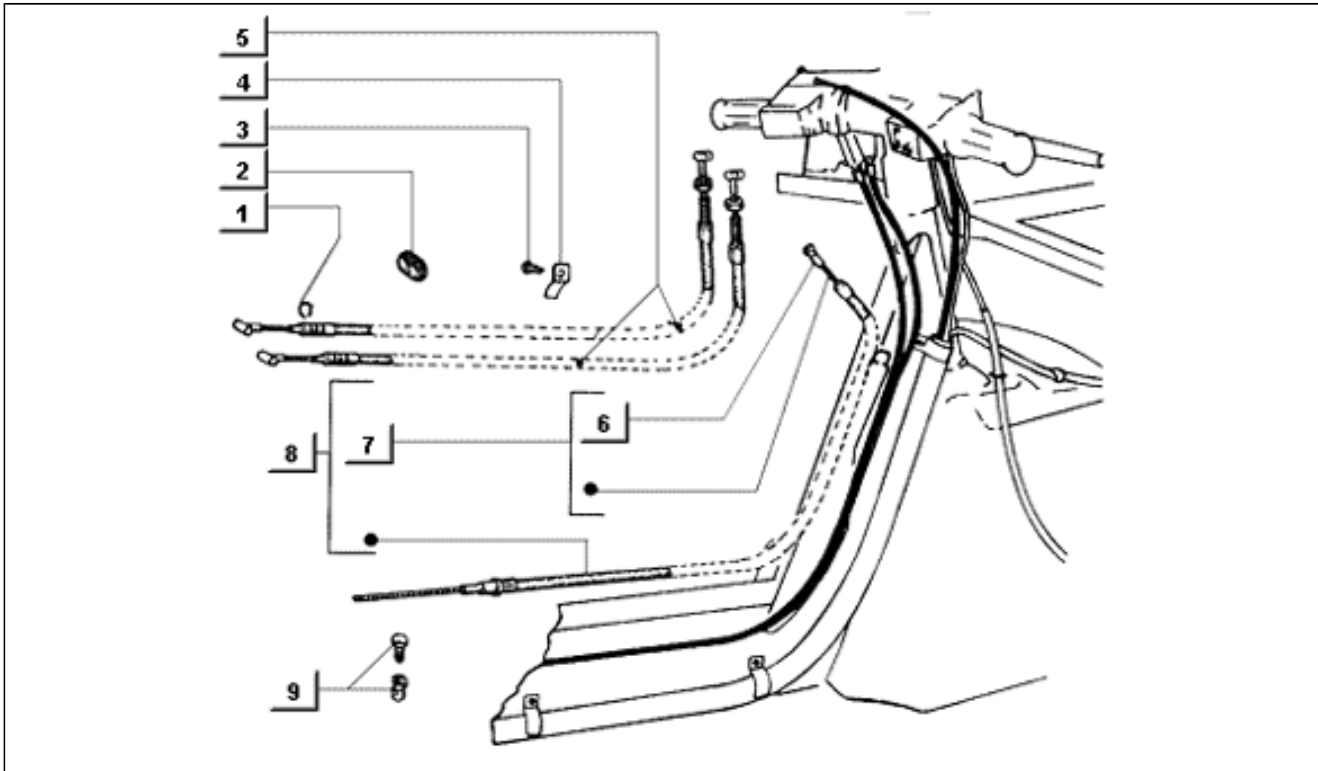
Pos.	Code	Description	Qty	Variants
1	566485	Throttle grip	1	
2	560787	Hose	1	
3	229741	Grip	1	
4	229935	Sliding block	1	
5	123391	Sec. screw	1	
6	123394	Vite con bussola	1	
7	261689	Lever	1	
8	272907	Screw	1	
9	265249	Vite	1	
10	580953	stop Button	1	
11	123389	Screw	1	
12	265858	Hose	1	

<b>Group</b>	Transmissions
<b>Code</b>	T64
<b>Description</b>	Starter control
<b>Service</b>	1



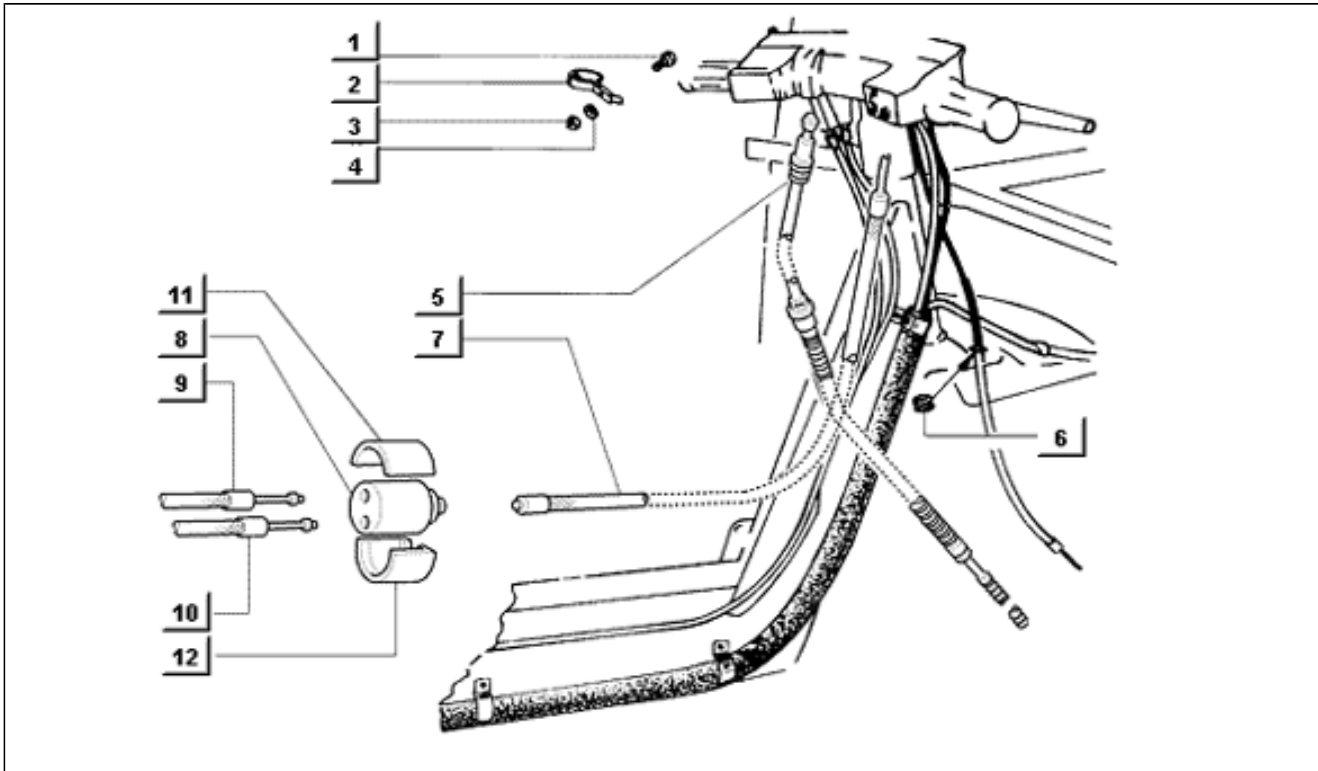
Pos.	Code	Description	Qty	Variants
1	075962	Spring	1	
2	183321	Spring	1	
3	567083	Knob	1	
4	194821	Choke transmiss.	1	

<b>Group</b>	Transmissions
<b>Code</b>	T67
<b>Description</b>	Clutch and gear change control cables
<b>Service</b>	1



Pos.	Code	Description	Qty	Variants
1	005967	Ring	1	
2	127071	Fairlead	1	
3	008432	Screw d3,5x9,5	3	
4	018732	Clip	3	
5	126712	Transmission	1	
6	198484	Terminal	1	
7	118313	Wire	1	
8	270711	Transmission	1	
9	153198	Terminal and screw	1	

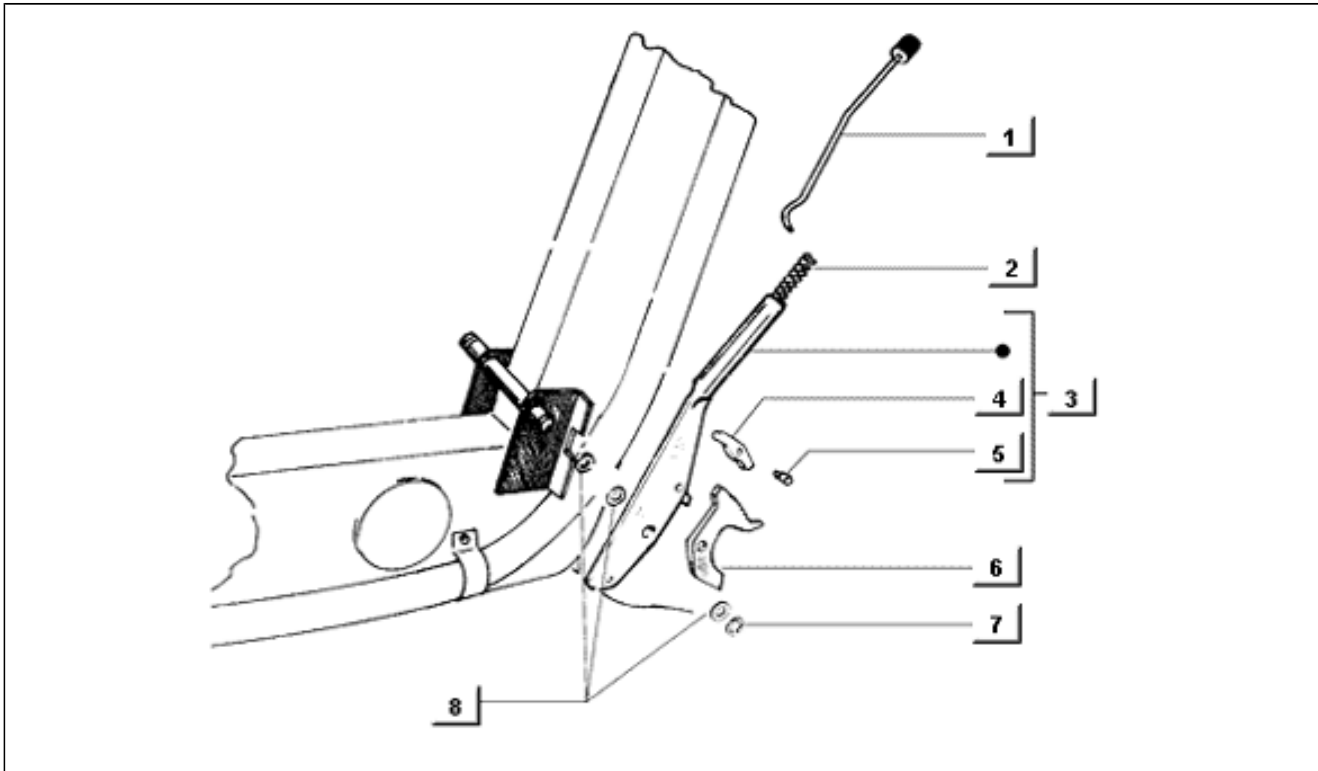
<b>Group</b>	Transmissions
<b>Code</b>	T68
<b>Description</b>	Front brake and throttle cables
<b>Service</b>	1



Pos.	Code	Description	Qty	Variants
1	031025	Bolt	1	
2	126328	Hose clamp	1	
3	020104	Nut	1	
4	003054	Washer 4,3x8x0,5	1	
5	566484	Transmission	1	
6	016516	Fairlead	1	
7	567102	Transmission	1	
8	269571	Splitter	1	
9	567103	Trasmission	1	
10	567104	Splitter	1	
11	271977	Protezione superiore sdoppiatore	1	
12	271976	Protezione inferiore sdoppiatore	1	

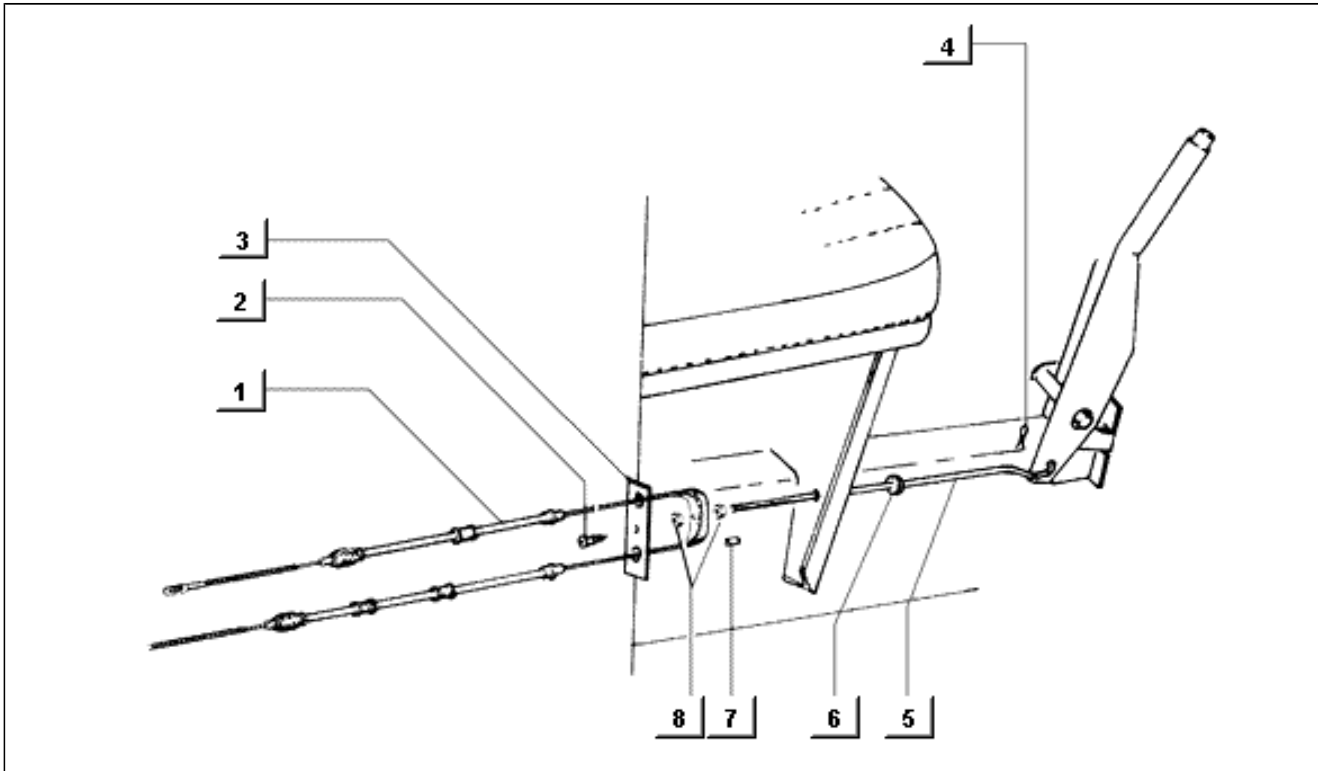


<b>Group</b>	Transmissions
<b>Code</b>	T69
<b>Description</b>	Parking brake control lever
<b>Service</b>	1



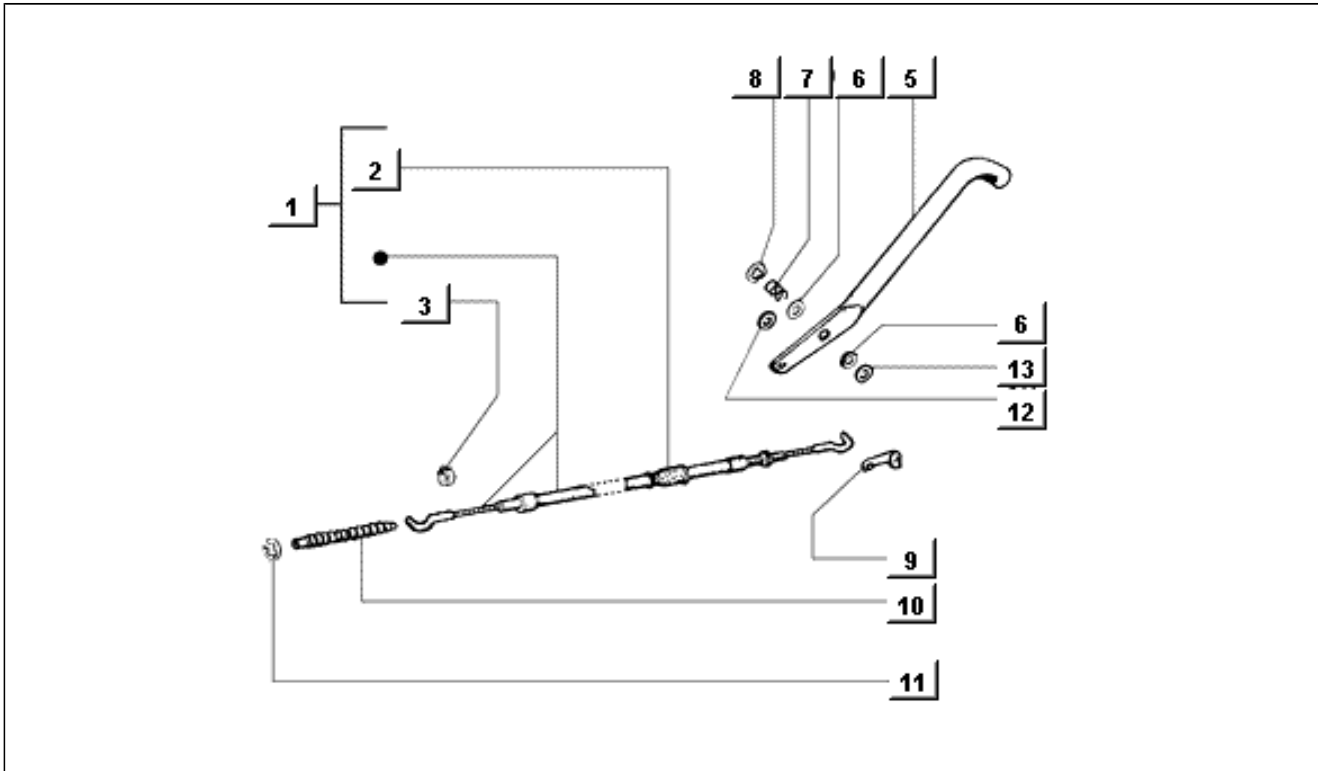
Pos.	Code	Description	Qty	Variants
1	258656	Rod	1	
2	109310	Spring	1	
3	258657	Lever	1	
4	109306	Guide pin	1	
5	109309	Pin	1	
6	1176124	Sector	1	
7	005970	Ring	1	
8	101422	Washer	3	

<b>Group</b>	Transmissions
<b>Code</b>	T70
<b>Description</b>	Parking brake cable
<b>Service</b>	1



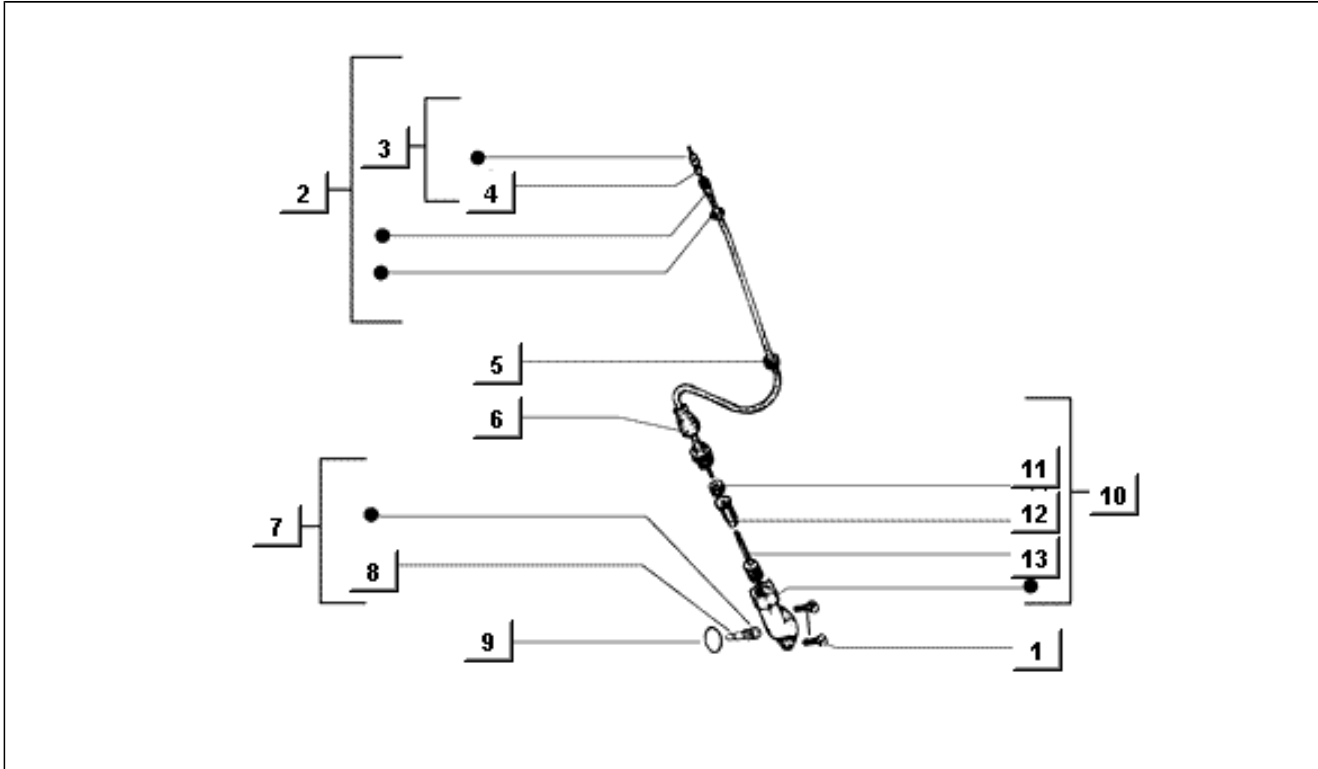
Pos.	Code	Description	Qty	Variants
1	117675	Transmission	1	
2	008432	Screw d3,5x9,5	1	
3	1176175	Plate	1	
4	012768	Split pin	1	
5	117613	Tie rod	1	
6	117614	Fairlead	1	
7	117615	Spacer	1	
8	020106	Nut M6	2	

<b>Group</b>	Transmissions
<b>Code</b>	T71
<b>Description</b>	Reverse gear control
<b>Service</b>	1



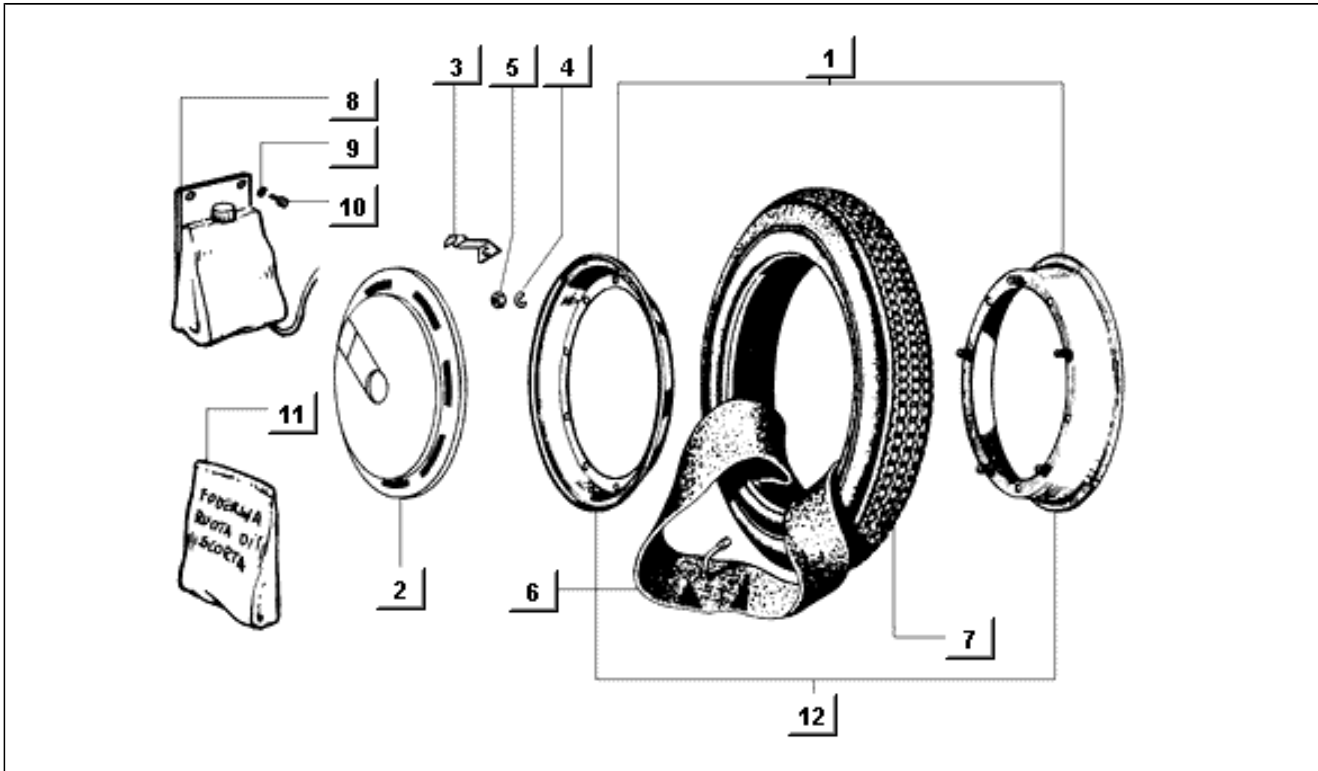
Pos.	Code	Description	Qty	Variants
1	258646	Transmission	1	
2	116260	Cap	1	
3	140435	Spring	1	
5	258827	Lever	1	
6	709037	Washer 12,5x20x2	2	
7	258639	Spring	1	
8	005970	Ring	2	
9	125341	Spring	2	
9	181351	Spring plate	2	
10	118806	Bellows	1	
11	180859	Plate	1	
12	258641	Washer	1	
13	013843	Washer	1	

<b>Group</b>	Transmissions
<b>Code</b>	T72
<b>Description</b>	Speedometer cable
<b>Service</b>	1



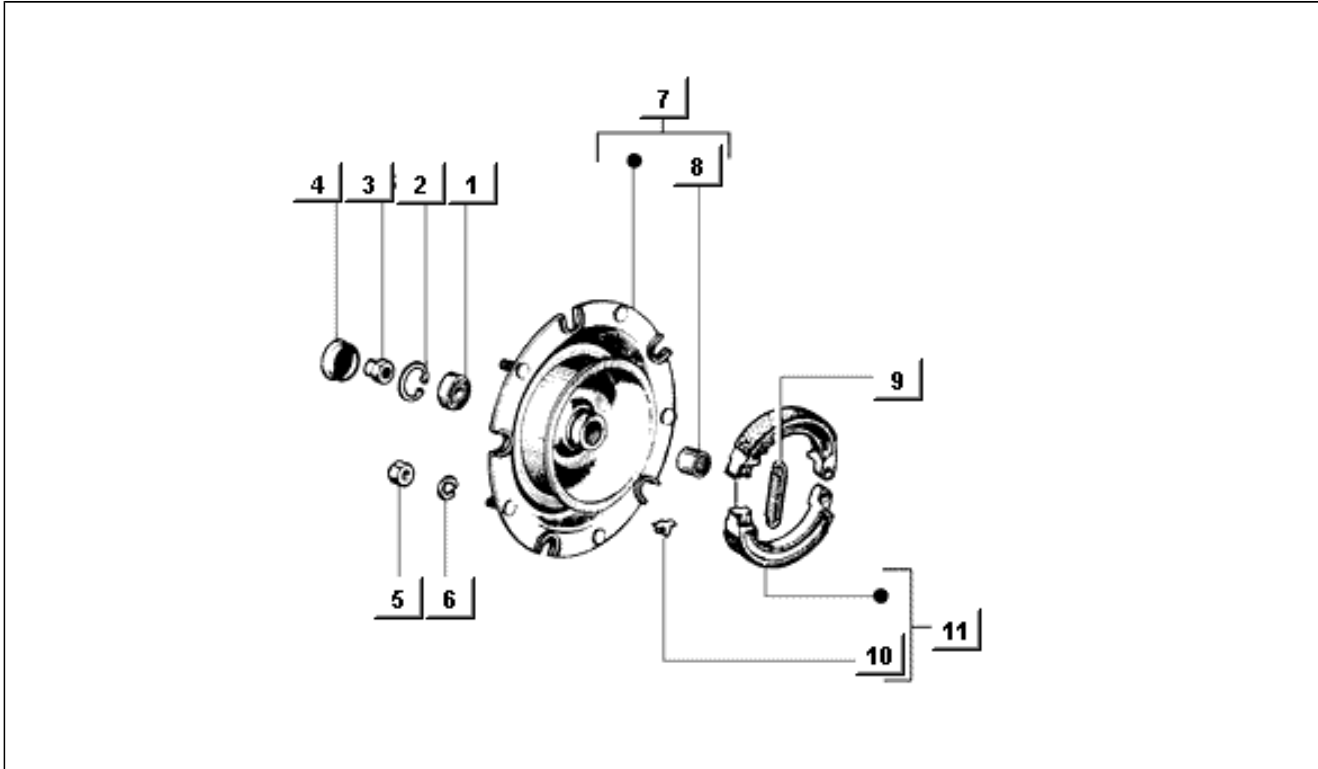
Pos.	Code	Description	Qty	Variants
1	125647	Screw	2	
2	188636	Transmission	1	
3	188637	Wire	1	
4	109329	Washer	1	
5	132538	Gasket	1	
6	127069	Cap	1	
7	125256	Gear	1	
8	008847	Pin	2	
9	017503	Oil seal	1	
10	1252535	Engine support	1	
11	117402	Ring	1	
12	117401	Bush	1	
13	125254	Pinion	1	

<b>Group</b>	Suspensions-Wheels
<b>Code</b>	T29
<b>Description</b>	Wheel
<b>Service</b>	1



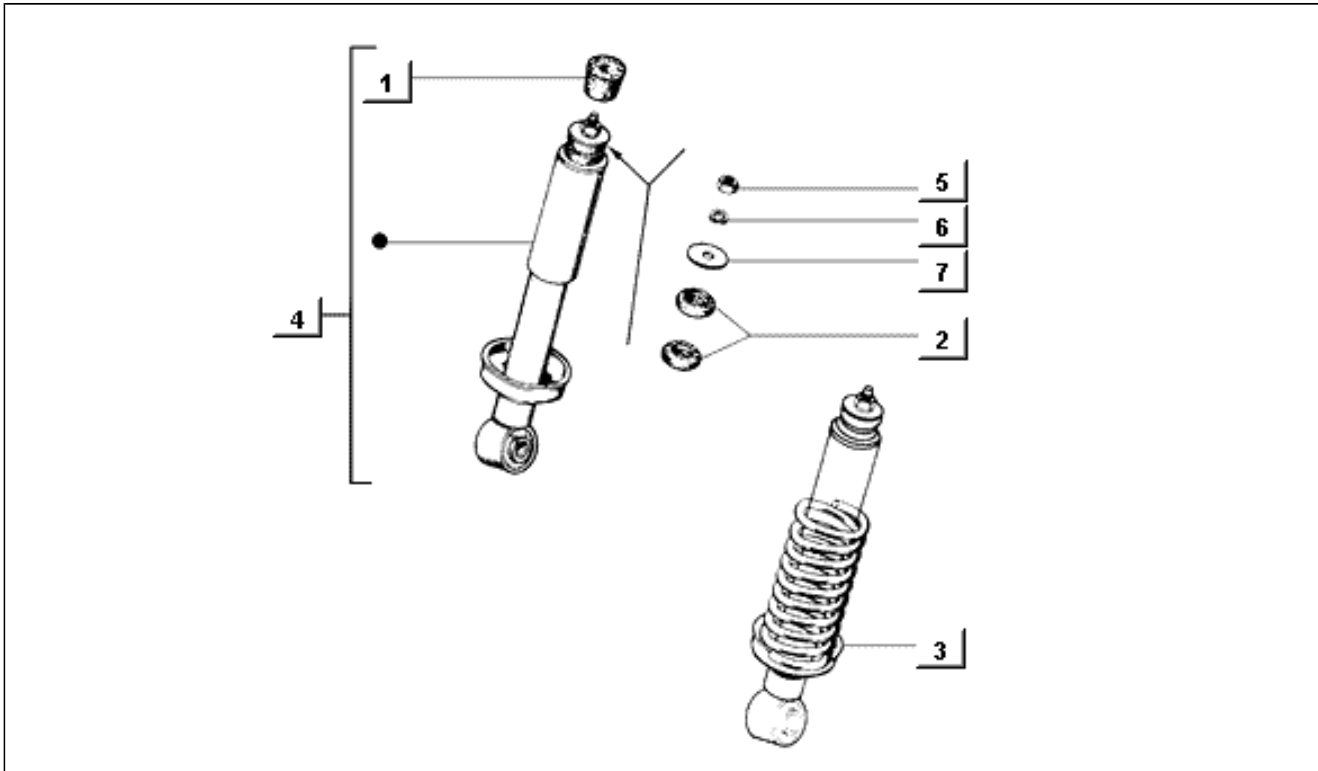
Pos.	Code	Description	Qty	Variants
1	249759	Wheel rim, assy.	4	
2	255661	Wheel cap	3	
3	260232	Spring	15	
4	016408	Spring washer 13,75x8,15x4,5	20	
5	020108	Nut M8x6,5	20	
6	2286635	Inner tube	4	
7	56500R	Tyre	4	
7	5675465	Tyre	4	
8	567785	Windshield washer	1	
9	003055	Plain washer 5,4x10x0,8	2	
10	008455	Screw	2	
11	263289	Spare wheel cover	1	
12	567143	Wheel	4	

<b>Group</b>	Suspensions-Wheels
<b>Code</b>	T51
<b>Description</b>	Brake drum
<b>Service</b>	1



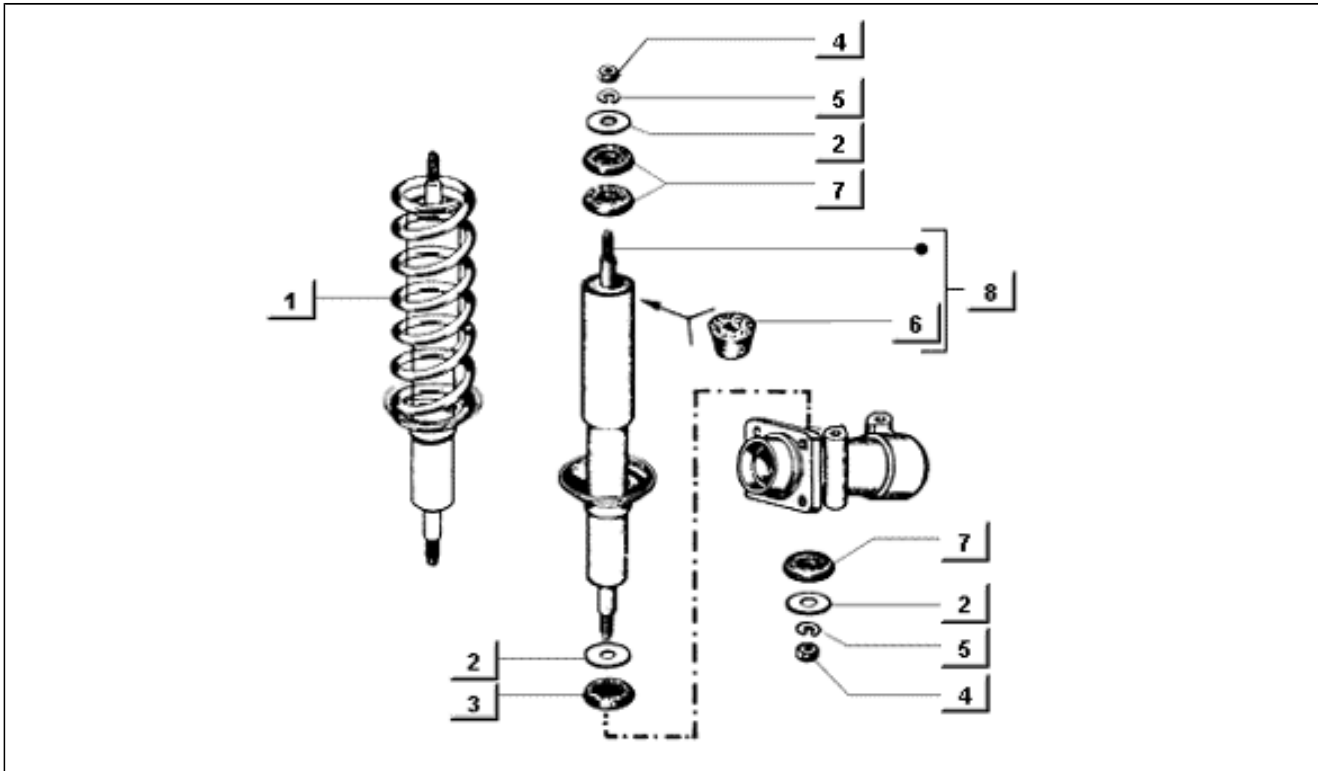
Pos.	Code	Description	Qty	Variants
1	002800	Bearing	1	
2	006632	Snap ring	1	
3	126409	Nut	1	
4	181757	Cap	1	
5	020108	Nut M8x6,5	5	
6	016408	Spring washer 13,75x8,15x4,5	5	
7	268227	Front drum	1	
8	090457	Bush	1	
9	025990	Spring	1	
10	090878	Plate	2	
11	567314	Brake jaw	2	

<b>Group</b>	Suspensions-Wheels
<b>Code</b>	T52
<b>Description</b>	Front damper
<b>Service</b>	1



Pos.	Code	Description	Qty	Variants
1	075708	Drift	1	
2	074414	Drift	2	
3	119878	Spring	1	
4	566502	Shock absorber	1	
5	021110	Nut	1	
6	016410	Washer 17,6x11x2,5	1	
7	006066	Washer	1	

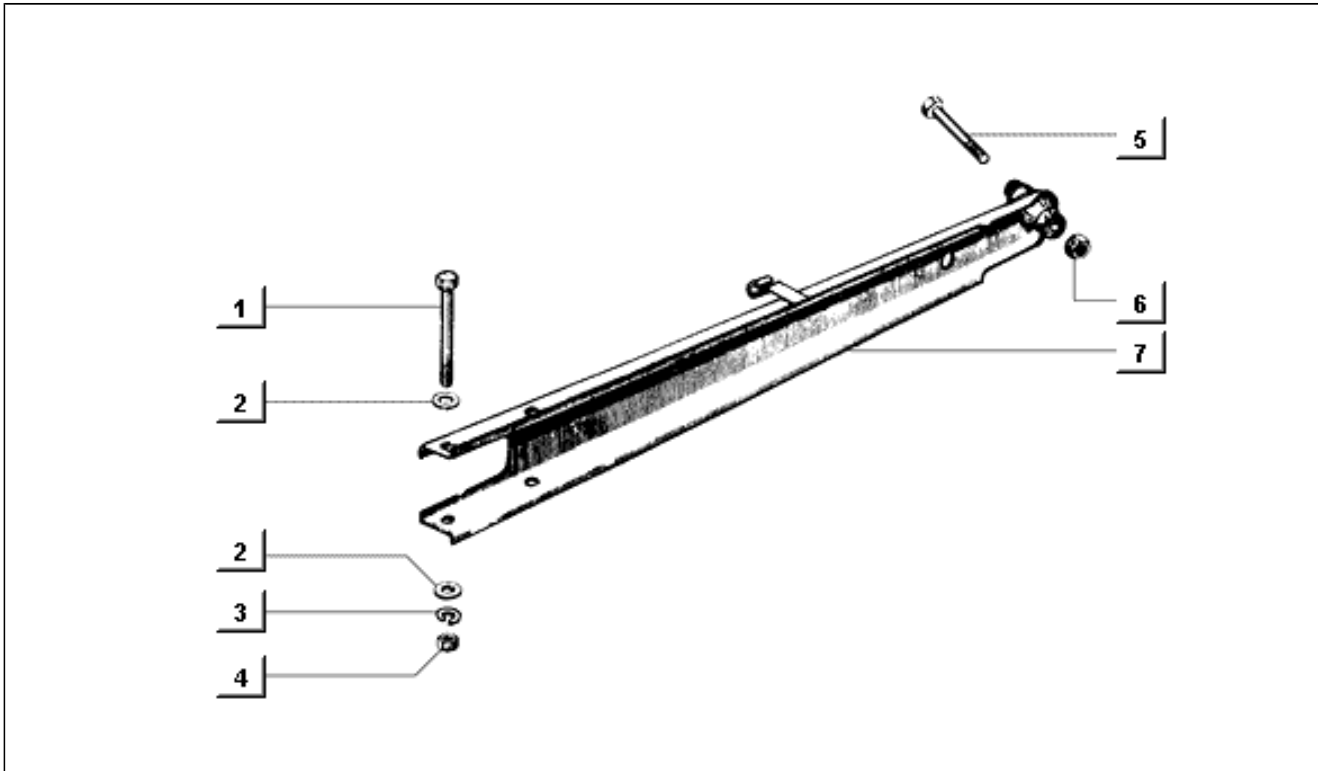
<b>Group</b>	Suspensions-Wheels
<b>Code</b>	T53
<b>Description</b>	Rear suspension
<b>Service</b>	1



Pos.	Code	Description	Qty	Variants
1	116733	Spring	2	
2	567427	Washer	6	
3	116140	Drift	2	
4	021110	Nut	4	
5	016410	Washer 17,6x11x2,5	4	
6	075708	Drift	2	
7	074414	Drift	6	
8	2682514	Rear shock absorber	2	

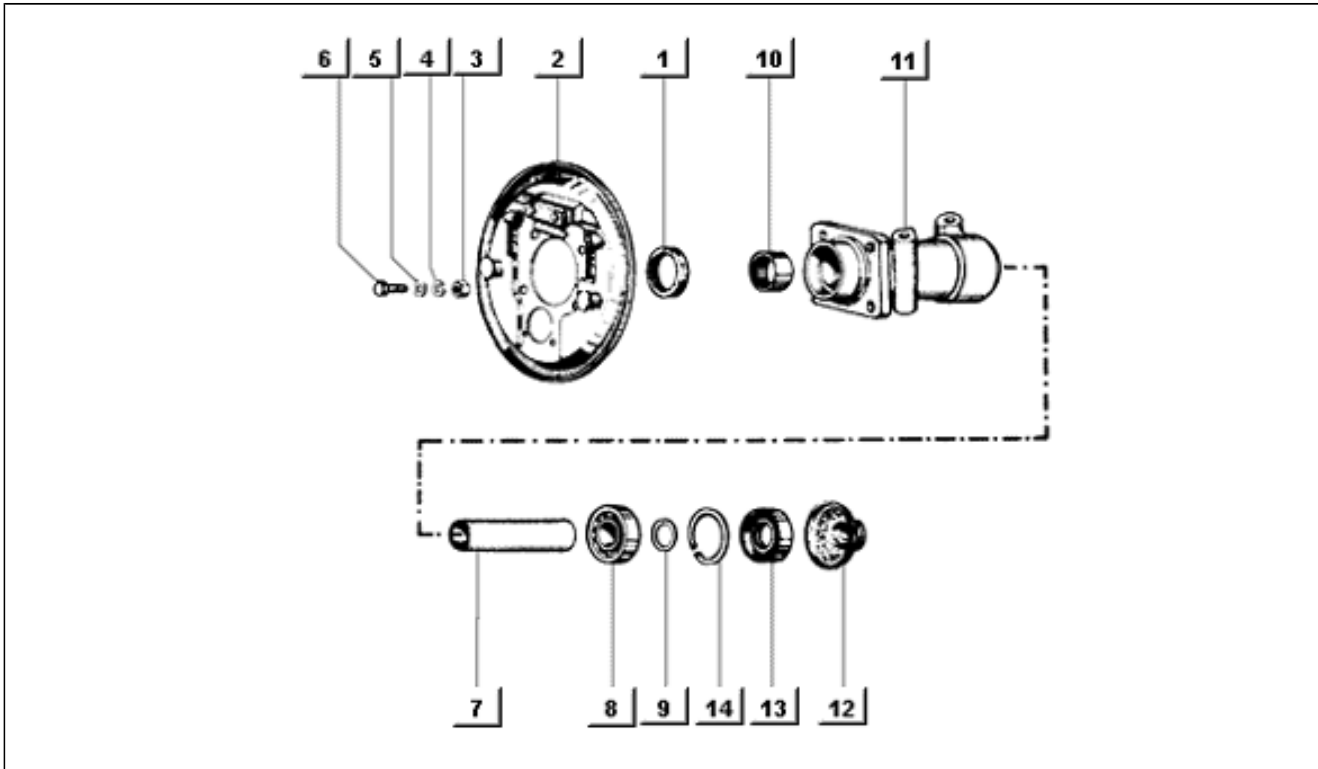


<b>Group</b>	Suspensions-Wheels
<b>Code</b>	T54
<b>Description</b>	Rear suspension arm
<b>Service</b>	1



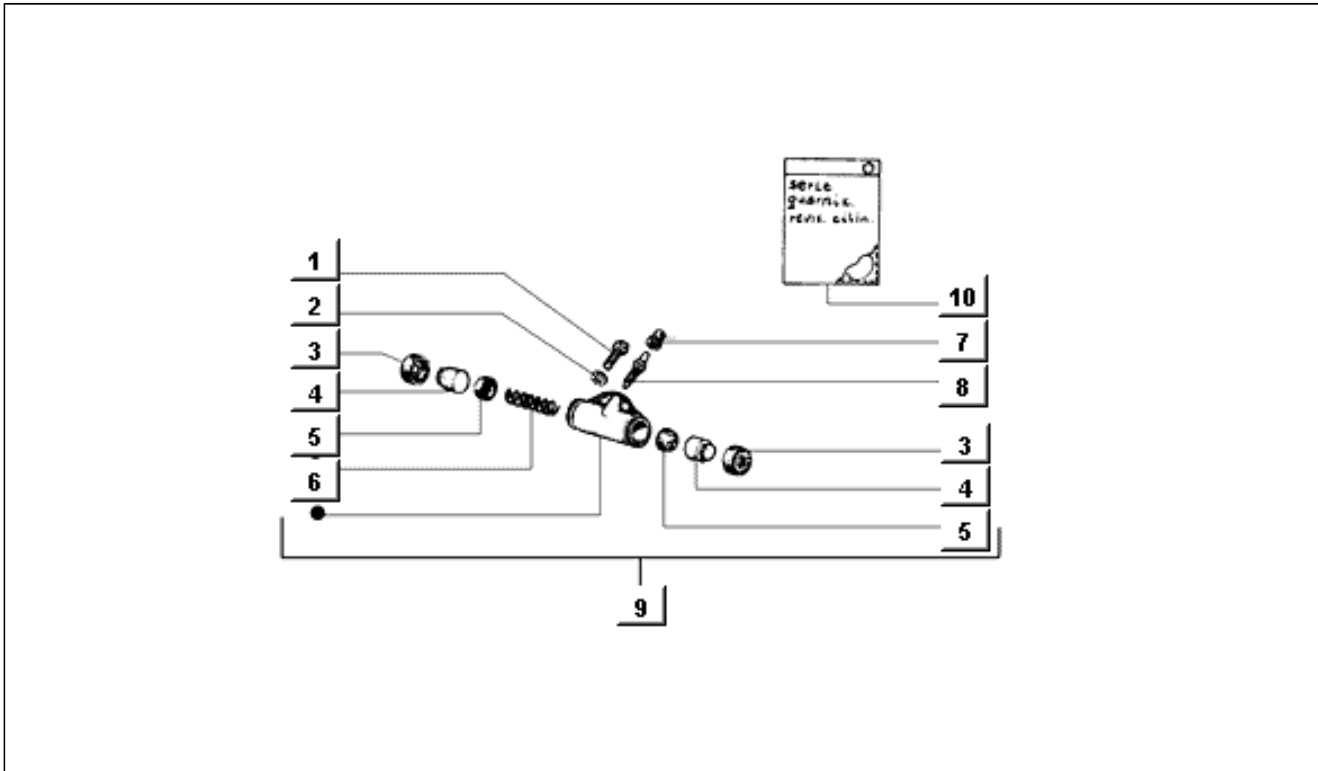
Pos.	Code	Description	Qty	Variants
1	015582	Screw	4	
2	078783	Washer	8	
3	016410	Washer 17,6x11x2,5	4	
4	020110	Nut	4	
5	030101	Screw	2	
6	232108	Self locking nut M10	2	
7	1176255	Boom	2	

<b>Group</b>	Suspensions-Wheels
<b>Code</b>	T55
<b>Description</b>	Anchor plate - rear wheel hub
<b>Service</b>	1



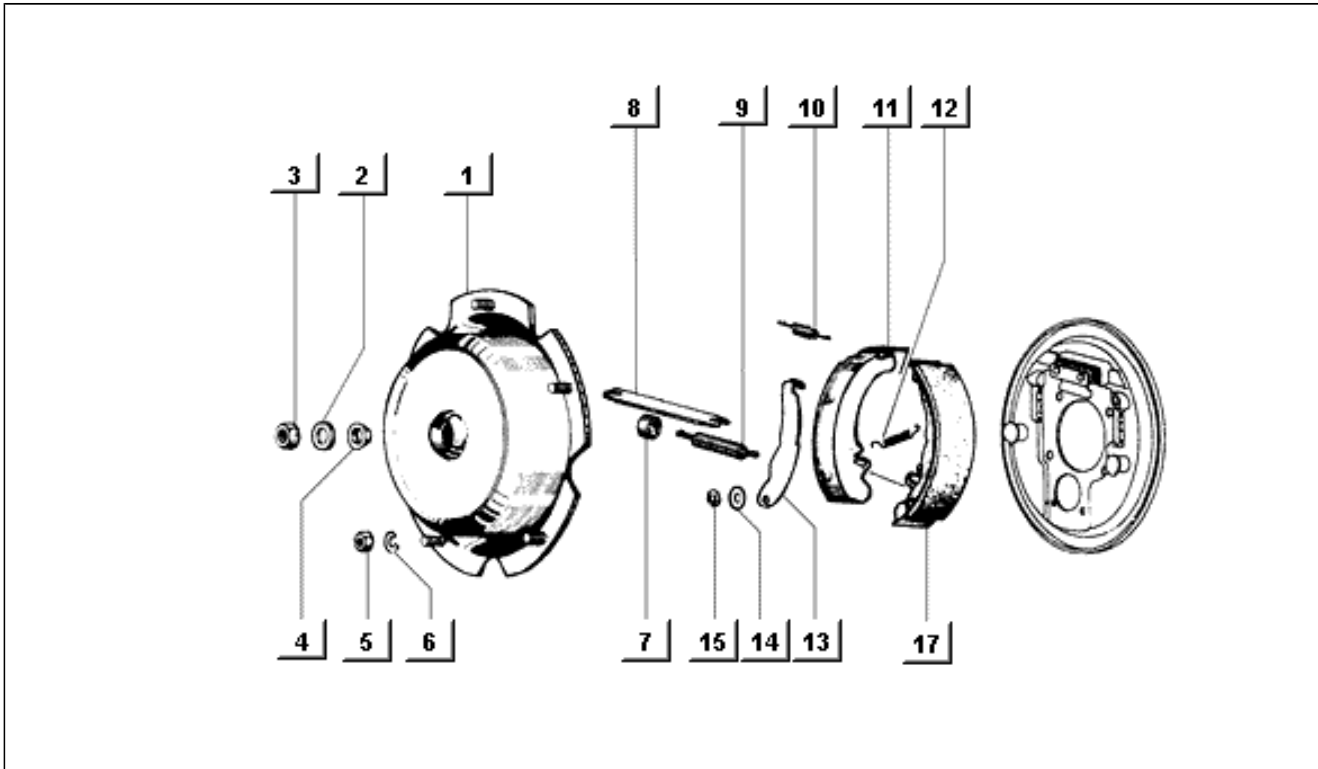
Pos.	Code	Description	Qty	Variants
1	118058	Oil seal	2	
2	1174365	Chair disk support	1	
2	117437T	Chair disk support	1	
3	020108	Nut M8x6,5	8	
4	016408	Spring washer 13,75x8,15x4,5	8	
5	003058	Washer	8	
6	031119	Screw	8	
7	1280795	Spacer	2	
8	434735	Bearing 20x47x14	2	
9	136808	Spacer	2	
10	128080	Drawn cap	2	
11	1199361	Hub wheel	1	
11	1199371	Hub wheel	1	
12	119941	Cup	2	
13	119940	Ring	2	
14	006647	Circlip	2	

<b>Group</b>	Suspensions-Wheels
<b>Code</b>	T56
<b>Description</b>	Brake cylinder
<b>Service</b>	1



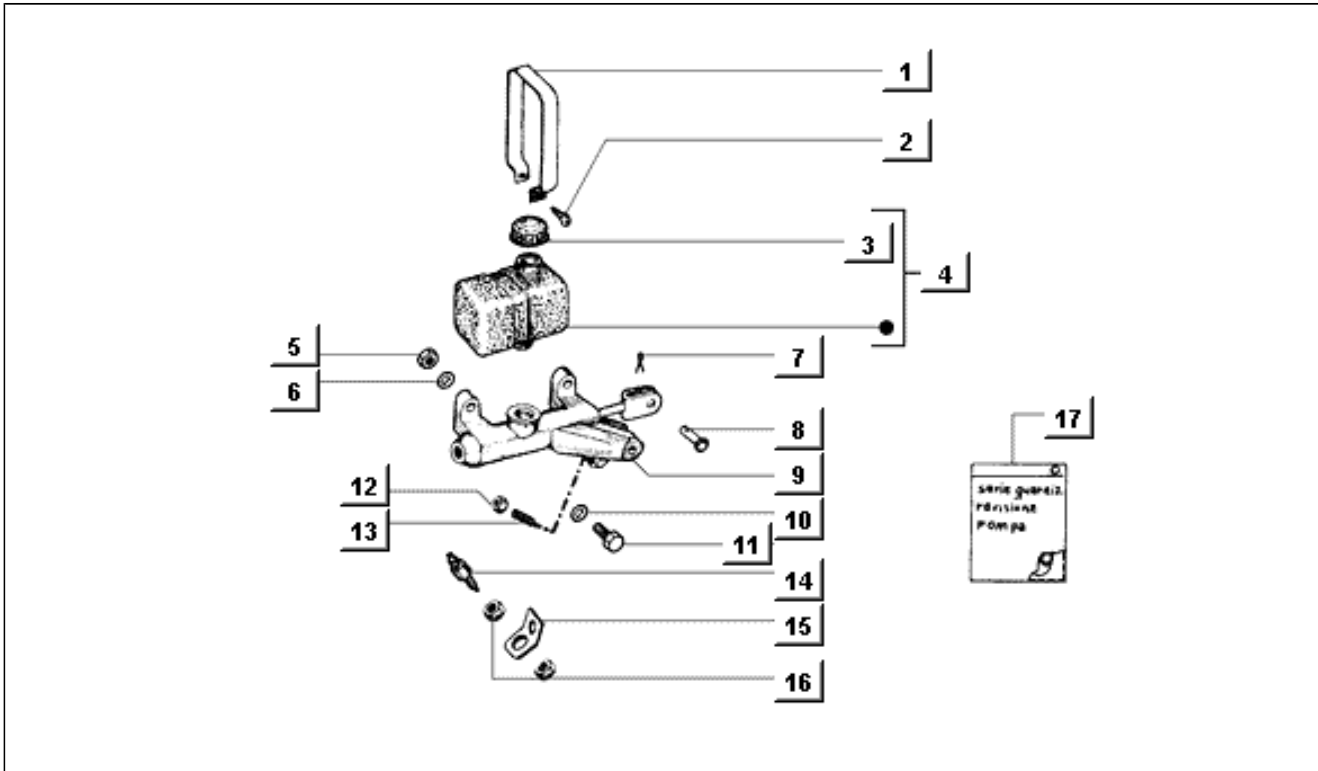
Pos.	Code	Description	Qty	Variants
1	063440	Screw	4	
2	012536	Washer	4	
3	117447	Protection	2	
4	227551	Piston	2	
5	177555	Ring	2	
6	2275525	Disc	2	
7	063435	Bleed valve cap	2	
8	109889	Screw	2	
9	2457652	Break cylinder	2	
10	154797	SER.GUARNIZ.* ABOLIRE	1	

<b>Group</b>	Suspensions-Wheels
<b>Code</b>	T57
<b>Description</b>	Brake drum - brake jaws
<b>Service</b>	1



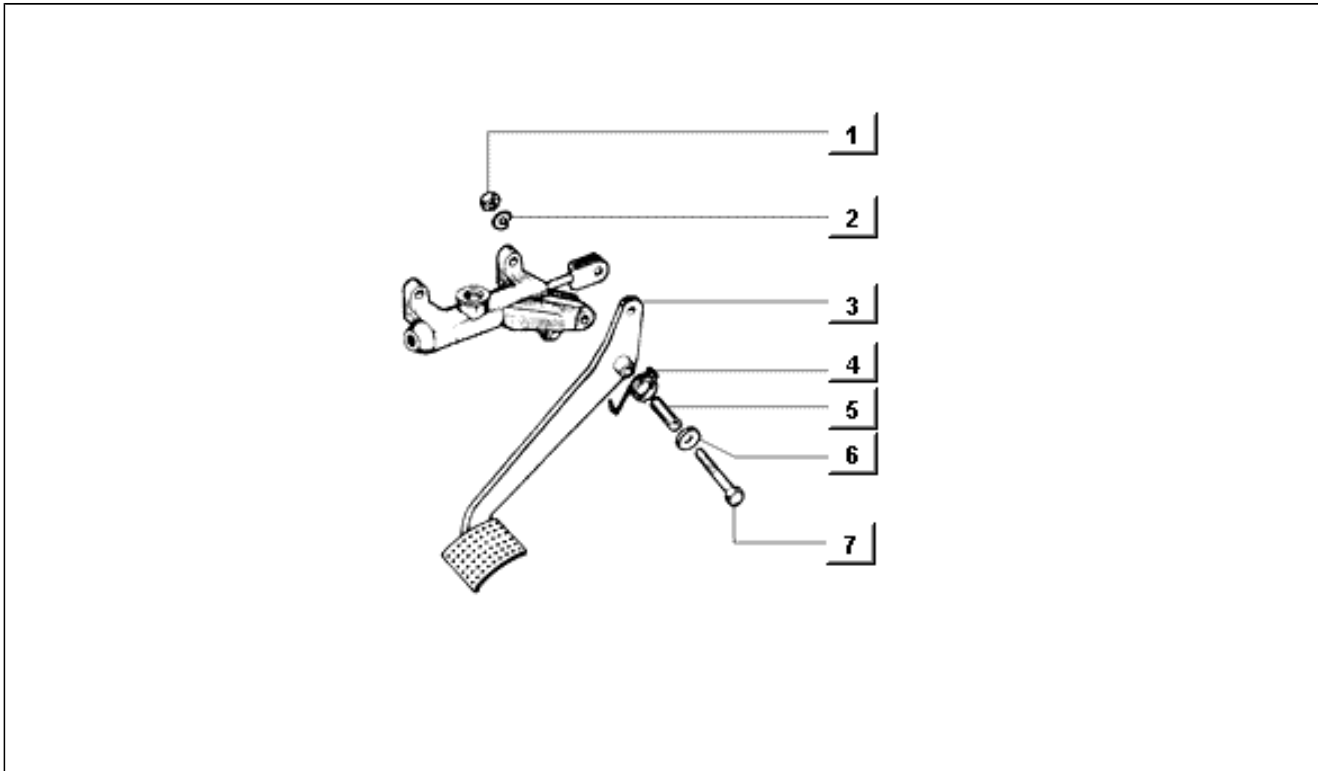
Pos.	Code	Description	Qty	Variants
1	116441	Drum	2	
1	261406	Handlebars shell	1	
2	003014	Washer	2	
2	2679035	Handlebars, assy.	1	
3	008080	Plate	2	
3	074521	Nut	2	
4	116097	Cone	2	
4	116298	Cone	1	
5	008455	Screw	2	
5	020108	Nut M8x6,5	10	
6	016408	Spring washer 13,75x8,15x4,5	10	
6	016670	Washer 4,5x12x1	2	
7	057939	Drift	2	
7	226352	Bolt	1	
8	117457	Rod	2	
8	126612	Washer	1	
9	267495	Spring	2	
10	116112	Spring	2	
11	4141315	Front jaw	2	
12	117456	Spring	4	
13	117450	Lever	1	
13	177451	Piston pin	1	
14	118205	Spring washer	2	
15	005965	Ring	2	
17	2705065	Left jaw	1	
17	2705075	Right jaw	1	

<b>Group</b>	Suspensions-Wheels
<b>Code</b>	T61
<b>Description</b>	Brake oil tank - stop switch
<b>Service</b>	1



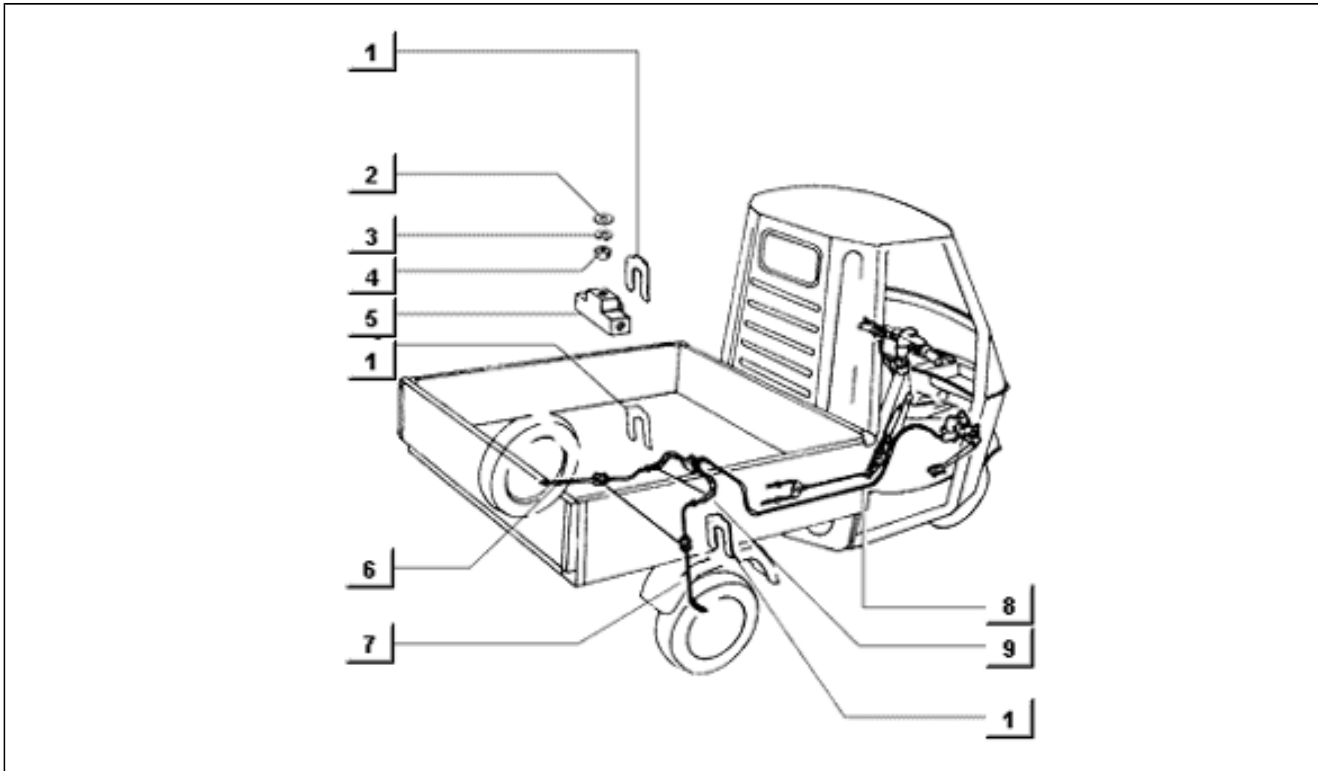
Pos.	Code	Description	Qty	Variants
1	247446	Hose clamp	1	
2	008432	Screw d3,5x9,5	1	
3	119597	Plug	1	
4	2466335	Brake oil tank	1	
5	020108	Nut M8x6,5	2	
6	016408	Spring washer 13,75x8,15x4,5	2	
7	012761	Split pin	1	
8	074451	Pin	1	
9	249519	Brakes pump	1	
10	016604	Washer	2	
11	031119	Screw	2	
12	020206	Nut	1	
13	076955	Screw	1	
14	214772	Switch	1	
15	219871	Square	1	
16	568636	Nut m12x1,5 h=7	2	
17	154868	Master cyl. overh. kit	1	

<b>Group</b>	Suspensions-Wheels
<b>Code</b>	T62
<b>Description</b>	Foot brake pedal
<b>Service</b>	1



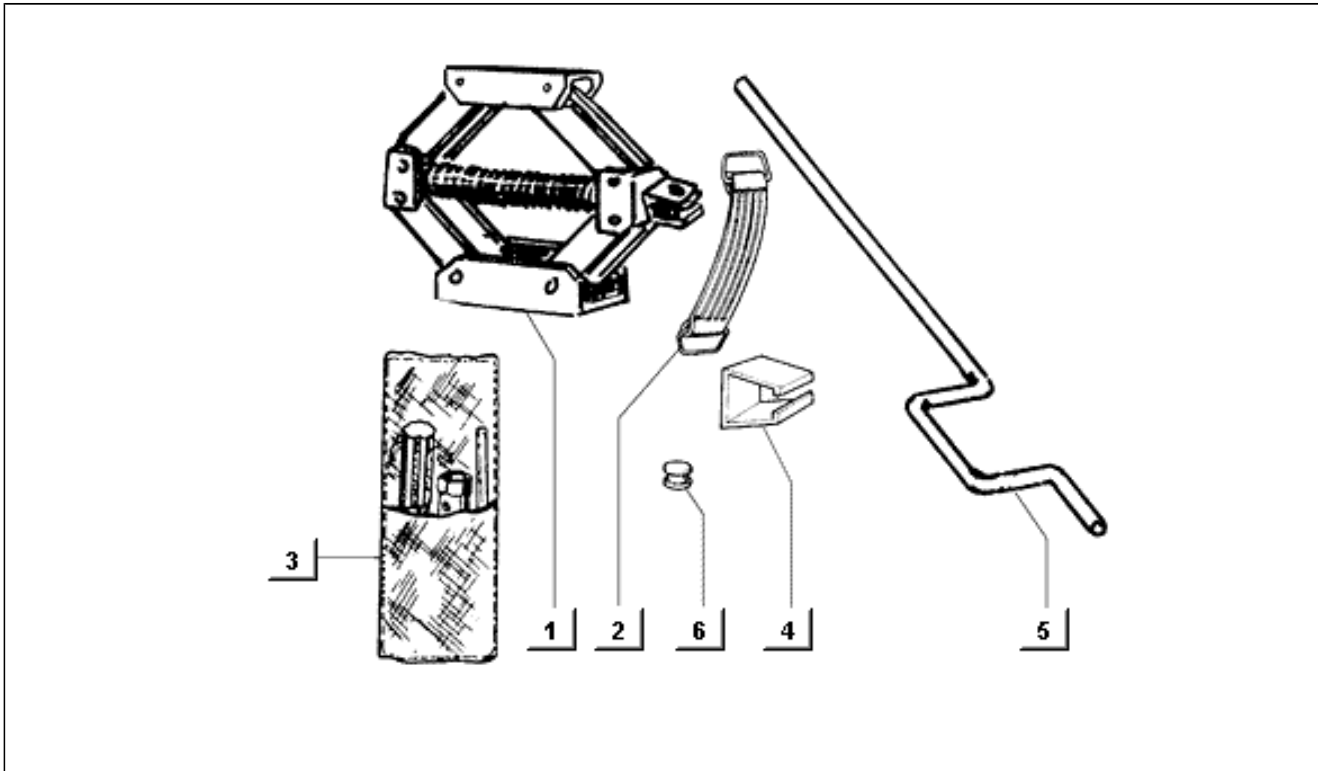
Pos.	Code	Description	Qty	Variants
1	020108	Nut M8x6,5	1	
2	016408	Spring washer 13,75x8,15x4,5	1	
3	117459	Brake pedal	1	
4	213550	Spring	1	
5	117464	Spacer	1	
6	016604	Washer	1	
7	030077	Bolt	1	

<b>Group</b>	Suspensions-Wheels
<b>Code</b>	T63
<b>Description</b>	Hydraulic brake system
<b>Service</b>	1



Pos.	Code	Description	Qty	Variants
1	119807	Front fork	3	
2	016406	Spring washer 6,4x11,8x1	1	
3	003056	Flat washer 6,4x12x1	1	
4	020106	Nut M6	1	
5	136371	Union	1	
6	174525	Piping	1	
7	174526	Piping	1	
8	174523	Pipe	1	
9	174524	Pipe	2	

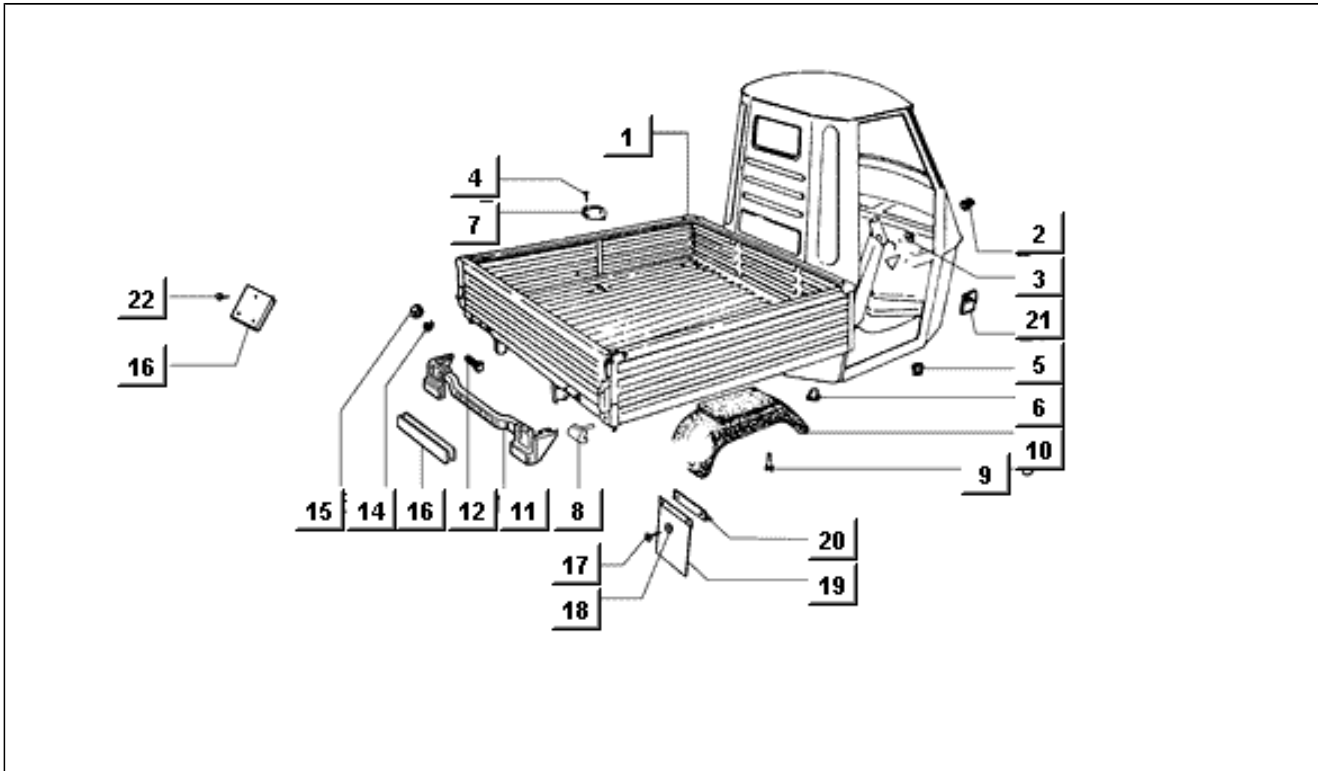
<b>Group</b>	Suspensions-Wheels
<b>Code</b>	T81
<b>Description</b>	Tool kit
<b>Service</b>	1



Pos.	Code	Description	Qty	Variants
1	0911187Z01000	Jack	1	
2	090854	Strip	1	
3	561866	Tool roll	1	
4	5811787Z01000	Jack bracket	1	
5	0911387Z01000	Jack handle	1	
6	9004468084000	Hose clamp	1	

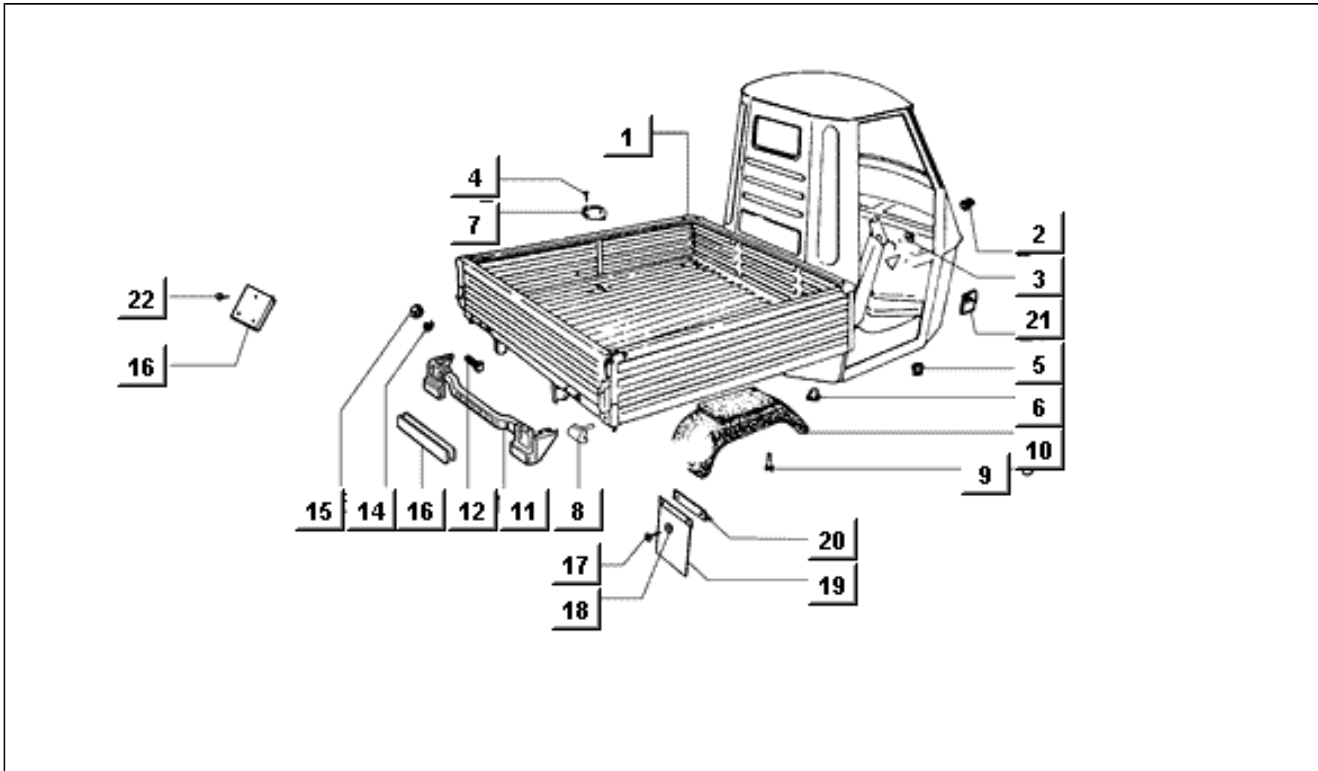


<b>Group</b>	Chassis
<b>Code</b>	T30
<b>Description</b>	Frame - mudguard
<b>Service</b>	1



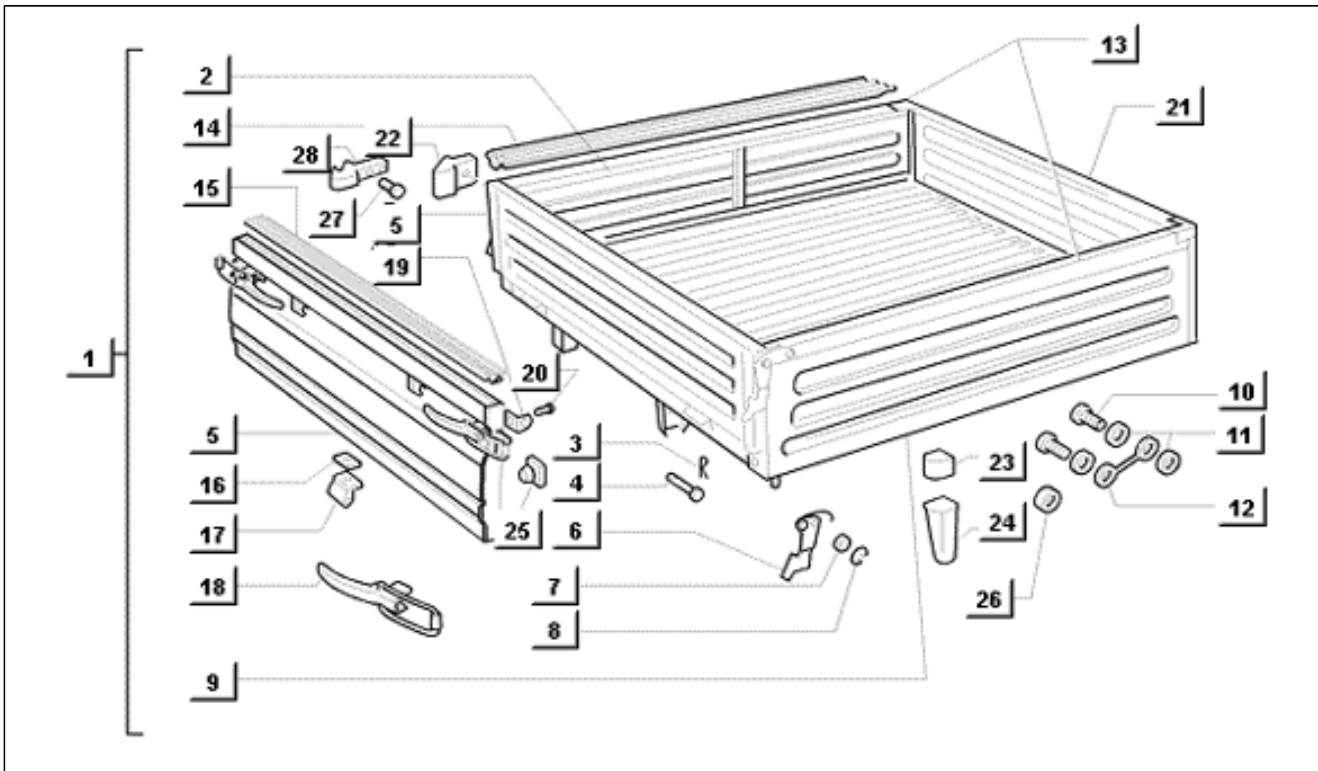
Pos.	Code	Description	Qty	Variants
1	568493	Frame	1	
1	568494	Frame	1	
1	568495	Frame	1	
1	568496	Frame	1	
1	CM031801	Frame	1	
1	CM031802	Frame	1	
1	CM031803	Frame	1	
1	CM031804	Frame	1	
1	CM031805	Frame	1	
2	230329	Cap	1	
3	090958	Plug	2	
4	008432	Screw d3,5x9,5	4	
5	190567	Plug	1	
6	119241	Plug	3	
7	225814	Cover	2	
8	127046	Drift	2	
9	244474	Rivet	8	
10	567177	Front mudguard	1	
10	567178	Front mudguard	1	
11	566964	Front bumper	1	
11	567180	Fender	1	
12	031116	Hex socket screw	4	
13	255988	Drift	2	
14	016408	Spring washer 13,75x8,15x4,5	4	
15	020108	Nut M8x6,5	4	
16	567839	Strip	1	
17	298930	Rivet	8	
18	109329	Washer	4	

<b>Group</b>	Chassis
<b>Code</b>	T30
<b>Description</b>	Frame - mudguard
<b>Service</b>	1



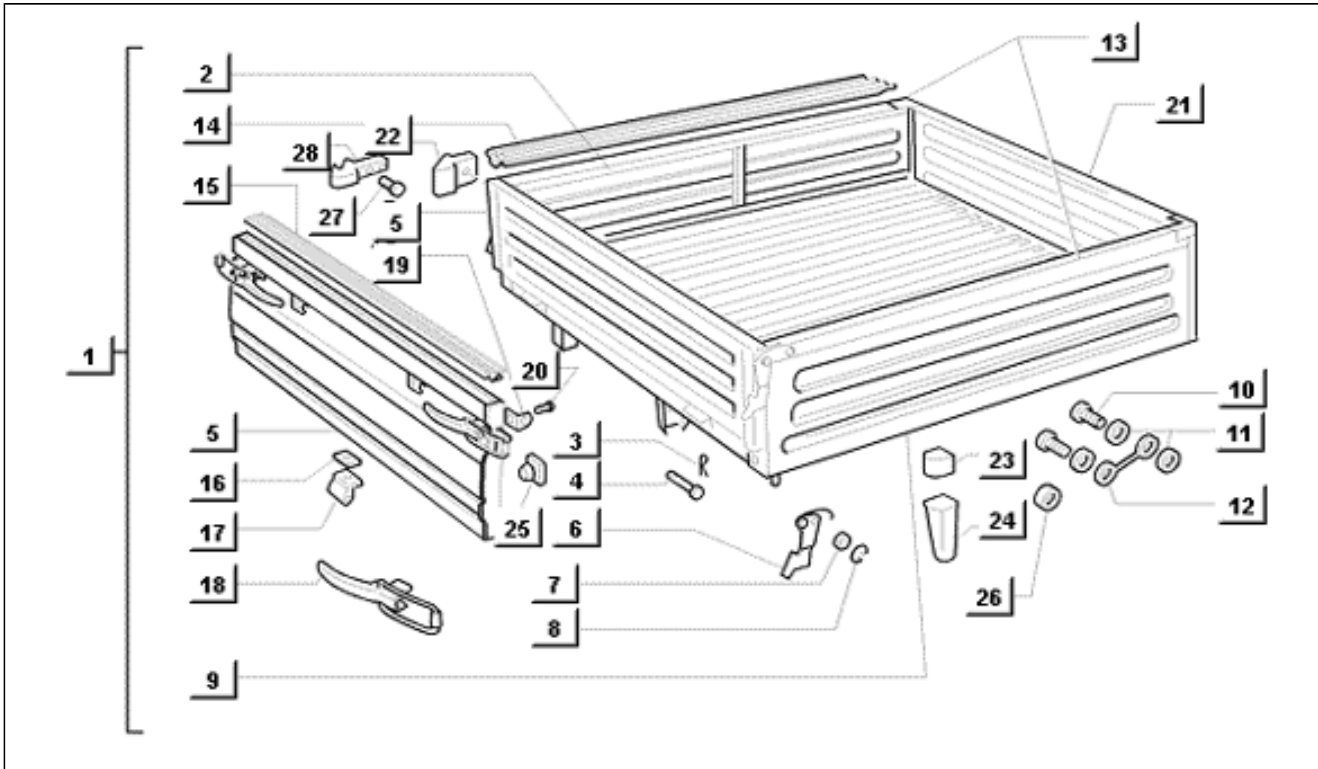
Pos.	Code	Description	Qty	Variants
19	264097	Splash guard	2	
20	264165	Square	2	
21	264166	LH clamp	1	
21	264660	RH clamp	1	

<b>Group</b>	Chassis
<b>Code</b>	T31
<b>Description</b>	Component parts of the frame (open box body)
<b>Service</b>	1



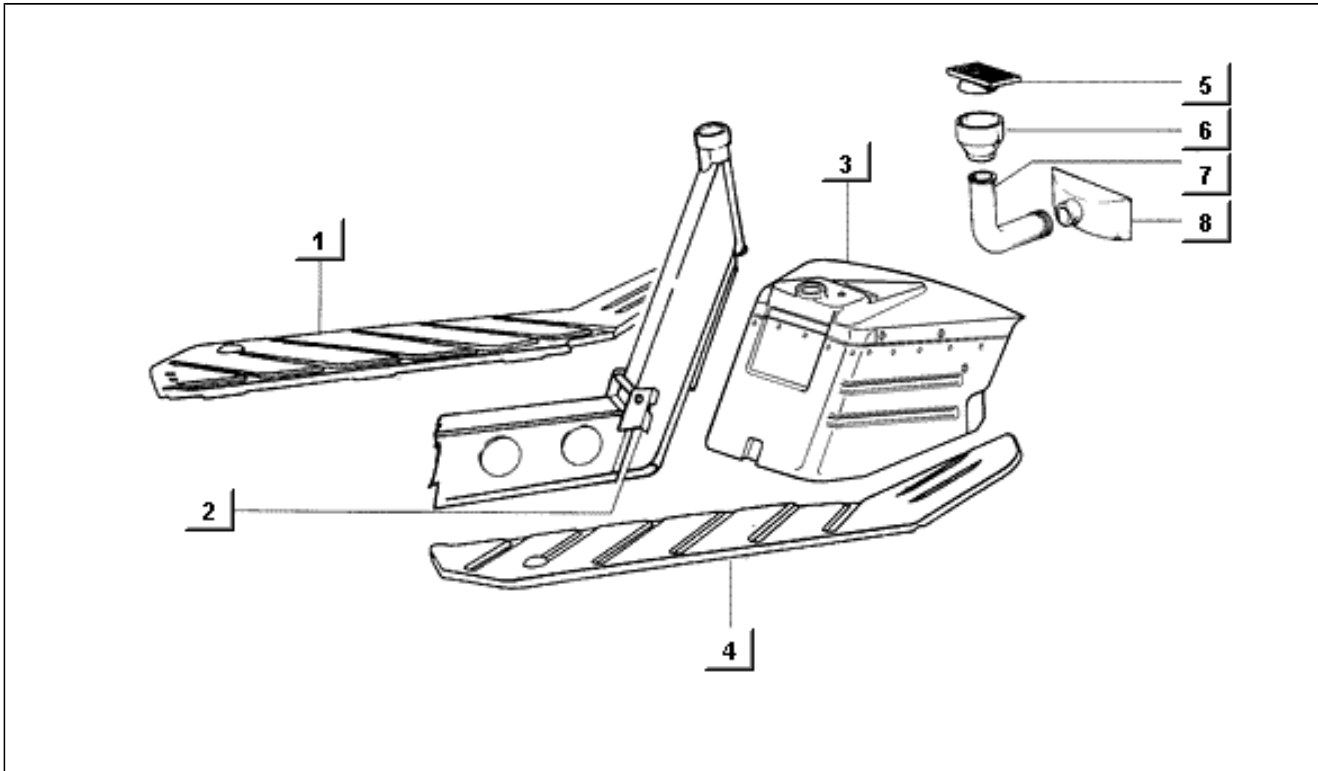
Pos.	Code	Description	Qty	Variants
1	568476	Trunk deck	1	
1	568487	Trunk deck	1	
1	5684875	Trunk deck	1	
1	568489	Trunk deck	1	
1	568491	Trunk deck	1	
1	568492	Trunk deck	1	
1	CM0306015	Flatcar cpl ap	1	
1	CM0306025	Flatcar cpl ap	1	
1	CM0306035	Flatcar cpl ap	1	
2	566918	Board	1	
2	CM031402	Board	1	
2	CM031404	Board	1	
3	012761	Split pin	2	
4	090742	Pin	2	
5	5653886	Rear flap	1	
5	566920	Flap	1	
6	116627	Battery handle	1	
6	118917	Battery handle	1	
7	016604	Washer	6	
8	005967	Ring	2	
9	566919	Board	1	
9	CM031401	Board	1	
9	CM031403	Board	1	
10	031091	Hex screw M6x22	4	
10	263129	Screw	2	
11	569383	Washer	6	
12	565779	Wire	2	
12	599384	Wire	2	

<b>Group</b>	Chassis
<b>Code</b>	T31
<b>Description</b>	Component parts of the frame (open box body)
<b>Service</b>	1



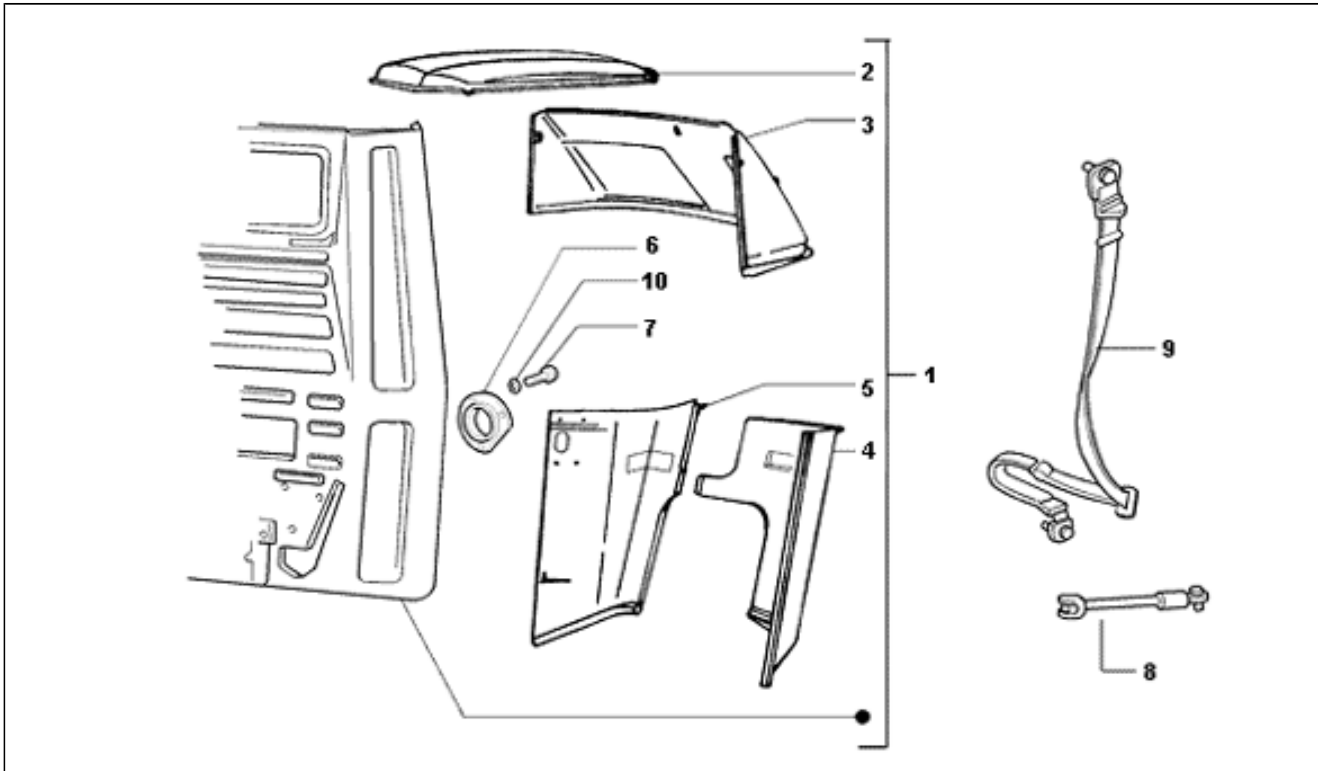
Pos.	Code	Description	Qty	Variants
13	566917	Side and rear board kit	1	
14	566926	Gasket	2	
15	566927	Gasket	1	
16	565869	Plate	2	
17	566941	Hinge	2	
18	264785	Rear lever	2	
19	264948	Chain attachment	1	
20	264783	Screw	6	
21	5671205	Load bed without sides	1	
22	566924	Rear post	1	
22	566925	Rear post	1	
23	567136	Upper angle piece	1	
23	567137	Upper angle piece	1	
24	567134	Lower angle piece	1	
24	567135	Lower angle piece	1	
25	6614787Z00100	Lever pad	2	
26	184400	Rear spacer	2	
27	264783	Screw	2	
28	264778	Hook	2	
29	5684875	Trunk deck	1	
30	5684925	Trunk deck	1	
31	5684895	Trunk deck	1	
32	5684915	Trunk deck	1	
33	5684765	Heat shield plate	1	

<b>Group</b>	Chassis
<b>Code</b>	T32
<b>Description</b>	Component parts of the frame
<b>Service</b>	1



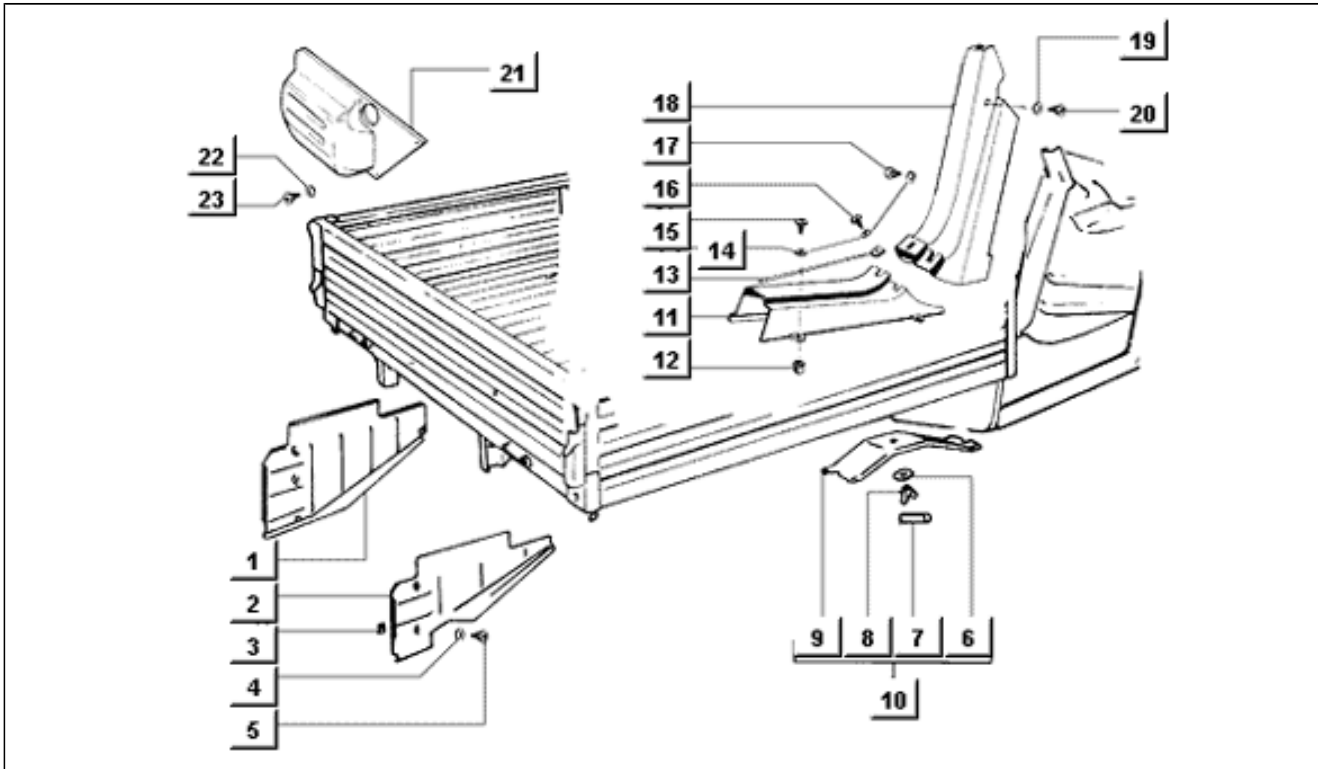
Pos.	Code	Description	Qty	Variants
1	5671115	Lh floorplate	1	
2	258637	Support	1	
3	5671415	Wheel compartment	1	
4	2560755	Rh footplate	1	
5	264151	Selvage	1	
6	264082	Air intake union	1	
7	264081	Pipe	1	
8	264110	Air intake	1	

<b>Group</b>	Chassis
<b>Code</b>	T33
<b>Description</b>	Component parts of the frame (cabin)
<b>Service</b>	1



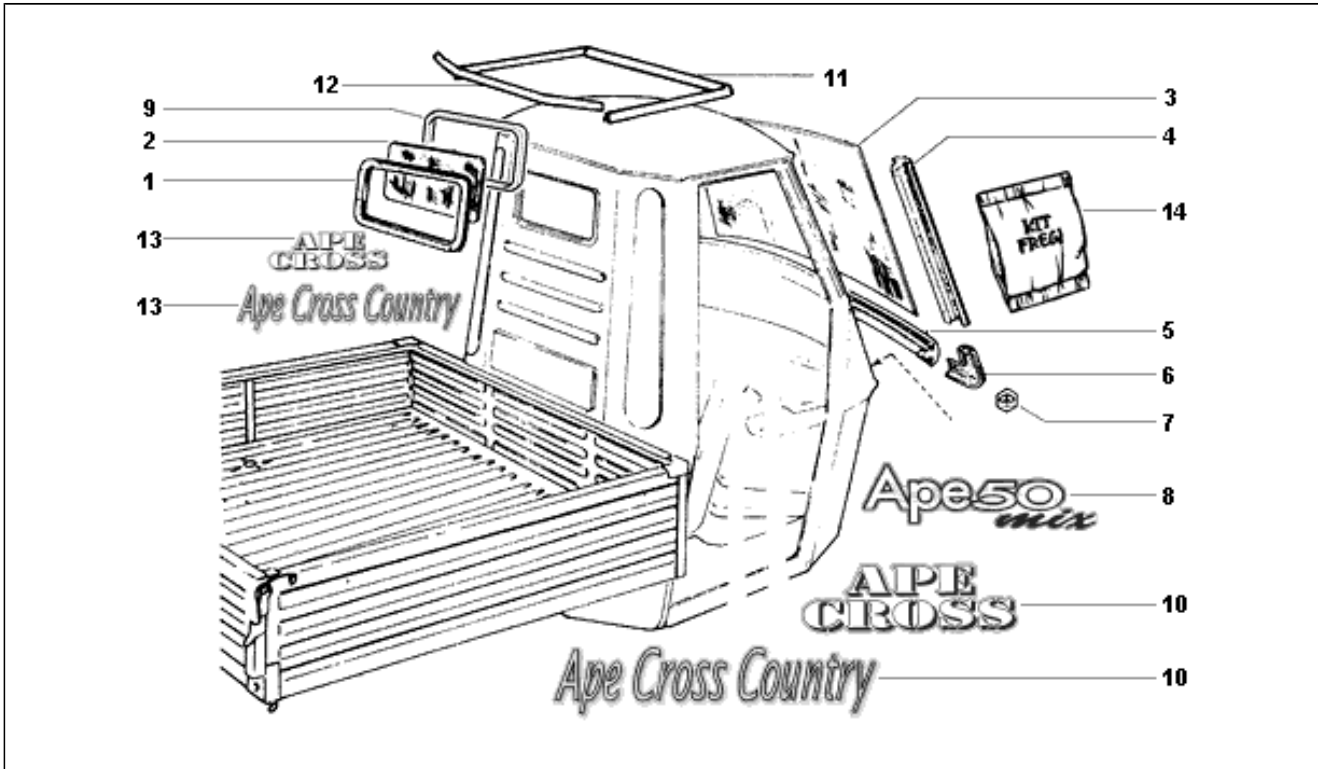
Pos.	Code	Description	Qty	Variants
1	CM031601	Cabin	1	
1	CM031602	Cabin	1	
1	CM031603	Cabin	1	
2	2325716	Body ceiling	1	
3	2641565	Front booby hatch	1	
3	568610	Front booby hatch	1	
4	2640745	Shield cabin	1	
5	2640735	Shield cabin	1	
6	567084	Plug	1	
7	008432	Screw d3,5x9,5	3	
8	566900	Safety belt	1	
9	56538R	Safety belt	1	
9	566909	Safety belt	1	
10	003054	Washer 4,3x8x0,5	3	

<b>Group</b>	Chassis
<b>Code</b>	T34
<b>Description</b>	Spare wheel bracket
<b>Service</b>	1



Pos.	Code	Description	Qty	Variants
1	119839	Protection sheet	1	
2	264101	Protection sheet	1	
2	612844	Protection sheet	1	
3	008080	Plate	4	
4	013763	Washer 4,2x12x1	4	
5	008455	Screw	4	
6	016626	Plain washer 10,4x18x2	1	
7	049172	Jet Needle	1	
8	015340	Nut	1	
9	116946	Clamp	1	
10	153919	Spare wheel fast.	1	
11	199190	Slide piece	4	
12	261402	Lower protect.	1	
13	196272	Plate	1	
14	016670	Washer 4,5x12x1	6	
15	015859	Screw	4	
16	015911	Screw	1	
17	015859	Screw	1	
18	261401	Upper protect.	1	
19	016670	Washer 4,5x12x1	1	
20	015859	Screw	1	
21	264103	Rear protect. sheet	1	
22	016670	Washer 4,5x12x1	4	
23	015911	Screw	4	

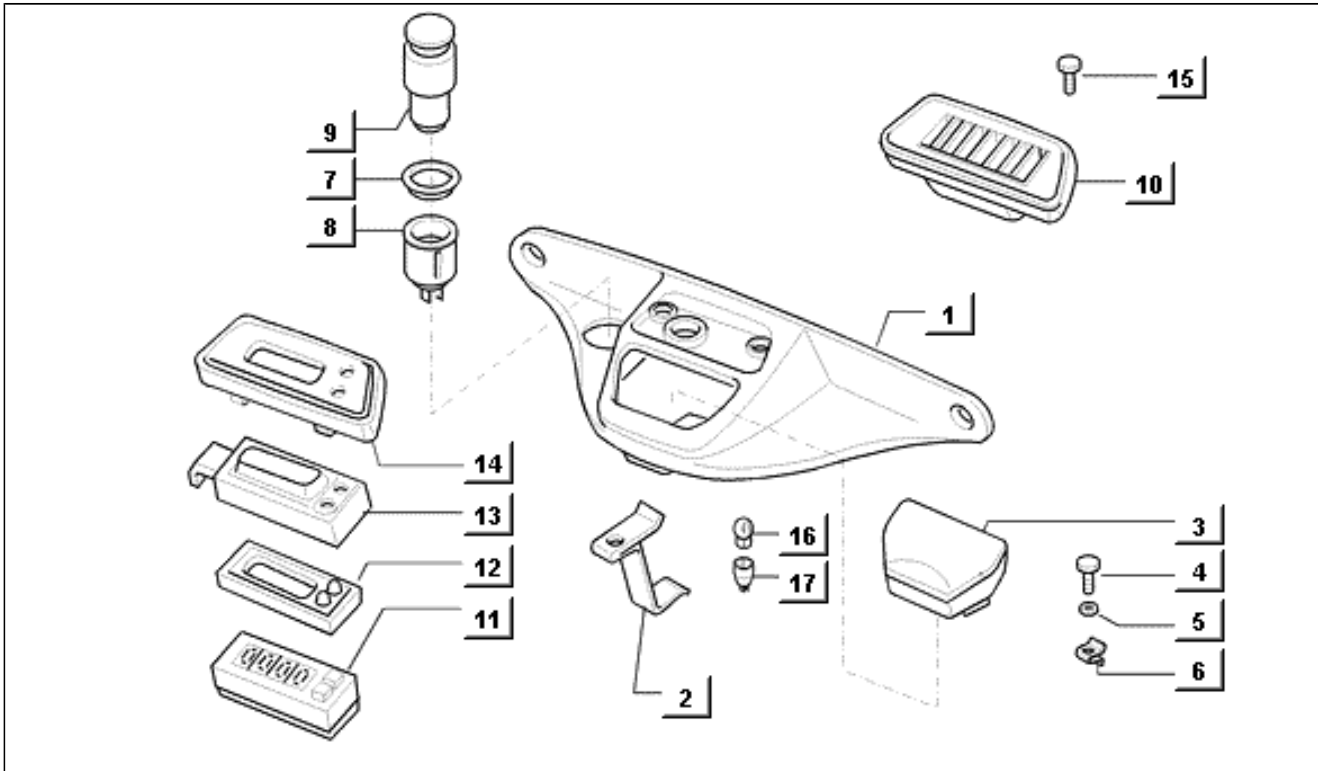
<b>Group</b>	Chassis
<b>Code</b>	T35
<b>Description</b>	Windscreen - rear screen
<b>Service</b>	1



Pos.	Code	Description	Qty	Variants
1	232679	Gasket	1	
2	231726	Glass	1	
3	231687	Windshield	1	
3	264668	Layered windscreen	1	
3	612757	Windshield	1	
4	216021	Side beading	2	
5	234471	Lower beading	1	
6	234470	Angle bar	2	
7	567837	Front cover	1	
8	567428	Name plate "Ape 50 mix"	1	
9	567541	Gasket	1	
10	567432	Name plate "Ape Cross"	2	
10	568911	Plate "Ape Cross Country"	2	
11	565413	Ornament	1	
12	565418	Ornament	1	
13	567433	Name plate "Ape Cross"	2	
13	568912	Plate "Ape Cross Country"	2	
14	658400	Trimmings kit Ape "Mad Cow"	1	

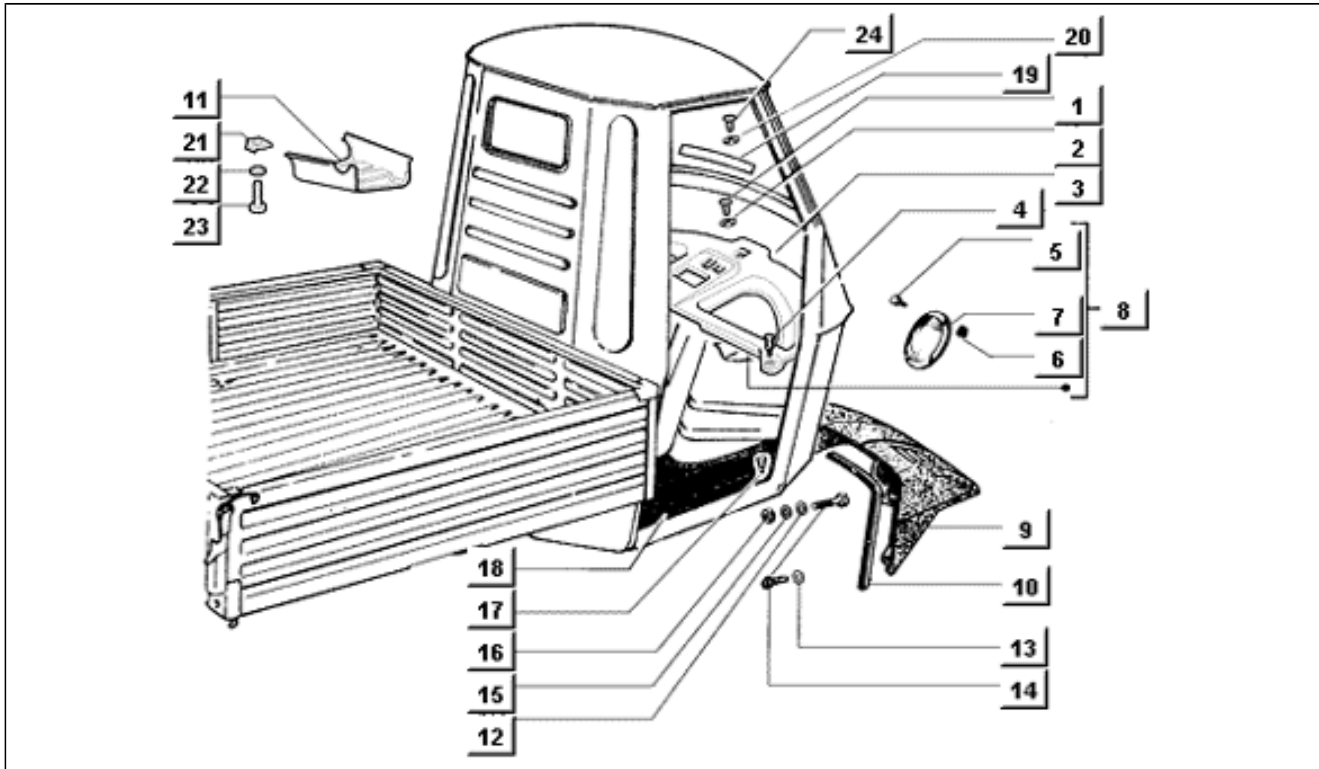


<b>Group</b>	Chassis
<b>Code</b>	T36
<b>Description</b>	Upper central dashboard
<b>Service</b>	1



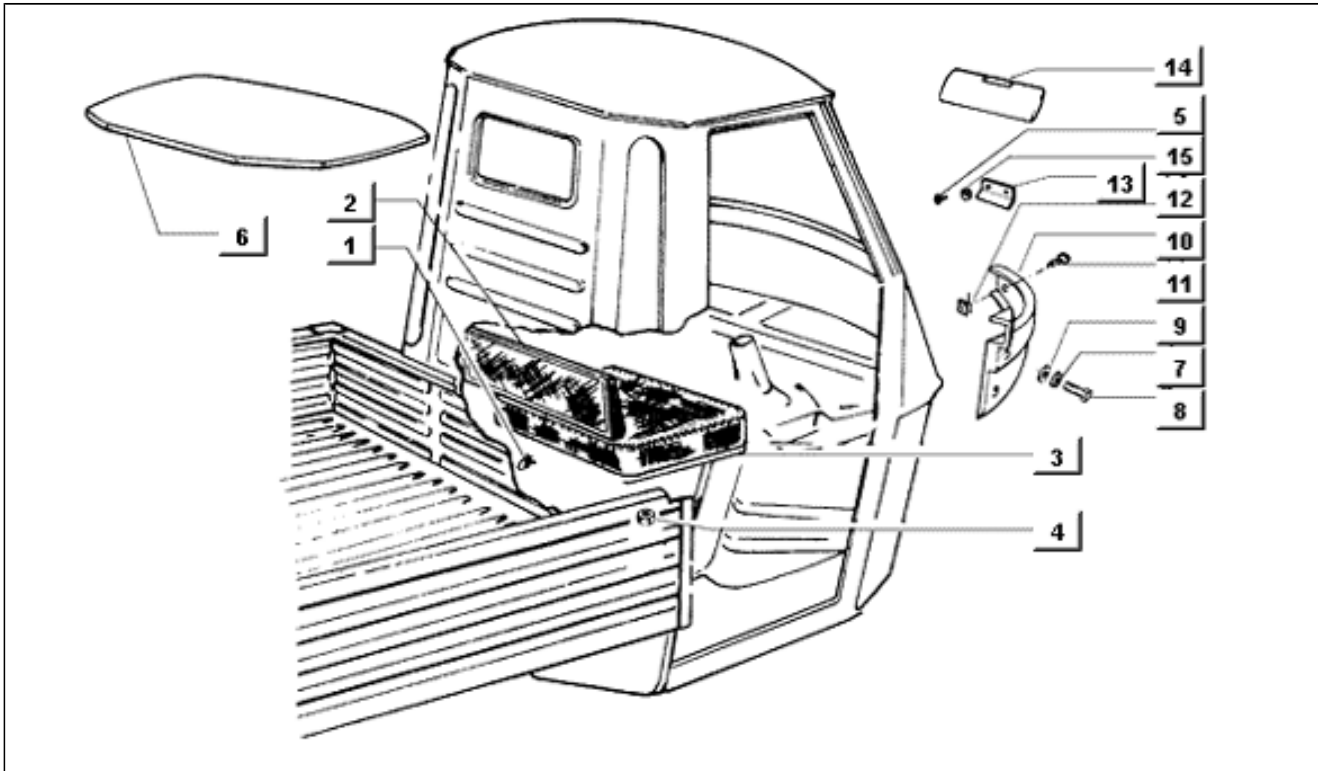
Pos.	Code	Description	Qty	Variants
1	567191	Upper central dashboard	1	
2	567108	Clamp	1	
3	178745	Ash-try	1	
4	018536	Self-tap screw 3,5x13	1	
5	256382	Washer	1	
6	008096	Spring plate	1	
7	565559	Luminous ring	1	
8	565560	-	1	
9	565429	Electric lighter	1	
10	567196	Coin tray cover	1	
11	580886	Digital clock	1	
12	580887	Gasket	1	
13	580888	Glass	1	
14	567194	Cover	1	
15	008432	Screw d3,5x9,5	2	
16	164634	Lamp	1	
17	217100	Lampholder	1	

<b>Group</b>	Chassis
<b>Code</b>	T37
<b>Description</b>	Front mudguard - dashboard
<b>Service</b>	1



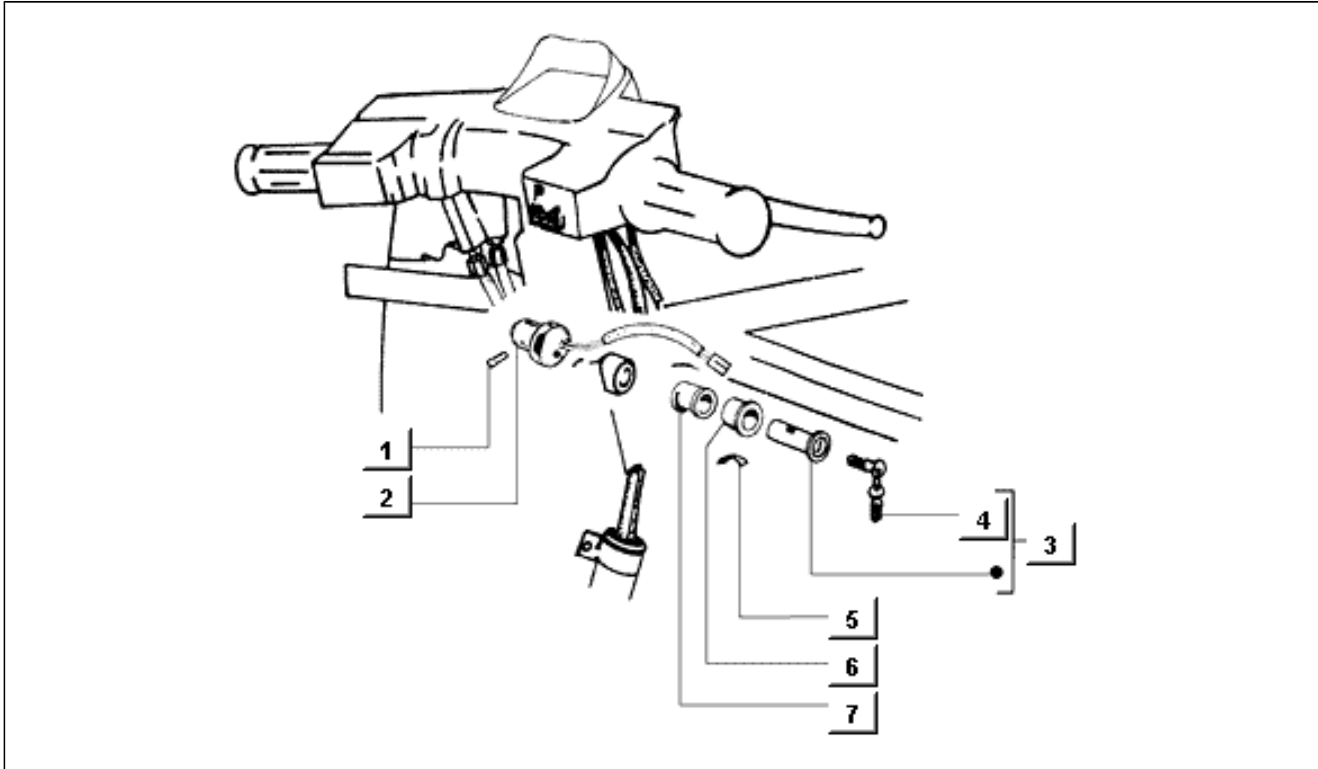
Pos.	Code	Description	Qty	Variants
1	031056	Screw	1	
2	004021	Washer	1	
3	CM031101	Dashboard panel	1	
4	118259	Plug	3	
5	015911	Screw	8	
6	008080	Plate	8	
7	263272	Protection	2	
8	568939	Dashboard panel	1	
9	567168	Front mudguard	1	
10	184598	Gasket	1	
11	567060	Oddment tray	1	
12	078307	Washer	2	
13	013880	Flat washer 16x6,5x1,5	4	
14	031089	Hex screw M6x18	4	
15	003054	Washer 4,3x8x0,5	2	
16	020006	Nut	2	
17	414948	Rubber nail	4	
18	CM030901	Mat	1	
18	CM030902	Mat	1	
18	CM030903	Mat	1	
18	CM030906	Mat	1	
19	567195	Beading	1	
20	256382	Washer	2	
21	008096	Spring plate	3	
22	256382	Washer	3	
23	018536	Self-tap screw 3,5x13	3	
24	018536	Self-tap screw 3,5x13	2	

<b>Group</b>	Chassis
<b>Code</b>	T38
<b>Description</b>	Seat cushion - seat back
<b>Service</b>	1



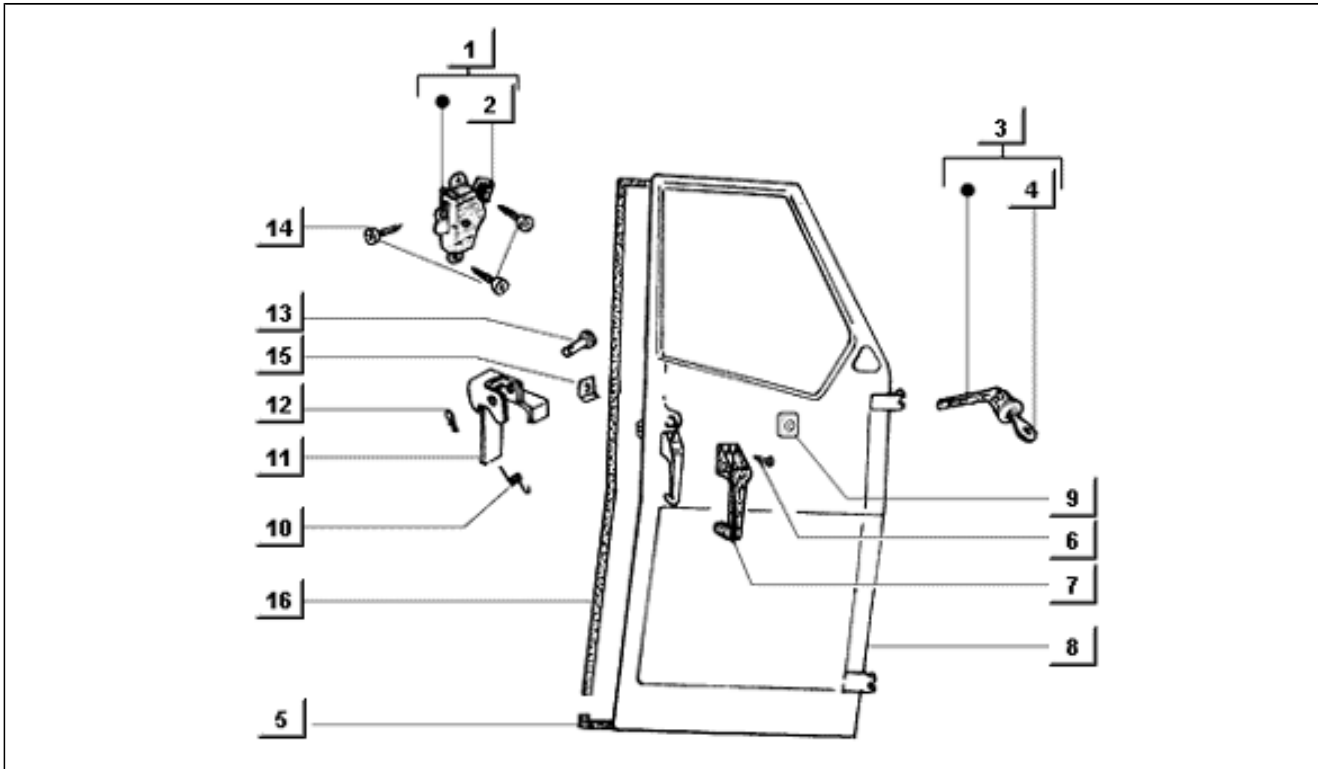
Pos.	Code	Description	Qty	Variants
1	194721	Clip	2	
2	CM030801	Seat back	1	
2	CM030802	Seat back	1	
3	CM031501	Pillon seat	1	
3	CM031502	Pillon seat	1	
4	9165160620000	Bolt	2	
5	9356055014000	Screw	2	
6	CM031001	Panel	1	
7	013836	Washer	4	
8	258403	Screw	4	
9	190479	Gasket	4	
10	567169	Front bumper	1	
10	567170	Front bumper	1	
11	258407	Screw	2	
12	258408	Plate	2	
13	264252	Clamp	1	
14	264520	Sun-visor	1	
15	097733	Flat washer 5,3x14x1	2	

<b>Group</b>	Chassis
<b>Code</b>	T39
<b>Description</b>	Lock - key
<b>Service</b>	1



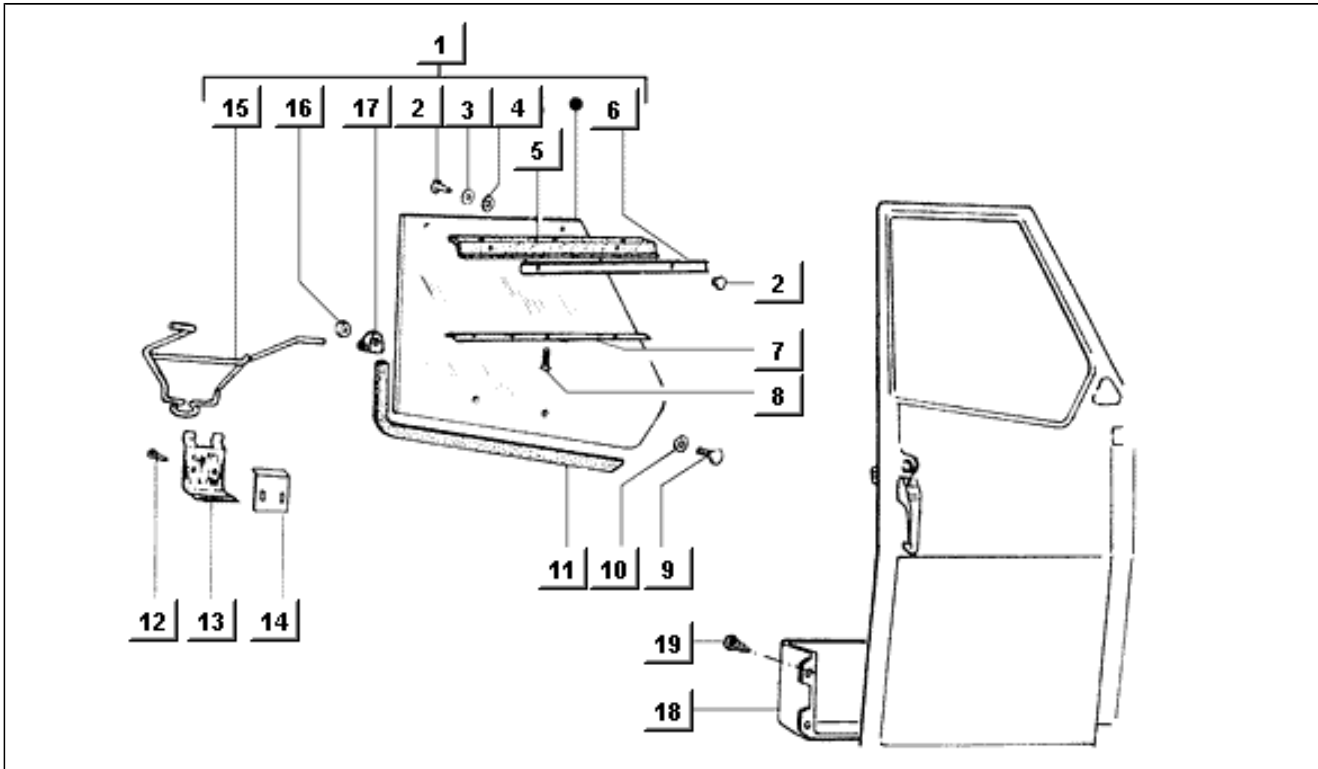
Pos.	Code	Description	Qty	Variants
1	018515	Dowel	1	
2	291582	Switch	1	
3	567078	Cylinder set	1	
3	568366	Cylinder set	1	
4	255557	Key blank	1	
5	178559	Plate	1	
6	178558	Lock body	1	
7	178562	Block	1	

<b>Group</b>	Chassis
<b>Code</b>	T40
<b>Description</b>	Doors - door lock
<b>Service</b>	1



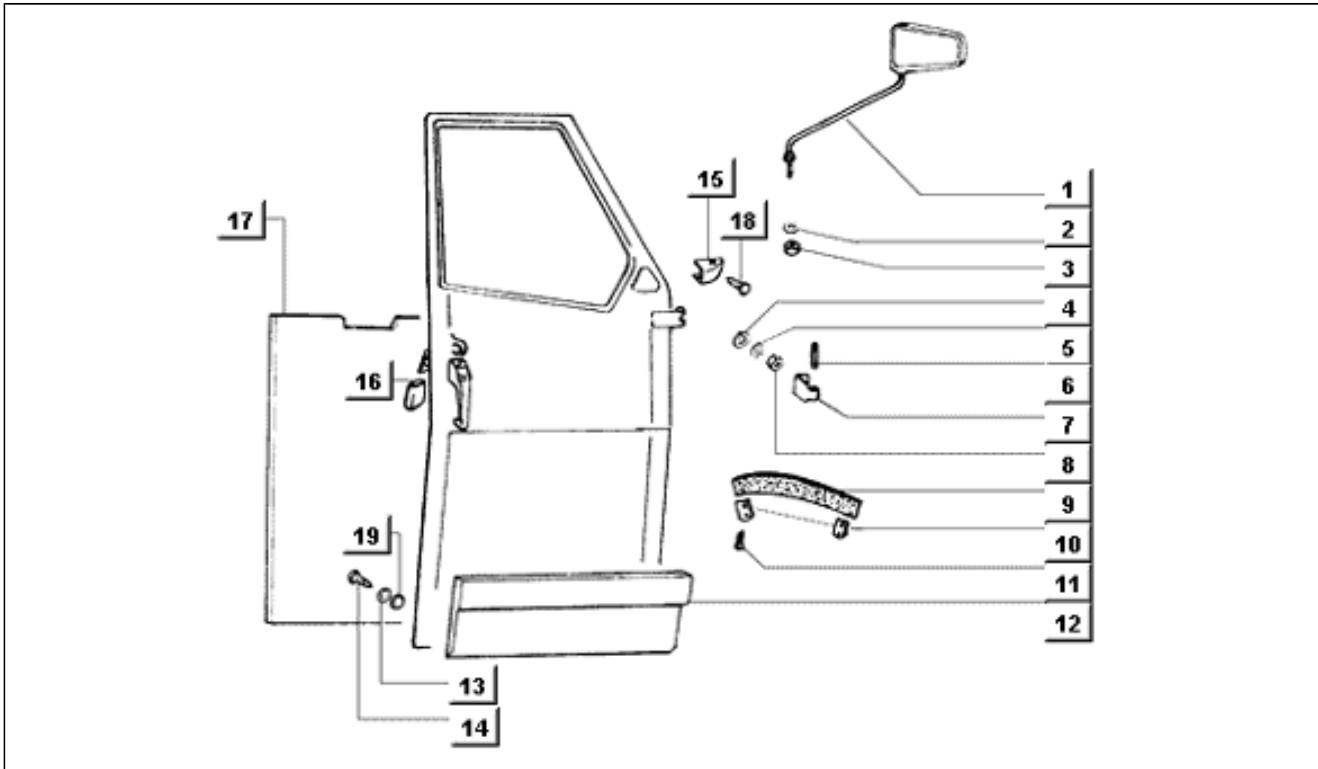
Pos.	Code	Description	Qty	Variants
1	567611	Clamp bar	1	
2	1826654	Block assembly	1	
3	567078	Cylinder set	1	
3	568366	Cylinder set	1	
4	255557	Key blank	1	
5	567340	Lower gasket	2	
5	644754	Lower gasket	2	
6	258403	Screw	2	
7	567174	Battery handle	2	
8	5671505	Door left w.p.l. a	1	
8	5671515	Door right w.p.l. a	1	
9	567166	Button cover	2	
10	116635	Spring	1	
10	118625	Spring	1	
11	567152	Battery handle	1	
11	567154	Battery handle	1	
12	012768	Split pin	2	
13	024201	Pin	2	
14	008432	Screw d3,5x9,5	3	
15	193994	Plate	2	
16	567338	Upper gasket	1	
16	567339	Upper gasket	1	
16	644767	Upper gasket	1	
16	644768	Upper gasket	1	

<b>Group</b>	Chassis
<b>Code</b>	T41
<b>Description</b>	Window
<b>Service</b>	1



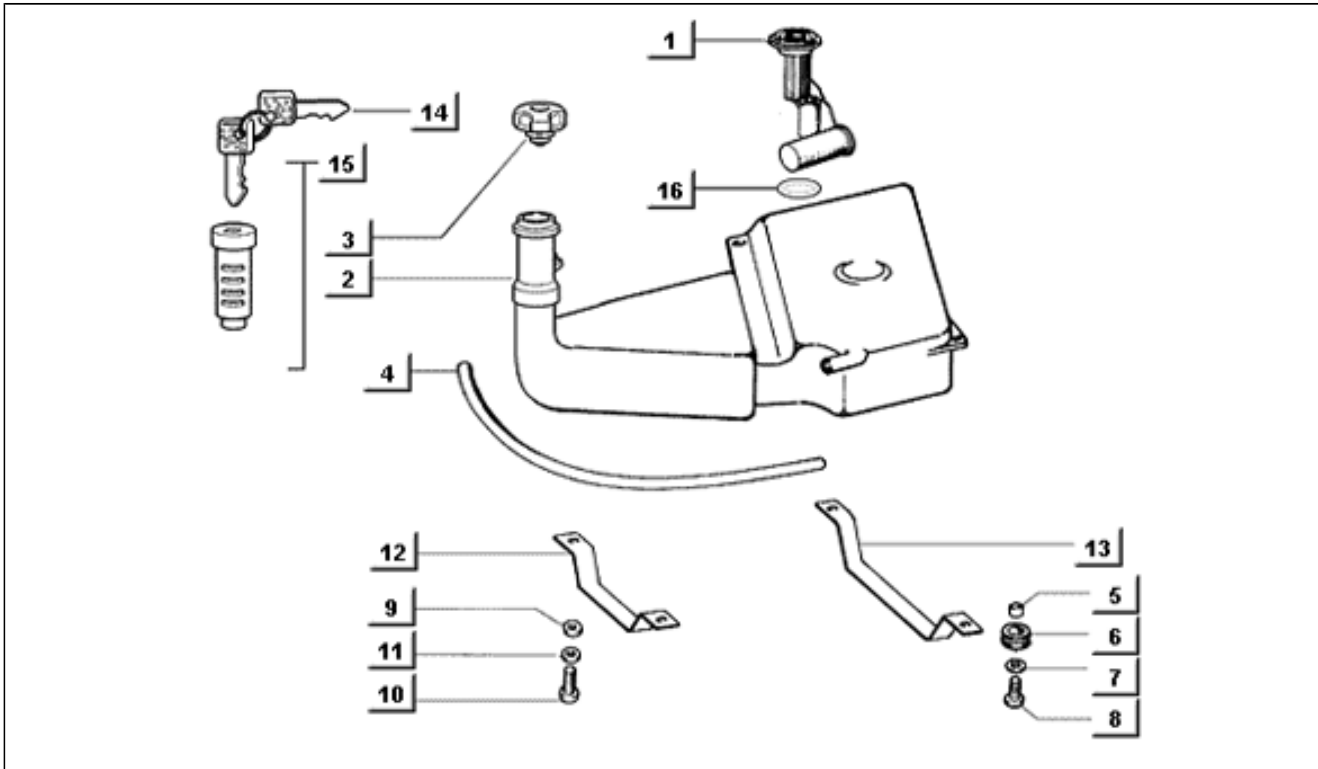
Pos.	Code	Description	Qty	Variants
1	566991	Window	1	
1	566992	Window	1	
2	567604	Rivet	4	
3	567601	Washer	4	
4	567602	Washer	4	
5	567556	Strip	2	
6	1873034	Crosspiece	2	
7	187305	Strip	2	
8	000675	Screw	6	
9	567607	Bolt	4	
10	567603	Washer	4	
11	259264	Gasket	2	
11	567540	Gasket	2	
12	008432	Screw d3,5x9,5	4	
13	567610	Spring	2	
14	567558	Plate	2	
15	566990	Boom	2	
16	020105	Nut	4	
17	567606	Hinge	4	
18	261409	Bag	2	
19	015994	Screw 3,5x19*	4	

<b>Group</b>	Chassis
<b>Code</b>	T42
<b>Description</b>	Driving mirror
<b>Service</b>	1



Pos.	Code	Description	Qty	Variants
1	565061	Mirror	1	
1	565062	Mirror	1	
1	569614	LH rearview mirror	1	
1	569615	RH rearview mirror	1	
2	258763	Washer	2	
3	014341	Nut	4	
4	013861	Plain washer 20x8,2x2,5	4	
5	012540	Notched washer	4	
6	008851	Pin	4	
7	193851	Hinge	2	
8	020108	Nut M8x6,5	4	
9	175074	Belt	2	
10	567605	Plate	4	
11	008432	Screw d3,5x9,5	8	
12	567148	Panel	1	
12	567149	Panel	1	
13	190479	Gasket	6	
14	258403	Screw	6	
15	567179	Guard	2	
15	567185	Guard	1	
16	261405	Protection	1	
17	CM030701	Panel	1	
17	CM030702	Panel	1	
17	CM030703	Lh front door panel	1	
17	CM030704	Rh front door panel	1	
18	015911	Screw	2	
19	013763	Washer 4,2x12x1	6	

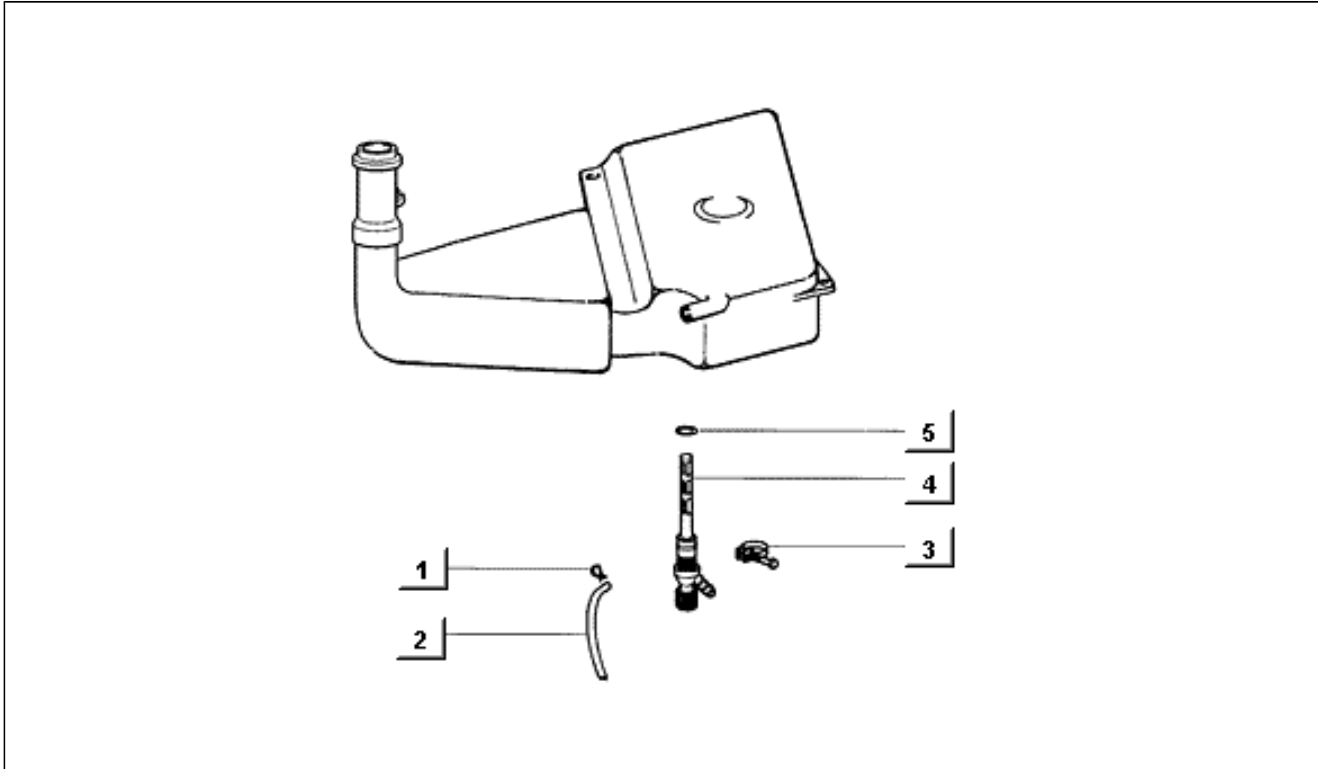
<b>Group</b>	Chassis
<b>Code</b>	T43
<b>Description</b>	Fuel tank
<b>Service</b>	1



Pos.	Code	Description	Qty	Variants
1	291530	Fuel level gauge	1	
2	567073	Fuel tank	1	
2	568254	Fuel tank	1	
3	567076	Fuel filler cap and lock	1	
3	568365	Fuel filler cap and lock	1	
4	CM031701	Pipe	1	
5	256416	Spacer	2	
6	256415	Drift	2	
7	016406	Spring washer 6,4x11,8x1	2	
8	031089	Hex screw M6x18	2	
9	016406	Spring washer 6,4x11,8x1	2	
10	031089	Hex screw M6x18	2	
11	016673	Washer	2	
12	255800	Band	1	
13	255799	Band	1	
14	255557	Key blank	1	
15	567078	Cylinder set	1	
15	568366	Cylinder set	1	
16	258161	Gasket	1	

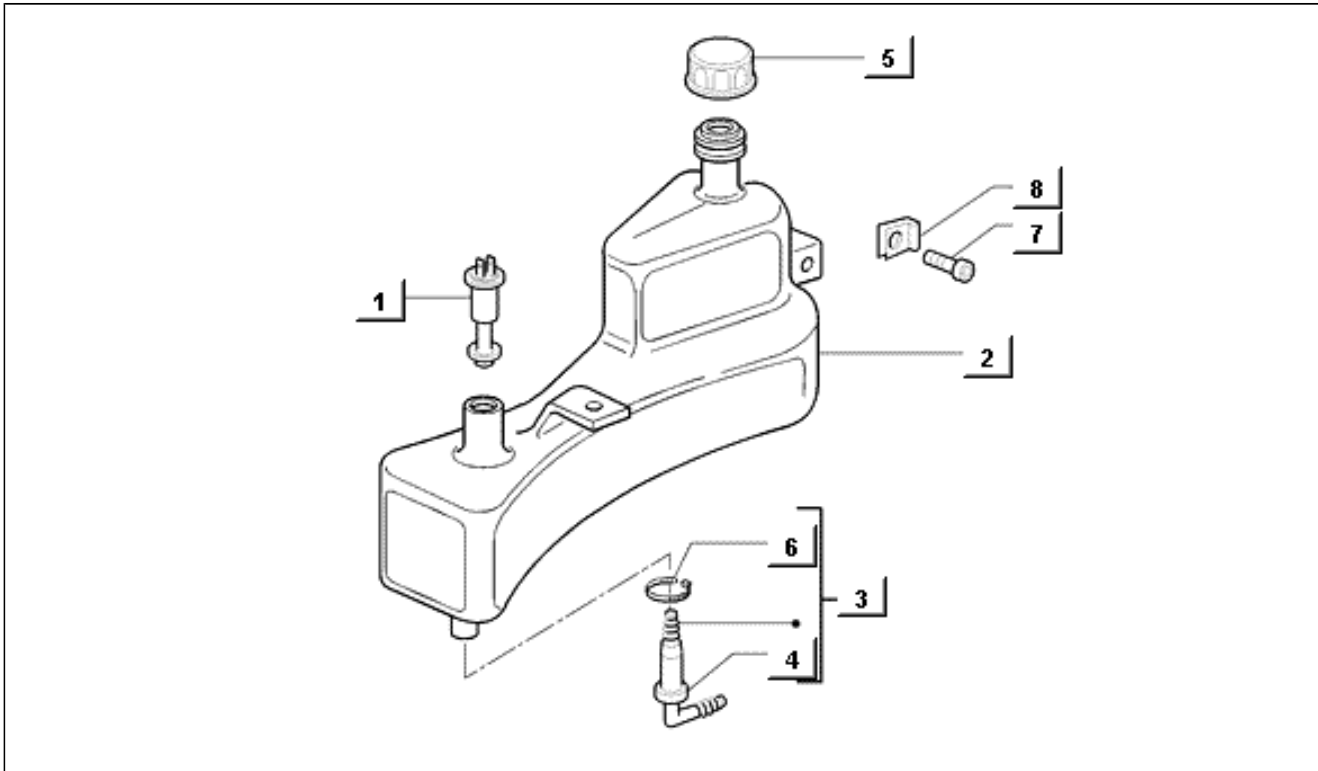


<b>Group</b>	Chassis
<b>Code</b>	T44
<b>Description</b>	Fuel cock
<b>Service</b>	1



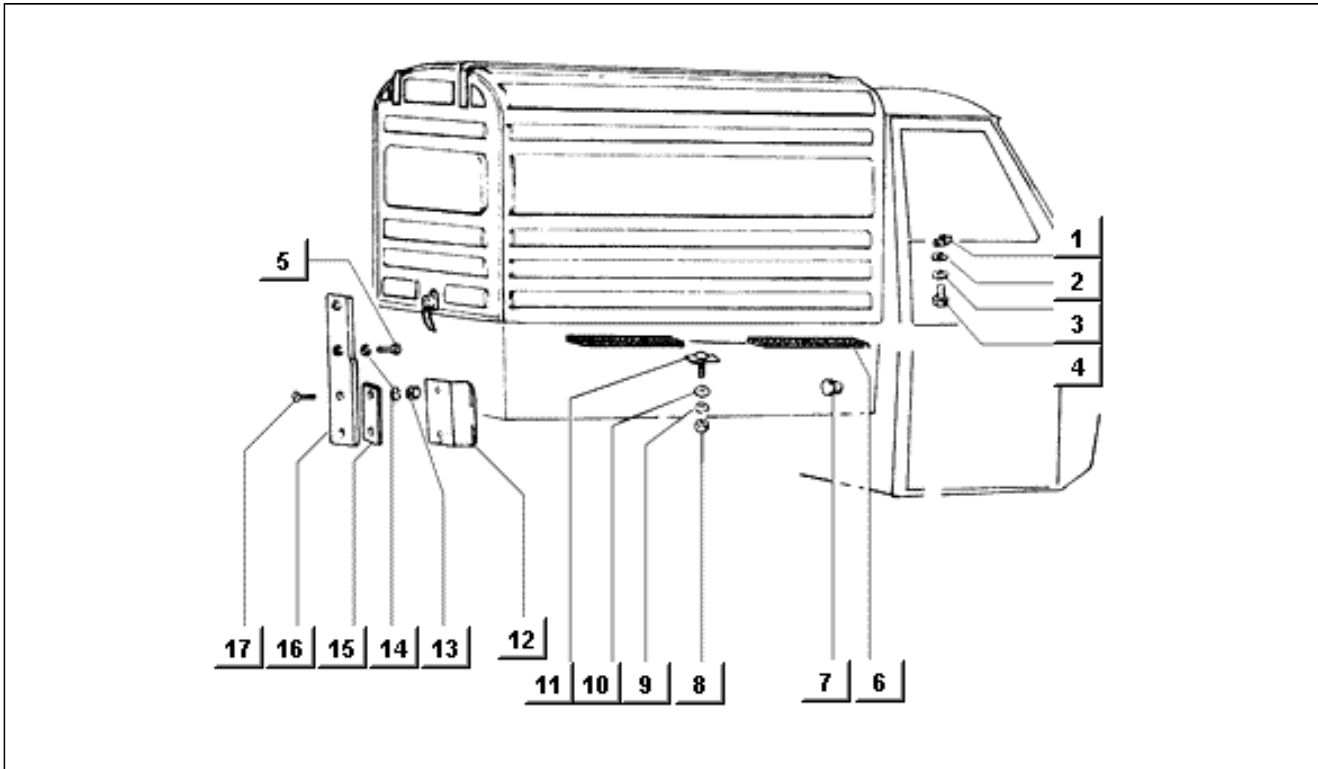
Pos.	Code	Description	Qty	Variants
1	006000	Ring	2	
2	CM002503	Pipe	1	
3	577557	Hose clamp	1	
4	189320	Cock	1	
5	196868	Gasket	1	

<b>Group</b>	Chassis
<b>Code</b>	T45
<b>Description</b>	Oil tank
<b>Service</b>	1



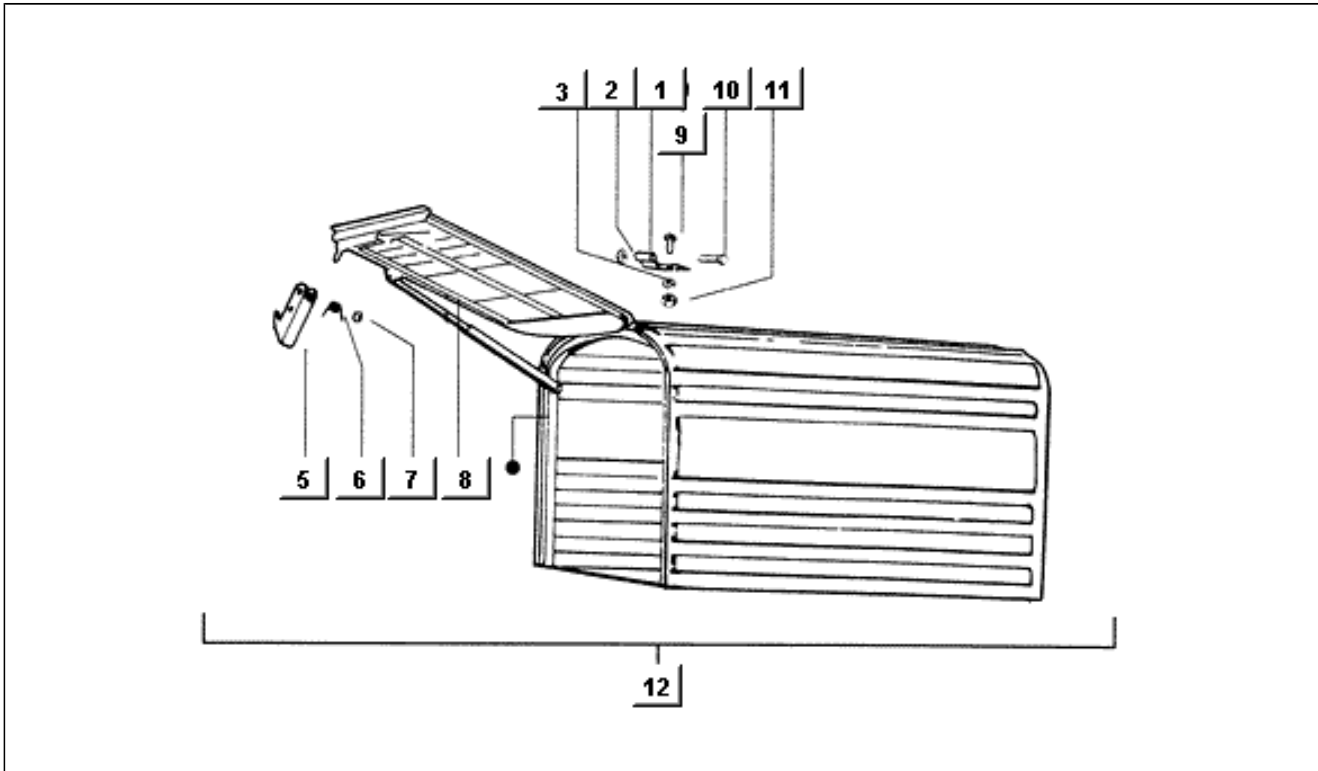
Pos.	Code	Description	Qty	Variants
1	573080	Float	1	
2	566960	Oil tank	1	
3	574362	Complete coupling	1	
4	196868	Gasket	1	
5	566962	Oil ins.pl.	1	
6	577557	Hose clamp	1	
7	575249	Vite metrica M6x22	2	
8	254485	Spring plate M6	3	

<b>Group</b>	Chassis
<b>Code</b>	T46
<b>Description</b>	Closed box body clamps on chassis
<b>Service</b>	1



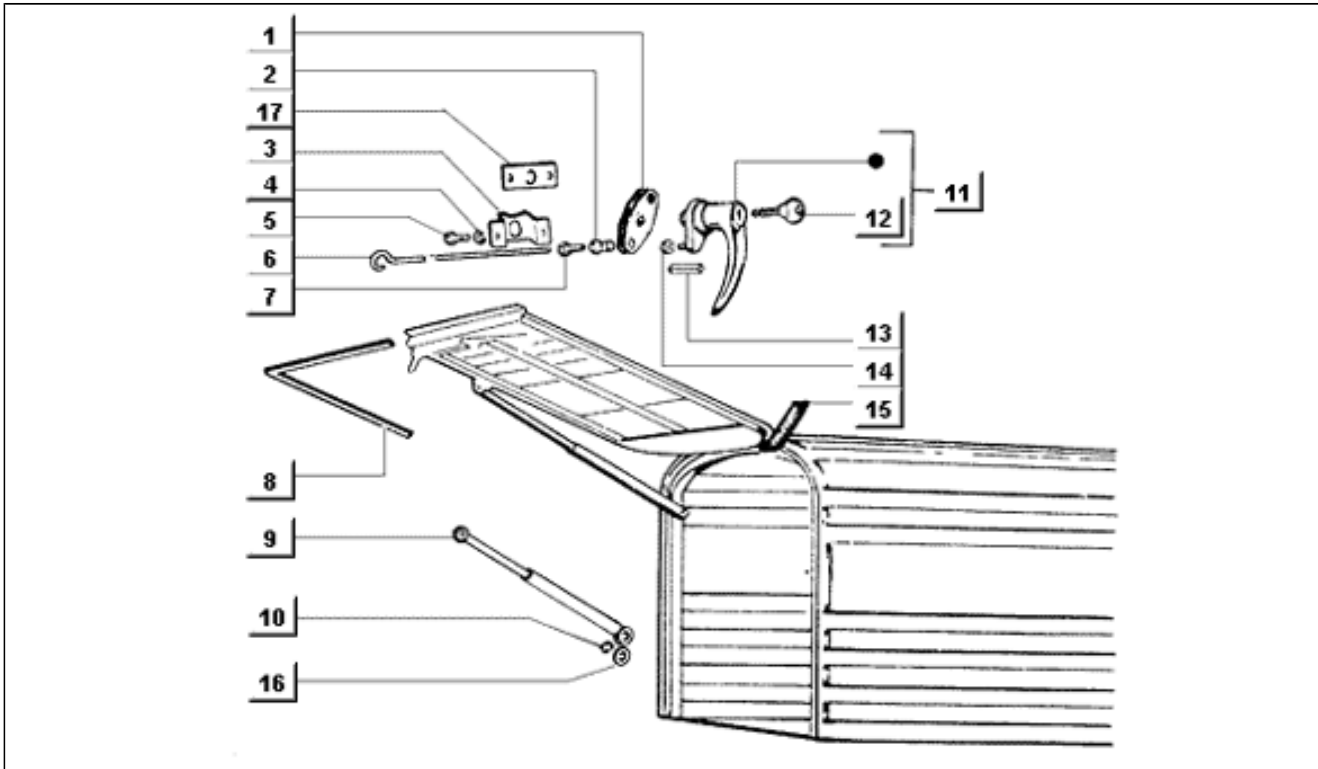
Pos.	Code	Description	Qty	Variants
1	191962	Nut	1	
2	016406	Spring washer 6,4x11,8x1	1	
3	113950	Washer	1	
4	031091	Hex screw M6x22	1	
5	031092	Screw M6x25	4	
6	116496	Gasket	8	
7	090937	Plug	2	
8	020106	Nut M6	2	
9	016406	Spring washer 6,4x11,8x1	2	
10	013950	Washer 6,2x18x2	2	
11	119763	Plate	2	
12	118648	Square	2	
13	020106	Nut M6	4	
14	016406	Spring washer 6,4x11,8x1	4	
15	118578	Plate	2	
16	118872	Clamp	1	
16	118873	Clamp	1	
16	271049	Clamp	1	
17	014417	Screw	4	

<b>Group</b>	Chassis
<b>Code</b>	T47
<b>Description</b>	Closed box body assy
<b>Service</b>	1



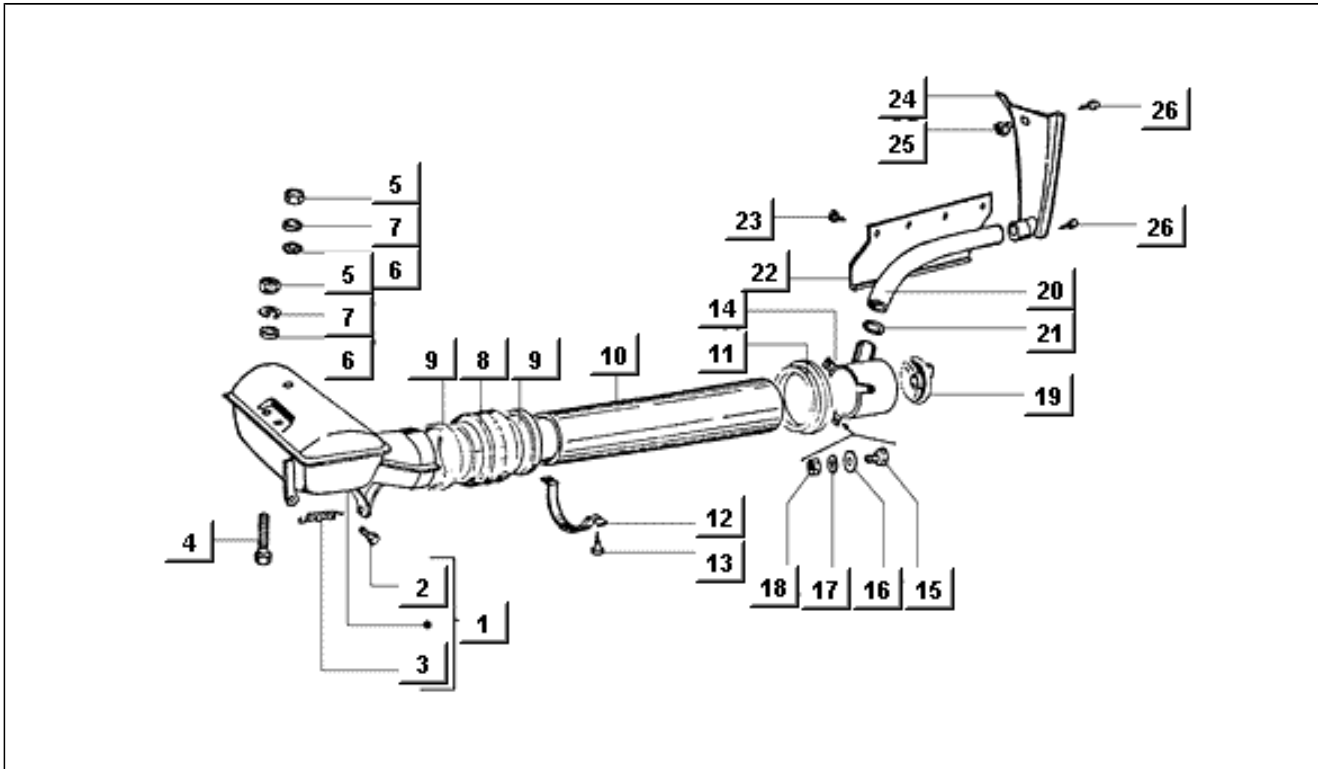
Pos.	Code	Description	Qty	Variants
1	1186425	Hinge	1	
2	013769	Washer	2	
3	016405	Spring washer	6	
5	118658	Hook	2	
6	118655	Spring	2	
7	005965	Ring	2	
8	2469814	Rear flap	1	
9	000702	Screw	6	
10	118651	Pin	2	
11	020105	Nut	6	
12	2469845	Van assembly	1	

<b>Group</b>	Chassis
<b>Code</b>	T48
<b>Description</b>	Rear door handgrip
<b>Service</b>	1



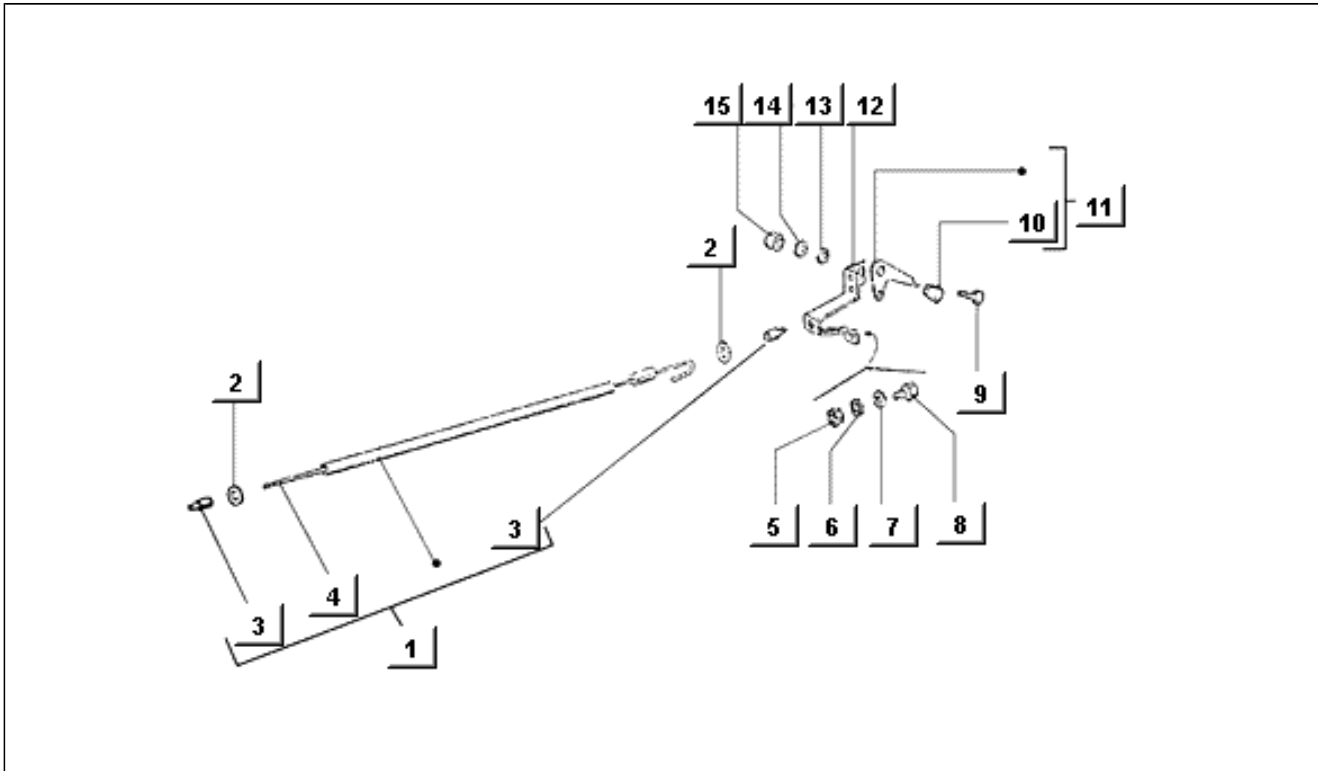
Pos.	Code	Description	Qty	Variants
1	141833	Plate	1	
2	115817	Terminal	2	
3	246616	Bracket	1	
4	016404	Washer	2	
5	031027	Screw	2	
6	118652	Tie rod	2	
7	031084	Screw	2	
8	CM035206	Adhesive gasket	1	
9	1981012	Spring	1	
10	005965	Ring	2	
11	257094	Battery handle	1	
12	257710	Key blank	1	
13	217166	Pin	1	
14	012136	Nut	1	
15	CM035211	Adhesive gasket	1	
16	003058	Washer	5	
17	246387	Plate	1	

<b>Group</b>	Chassis
<b>Code</b>	T65
<b>Description</b>	Warm air conveyor unit
<b>Service</b>	1



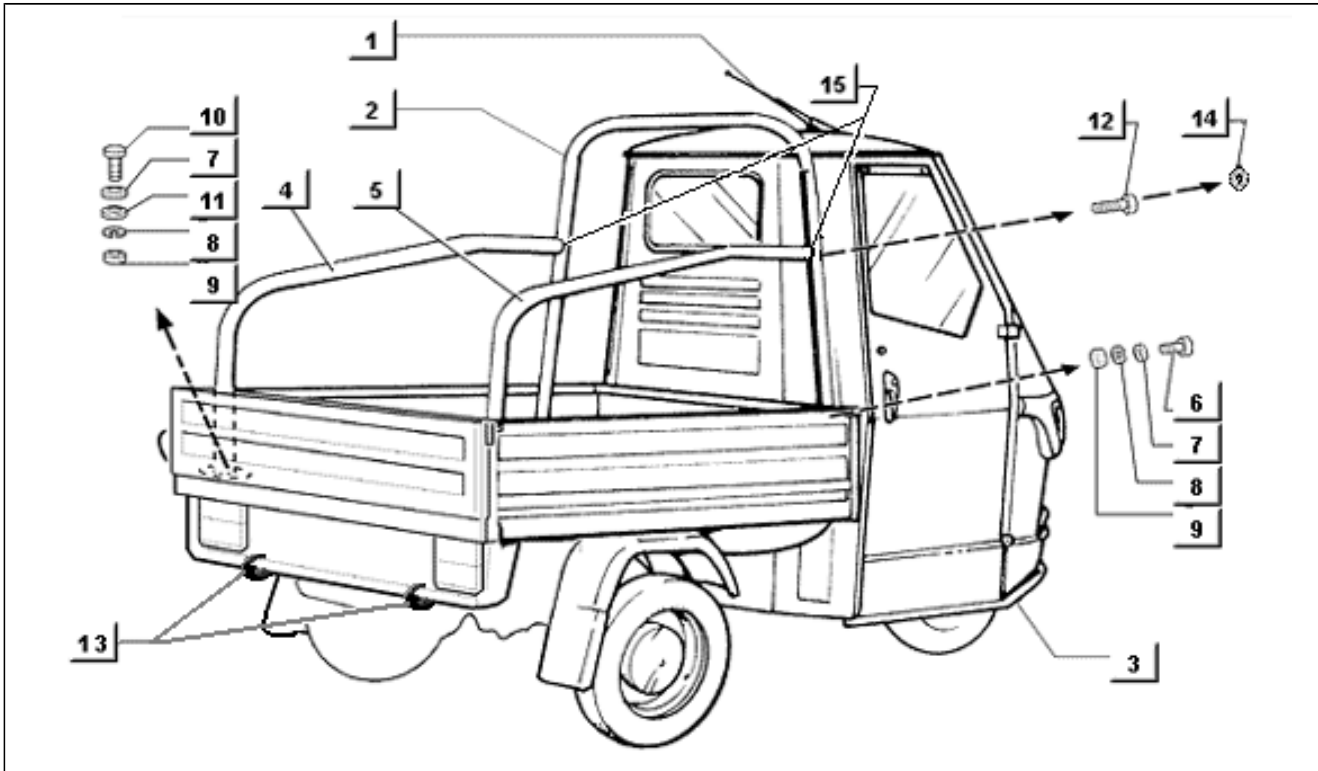
Pos.	Code	Description	Qty	Variants
1	2504235	Conveyor box	1	
2	031023	Screw	1	
3	125042	Spring	1	
4	030084	Screw	2	
5	020108	Nut M8x6,5	3	
6	003058	Washer	3	
7	016408	Spring washer 13,75x8,15x4,5	3	
8	126921	Pipe	1	
9	109960	Hose clamp	2	
10	2183525	Air duct	1	
11	125091	Stop washer	1	
12	125096	Bracket	1	
13	008265	Screw	2	
14	2183605	Air duct	1	
15	031056	Screw	3	
16	003055	Plain washer 5,4x10x0,8	3	
17	016405	Spring washer	3	
18	020105	Nut	3	
19	214163	Air shutter	1	
20	2660145	Hose union	1	
21	218354	Gasket	1	
22	569273	Cover pipe	1	
23	121668	Screw	4	
24	218215	Diffuser	1	
25	199190	Slide piece	1	
26	008432	Screw d3,5x9,5	3	

<b>Group</b>	Chassis
<b>Code</b>	T66
<b>Description</b>	Heating control
<b>Service</b>	1



Pos.	Code	Description	Qty	Variants
1	125503	Transmission	1	
2	016516	Fairlead	2	
3	119278	Terminal	2	
4	119273	Wire	1	
5	020105	Nut	3	
6	016405	Spring washer	3	
7	003055	Plain washer 5,4x10x0,8	3	
8	031056	Screw	3	
9	031119	Screw	1	
10	117271	Knob	1	
11	125185	Lever	1	
12	1252836	Hinge	1	
13	016621	Gasket	1	
14	007608	Belleville spring	1	
15	002438	Nut	1	

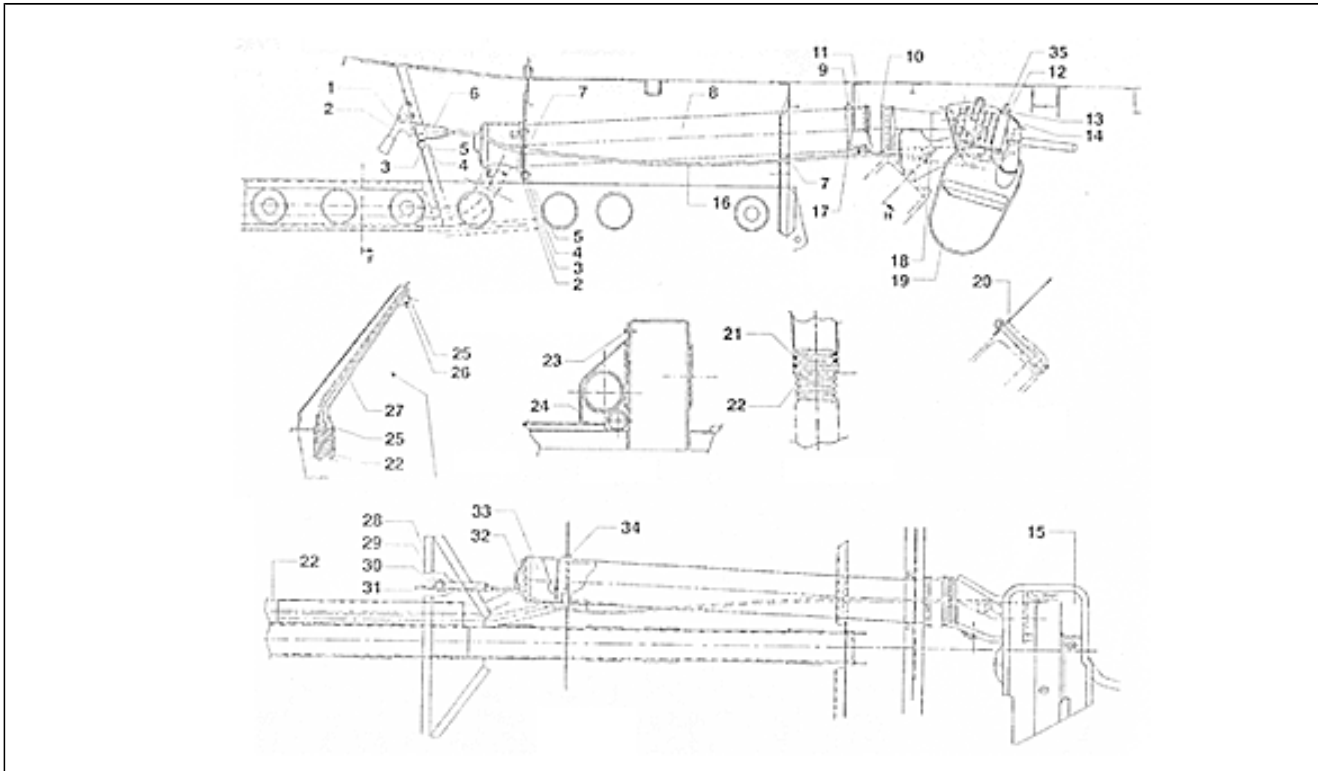
<b>Group</b>	Chassis
<b>Code</b>	T82
<b>Description</b>	Roll bar - protection5 (cross version)
<b>Service</b>	1



Pos.	Code	Description	Qty	Variants
1	263290	Antenna	1	
2	CM0304025	Roll bar	1	
3	567063	Protection	1	
4	CM0305015	Lh strut	1	
5	CM0305025	Rh strut	1	
6	031018	Screw	2	
7	003058	Washer	8	
8	016408	Spring washer 13,75x8,15x4,5	8	
9	020108	Nut M8x6,5	8	
10	031119	Screw	6	
11	263444	Washer	6	
12	295664	Screw	2	
13	255988	Drift	1	
14	9004871033000	Plug	2	
15	568792	Junction component	2	

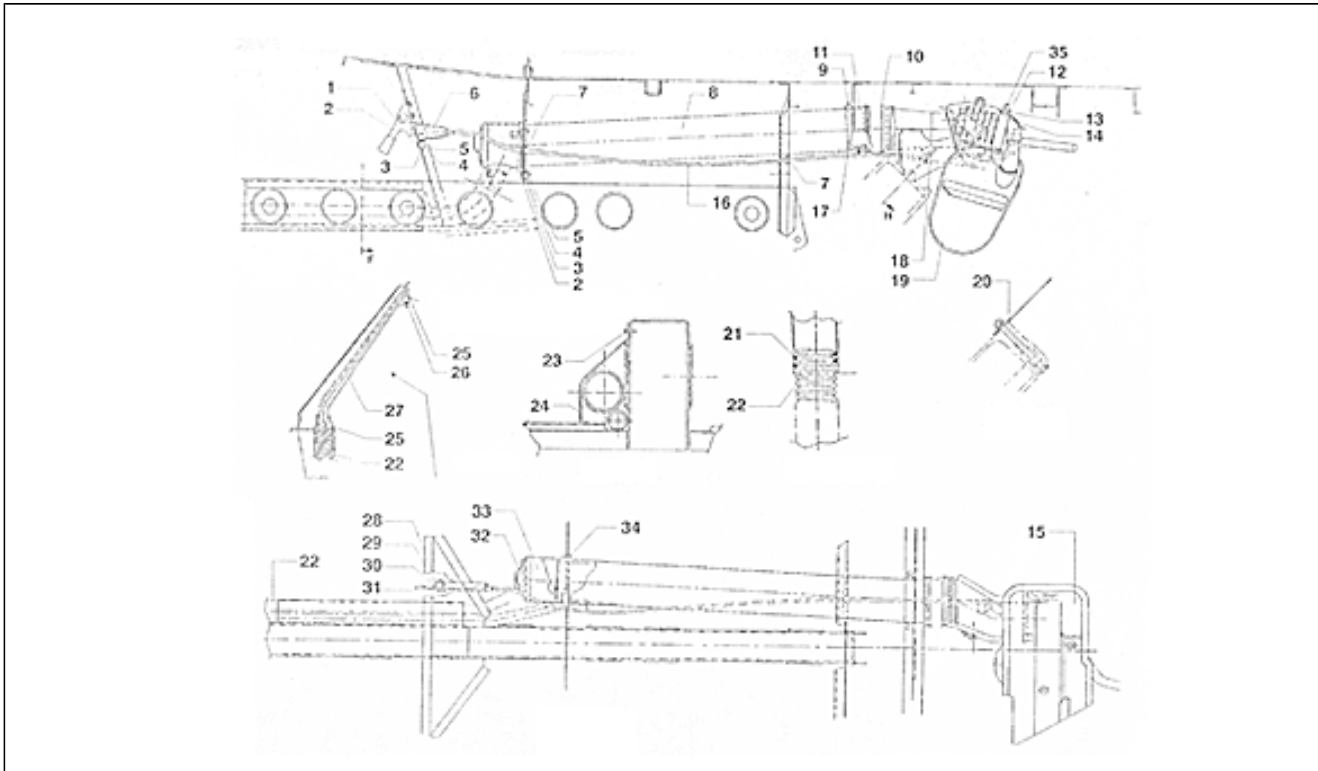


<b>Group</b>	Chassis
<b>Code</b>	T83
<b>Description</b>	Heating kit
<b>Service</b>	1



Pos.	Code	Description	Qty	Variants
0	493538	Heating kit	1	
1	125185	Lever	1	
2	031056	Screw	6	
3	003055	Plain washer 5,4x10x0,8	6	
4	016405	Spring washer	6	
5	020105	Nut	6	
6	1252836	Hinge	1	
8	2183525	Air duct	1	
9	008265	Screw	2	
10	126921	Pipe	1	
11	109960	Hose clamp	2	
12	020108	Nut M8x6,5	3	
13	016408	Spring washer 13,75x8,15x4,5	3	
14	003058	Washer	3	
15	2504235	Conveyor box	1	
16	125503	Transmission	1	
17	125096	Bracket	1	
18	119278	Terminal	1	
19	487445	Exhaust pipe	1	
20	013755	Washer	1	
21	218354	Gasket	1	
22	2660145	Hose union	1	
23	121668	Screw	4	
24	569273	Cover pipe	1	
25	008451	Screw	3	
26	199190	Slide piece	1	
27	218215	Diffusor	1	
28	002438	Nut	1	

<b>Group</b>	Chassis
<b>Code</b>	T83
<b>Description</b>	Heating kit
<b>Service</b>	1



Pos.	Code	Description	Qty	Variants
29	007608	Belleville spring	1	
30	016621	Gasket	1	
31	031119	Screw	1	
32	214163	Air shutter	1	
33	2183605	Air duct	1	
34	125091	Stop washer	1	
35	030084	Screw	2	