



## Matrix - 2008

# Spare Parts Catalog

Euro-2



**Matrix 30 - 2008**  
**Matrix 45 - 2008**

[www.keeway.dk](http://www.keeway.dk)

2009.1

**CARL ANDERSEN MOTORCYKLER A/S**  
Niels Bohrs Vej 15, Stilling  
Postboks 680  
DK-8660 Skanderborg

Telefon. 8694 6177  
Telefax. 8694 4447  
[www.ca-mc.dk](http://www.ca-mc.dk)  
e-mail: [ordre@ca-mc.dk](mailto:ordre@ca-mc.dk)

## **S.P. CATALOG FOR KEEWAY F-ACT 50, 2007-2008 VER. ENGINE MODEL: KW1E40QMB-4**

### **Introduktion**

Dette reservedels katalog indeholder de nødvendige informationer til identifikation og bestilling af reserve dele til 2009.

Oplys venligst både reservedels nr. og varebeskrivelse ved ordreafgivelse

Dele til **motor mm.** kan findes under E01 til E12 først i manualen

Dele til **stel mm.** kan findes under F01 til F25 sidst i manualen

Bemærk venligst at lakerede og farvede dele er fremhævet med tilsvarende skriftfarve.

Bemærk endvidere at, hvis et vare nummer indeholder mere end 1 stk. har det betegnelsen *assy.*

Reservedele direkte nr.: 87 541 021/ 87 541 022

e-mail: [ordre@ca-mc.dk](mailto:ordre@ca-mc.dk)

### **CARL ANDERSEN MOTORCYKLER A/S**

Niels Bohrs Vej 15, Stilling  
Postboks 680  
DK-8660 Skanderborg

Telefon. 8694 6177

Telefax. 8694 4447

[www.ca-mc.dk](http://www.ca-mc.dk)

### **Sådan findes reservedele online**

Gå ind på web siden [www.ca-mc.dk](http://www.ca-mc.dk)

1. Gå ind under *forhandler log ind* og indtast brugernavn og password, har du glemt det så ring til os på 86 946 177.
2. Vælg hvilket mærke du ønsker data på.
3. Vælg *reservedels kataloger.*
4. Vælg hvilket reservedels katalog der ønskes ud fra model og årgang.
5. De reservedels numre der ønskes ordres/forespørges på, sendes til os på mail eller fax.

**Alle priser i kataloget er vejledende udsalgspriser i danske kroner + moms og vi forbeholder os ret til ændringer, uden varsel.**

### **Stel nr. oversigt:**

De første 8 cifre i stel nr. indikerer årgangen

2006 Matrix første 8 cifre er: TSYTABMN.

2007 Matrix første 8 cifre er: TSYTABMQ.

2008 Matrix første 8 cifre er: LBBB943C.

## FARVEOVERSIGT FOR KEEWAY MATRIX 50 2006-2008.

**Her er en farveoversigt over Keeway Matrix fra 2006-2008**

**Ved bestilling af kåbedele er det vigtigt at den rigtige farvekode bestilles.**



**2006 model.**

**Denne farve har farvekode B4.**

**Farven er at betegne som mat sort**



**2006 model.**

**Denne farve har farvekode BA.**

**Farven er at betegne som mat sort metallic**



**2006 model.**

**Denne farve har farvekode E6.**

**Farven er at betegne som blå**



**2007-2008 model.**

**Denne farve har farvekode HN.**

**Farven er at betegne som grå metallic**



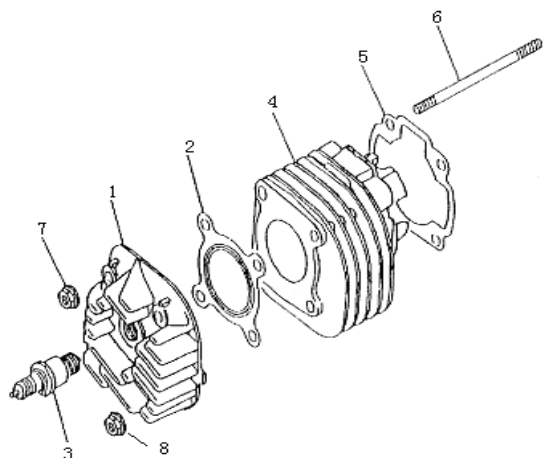
**På alle modeller vil der forekomme kåbedele i denne farve.**

**Denne farve har farvekode BH.**

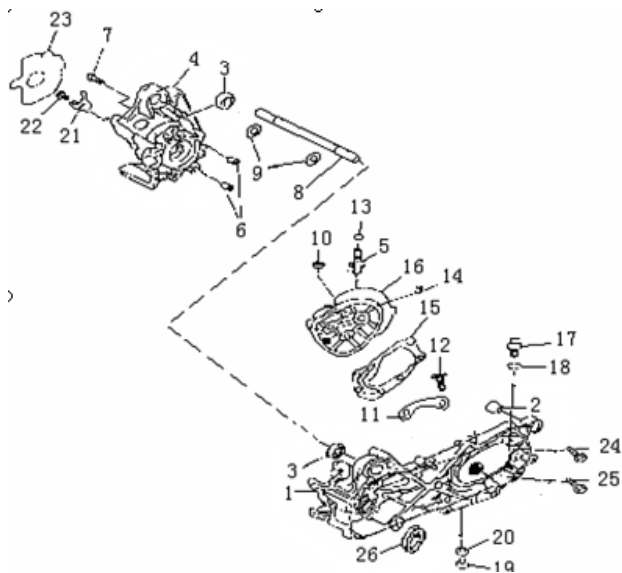
**Farven er at betegne som blank sort.**

# Indhold - Motor

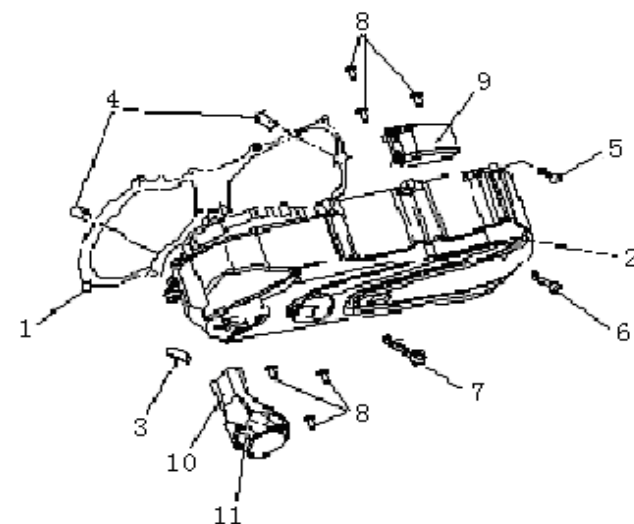
## E01 ENGINE



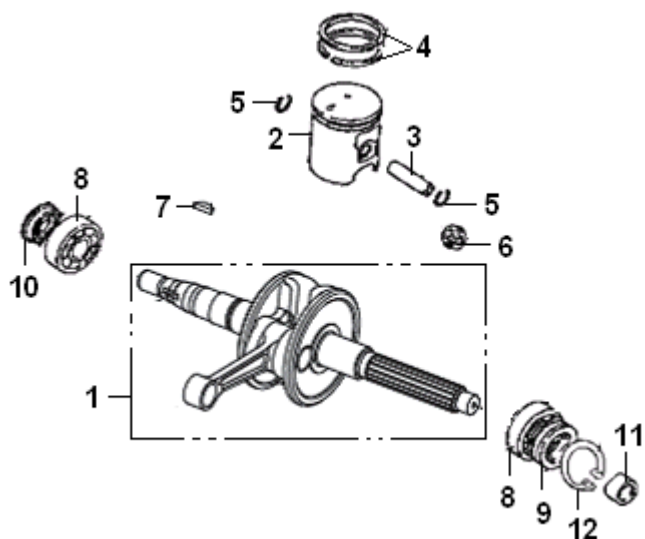
## E02 CRANKCASE ASSY



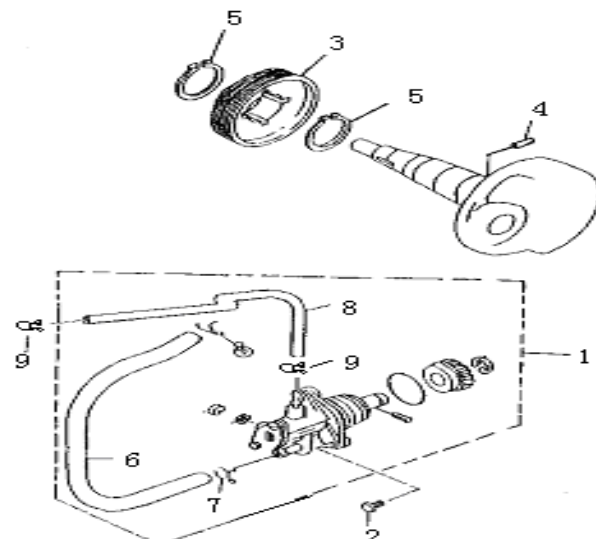
## E03 SIDECOVER ASSY



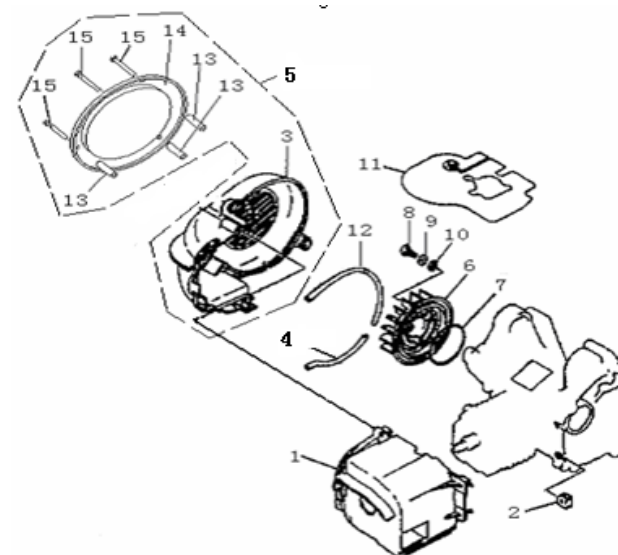
## E04 PISTON CRANKSHAFT CONNECTION ROD ASSY



## E05 OILPUMP ASSY

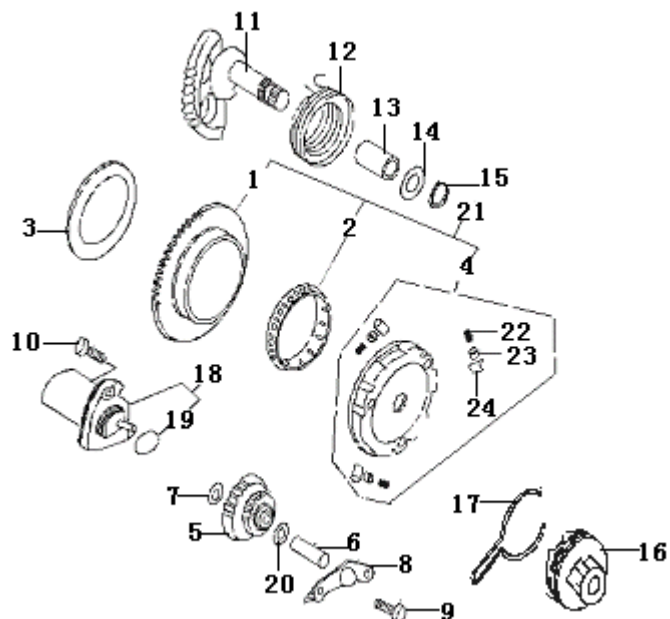


## E06 AIR COOLING SYSTEM

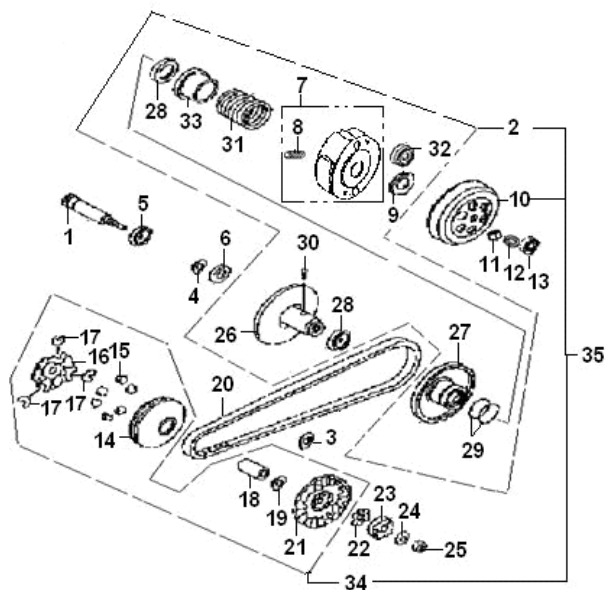


# Indhold – Motor

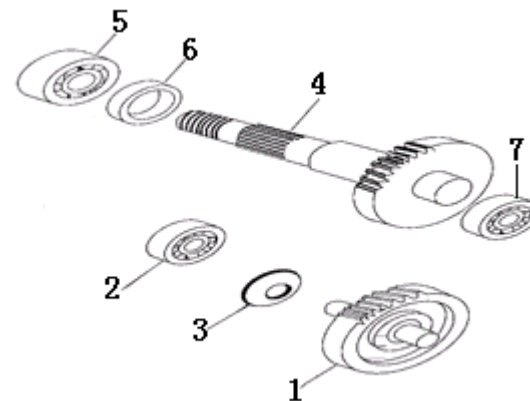
## E07 KICK STARTER ASSY



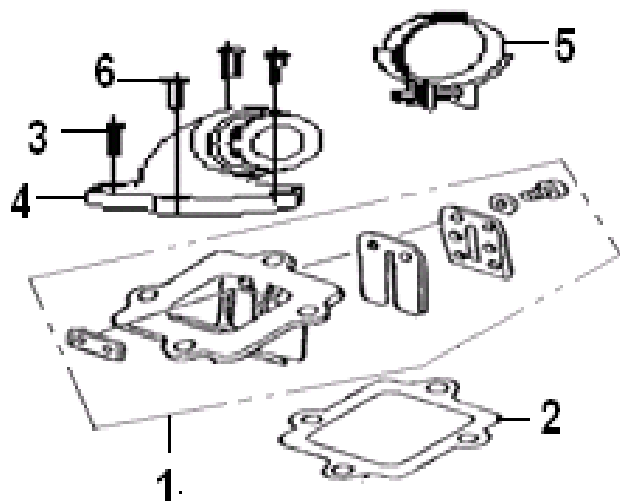
## E08.1 & E08.2 CLUTCH ASSY



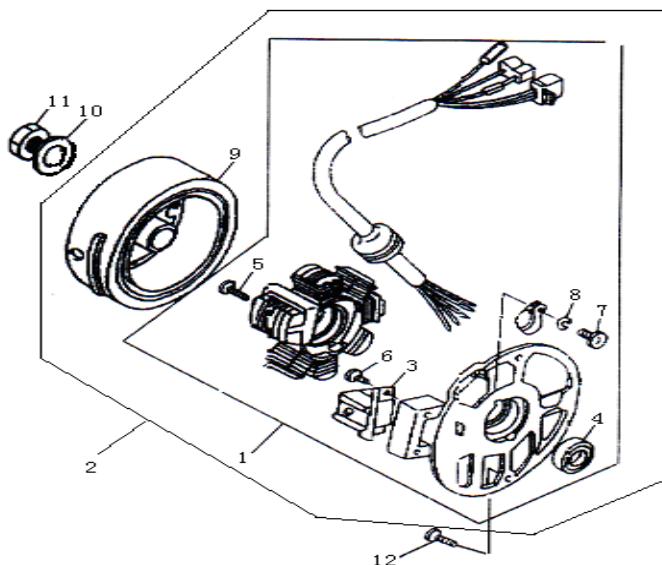
## E09 TRANSMISSION SYSTEM ASSY



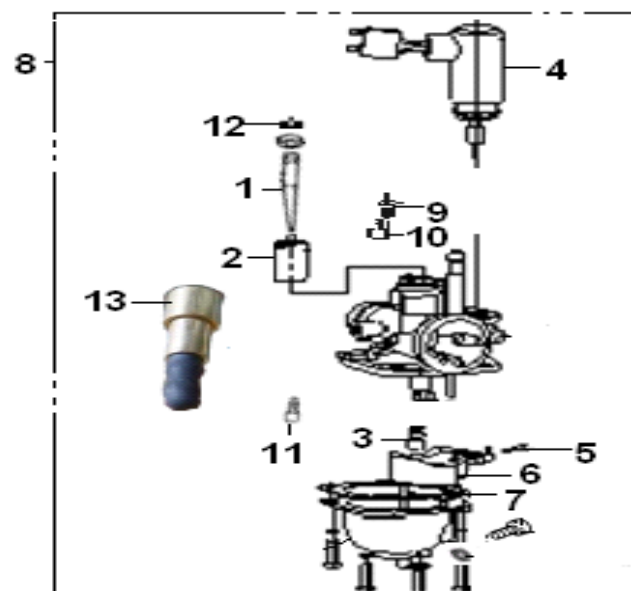
## E10 REED VALVE ASSY



## E11 MAGNETO ASSY

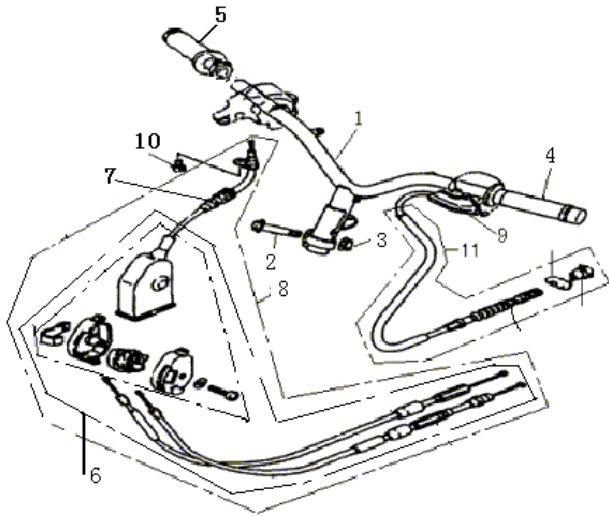


## E12 CARBURATOR ASSY

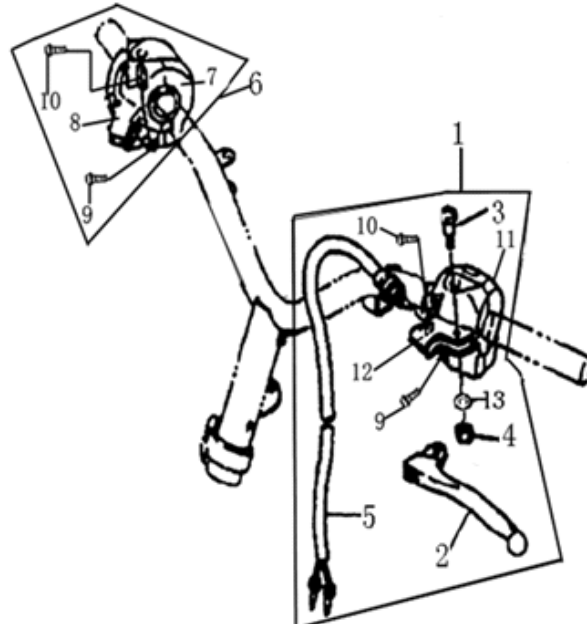


# Indhold - Stel

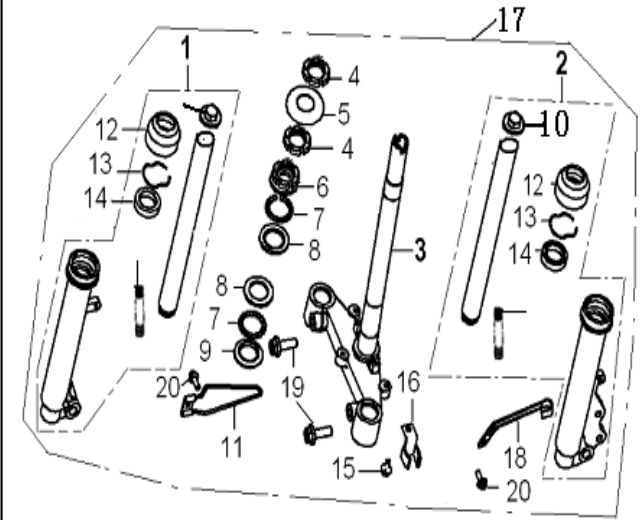
**F01 Steering**



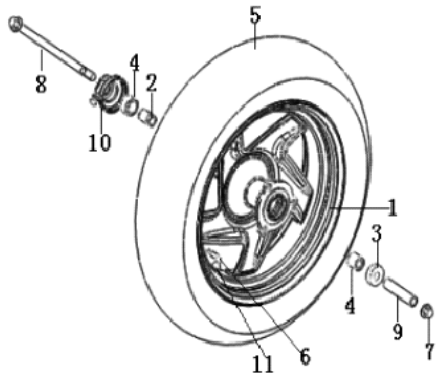
**F02 Lever/Handle switch**



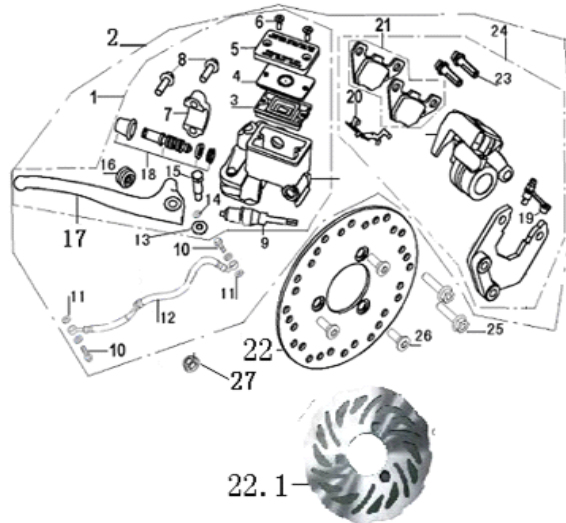
**F03 Front fork**



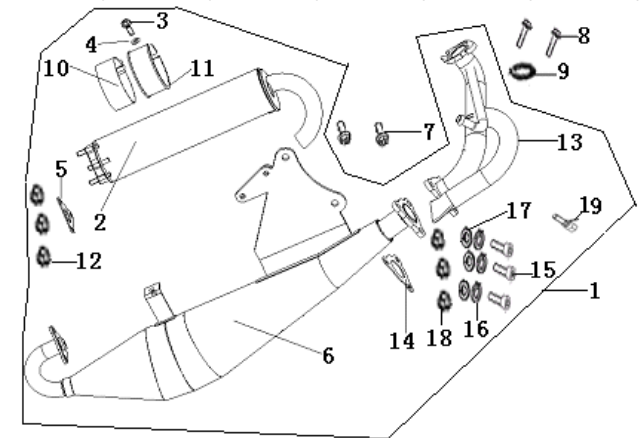
**F04 Front wheel**



**F05 Front disc brake**

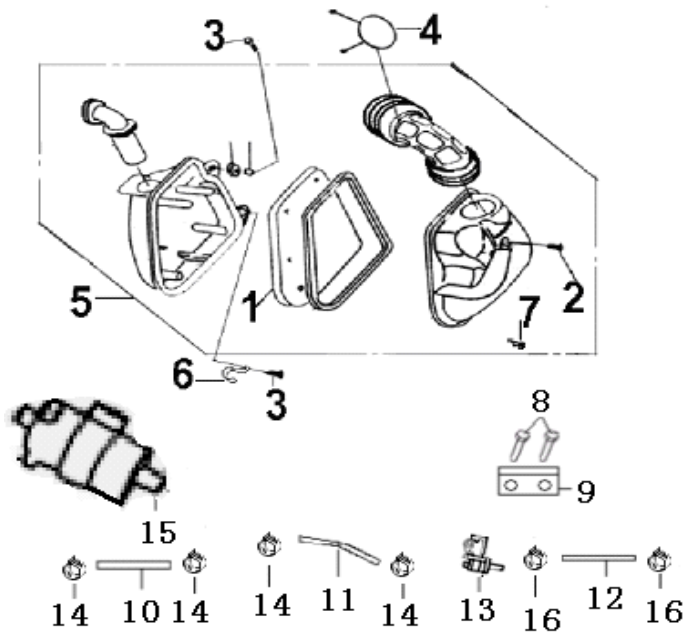


**F06 Sporty muffler 30/ 45 km/t**

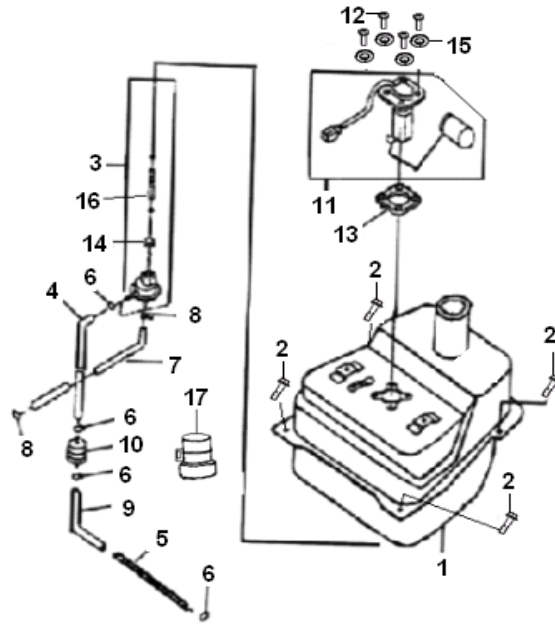


# Indhold - Stel

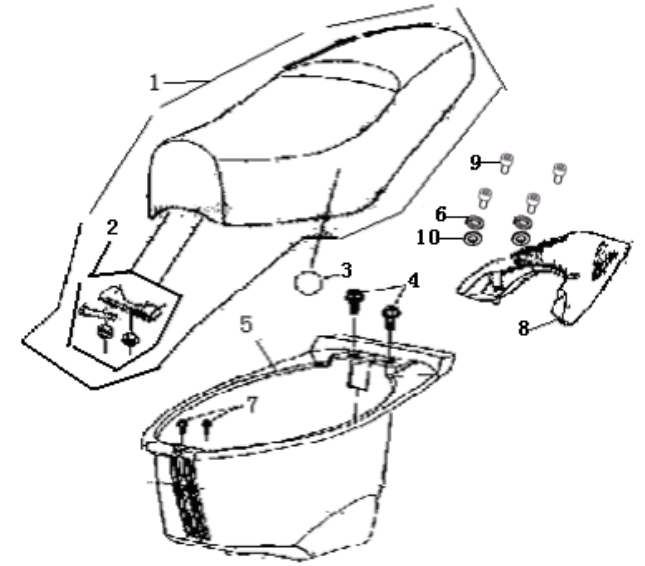
## F07 Air cleaner



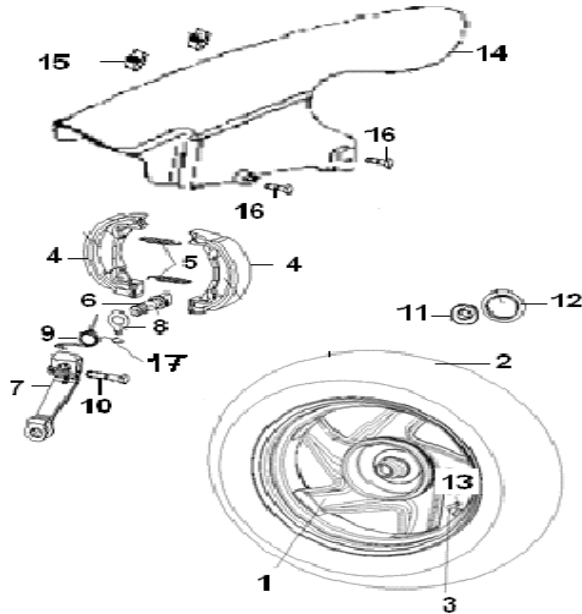
## F08 Fuel tank



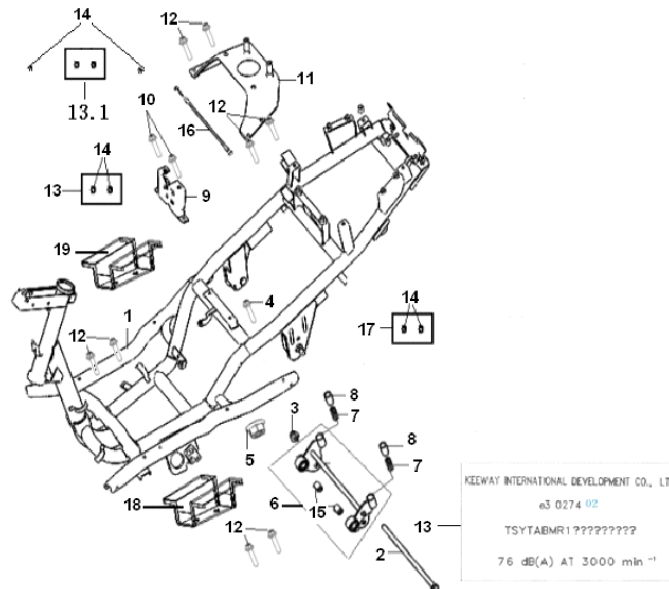
## F09 Seat



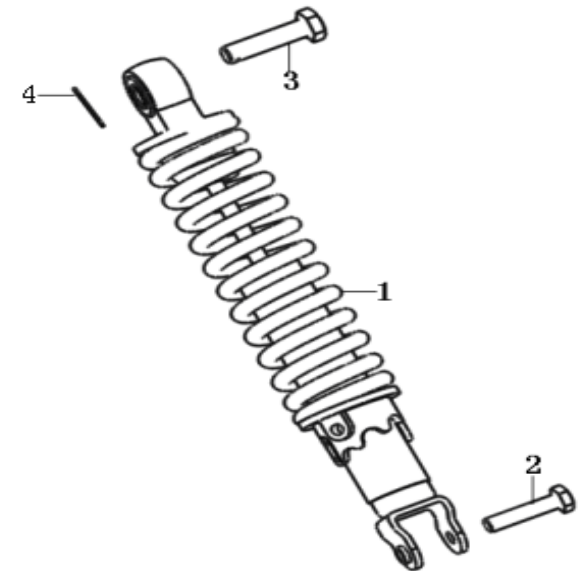
## F10 Rear wheel



## F11 Frame body

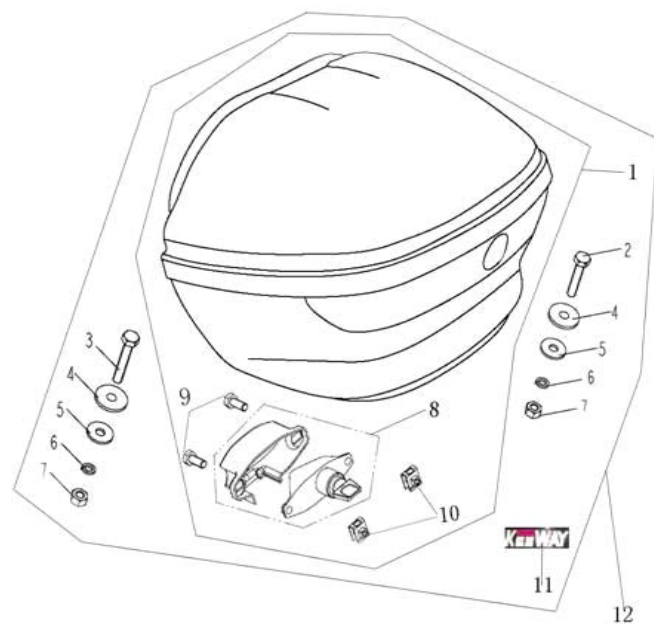


## F12 Rear absorber

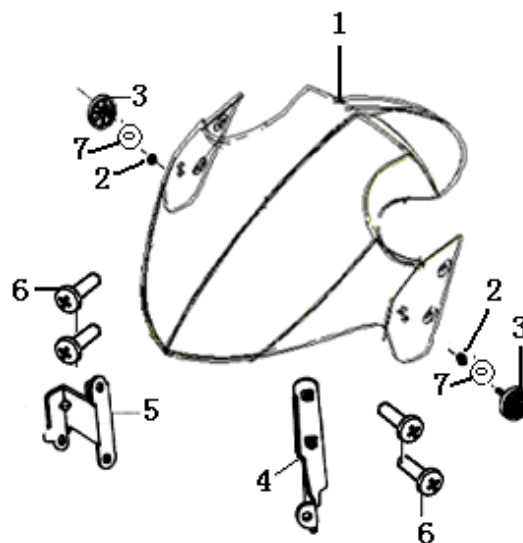


# Indhold - Stel

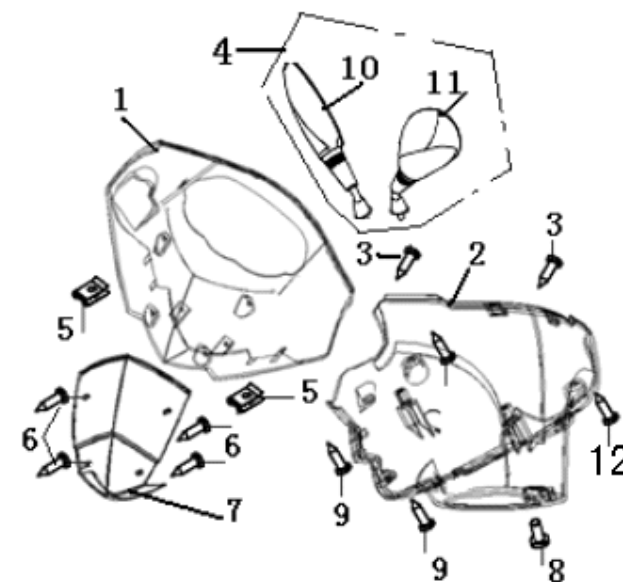
**F13 Back box assy**



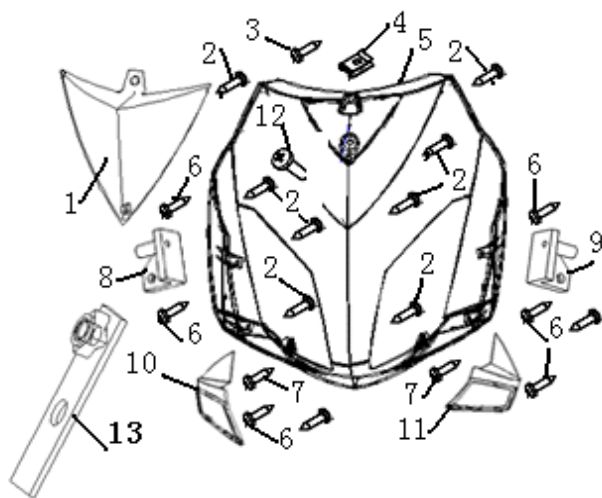
**F14 Front fender**



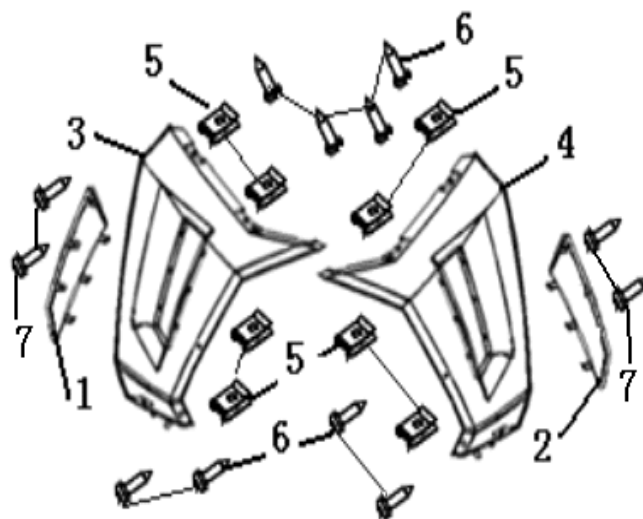
**F15 Handle cover**



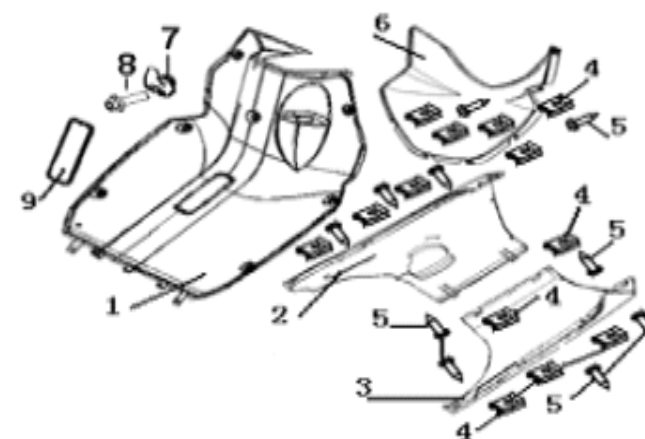
**F16.1 & 16.2 Front cover**



**F17.1 & 17.2 front cover decoration assy**



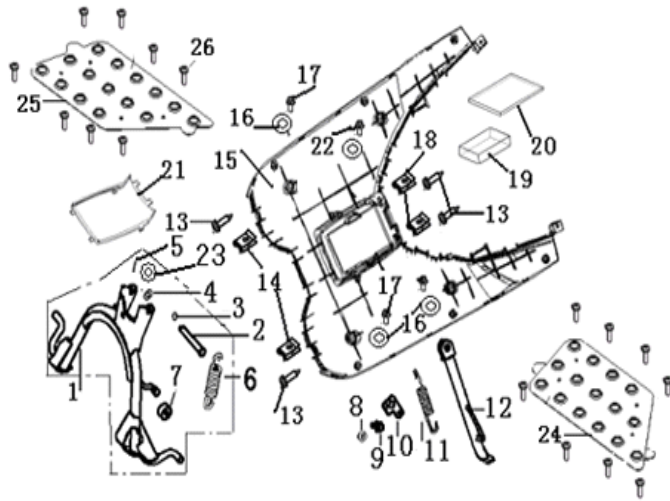
**F18 Leg shield**



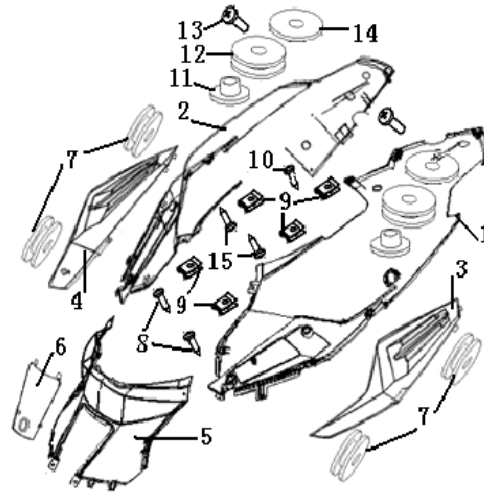


# Indhold - Stel

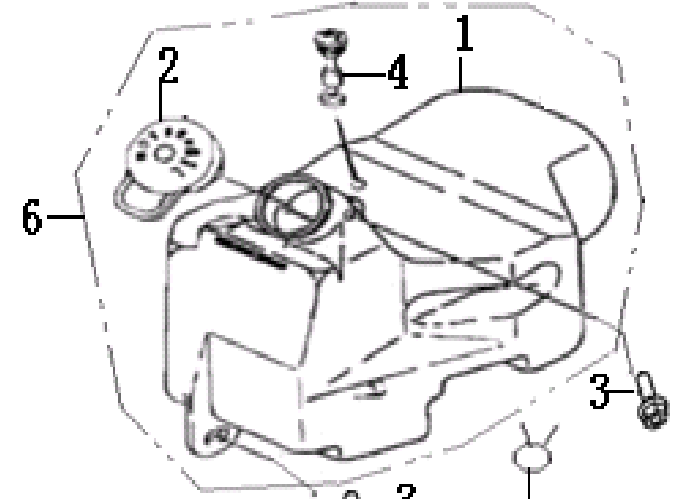
**F19 Footrest stand**



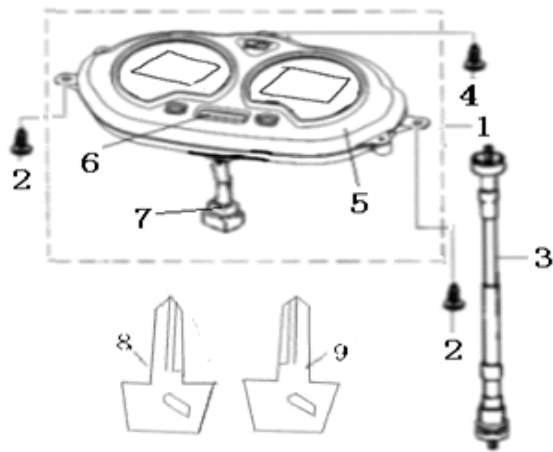
**F20.1 & 20.2 Side cover**



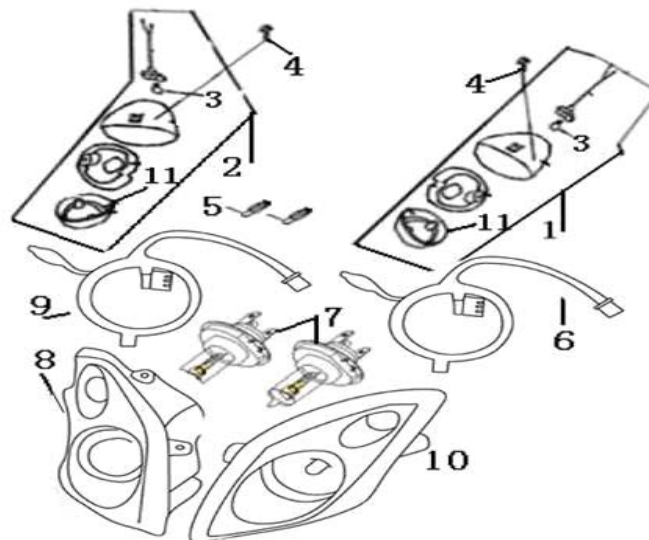
**F21 Oil tank**



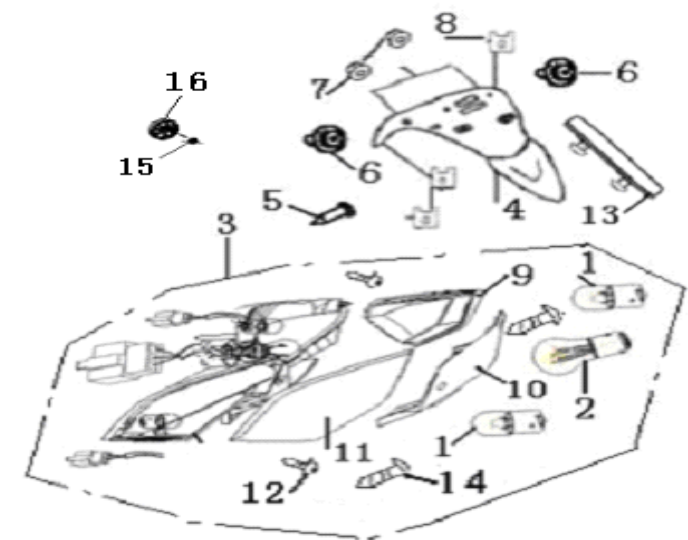
**F22 Digital speedometer**



**F23 Flasher & head light**

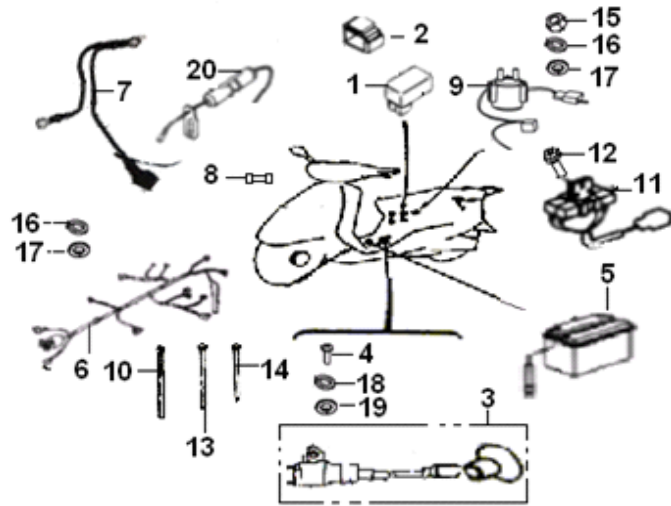


**F24 Tail light**

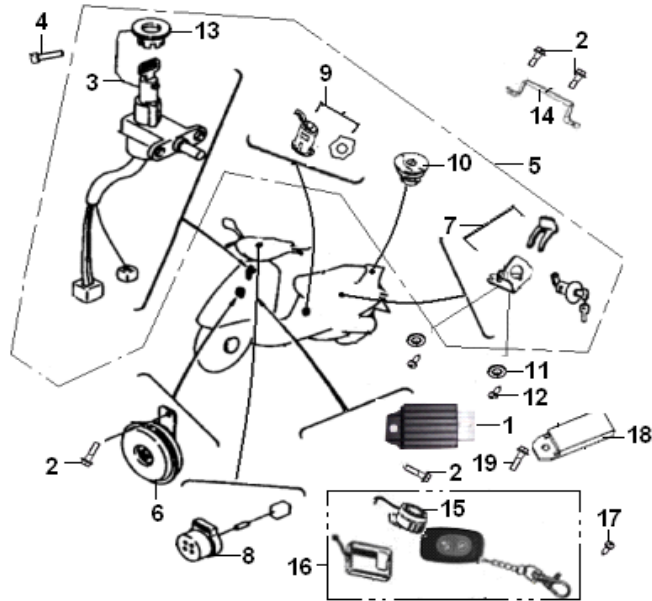


# Indhold – Stel

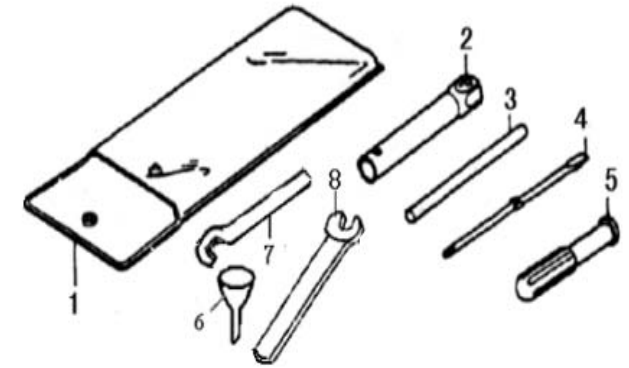
**F25 Electrical equipment 1**



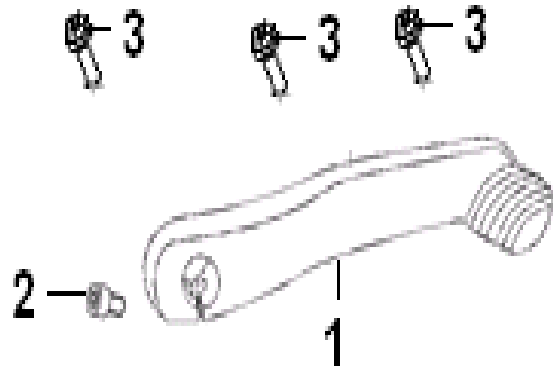
**F26 Electrical equipment 2**



**F27 Tool kit**



**F28. Engine attachment**



**F29.1 Sticker**



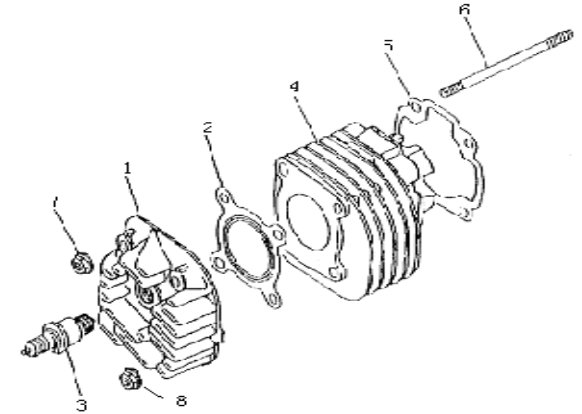
**F29.2 Sticker**



## E01 CYLINDER HEAD ASSY



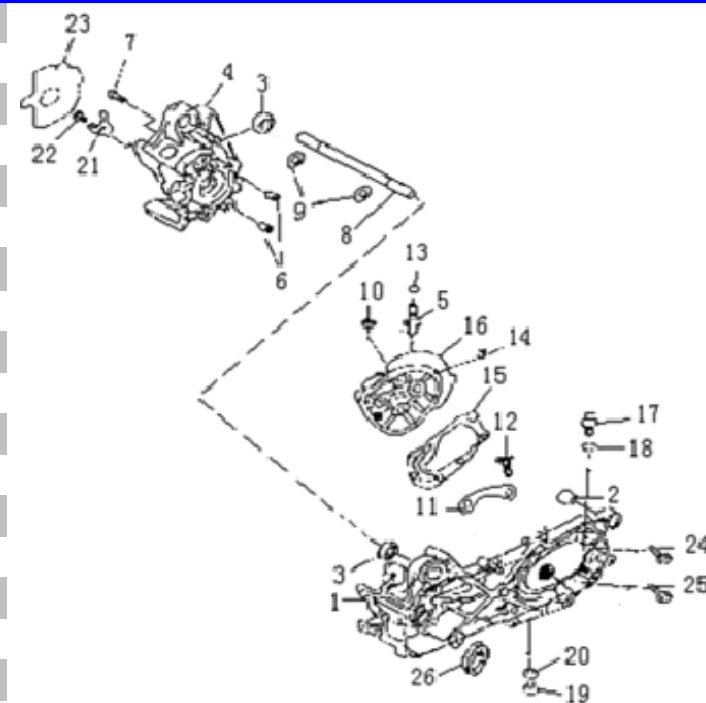
NO	PART NO	DESCRIPTION	QTY	PRICE
1	201200.066000	HEAD, CYLINDER	1	kr 233,88
2	30507B01F000	GASKET, CYLINDER HEAD	1	kr 4,27
3	T1203BR7ES	SPARK PLUG	1	kr 128,59
4	204200.041000	CYLINDER	1	kr 368,69
5	204204.001000	GASKET, CYLINDER	1	kr 3,89
6	26107B01F910	STUD BOLT	4	kr 41,18
7	304290700063	NUT M7, FOR 30KM/H VEHICLES,	3	kr 14,37
8	201334.001000	NUT, ONLY FOR 30KM/H VEHICLES	1	kr 14,37



## E02 CRANKCASE ASSY



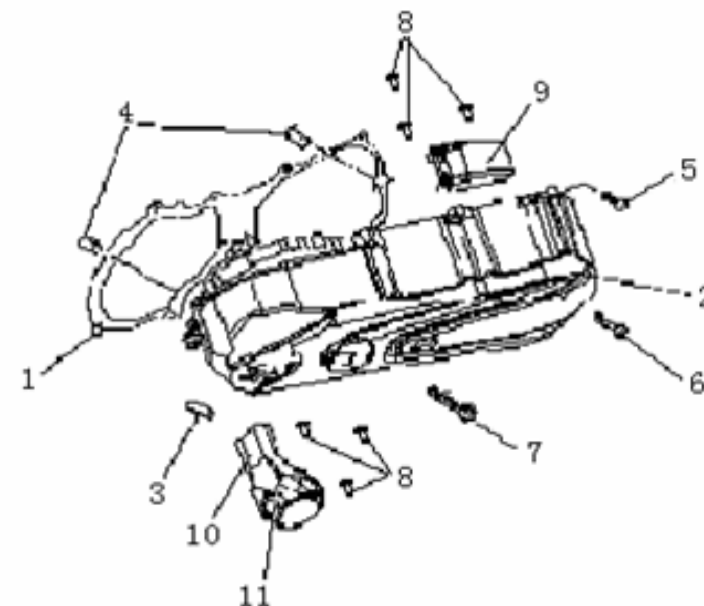
NO	PART NO	DESCRIPTION	QTY	PRICE
1	206200.057000	CRANKCASE LEFT	1	kr 1.409,87
2	26108G02F000	BUSH, ENGINE MOUNTING	1	kr 11,27
3	B12016600300	BEARING 6003-2RS	2	kr 45,84
4	26211B09F001	CRANKCASE RIGHT	1	kr 434,34
5	26142G02F000	BRAKE SHOE	1	kr 11,27
6	26123G02F000	DOWEL PIN	2	kr 4,27
7	301310603565	PAN HEAD SCREW	6	kr 1,17
8	26109B09F000	AXLE	1	kr 40,40
9	B08010001700	CLIPS	2	kr 1,94
10	B04070812553	NUT	1	kr 3,89
11	26214B09F000	BEARING HOLDER	1	kr 6,22
12	B02000601262	PAN HEAD SCREW	2	kr 0,78
13	14222J01F000	O-RING	1	kr 1,17
14	26123G02F000	DOWEL PIN	2	kr 4,27
15	214201.004000	MISSION CASE GASKET	1	kr 20,98
16	18101B09F000	COVER, GEAR BOX	1	kr 236,21
17	206407.004081	OIL PLUG	1	kr 1,17
18	26102G02F000	O RING	1	kr 1,17
19	301310801605	FLANGE BOLT	1	kr 1,17
20	18105H03F000	PLATE WASHER	1	kr 0,78
21	26214G02F910	OIL SEAL HOLDER	1	kr 11,27
22	301310601263	PAN HEAD SCREW M6X12	1	kr 0,78
23	206321.001000	GASKET	1	kr 3,89
24	301310805565	SCREW M8X55	2	kr 4,27
25	301310805065	SCREW M8X50	5	kr 4,27
26	207234.001000	BUSH	1	kr 42,74



## E03 SIDE COVER



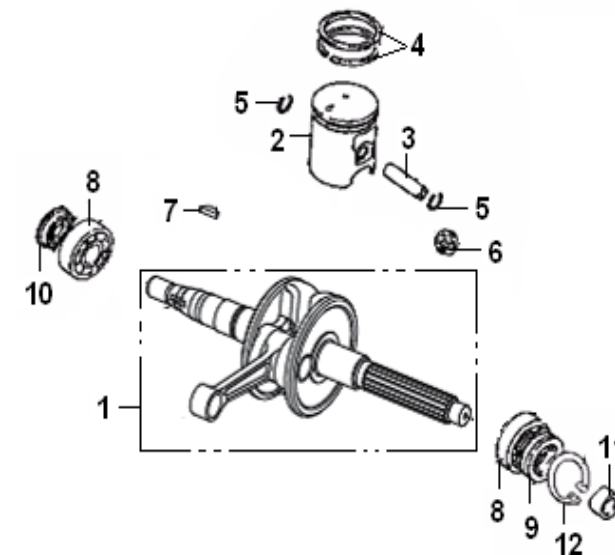
NO	PART NO	DESCRIPTION	QTY	PRICE
1	207208.017000	GASKET LEFT CRANKCASE	1	kr 48,95
2	207200.120082	CRANKCASE COVER ( <b>SILVER</b> , WITH "KEEWAY" MARK) 2007 SEASON	1	kr 374,90
2	169021070013	CRANKCASE COVER ( <b>GRAY</b> , WITH "KEEWAY" MARK) 2008 SEASON	1	kr 374,90
3	26128G02F000	IDLE GEAR	1	kr 374,90
4	26208J01F000	DOWEL PIN	2	kr 6,22
5	301310602565	PAN HEAD SCREW M6X25	8	kr 7,38
6	301310603565	PAN HEAD SCREW M6X35	1	kr 1,17
7	301310606565	PAN HEAD SCREW M6X65	1	kr 1,17
8	3052035014F5	SCREW ST3.5X14	6	kr 0,78
9	14149B09F000	AIR DUCT-OUTLET	1	kr 5,44
10	14148B09F000	AIR DUCT-INLET	1	kr 5,44
11	14150B09F000	FILTER ASSY	1	kr 1,94



## E04 PISTON CRANKSHAFT CONNECTING ROD ASSY



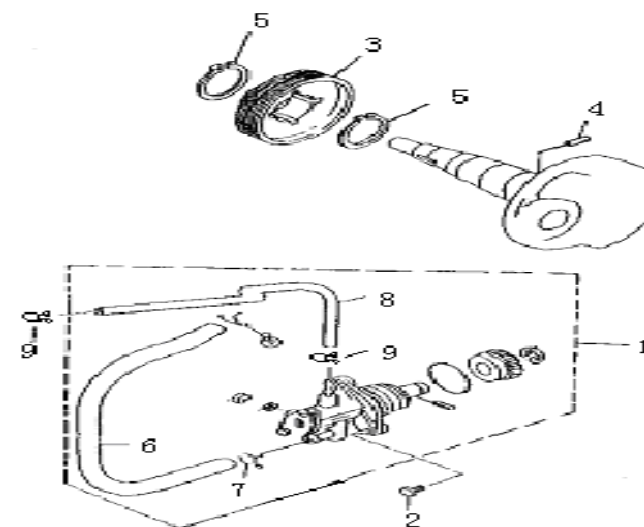
NO	PART NO	DESCRIPTION	QTY	PRICE
1	208100.022000	CRANKSHAFT, ASSY	1	kr 546,53
2	15100B09F000	PISTON ASSY, WITH RINGS	1	kr 81,90
3	15105B16F000	PISTON PIN	2	kr 24,86
4	15103B09F000	PISTON RING ASSY	2	kr 88,20
5	15111G02F000	CLIPS	2	kr 1,94
6	15110B16F000	NEEDLE BEARING	1	kr 155,40
7	15101B01F000	WOODRUFF KEY	1	kr 3,89
8	B12016620453	BEARING	2	kr 99,46
9	15213G02F000	OIL SEAL	1	kr 9,32
10	26215G02F000	OIL SEAL	1	kr 10,49
11	15214G02F000	COLLAR	1	kr 5,05
12	17308G02F000	CLIPS	1	kr 3,89



## E05 OIL PUMP ASSY



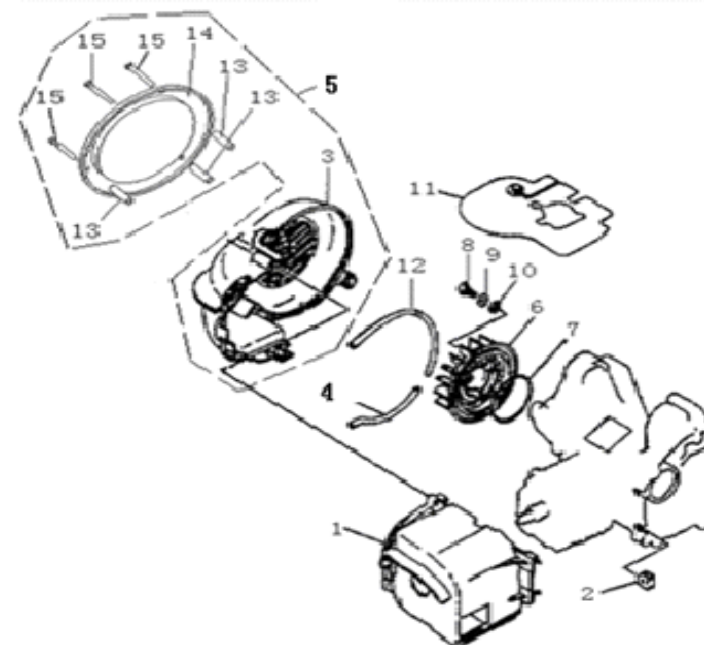
NO	PART NO	DESCRIPTION	QTY	PRICE
1	219101.008000	OIL PUMP ASSY	1	kr 312,74
2	B02000501463	SCREW	2	kr 0,78
3	15211G02F000	PUMP DRIVE GEAR	1	kr 20,98
4	B090103014C0	PIN	1	kr 0,78
5	15106G02F910	CLIPS	2	kr 1,94
6	221405.100000	HOSE, OIL INLET	1	kr 34,97
7	19213G02F00A	HOSE CLIP	2	kr 1,94
8	221405.101000	HOSE, OIL OUTLET	1	kr 10,49
9	19217G02F00A	HOSE CLIP	2	kr 6,99



## E06 AIR COOLING SYSTEM



NO	PART NO	DESCRIPTION	QTY	PRICE
1	20301B01F000	COWLING, CYLINDER	1	kr 41,18
2	20303G02F000	GROMMET	2	kr 4,27
3	20201B09F000	COWLING, FAN	1	kr 25,64
4	20208G02F000	RUBBER GASKET CLUTCH	1	kr 6,22
5	222103.014000	COOLING ASSY, FAN	1	kr 35,35
6	20401B01F000	FAN ASSY	1	kr 24,09
7	20402G02F000	RUBBER RING	1	kr 3,89
8	B02000601663	SCREW	3	kr 1,94
9	B07000000600	SPRING WASHER	3	kr 0,78
10	B07030000600	WASHER	3	kr 0,78
11	20102G02F000	PLATE	1	kr 19,43
12	20206G02F000	RUBBER GASKET CLUTCH	1	kr 5,05
13	20208B09F000	COLOUR	3	kr 0,78
14	222304.101000	DUSTPROOF COVER	1	kr 7,38
15	B02000403524	SCREW M4X35	3	kr 1,17

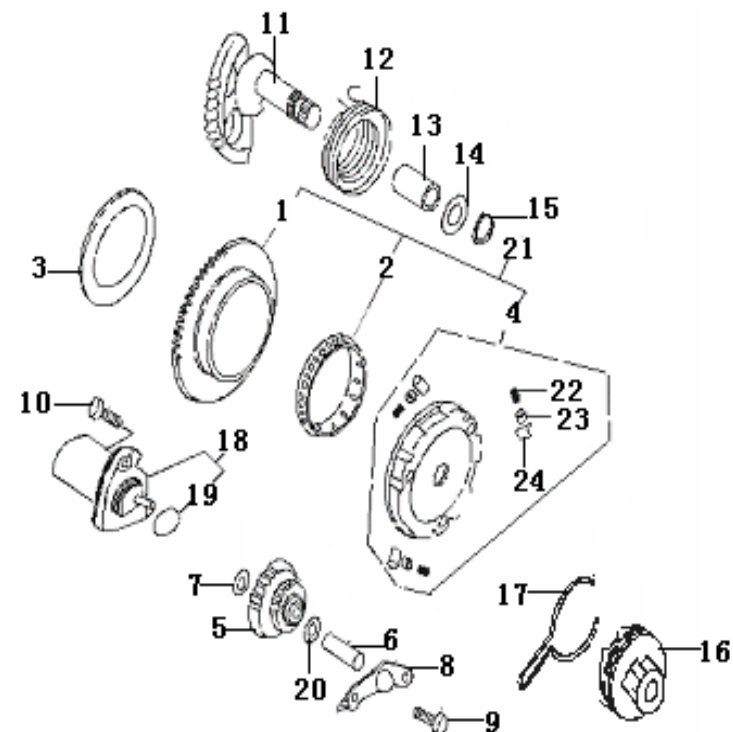




## E07 KICK STARTER ASSY



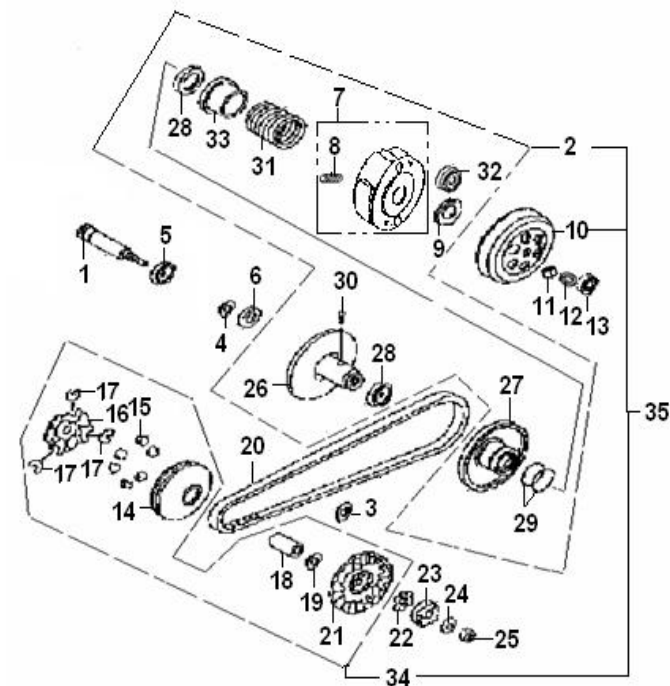
NO	PART NO	DESCRIPTION	QTY	PRICE
1	34120G02F000	START GEAR ASSY	1	kr 220,67
2	34121G02F000	NEEDLE BEARING	1	kr 60,22
3	34123G02F000	THRUST WASHER	1	kr 55,94
4	34110G02F00A	START HOLDER ASSY	1	kr 239,32
5	34126G02F000	DRIVEN GEAR, STARTER	1	kr 104,90
6	26128G02F000	IDLE GEAR SHAFT	1	kr 3,89
7	34122G02F000	PLATE WASHER	1	kr 0,78
8	34125G02F000	IDLE GEAR HOLDER	1	kr 7,38
9	B02000601063	SCREW M6X10	2	kr 1,17
10	302040602065	SCREW M6X20	2	kr 1,17
11	216100.003000	SHAFT, KICK STARTER	1	kr 140,64
12	17407G02F000	SPRING	1	kr 16,32
13	216217.004000	BUSH	1	kr 10,49
14	307991005552	WASHER ,KICK STARTER	1	kr 0,78
15	308090150003	CLIPS	1	kr 0,78
16	17415G02F000	KICK PINION ASSY	1	kr 62,94
17	17418G02F930	CLIP	1	kr 3,89
18	218100.017472	STARTING MOTOR ASSY	1	kr 298,37
19	B190102120B0	O-RING	1	kr 0,78
20	34130G02F000	PLATE WASHER	1	kr 0,78
21	217100.100000	START CLUTCH ASSY	1	kr 520,98
22	34404G02F00A	SPRING	3	kr 5,05
23	34405G02F00A	CAP	3	kr 6,22
24	34402G02F00A	ROLLER	3	kr 22,92



## E08.1 CLUTCH ASSY



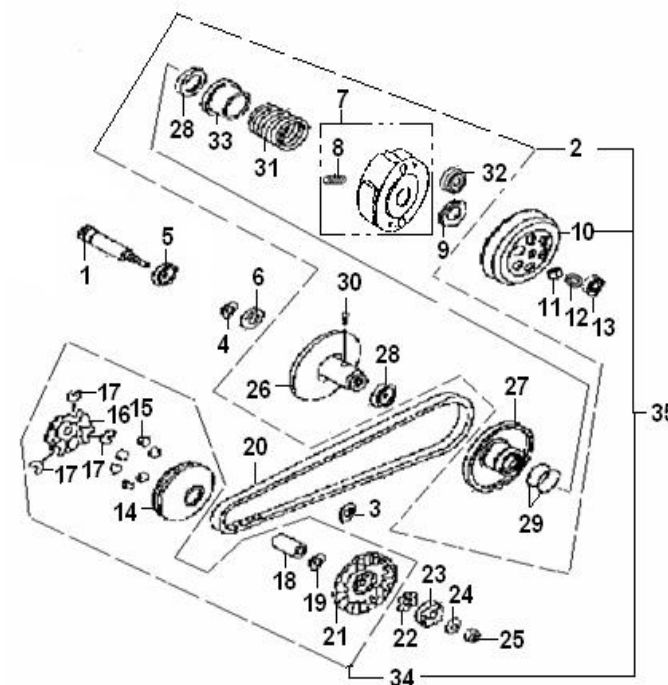
NO	PART NO	DESCRIPTION	QTY	PRICE
1	24201B09F000	PRIMARY DRIVE SHAFT	1	kr 182,60
2	24200B01F000	DRIVEN PULLEY,CLUTCH ASSY	1	kr 477,86
3	213207.023000	WASHER (3.5MM)45KM/H	1	kr 0,78
3	24106B09F00H	WASHER (4MM)30KM/H	1	kr 0,78
4	B08010001700	CLIPS 17	1	kr 1,94
5	B12016620300	ROLING BEARING 6203	1	kr 27,97
6	24203B09F000	OIL SEAL 17X35X7	1	kr 11,27
7	24301B01F000	CLUTCH ASSY,SHOE	3	kr 155,40
8	24302B01F000	SPRING	3	kr 12,43
9	24303G02F000	NUT M28X1	1	kr 6,22
10	24700G02F000	HOUSING	1	kr 95,57
11	24305G02F940	NUT M10X1	1	kr 5,44
12	24243G02F000	O-RING 6.7X3	1	kr 0,78
13	24209G02F000	BEARING 638Z	1	kr 27,97
14	24101B09F000	FACE, MOVABLE DRIVE	1	kr 164,72
15	213119.005000	ROLLER, 6.3G	6	kr 10,49
16	24103G02F000	PLATE, MOVABLE DRIVE	1	kr 27,97
17	24104G02F000	DAMPER	3	kr 5,05
18	24105G02F000	COLLAR	1	kr 20,98
19	24106B01F000	WASHER	1	kr 0,78
20	24107B01F000	V BELT, DRIVE	1	kr 216,39
21	24108B09F000	FACE, FIXED DRIVE	1	kr 101,40
22	24109G02F000	PLATE, WOODRUFF KEY	1	kr 4,27
23	213203.001161	STARTING DISC	1	kr 29,91
24	15112G02F010	WASHER, SPRING	1	kr 1,17
25	B04031212553	NUT	1	kr 3,89
26	24204G02F000	FACE, FIXED DRIVEN	1	kr 133,64



## E08.2 CLUTCH ASSY



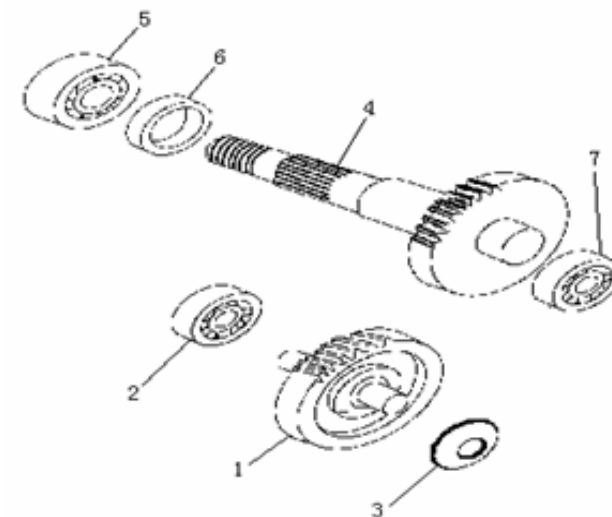
NO	PART NO	DESCRIPTION	QTY	PRICE
27	24205G02F000	FACE,MOVABLE DRIVEN	1	kr 131,31
28	24206G02F000	OIL SEAL	1	kr 5,44
29	24207G02F000	O-RING	2	kr 3,89
30	24208G02F000	PIN, GUIDE	2	kr 1,17
31	24308B01F000	SPRING	1	kr 26,03
32	24245G02F000	ROLLER BEARING	1	kr 70,32
33	24309G02F930	SEAT, SPRING	1	kr 16,32
34	24100B09F000	DRIVE ASSY	1	kr 380,34
35	213100.022000	SHIFT ASSY (WITH 6.3G ROLLER)	1	kr 987,18



## E09 TRANSMISSION SYSTEM ASSY



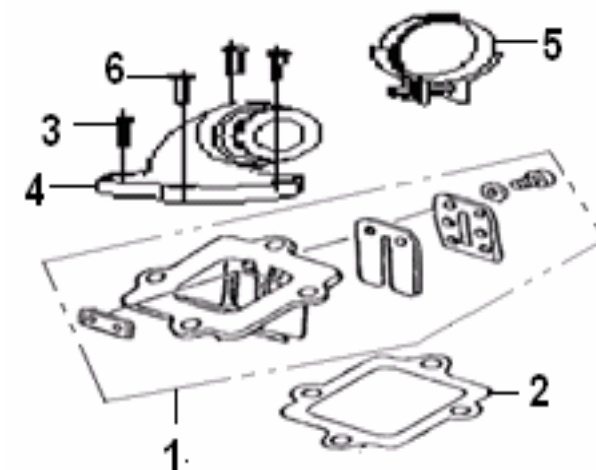
NO	PART NO	DESCRIPTION	QTY	PRICE
1	17800B09F000	SHAFT, IDLE	1	kr 253,69
2	B12016620000	BEARING 6200	1	kr 95,57
3	17732J01F000	WASHER, THRUST Ø14	1	kr 1,17
4	17300B09F000	SHAFT, REAR BOX	1	kr 299,53
5	B12016600400	NEEDLE BEARING 6004-2RS	1	kr 60,22
6	17317B09F000	OIL SEAL 25X44X7	1	kr 11,27
7	B12016620200	NEEDLE BEARING 6202	1	kr 42,35



## E10 REED VALVE ASSY



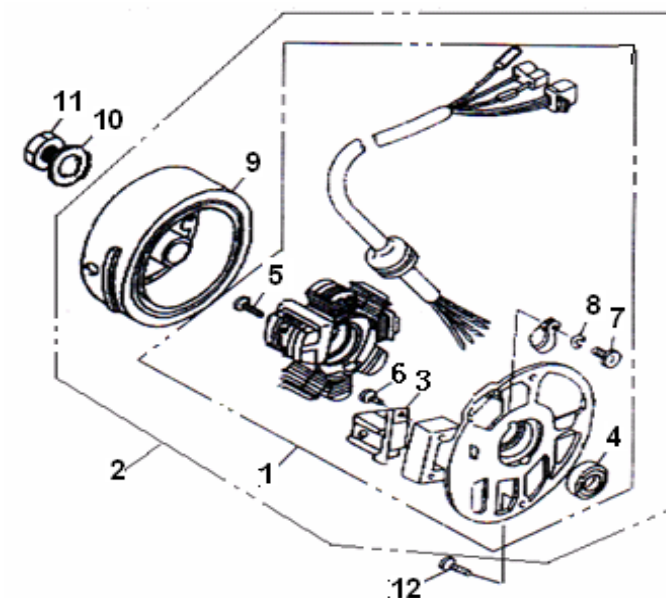
NO	PART NO	DESCRIPTION	QTY	PRICE
1	32300G02F000	REED VALVE ASSY	1	kr 220,67
2	202306.002000	VALVE SEAT GASKET	1	kr 4,27
3	302040602065	SCREW M6X20, USED WITH NO.6	3	kr 1,17
4	32200G02F000	PIPE, INTAKE	1	kr 1,17
5	202215.007994	CLIP, 30KM/H	1	kr 10,49
6	206412.001472	SCREW, USED WITH NO. 3	1	kr 0,78



## E11 MAGNETO ASSY



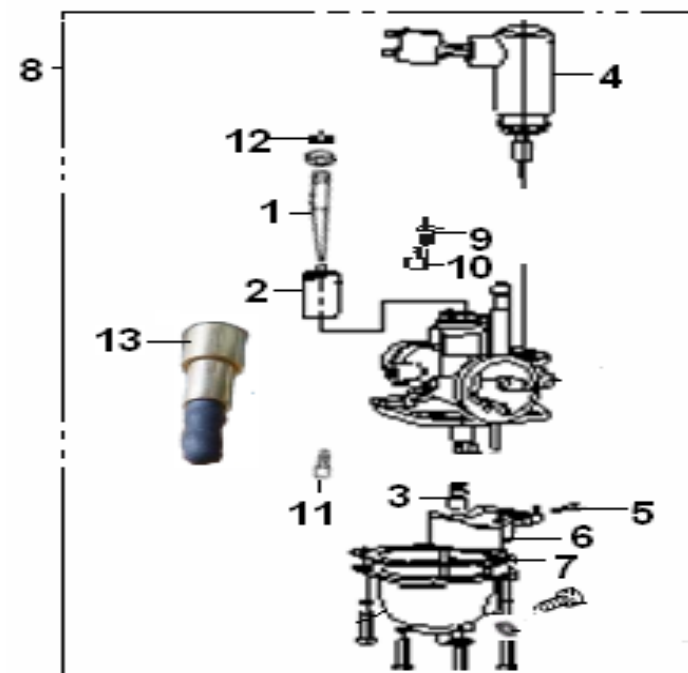
NO	PART NO	DESCRIPTION	QTY	PRICE
1	223102.104000	COIL ASSY	1	kr 280,89
2	223100.101000	MAGNETO ASSY (17°)	1	kr 354,90
3	34330G02F000	PULSE TRIGGER	1	kr 27,97
4	34350G02F000	OIL SEAT	1	kr 12,43
5	B02000502522	SCREW	2	kr 1,94
6	B02000501262	SCREW	2	kr 1,17
7	B02000400622	SCREW	1	kr 0,78
8	B07000000400	SPRING WASHER	1	kr 0,78
9	223101.022000	FLY WHEEL ASSY (17°)	1	kr 244,37
10	B07030001200	WASHER	1	kr 1,94
11	15228H03F000	NUT	1	kr 4,27
12	B01070601664	NUT	2	kr 1,17



## E12 CARBURETOR ASSY



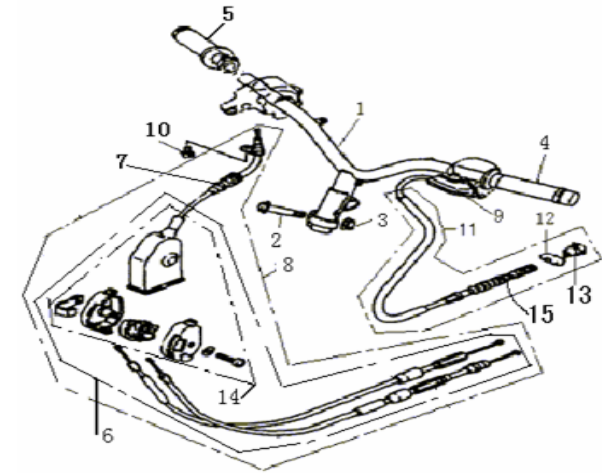
NO	PART NO	DESCRIPTION	QTY	PRICE
1	32510B01F000	NEEDLE JET	1	kr 15,54
2	32511B01F000	VALVE, PISTON, 30KM/H,45KM/HH	1	kr 52,84
3	224202.006000	MAIN JET 47.5#, 30KM/H,45KM/HH	1	kr 22,92
4	32612B01F000	ENRICH VALVE LENGTH 270	1	kr 505,83
5	32619B01F000	FLOAT PIN	1	kr 1,17
6	32620B01F000	FLOAT	1	kr 19,43
7	32701B01F000	GASKET	1	kr 7,38
8	224100112000	CARBURETOR ASSY(MIKUNI,MJ47.5,NJ15 WITHOUT HEATER,45KM)	1	kr 1.198,05
9	32800B09F000	HEATER ASSY.	1	kr 144,13
10	32801B09F000	L WASHER	1	kr 1,17
11	224202201090	IDLE JET (22.5#)	1	kr 22,92
11	224203.104000	IDLE JET (15#)	1	kr 22,92
12	32508B01F000	V-SHAPED CLIP	1	kr 3,89



## FO1 STEERING



NO	CODE	DESCRIPTION	QTY	PRICE
1	40100BMMT000	HANDLE COMP.	1	kr 102,11
2	B01591004565	BOLT 10X1.25X45MM	1	kr 9,32
3	B04171012555	U NUT 10X1.25MM	1	kr 6,22
4	40001J4AT000	L. GRIP	1	kr 18,65
5	40212J4AT000	GRIP ASSY.	1	kr 24,86
6	40330BM0T000	CABLE ASSY THROTTLE 2	1	kr 79,64
7	40306BM0T000	CABLE THROTTLE 1	1	kr 42,35
8	40300BM0T001	CABLE ASSY. THROTTLE	1	kr 122,38
9	40008BM0T000	JACKET, REAR. BRAKE CABLE	1	kr 1,94
10	B02000501025	PAN HEAD SCREW 5X10MM	1	kr 0,78
11	40270BMBT000	BRAKE CABLE ASSY.	1	kr 58,28
12	40273BM0T000	PIN, STOP	1	kr 0,78
13	40271BM0T000	NUT ADJUSTING	1	kr 1,94
14	40340BM0T001	JUNCTION BOX	1	kr 13,60
15	40274BMBT000	SPRING	1	kr 5,44

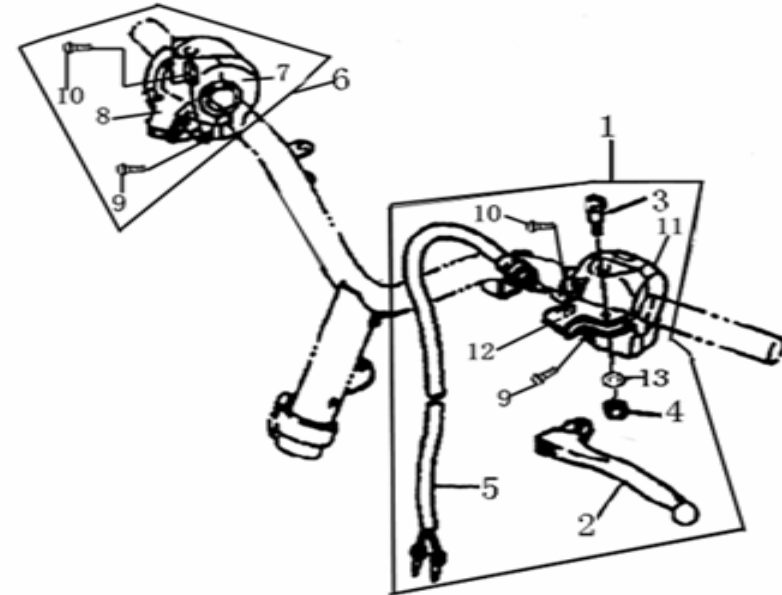




## F02 LEVER/HANDLE SWITCH



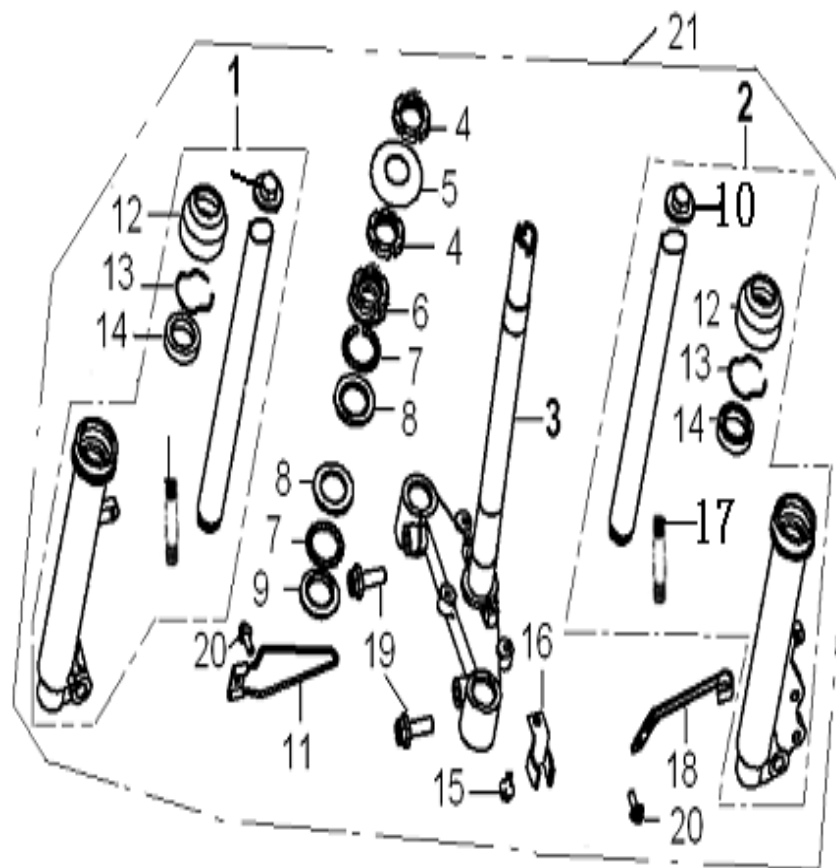
NO	CODE	DESCRIPTION	QTY	PRICE
1	40500BM0T002	LEFT HANDLE SWITCH ASSY.	1	kr 150,41
2	40002BMBT000	LEFT LEVER	1	kr 47,40
3	40004BMBT000	LEVER MOUNTING SCREW	1	kr 5,05
4	B04000500055	NUT 5MM	1	kr 1,17
5	91700BMBT000	STOP SWITCH ASSY.	1	kr 19,43
6	40600BM0T000	RIGHT HANDLE SWITCH ASSY.	1	\$141,80
7	40610BM0T000	RIGHT HANDLE SWITCH	1	kr 88,97
8	40620BM0T000	R. SWITCH FIXING SEAT	1	kr 47,79
9	B02000502025	PAN HEAD SCREW 5X20MM	2	kr 1,17
10	B02000502525	PAN HEAD SCREW 5X25MM	2	kr 1,17
11	40510BM0T000	LEFT HANDLE SWITCH	1	kr 88,97
12	40520BM0T000	L. SWITCH FIXING SEAT	1	kr 47,79
13	B07000000505	SPRING WASHER 5MM	1	kr 0,78



## F03 FRONT FORK ASSY.

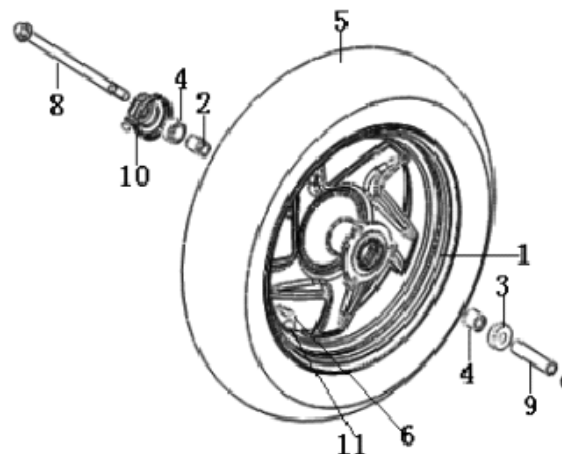


NO	CODE	DESCRIPTION	QTY	PRICE
1	43300BMBT001	RIGHT FORK ASSY. FOR 2007	1	kr 615,30
1	43300BMBTHU1	RIGHT FORK ASSY. <b>(GRAY)</b> FOR 2008 SEASON	1	kr 615,30
2	43200BMBT001	LEFT FORK ASSY. FOR 2007	1	kr 615,30
2	43200BMBTHU1	LEFT FORK ASSY. <b>(GRAY)</b> FOR 2008 SEASON	1	kr 615,30
3	43100BMBT003	STEM, STEERING	1	kr 412,20
4	43008BMBT000	NUT	2	kr 15,54
5	43005BMBT001	BALL RACE COVER	1	kr 3,89
6	43001BMBT002	BALL RACE, CONNECTING	1	kr 27,20
7	B06010150000	STEEL BALL	42	kr 0,78
8	43003BMBT000	BALL RACE	2	kr 46,62
9	43004BMBT000	BALL RACE	1	kr 34,19
10	43204BMBT001	CAP BOLT	2	kr 17,87
11	43150BMBT000	CLIP, SPEEDOMETER CABLE	1	kr 5,05
12	43290K00P000	DUST SEAL	2	kr 20,98
13	43207K00P000	CLIP	2	kr 1,17
14	43260K00P000	OIL SEAL	2	kr 45,84
15	B01090601265	BOLT 6X12MM	1	kr 1,17
16	43035BMBT000	HOLDER, BRAKE HOSE 2	1	kr 3,89
17	43202BMBT001	SPRING	2	kr 39,24
18	43021BMBT003	HOLDER, BRAKE HOSE 1	1	kr 1,94
19	B01591003065	BOLT 10X1.25X30MM	2	kr 7,38
20	B01070601665	BOLT 6X16MM	2	kr 1,17
17	43000BMBT001	FRONT FORK ASSY. FOR 2007	1	kr 1.367,89
17	43000BMBTHU1	FRONT FORK ASSY. <b>(GRAY)</b> FOR 2008	1	kr 1.367,89



**F04 FRONT WHEEL ASSY.**

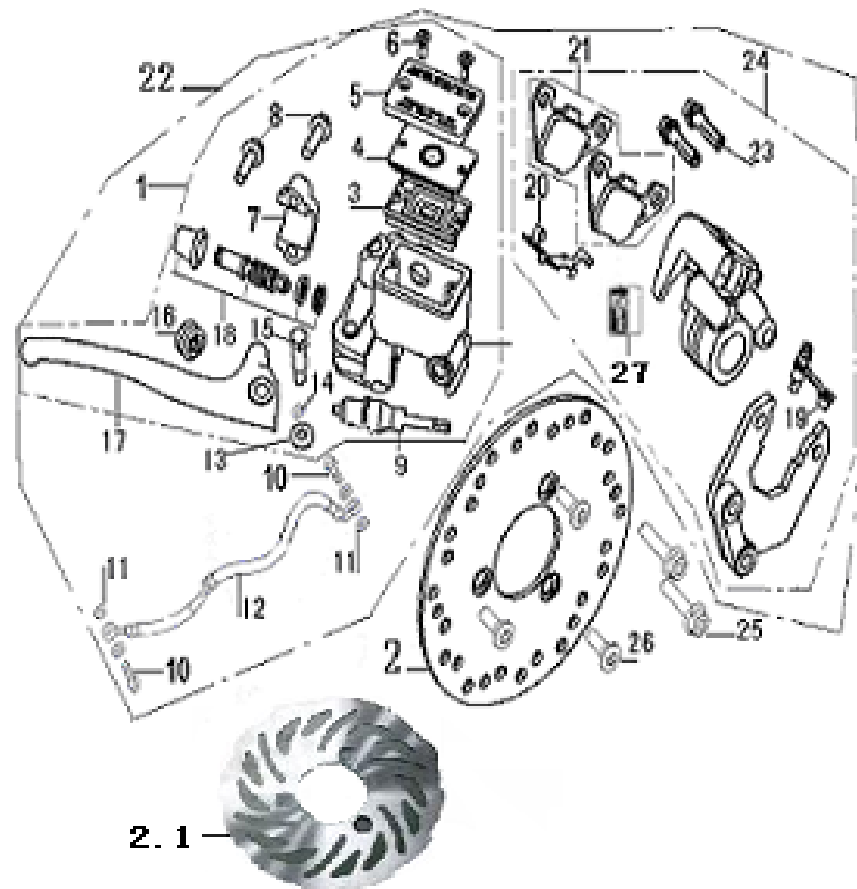

NO	CODE	DESCRIPTION	QTY	PRICE
1	44100BM0TB4A	FRONT .RIMCOMP.3.5X12" (BLACK B4) HALF PAINTED ALLOY, FOR 2006 SEASON	1	kr 905,59
1	44100BM0TBHA	FRONT.RIMCOMP.3.5X12" (BLACK BH) HALF PAINTED ALLOY, FOR 2007 SEASON	1	kr 984,85
1	44100B91BH2A	FRONT.RIM COMP.3.5X12" BLACK (BH) 2008 SEASON	1	kr 984,85
2	44600BM0T910	DISTANCE COLLAR COMP.	1	kr 13,21
3	44300BM0T000	OIL SEAL 22X35X7	1	kr 1,94
4	B12016020100	BALL BEARING 6201-2RS	2	kr 27,97
5	T26126029127	TIRE 120/70-12	1	kr 244,00
6	B1403Z201100	RIM VALVE Z2-01-1	1	kr 29,14
7	B04171212553	U NUT 12X1.25MM	1	kr 7,38
8	44004G4CT000	FRONT WHEEL AXLE	1	kr 54,78
9	44005BM0T000	COLLAR	1	kr 10,49
10	44200BM0T000	SPEEDOMETER GEAR COMP. 30 KM FOR 2006 SEASON	1	kr 127,43
10	44200J5BT000	SPEEDOMETER GEAR COMP. 45 KM FOR 2006 SEASON	1	kr 127,43
10	44200BMBTBH0	SPEEDOMETER GEAR COMP. FOR ALL 45 KM ANALOGIC VEHICLE OF 2007-2008	1	kr 127,43
10	44200J5BTBH0	SPEEDOMETER GEAR COMP. FOR ALL 45 KM DIGITAL VEHICLE OF 2007-2008	1	kr 127,43
11	B1404Z2011C0	CAP, VALVE	1	kr 1,17



## F05 FRONT DISK BRAKE



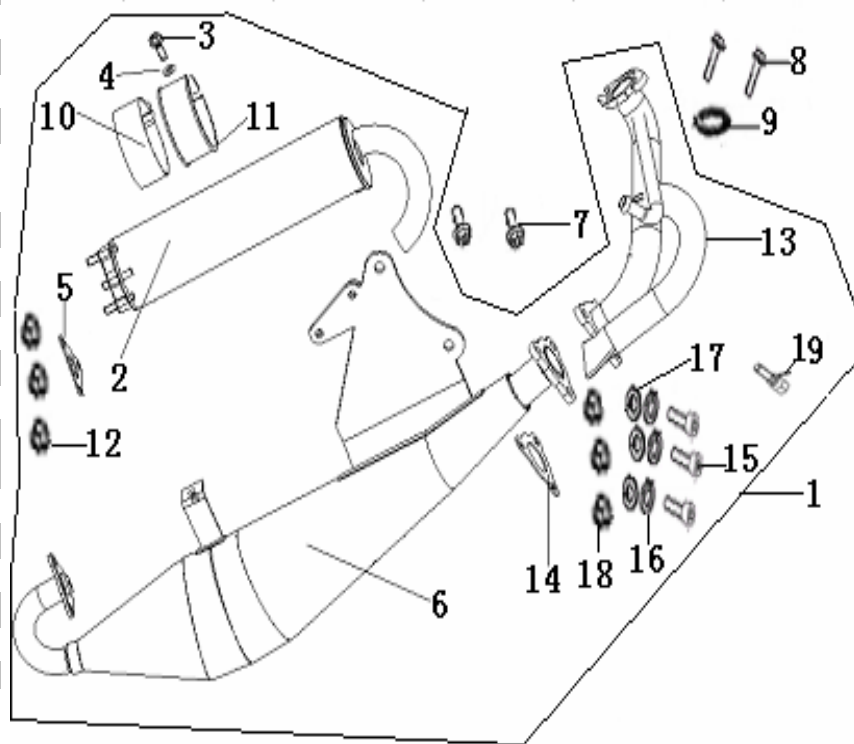
NO	CODE	DESCRIPTION	QTY	PRICE
1	45400BMMTB30	CYLINDER COMP. BLACK)	1	kr 386,56
2,1	45033BMBT001	FRONT DISC	1	kr 271,17
2	45033BMBTC20	FRONT DISC NOT AVAILABLE	0	kr -
4	45013J1DT000	WASHER, CYLINDER	1	kr 15,54
5	45012BMBT000	RESERVOIR CAP	1	kr 19,81
6	B02010401025	FLAT HEAD SCREW 4X10MM	2	kr 3,89
7	45023J1DT000	MASTER CYL. BRACKET	1	kr 20,98
8	B01070602365	BOLT 6X23MM	2	kr 1,17
9	45300J3AT000	STOP SWITCH ASSY.	1	kr 19,43
10	45037J00P000	UNION BOLT	2	kr 13,21
11	45029J00P000	PLATE WASHER	4	kr 5,05
12	45200BMBT000	FR. BRAKE HOSE	1	kr 384,62
13	B04160600065	NUT 6MM	1	kr 1,17
14	B07000000605	SPRING WASHER 6MM	1	kr 0,78
15	45024J1CT000	BOLT M6	1	kr 1,94
16	45057GOKP000	TENSION SPRING, LEVER	1	kr 5,05
17	45022BMBT001	DISC BRAKE LEVER	1	kr 24,86
18	45140J00P000	PISTON ASSY.	1	kr 59,05
19	45021J00P000	BREED SCREW CAP	1	kr 6,22
20	45017G0CP000	PAD SUPPORT	1	kr 19,43
21	45110J4FT000	BRAKE PAD ASSY	1	kr 60,22
22	45000BMMTRN0	DISC BRAKE ASSY	1	kr 1.141,09
23	45053G0CP000	GUIDE POLE	2	kr 14,37
24	45500J4FTRN0	CALLIPER ASSY. (RED)	1	kr 338,77
25	45039J4FT001	BOLT 8X36MM	2	kr 1,94
26	45036BMAT000	BOLT	3	kr 5,05
27	45700BMBTB30	A.B.S	1	kr 96,35



## F06 SPORTY MUFFLER 30 CC



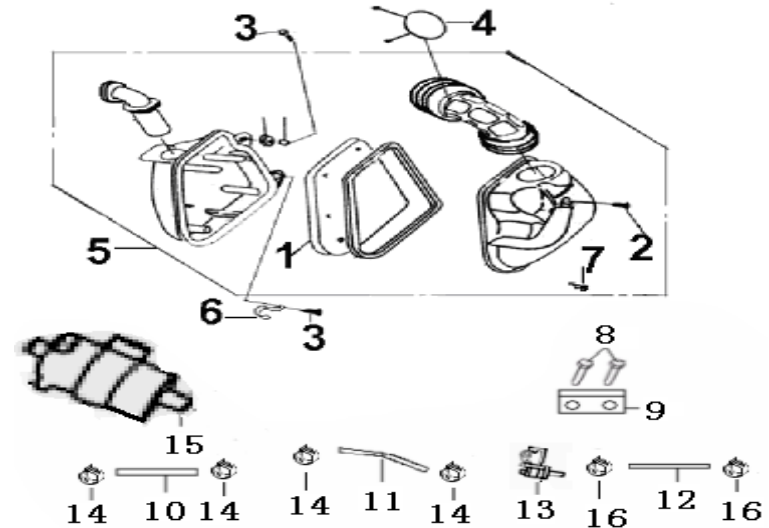
NO	CODE	DESCRIPTION	QTY	PRICE
1	47100B940008	MUFFLER ASSY COMP. (WITH CATALYZER,30KM/H)	1	kr 1.997,10
2	48300BM0T002	MUFFLER CANISTER ASSY.	1	kr 1.091,48
3	B01090602064	BOLT 6X20MM	1	kr 1,17
4	B07000000604	WASHER 6MM	1	kr 1,55
5	47490BM0T005	CUSHION	1	kr 6,22
6	47200B940008	MUFFLER CANISTER ASSY.30KM/H	1	kr 1.091,48
7	B01090802065	BOLT 8X20MM	2	kr 1,94
8	B01090601665	BOLT 6X16MM	2	kr 1,17
9	47800B0DT000	GASKET, EXHAUST PIPE	1	kr 6,22
10	47833B2GT005	ADIABATIC RUBBER	1	kr 7,38
11	48831B2GT005	MUFFLER HOOP	1	kr 12,43
12	47006J0AP000	NUT 6MM	3	kr 1,17
13	47500B940008	EXHAUST PIPE COMP.(30KM/H)	1	kr 84,69
14	47490BMBT000	GASKET, FLANGE	1	kr 5,05
15	B02050602565	SCREW M6X25	3	kr 1,17
16	B07000000605	SPRING WASHER 6	3	kr 0,78
17	B07030000605	WASHER 6	3	kr 0,78
18	B04000600055	NUT 6MM	3	kr 1,17
19	08002BM0T001	SCREW M6X25	1	kr 0,78



## F07 AIR CLEANER



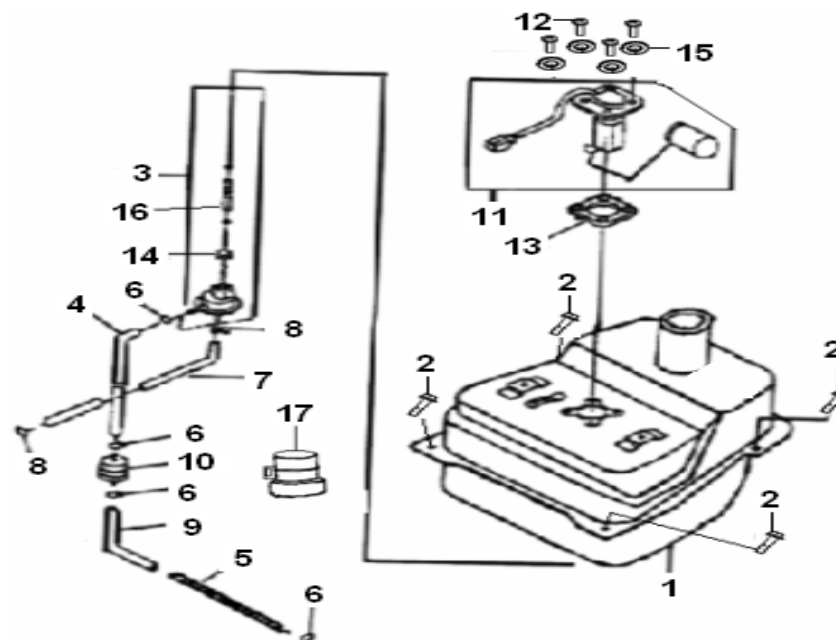
NO	CODE	DESCRIPTION	QTY	PRICE
1	49200BMBT000	FILTER	1	kr 43,51
2	B05074202005	TAPPING SCREW 4.2X20MM	5	kr 0,78
3	B01090602065	BOLT 6X20MM	2	kr 1,17
4	49016BM0T000	CLIP 42.5, WHITEOUT TUBE	1	kr 6,99
5	49000BMBT000	AIR CLEANER ASSY. Ø11 WHIT TUBE	1	kr 262,24
6	49371B0DT000	GUIDE, BRAKE CABLE	1	kr 1,94
7	B05074201205	TAPPING SCREW 4.2X1.2MM	4	kr 0,78
9	57051B2GT000	PLATE, ONE WAY VALVE	1	kr 19,81
10	49853BMMT000	HOSE II 205MM	1	kr 13,21
11	49852BMMT000	HOSE I 230MM	1	kr 13,60
12	49851BMMT002	HOSE 550MM	1	kr 165,50
13	49840B0ES000	ONE WAY VALVE II	1	kr 114,22
14	49805BMBT000	SPRING	4	kr 0,78
15	49870B2GT000	AIR CLEANER, SMALL	1	kr 96,35
16	49855B0ES000	SPRING	2	kr 0,78



## F08 FUEL TANK



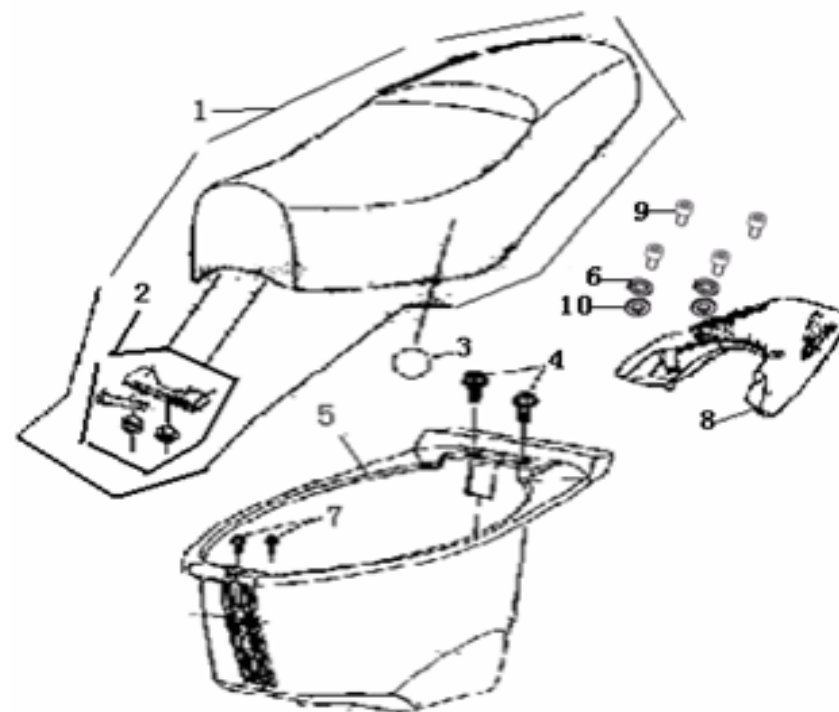
NO	CODE	DESCRIPTION	QTY	PRICE
1	50100BMBT002	FUEL TANK COMP.(5.2L)	1	kr 606,06
2	B01090601665	BOLT 6X16MM	4	kr 1,17
3	50300BM0T000	FUEL COCK ASSY.	1	kr 63,33
4	50301BM0T000	FUEL HOSE 1 , Ø4.5XØ8.5X80	1	kr 6,99
5	50316BMBT000	SPRING (BLACK)	1	kr 5,05
6	50307BM0T000	CLIPØ8	4	kr 1,17
7	50302BM0T000	VACUUM HOSE,Ø4XØ8X360	1	kr 6,99
8	50306BM0T000	CLIPØ7	2	kr 1,94
9	50303BM0T000	FUEL HOSE 2,Ø4.5XØ8.5X250	1	kr 7,38
10	50340J0ET000	FUEL FILTER ASSY.	1	kr 7,38
11	50800BMBT000	SENDER UNIT	1	kr 75,37
12	50801BM0T000	BOLT 5X16MM	4	kr 1,17
13	50004BMBT000	SENDER UNIT GASKET	1	kr 3,89
14	50312J0ET000	SEAL RING	1	kr 1,94
15	B07020000505	WASHER 5MM	4	kr 0,78
16	50352BM0T000	FUEL FILTER	1	kr 35,35
17	50391J0ET000	GASKET	1	kr 1,17



## F09 SEAT



NO	CODE	DESCRIPTION	QTY	PRICE
1	51100BMMT000	SEAT ASSY	1	kr 642,58
2	51080BMBT001	SEAT HINGE	1	kr 67,21
3	08032BM0T000	O-RING 84.4X3.1	1	kr 1,94
4	08011H60X000	BOLT 6X14MM	2	kr 1,94
5	51004BMMT000	LUGGAGE BOX	1	kr 160,84
6	B07030000805	WASHER 8MM	2	kr 0,78
7	08017J4AT000	BOLT W/WASHER 6X20MM	2	kr 1,17
8	52011BMKTBA0	REAR CARRIER COMP (BLACK BA) FOR BLACK BA VEHICLE OF 2006	1	kr 170,94
8	52011BMKTB10	REAR CARRIER COMP (BLACK) FOR BLUE E4 VEHICLE	1	kr 170,94
8	52011BMKTB40	REAR CARRIER COMP (BLACK B4) FOR BLACK B4 VEHICLE OF 2006 & ALL VEHICLE OF 2007	1	kr 170,94
8	52011BMKTBH0	REAR CARRIER COMP (BLACK BH) FOR BLACK BH VEHICLE OF 2008	1	kr 170,94
9	B02050804565	SCREW 8X45MM	4	kr 0,78
10	08027J4AT000	WASHER	2	kr 1,17

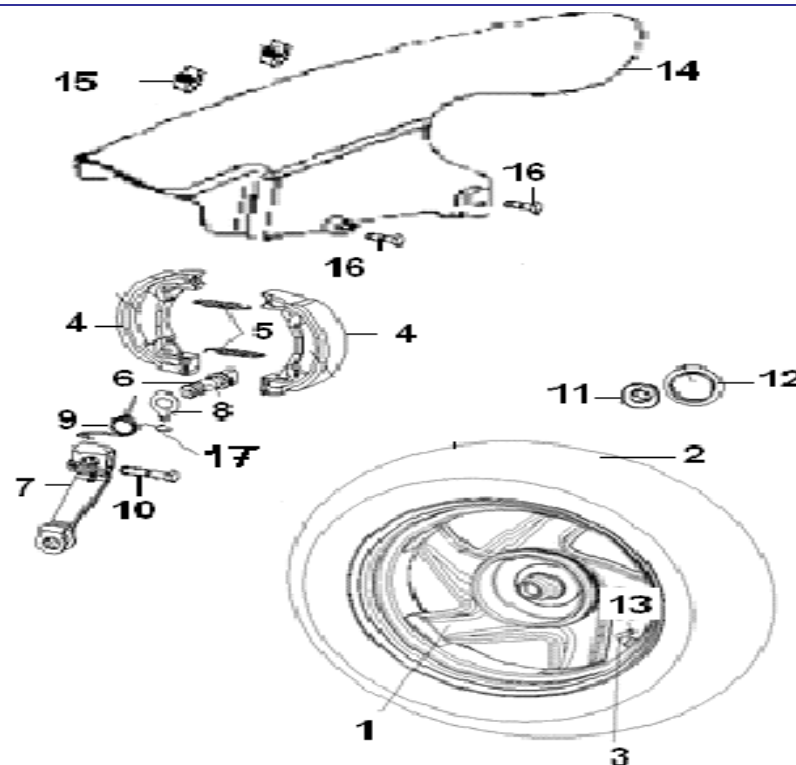




## F10 REAR WHEEL



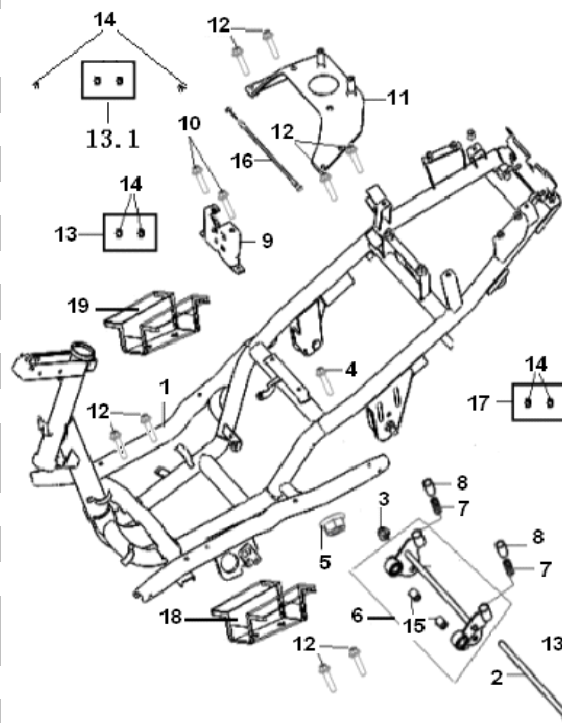
NO	CODE		QTY	PRICE
1	54100BM0TB4A	REAR .RIMCOMP.3.5X12" (BLACK B4) HALF PAINTED ALLOY, FOR 2006 SEASON	1	kr 1.044,68
1	54100BM0TBHA	REAR .RIMCOMP.3.5X12" (BLACK BH) HALF PAINTED ALLOY, FOR 2007 SEASON	1	kr 1.044,68
1	54100B91BH2A	REAR .RIMCOMP.3.5X12" ,BLACK (BH) FULLY PAINTED ALLOY, FOR 2008 SEASON	1	kr 1.044,68
2	T26126029137	TIRE 130/70-12	1	kr 271,00
3	B1403Z201100	RIM VALVE Z2-01-1	1	kr 29,14
4	54200BMBT000	BRAKE SHOE ASSY	1	kr 47,79
5	54001BMBT000	SPRING BRAKE SHOE	2	kr 7,38
6	54003BM0T000	CAM SHAFT	1	kr 34,97
7	54007BM0T000	CAM SHAFT LEVER	1	kr 32,25
8	54002BM0T000	INDICATOR PLATE	1	kr 3,89
9	54008BMBT000	TENSION SPRING	1	kr 4,27
10	08012BM0T000	BOLT 6×30MM (GOLD)	1	kr 1,94
11	B04171615053	U NUT 16×1.5MM	1	kr 12,43
12	54027BM0T000	CAP	1	kr 5,05
13	B1404Z2011C0	CAP, VALVE	1	kr 1,17
14,1	65701BMBT001	HUGGER	1	kr 46,62
15,1	65803J0ET000	SPRING NUT M6	2	kr 1,17
16,1	B01090602065	BOLT 6×20MM	2	kr 1,17



## F11 FRAME BODY



NO	CODE	DESCRIPTION	QTY	PRICE
1	57100BMBT004	FRAME COMP.	1	kr 1.669,77
2	58303BM0T000	E/G MOUNTING BOLT,M12X1.25X280	1	kr 42,35
3	B04171212565	U NUT 12X1.25MM	1	kr 7,38
4	58301BMBT000	E/G MOUNTING BOLT,	2	kr 11,66
5	B04171012555	U NUT 10X1.25MM	2	kr 6,22
6	58360BMBT000	E/G BRACKET COMP.	1	kr 210,18
7	58302B0DT000	DAMPER	2	kr 5,05
8	58304BMBT000	SPRING	2	kr 1,17
9	58800BM0T000	SEAT CATCH COMP.	1	kr 55,94
10	B01090602565	BOLT 6X25MM	2	kr 1,17
11	57080BMKT000	CARRIER BRACKET	1	kr 101,79
12	B01090601265	BOLT 6X12MM	8	kr 1,17
13	57001BMMT011	FRAME BODY NO. PLATE FOR 30 CC	1	kr 7,38
14	B100432007P0	RIVET 3,2*7MM	6	kr 0,78
15	58350BMAT000	BUFFER, ENGINE BRACKET	2	kr 25,64
16	58900BMBT000	SEAT CABLE	1	kr 11,66
17	57002BMBT011	ANTI-TEMPERING PLATE FOR 30 CC	1	kr 10,49
18	57417BMMT000	LEFT FLOOR BRACKET	1	kr 27,97
19	57417BMMT000	RIGHT FLOOR BRACKET	1	kr 27,97

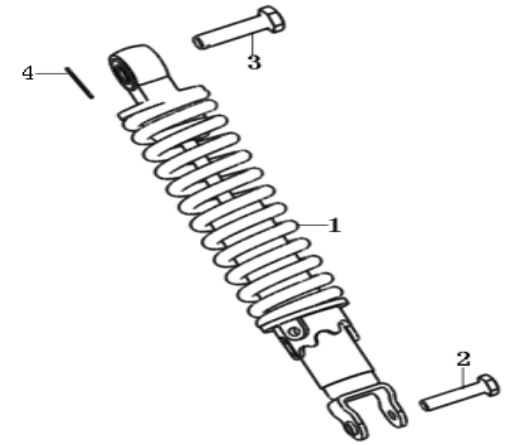


KEEWAY INTERNATIONAL DEVELOPMENT CO., LTD  
 e3 0274 02  
 TSYTABMR1 ??????????  
 76 dB(A) AT 3000 min<sup>-1</sup>

## F12 REAR ABSORBER



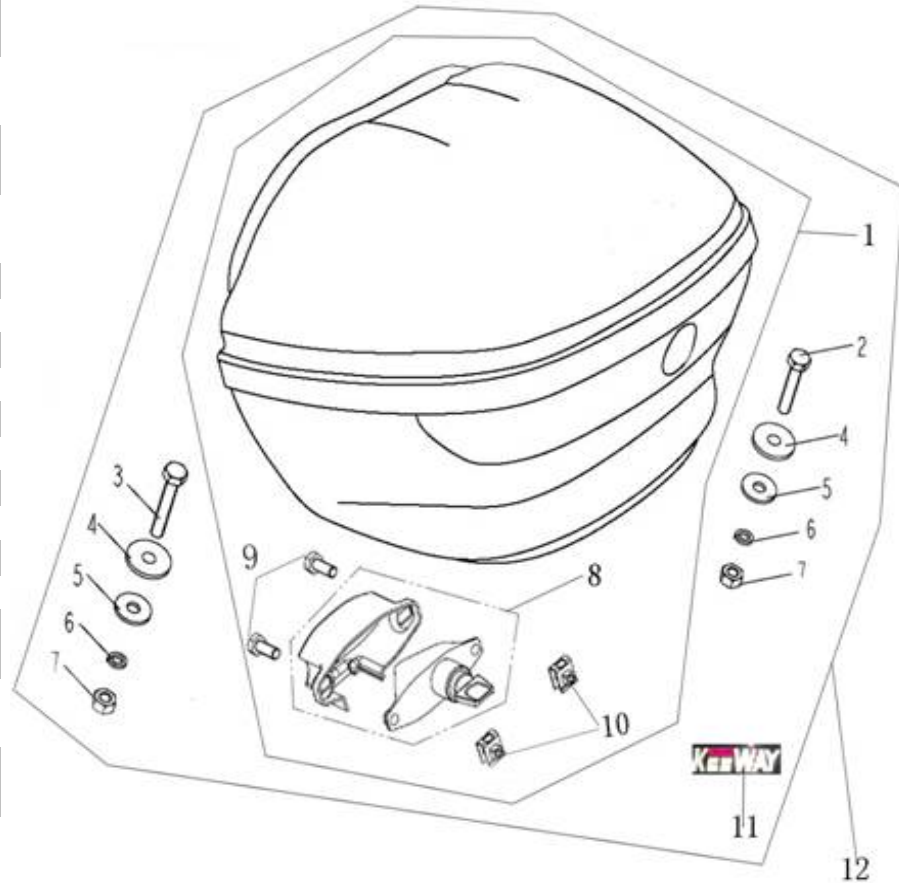
NO	CODE	DESCRIPTION	QTY	PRICE
1	63100BM0TB30	REAR. ABSORBER COMP. (BLACK B3) FOR ALL COLLOR VEHICLE OF 2006	1	kr 446,39
1	63100BM0TBH0	REAR. ABSORBER COMP. (BLACK BH) FOR ALL VEHICLE OF 2007-2008	1	kr 446,39
2	63015J0ET000	FLANGE BOLT ,8X31MM	1	kr 3,89
3	B01141004063	BOLT/HOLE 10X1.25X40MM	1	kr 7,38
4	63016B0DT000	SPLIT PIN	1	kr 4,27



## F13 BACK BOX ASSY



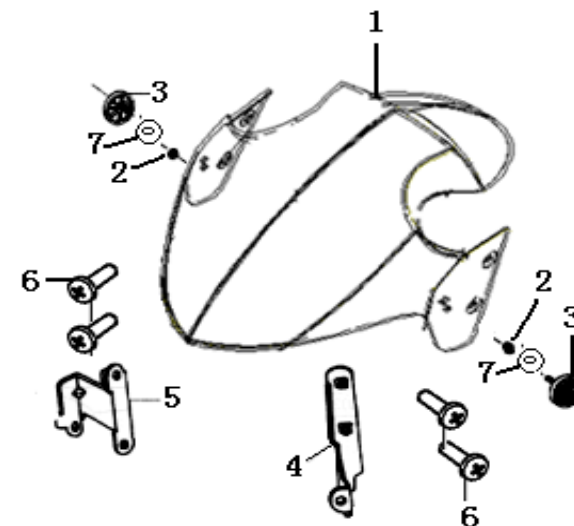
NO	CODE	DESCRIPTION	QTY	PRICE
1	52210BMBTE40	BACK BOX (BLUE E4) USED FOR BLUE E4 VEHICLE	1	kr 522,11
1	52210BMBTB40	BACK BOX (BLACK B4) FOR BLACK B4 VEHICLE OF 2006	1	kr 522,11
1	52210BMBTBA0	BACK BOX (BLACK BA) FOR BLACK BA VEHICLE OF 2006	1	kr 522,11
1	52210BMBTBH0	BACK BOX (BLACK BH) FOR BLACK BH VEHICLE OF 2007	1	kr 522,11
2	B01010603033	BOLT 6X30MM	2	kr 0,78
3	B01010603533	BOLT M6X35	2	kr 0,78
4	52221BMBT000	WASHER	4	kr 0,78
5	B07020000603	WASHER 6MM	4	kr 0,78
6	B07000000603	SPRING WASHER 6MM	4	kr 0,78
7	B04000600043	NUT 6MM	4	kr 0,78
8	88600BMBT000	BACK BOX LOCK	1	kr 0,78
9	B01070601663	SCREW 6X16MM	2	kr 0,78
10	52910BMBT000	NUT, CLIPPING 6MM	2	kr 0,78
11	05591BMBT000	BACK BOX COVER	1	kr 7,38
12	52200BMBTE40	BACK BOX ASSY (BLUE E4) FOR BLUE E4 VEHICLE	1	kr 522,11
12	52200BMBTB40	BACK BOX ASSY (BLACK B4) FOR BLACK B4	1	kr 522,11
12	52200BMBTBA0	BACK BOX ASSY (BLACK BA) FOR BLACK BA VEHICLE	1	kr 522,11
12	52200BMBTBH0	BACK BOX ASSY (BLACK BH) BLACK BH VEHICLE OF 2007	1	kr 522,11



## F14 FRONT FENDER



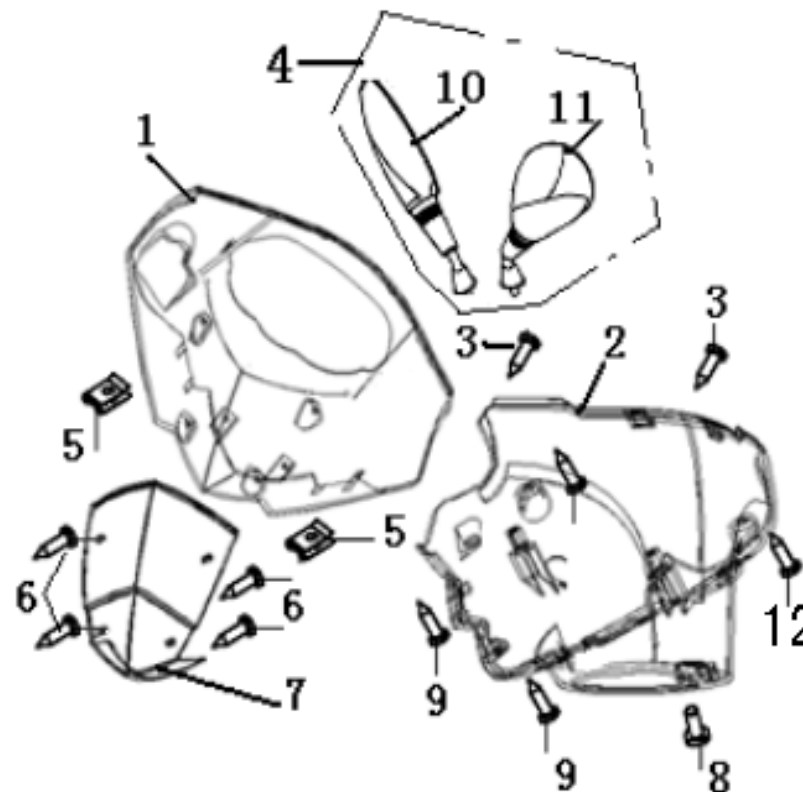
NO	CODE	DESCRIPTION	QTY	PRICE
1	65101BMMTBH0	FRONT FENDER, (BLACK BH) FOR ALL COLOR VEHICLE OF 2007-2008 & BLUE E4 OF 2006	1	kr 209,01
1	65101BMMTB40	FRONT FENDER, (BLACK B4) FOR BLACK B4 VEHICLE OF 2006	1	kr 209,01
1	65101BMMTB40	FRONT FENDER, (BLACK BA) FOR BLACK BA VEHICLE OF 2006	1	kr 209,01
2	B04000500063	NUT 5MM	2	kr 1,17
3	86300BMMT000	FRONT REFLECTOR	2	kr 54,00
4	65130B20T000	FRONT FENDER BRACKET, 1	1	kr 10,49
5	65140B20T000	FRONT FENDER BRACKET, 2	1	kr 10,49
6	65114BMBT000	SCREW W/WASHER M6X16	4	kr 1,17
7	B07030000503	WASHER 5MM	2	kr 0,78



## F15 HANDLE COVER



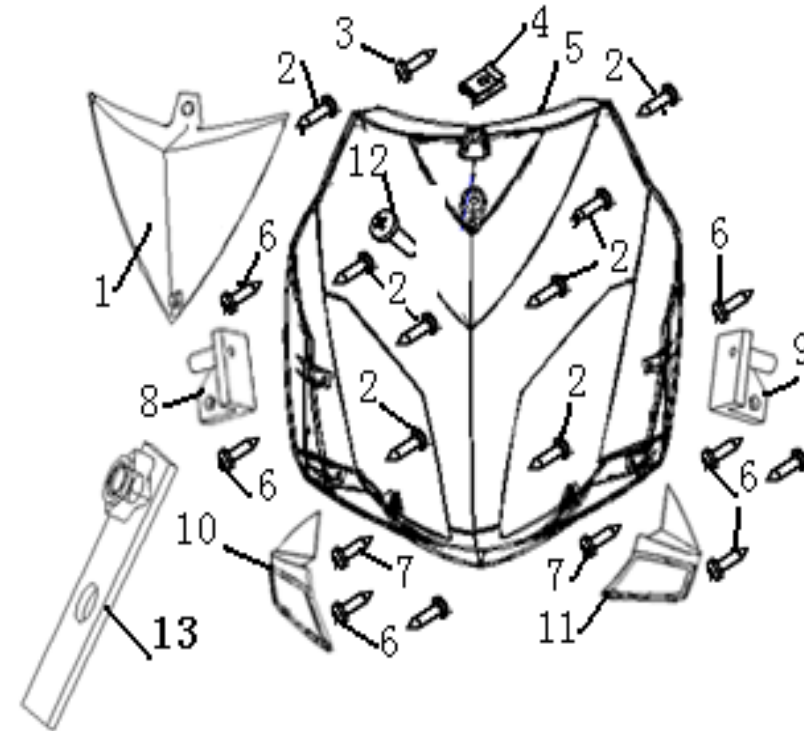
NO	CODE	DESCRIPTION	QTY	PRICE
1	65201BMMTBH0	HANDLE COVER, 1, (BLACK BH) ALL VEHICLE 2007-08 & BLACK BA VEHICLE 2006	1	kr 269,64
1	65201BMMTC20	HANDLE COVER (SILVER C2) FOR BLACK B4 & BA OF 2006	1	kr 269,64
1	65201BMMTE40	HANDLE COVER (BLUE E4) BLUE EN VEHICLE OF 2006	1	kr 269,64
1	65201B94002z	HANDLE COVER(BLACK/BH) WITH STICK,BLACK BH 07-08	1	kr 283,82
2	65202BMMT000	HANDLE COVER, 2	1	kr 157,73
3	B05074801305	TAPPING SCREW 34,8X13MM	2	kr 0,78
4	40450BMBT000	REAR VIEW MIRROR ASSY	1	kr 142,19
5	65801BMAT000	SPRING NUT 4MM	2	kr 0,78
6	B05074001005	TAPPING SCREW 4X10MM	4	kr 0,78
7	65203BMMTBH0	METER VISION ASSY (BLACK BH/BA) ALL VEHICLE 07-08	1	kr 93,24
7	65203BMMTB40	METER VISION ASSY (BLACK B4) FOR BLACK B4 VEHICLE	1	kr 93,24
7	65203BMMTB40	METER VISION ASSY (BLACK B4) FOR BLACK B4 VEHICLE	1	kr 93,24
7	65203BMMTB40	METER VISION ASSY (BLACK BA) BLACK BA VEHICLE 2006	1	kr 93,24
7	65203BMMTB40	METER VISION ASSY (BLACK BA) BLACK BA VEHICLE 2006	1	kr 93,24
7	65203B940020	METER VISION ASSY (SILVER /BLACK C2/B4)BLUE E4 2006	1	kr 93,24
8	B02060501425	SCREW 5*14MM	1	kr 0,78
9	B05074201605	TAPPING SCREW 4,2*16MM	2	kr 0,78
10	40470BMBT000	VIEW MIRROW R	1	kr 93,24
11	40460BMBT000	VIEW MIRROW L	1	kr 93,24
12	B05074001605	TAPPING SCREW 4*16MM	2	kr 0,78



## F16.1 FRONT COVER



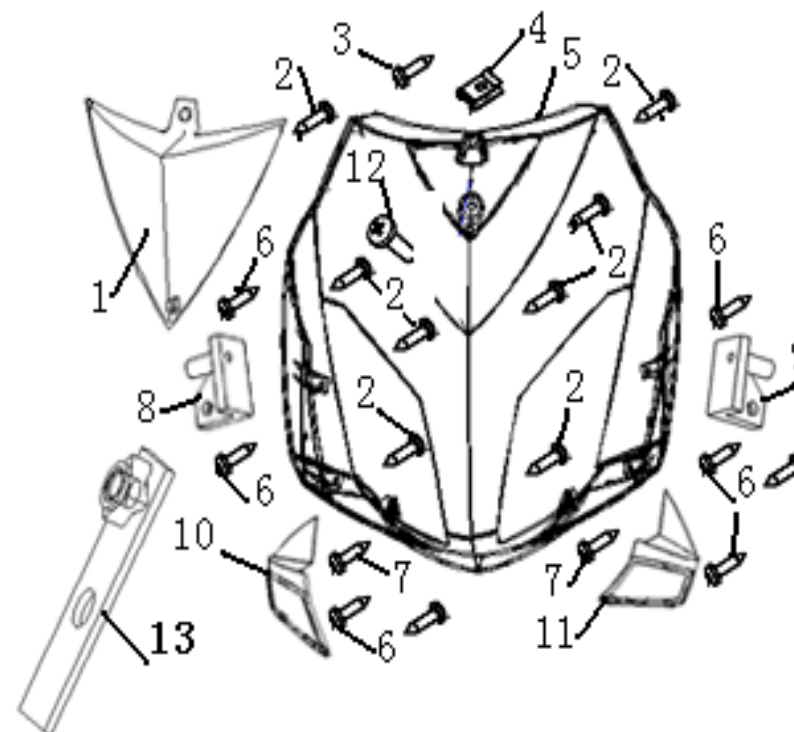
NO	CODE	DESCRIPTION	QTY	PRICE
1	65303BMMTB40	FRONT DECORATION COVER (BLACK/BA) FOR ALL VEHICLE OF 2007-08 AND B4 OF 2006	1	kr 58,28
1	65303BMMTB40	FRONT DECORATION COVER (BLACK/B4) FOR B4 VEHICLE	1	kr 58,28
1	65303BMMTC20	FRONT DECORATION COVER (SILVER/C2) FOR BLUE C2 VEHICLE OF 2006	1	kr 58,28
2	B05074001605	TAPPING SCREW 4X16MM	8	kr 0,78
3	B05074201605	TAPPING SCREW 4,2X16MM	1	kr 0,78
4	65801BMAT000	SPRING NUT 4MM	1	kr 0,78
5	65301B940020	FRONT COVER (SIVLER HN/CE) WITHOUT STICKERS, FOR BLACK BH VEHICLE 07-08	1	kr 766,08
5	65301BMMTB40	FRONT COVER (SIVLER /BLACK B4) WITH STICKERS FOR BLACK B4 VEHICLE 06	1	kr 766,08
5	65301BMMTB40	FRONT COVER (SIVLER /BLACK BA) WITH STICKERS, FOR BLACK BA OF 06	1	kr 766,08
5	65301BMMTE40	FRONT COVER (BLUE /BLACK E4/B4) WITH STICKERS, FOR BLUE E4 VEHICLE OF 06	1	kr 766,08
5	65301B94002Z	FRONT COVER (SIVLER /GRAY HN/CE) WITH STICKERS, BLACK BH 07-08	1	kr 794,43
6	B05074201605	TAPPING SCREW 4,2*16MM	8	kr 0,78



## F16.2 FRONT COVER



NO	CODE	DESCRIPTION	QTY	PRICE
7	B05074201305	TAPPING SCREW 4,2*13MM	2	kr 0,78
8	65355BMMT000	HEADLIGHT BRACKET. R	1	kr 31,86
9	65354BMMT000	HEADLIGHT BRACKET. L	1	kr 31,86
10	65367BMMTB40	HEADLIGHT BRACKET R.(BLACK B4) USED FOR BLACK B4 & BLUE E4 VEHICLE OF 2006	1	kr 36,52
10	65367BMMTBA0	HEADLIGHT BRACKET R.(BLACK BA) USED FOR ALL COLOR VEHICLE OF 2007- 2008 & BLACK BA VEHICLE OF 2006	1	kr 36,52
11	65366BMMTBA0	HEADLIGHT BRACKET L.(BLACK BA) USED FOR ALL COLOR VEHICLE OF 2007- 2008 & BLACK BA VEHICLE OF 2006	1	kr 36,52
11	65366BMMTB40	HEADLIGHT BRACKET H.(BLACK B4) USED FOR BLACK B4 & BLUE E4 VEHICLE OF 2006	1	kr 36,52
12	B13010601605	SCREW 6*16MM	1	kr 0,74
13	57130BMMT000	COVER BRACKET	1	kr 22,92





**F17.1 FRONT COVER DECORATION ASSY.**



NO	CODE	DESCRIPTION	QTY	PRICE
1	65363BMMTB40	DECORATION. R.(BLACK B4) FOR BLACK B4 & BLUE E4 OF 2006	1	kr 88,97
1	65363BMMTBA0	DECORATION. R.(BLACK/BA) FOR ALL COLOR VEHICLE OF 2007-2008 & BA VEHICLE OF 2006	1	kr 88,97
2	65362BMMTB40	DECORATION. L.(BLACK B4) FOR BLACK B4 & BLUE E4 OF 2006	1	kr 88,97
2	65362BMMTBA0	DECORATION. L.(BLACK/BA) FOR ALL COLOR VEHICLE OF 2007-2008 & BA VEHICLE OF 2006	1	kr 88,97
3	65365BMMTE40	FRONT COVER BRACKET .R.(BLUE E4) FOR BLUE E4 VEHICLES OF 2006	1	kr 261,07
3	65365BMMTBA0	FRONT COVER BRACKET .R SATIN BLACK BA FOR BLACK BA VEHICLES OF 2006	1	kr 261,07
3	65365BMMTB40	FRONT COVER BRACKET .L (BLACK B4) FOR BLACK B4 VEHICLES OF 2006	1	kr 261,07
3	65365BMMTHN0	FRONT COVER BRACKET .R (GRAY HN) WITHOUT STICKERS FOR BLACK BH VEHICLES OF 2007-2008	1	kr 261,07
3	65365B94002Z	FRONT COVER BRACKET .R (GRAY HN) WITH BLACK STICKERS FOR BLACK BH VEHICLES OF 2007-2008	1	kr 280,50



## F17.2 FRONT COVER DECORATION ASSY.



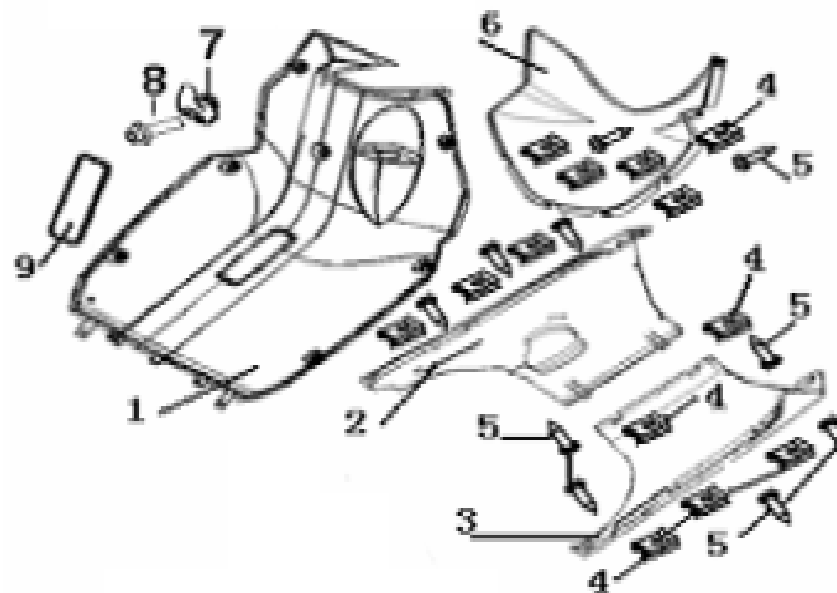
NO	CODE	DESCRIPTION	QTY	PRICE
4	65364BMMTE40	FRONT COVER BRACKET .L (BLUE E4) FOR BLUE E4 VEHICLES OF 2006	1	kr 261,07
4	65364BMMTBA0	FRONT COVER BRACKET .L SATIN BLACK BA FOR BLACK BA VEHICLES OF 2006	1	kr 261,07
4	65364BMMTB40	FRONT COVER BRACKET .L (BLACK B4) FOR BLACK B4 VEHICLES OF 2006	1	kr 261,07
4	65364BMMTHN0	FRONT COVER BRACKET .L (GRAY HN) WITHOUT STICKERS FOR BLACK BH VEHICLES OF 2007-2008	1	kr 261,07
4	65364B94002Z	FRONT COVER BRACKET .L (GRAY HN) WITH BLACK STICKERS FOR BLACK BH VEHICLES OF 2007-2008	1	kr 281,66
5	65802BMAT000	SPRING NUT 4.8MM	8	kr 0,78
6	B05074801605	TAPPING SCREW 4.8×16MM	8	kr 0,78
7	B05074201305	TAPPING SCREW 4.2×13MM	4	kr 0,78



## F18 LEG SHIELD



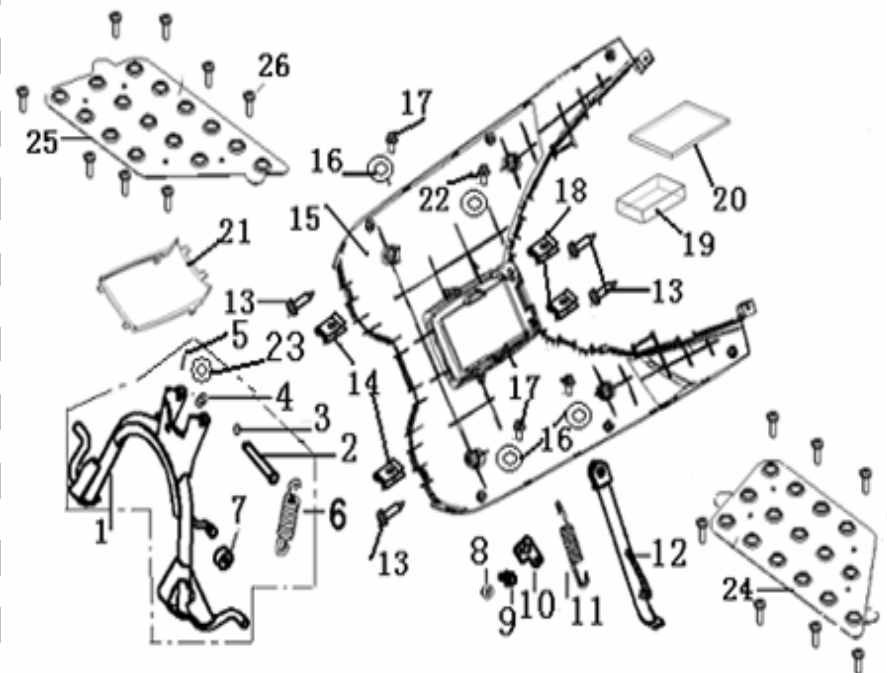
NO	CODE	DESCRIPTION	QTY	PRICE
1	65402BMMT000	LEG SHIELD, 2	1	kr 257,96
2	65408BMMTB40	UNDER COVER L (BLACK B4) WITH STICKERS, B4 OF 2006	1	kr 153,07
2	65408BMMTB40	UNDER COVER L (BLACK B4) WITH STICKERS, B4 OF 2006	1	kr 153,07
2	65408BMMTB40	UNDER COVER L (BLACK BA) WITH STICKERS, FOR BA OF 06	1	kr 153,07
2	65408BMMTBH0	UNDER COVER L (BLACK BH) WITH STICKERS, USED FOR ALL COLOR VEHICLE 2007- 2008	1	kr 153,07
2	65408BMMTB10	UNDER COVER L (BLACK B1) WITH STICKERS, USED FOR BLUE E4 VEHICLE 2006	1	kr 153,07
3	65409BMMTBH0	UNDER COVER R (BLACK BH) WITH STICKERS, FOR ALL COLOR VEHICLE 2007-2008	1	kr 153,07
3	65409BMMTB40	UNDER COVER R (BLACK B4) WITH STICKERS, USED FOR BLACK B4 VEHICLE 2006	1	kr 153,07
3	65409BMMTB40	UNDER COVER R (BLACK B4) WITH STICKERS, USED FOR BLACK B4 VEHICLE 2006	1	kr 153,07
3	65409BMMTB40	UNDER COVER R (BLACK BA) WITH STICKERS, USED FOR BLACK BA VEHICLE 2006	1	kr 153,07
3	65409BMMTB10	UNDER COVER R (BLACK B1) WITH STICKERS, FOR BLUE E4 VEHICLE 2006	1	kr 153,07
4	65801BMAT000	SPRING NUT 4MM	16	kr 0,78
5	B05074201605	TAPPING SCREW 4.2X16MM	16	kr 0,78
6	65406BMMT000	INNER FENDER	1	kr 94,41
7	51011BMBT000	HELMET POTHOOK	1	kr 1,94
8	B01090602565	BOLT 6X25MM	1	kr 1,17
9	65403BMMT000	INSPECT COVER	1	kr 1,94



## F19 FOOTREST/STAND



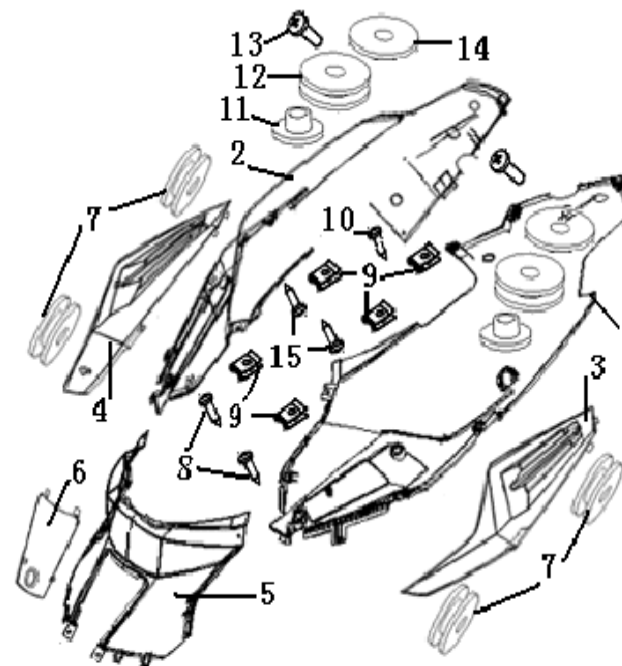
NO	CODE	DESCRIPTION	QTY	PRICE
1	58520BM0T002	MAIN STAND COMP.	1	kr 156,18
2	58590BM0T000	PIN	1	kr 26,03
3	B190101000A0	O-RING 10X1.8	1	kr 0,78
4	58508B0DT000	PLATE WASHER	1	kr 0,78
5	63016B0DT000	SPLIT PIN	1	kr 4,27
6	58510BM0T000	MAIN STAND SPRING ASSY.	1	kr 9,32
7	58507BM0T000	CUSHION, MAIN STAND	1	kr 5,05
8	B04070800064	NUT 8MM	1	kr 1,94
9	57005BMBT000	BOLT, SINGLE STAND	1	kr 22,53
10	57006BM0T000	HOOK SPRING	1	kr 5,44
11	57010BM0T000	SIDE STAND SPRING ASSY.	1	kr 10,49
12	58700BN0T000	SIDE STAND COMP.	1	kr 60,99
13	B05074801605	TAPPING SCREW 4.8X16MM	4	kr 0,78
14	65802BMAT000	SPRING NUT 4.8MM	2	kr 0,78
15	65401BMMT000	FLOOR, BLACK	1	kr 156,18
16	B07020000605	WASHER	4	kr 0,78
17	B01000604525	BOLT 6X45MM	2	kr 1,17
18	65802BM0T000	SPRING NUT 5MM	2	kr 6,22
19	65812BMBT000	BATTERY DAMPER 2	1	kr 27,20
20	65811BMBT000	BATTERY DAMPER 1	1	kr 12,43
21	65813BMMT000	BATTERY COVER	1	kr 13,60
22	B1020603365	BOLT 6X35MM	1	kr 1,17
23	B07030001005	WASHER 10MM	1	kr 0,78
24	65411BMMT000	FLOOR COVER L	1	kr 75,37
25	65412BMMT000	FLOOR COVER R	1	kr 75,37
26	B05004201305	SCREW 4,2*13MM	16	kr 0,78



## F20.1 SIDE COVER



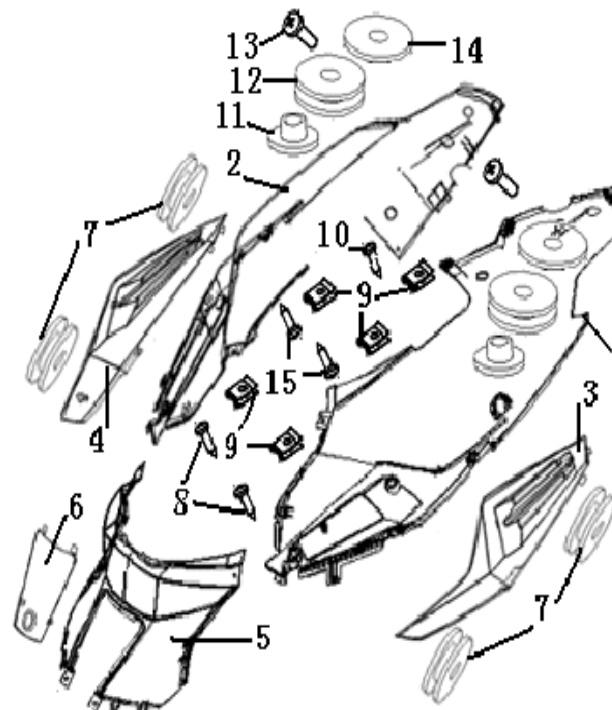
NO	CODE	DESCRIPTION	QTY	PRICE
1	65601BMMTB40	SIDE COVER..L. (BLACK B4) WITH STICKERS, FOR BLACK B4 VEHICLES OF 2006	1	kr 341,15
1	65601BMMTB10	SIDE COVER..L. (BLACK B1) WITH STICKERS, FOR BLUE E4 VEHICLES OF 2006	1	kr 341,15
1	65601BMMTB40	SIDE COVER..L. (BLACK B4) WITH STICKERS, FOR BLACK B4 VEHICLES OF 2006	1	kr 341,15
1	65601BMMTBH0	SIDE COVER..L. (BLACK/BH) WITH STICKERS, FOR BLACK BH VEHICLES OF 2007-2008	1	kr 341,15
1	65601B94002Z	SIDE COVER..L. (BLACK/BH) WITH STICKERS, FOR BLACK BH VEHICLES OF 2007-2008 WITH STICKERS	1	kr 366,03
2	65602BMMTB40	SIDE COVER..R. (BLACK B4) WITH STICKERS, FOR BLACK B4 VEHICLES OF 2006	1	kr 341,15
2	65602BMMTB10	SIDE COVER..R. (BLACK B1) WITH STICKERS, FOR BLUE E4 VEHICLES OF 2006	1	kr 341,15
2	65602BMMTB40	SIDE COVER..R. (BLACK B4)WITH STICKERS, FOR BLACK B4 VEHICLES OF 2006	1	kr 341,15



## F20.2 SIDE COVER



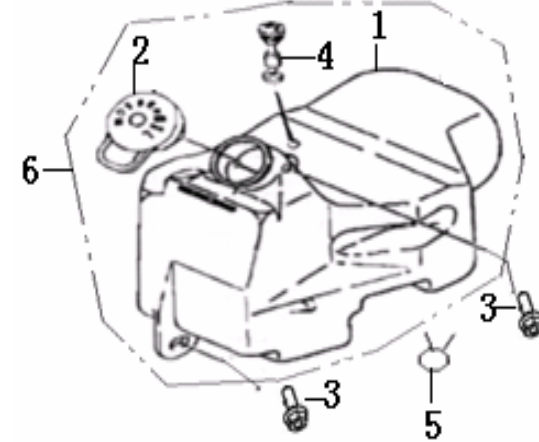
NO	CODE	DESCRIPTION	QTY	PRICE
2	65602BMMTBH0	SIDE COVER R (BLACK/BH) WITH STICKERS, FOR BLACK BH VEHICLES OF 2007-2008	1	kr 341,15
2	65602B94002Z	SIDE COVER R (BLACK/BH) WITH STICKERS, FOR BLACK BH VEHICLES OF 2007-2008	1	kr 366,03
3	65603BMMTC20	DOWN COVER .L.(SILVER C2) USED FOR BLUE E4 & BLACK B4 & BA VEHICLE OF 2006	1	kr 88,97
3	65603BMMTCE0	DOWN COVER .L.(SILVER/CE) ALL COLORS FROM 2007-2008	1	kr 88,97
4	65604BMMTCE0	DOWN COVER R (SILVER/CE) ALL COLORS 2007-2008	1	kr 88,97
4	65604BMMTC20	DOWN COVER R(SILVER C2) FOR BLUE E4 & BLACK B4 & BA VEHICLE OF 2006	1	kr 88,97
5	65605BMMT000	LUGGAGE BOX FR.. COVER	1	kr 177,93
6	65619BMMT000	LITTLE COVER	1	kr 52,84
7	65617J00P000	RUBBER WASHER	4	kr 1,17
8	B05074201605	TAPPING SCREW 4.2×16MM	2	kr 0,78
9	65605BMMT001	LUGGAGE BOX FR.. COVER	3,5	kr 0,78
10	65619BMMT001	LITTLE COVER	4,1	kr 0,78
11	65617J00P001	RUBBER WASHER	4,7	kr 1,17
12	B05074201605	TAPPING SCREW 4.2×16MM	5,3	kr 1,17
13	65605BMMT002	LUGGAGE BOX FR.. COVER	5,9	kr 1,17
14	65619BMMT002	LITTLE COVER	6,5	kr 1,17
15	65617J00P002	RUBBER WASHER	7,1	kr 1,17



## F21 OIL TANK



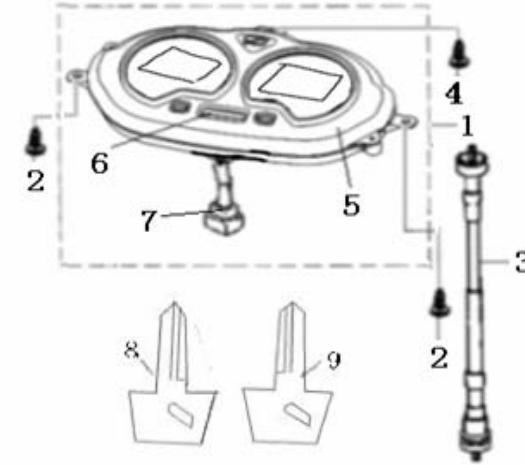
NO	CODE	DESCRIPTION	QTY	PRICE
1	64001BMAT000	OIL TANK	1	kr 122,38
2	64090BMAT000	OIL TANK CAP	1	kr 9,32
3	B01090601665	BOLT 6X16MM	2	kr 1,17
4	64100BMAT000	OIL LEVER GAUGE ASSY.	1	kr 70,71
5	50307BM0T000	CLIP Ø8	1	kr 1,17
6	64000BMAT000	OIL TANK ASSY.	1	kr 203,96



**F22 DIGITAL SPEEDOMETER ASSY.**



NO	CODE	DESCRIPTION	QTY	PRICE
1	70000BMBT017	DIGITAL SPEEDOMETER COMP.	1	kr 1.252,91
2	B05074001205	SCREW 4X12MM	2	kr 0,78
3	72900BMBT000	SPEEDOMETER CABLE COMP.	1	kr 40,40
4	B05074001005	SCREW 4X10	1	kr 0,78
5	70003BMBT002	SPEEDOMETER COVER	1	kr 59,05
6	76000BMBT000	DIGITAL WATCH	1	kr 233,10
7	75000BMBT007	SPEEDOMETER WIRE ASSY	1	kr 145,69
8	88900B92000X	KEY NUT LEFT	1	kr 19,43
9	88900B92001X	KEY NUT RIGHT	1	kr 19,43

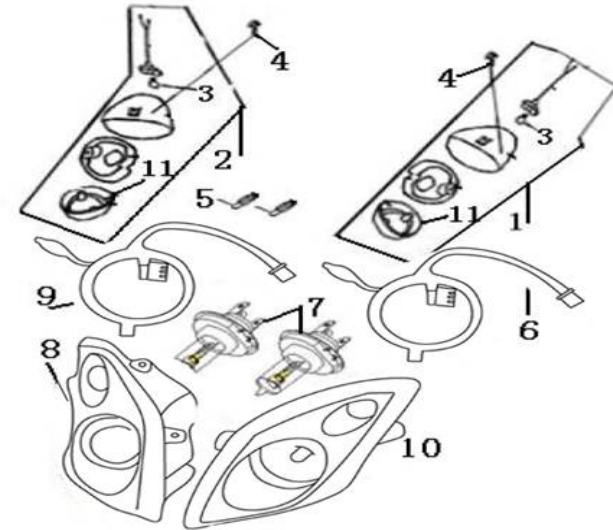




**F23 FLASHER LIGHT/HEAD LIGHT.**



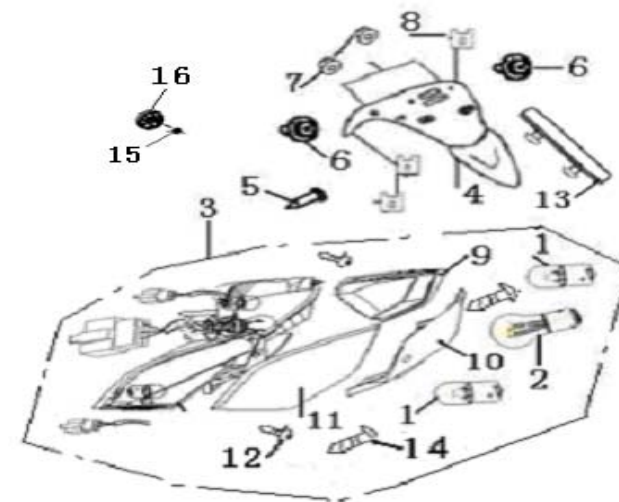
NO	CODE	DESCRIPTION	QTY	PRICE
1	81100BMMT001	LEFT FLASHER LIGHT ASSY	1	kr 159,67
2	81300BMMT001	RIGHT FLASHER LIGHT ASSY	1	kr 159,67
3	T120306	BULB, 12V/10W (GB15766.1-2000(R10W))	2	kr 7,00
4	B13060501405	SCREW 5X14MM	1	kr 0,78
5	T1203013	BULB, 12V/5W	2	kr 9,00
6	80009BMMT001	FAR HEADLIGHT WIRE ASSY	1	kr 10,49
7	T12031263648	BULB (12V35/35W)	2	kr 48,00
8	80300BMMT000	NEAR HEAD LIGHT ASSY	1	kr 262,24
9	80009BMMT000	NEAR HEAD LIGHT WIRE ASSY	1	kr 10,49
10	80200BMMT000	FAR HEAD LIGHT ASSY	1	kr 262,24
11	81102BMMT001	FLASHER LIGHT COVER	2	kr 20,98



## F24 TAIL LIGHT



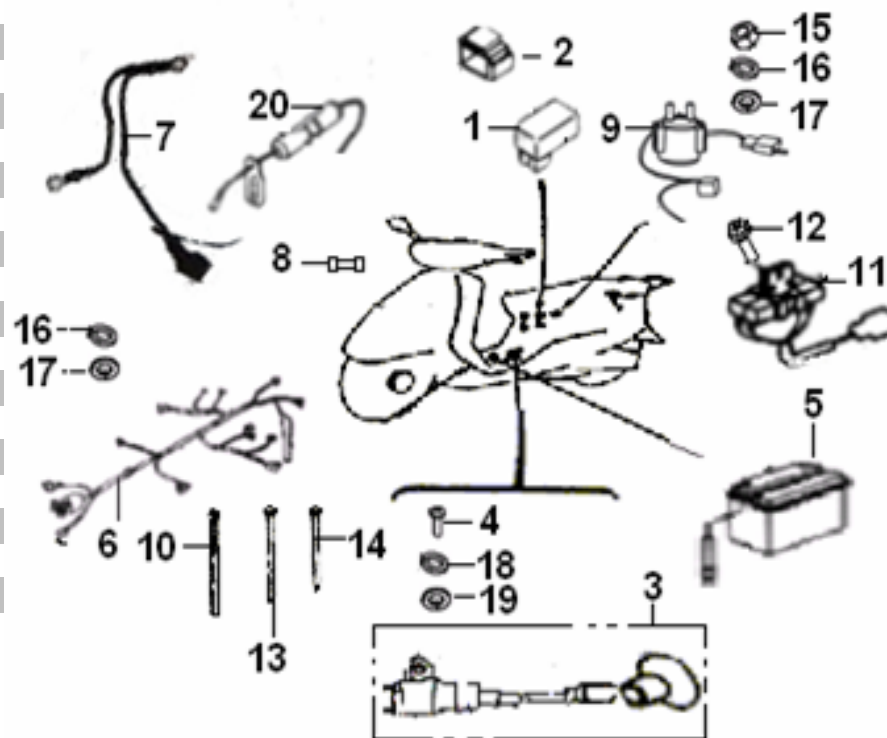
NO	CODE	DESCRIPTION	QTY	PRICE
1	T120306	BULB 12V/10W	2	kr 7,00
2	T1203083	BULB 12V/ 21/5W	2	kr 12,00
3	82000BMMT000	TAIL LIGHT ASSY.	1	kr 254,86
4	08202BMMT000	LICENSE BRACKET	1	kr 66,05
5	B05074201605	TAPPING SCREW 2*16	2	kr 0,78
6	B13060601605	SCREW6*16 MM	2	kr 1,17
7	B04070600065	NUT 6MM	2	kr 0,78
8	65801BMAT000	SPRING NUT 4MM	3	kr 0,78
9	81703BMMT000	RIGHT FLASHER LIGHT COVER	1	kr 55,17
10	82008BMMT000	INDICATOR LENS	1	kr 47,79
11	81503BMMT000	LEFT FLASHER LIGHT COVER	1	kr 55,17
12	08011BN0T000	SCREW 3X 8 MM	2	kr 0,78
13	86500BN0T000	REAR REFLECTOR	1	kr 33,41
14	08009BMMT000	SCREW 5*20 MM	2	kr 0,78



## F25 ELECTRICAL EQUIPMENT I



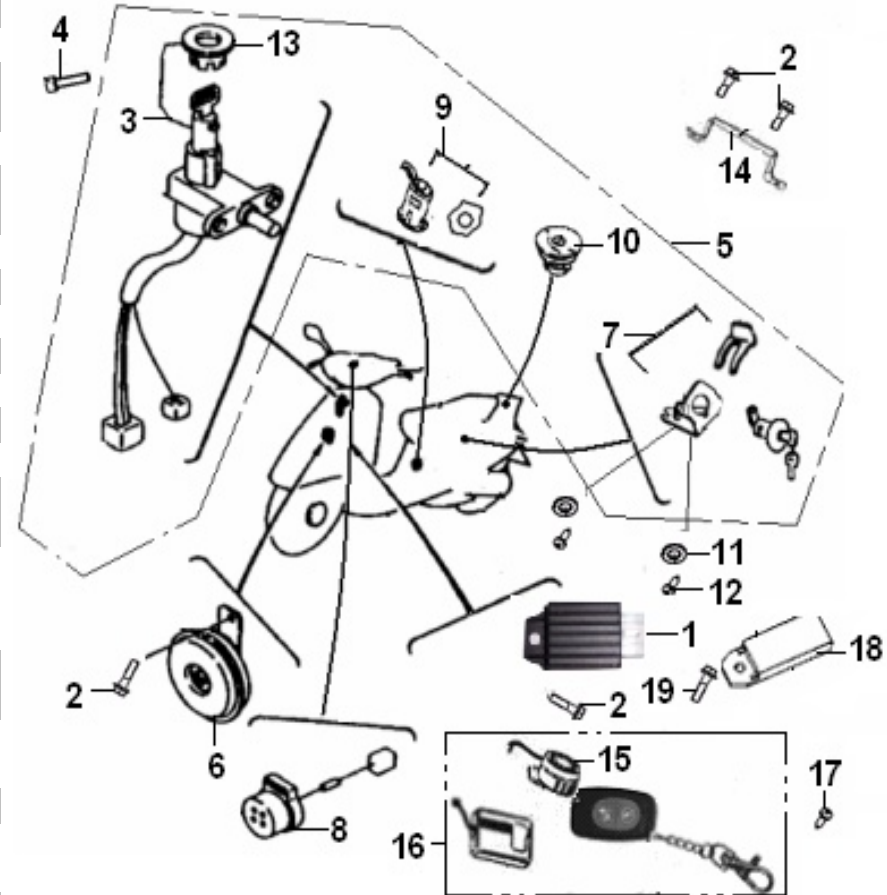
NO	CODE	DESCRIPTION	QTY	PRICE
1	97701BM0T001	C.D.I. UNIT COMP.	1	kr 97,13
2	96007BM0T000	CUSHION. C.D.I	1	kr 9,32
3	96200BN0T000	IGNITION COIL ASSY	1	kr 122,38
4	B02000502025	SCREW 5X20MM	1	kr 1,17
5	T1202YTX5	BATTERY YTX5L-BS 12V,4AH	1	kr 497,00
6	92000BMMT006	WIRE HARNESS ASSY	1	kr 308,86
7	96900BMBT000	WIRE HARNESS	1	kr 16,32
8	96810BMAT000	FUSE 8A,250V	1	kr 16,32
9	94000BMBT000	STARTER RELAY COMP.	1	kr 144,13
10	96001K00P000	BAND 8X250	3	kr 9,32
11	96600BMAT000	RESISTOR COMP.	1	kr 41,57
12	B01090601265	BOLT 6X12MM	2	kr 1,17
13	96003K00P000	BAND 8X200	3	kr 0,78
14	96002K00P000	BAND 8X150	1	kr 3,89
15	B04000600055	NUT 6MM	1	kr 1,17
16	B07000000605	SPRING WASHER 6MM	2	kr 0,78
17	B07030000605	WASHER 6MM	2	kr 0,78
18	B07000000505	SPRING WASHER 5MM	1	kr 0,78
19	B07030000505	WASHER 5MM	1	kr 0,78
20	96800BMAT000	FUSE COMP	1	kr 11,27



## F26 ELECTRICAL EQUIPMENT II



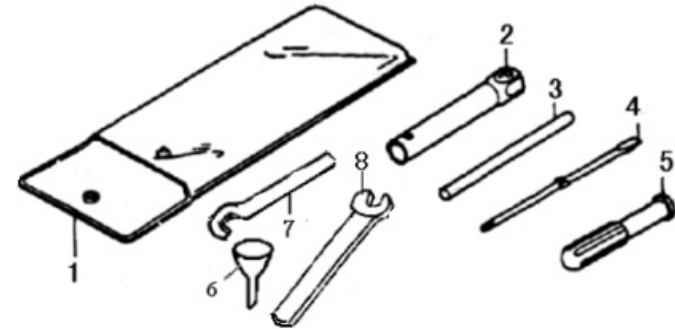
NO	CODE	DESCRIPTION	QTY	PRICE
1	98801J0ET000	REGULATOR COMP.	1	kr 134,81
2	B01090601265	BOLT 6X12MM	4	kr 1,17
3	88100BMBT000	MAIN SWITCH ASSY (WITH WATERPROOF SOCKET)	1	kr 236,21
4	08002BMBT000	BOLT M6X12	2	kr 0,78
5	88000BMMT00A	LOCK ASSY. (WITH WATERPROOF SOCKET)	1	kr 468,53
6	95000BMDT000	HORN	1	kr 98,29
7	88800BMBT000	LOCK ASSY., SEAT	1	kr 96,35
8	96500BM0T00B	FLASH RELAY.	1	kr 76,53
9	88500BMBT000	LOCK, COVER	1	kr 55,94
10	88400BMMT000	LOCK ASSY., FUEL TANK	1	kr 191,53
11	B07030000505	WASHER 5MM	2	kr 0,78
12	B05074001005	TAPPING SCREW 4X10MM	2	kr 0,78
13	88101BMBT000	COVER MAIN SWITCH, FOR VEHICLES WITH ALARM	1	kr 5,05
14	95701JCCT000	BAKT. ALARM SYSTEM, VEHICLES WITH ALARM SYSTEM	1	kr 11,27
15	95730BMBT002	ALARM SYSTEM HORN, FOR VEHICLES WITH ALARM	1	kr 45,45
16	95700BMBT002	ALARM ASSY, FOR VEHICLES WITH ALARM SYSTEM	1	kr 522,11
17	B05074801305	TAPPING SCREW 4.8X13MM	1	kr 0,78
18	97900B410000	TEMPERATURE CONTROL, FOR VEHICLES WITH ALARM	1	kr 271,17
19	B01090601265	BOLT 6x12MM	1	kr 1,17



## F27 TOOL KIT



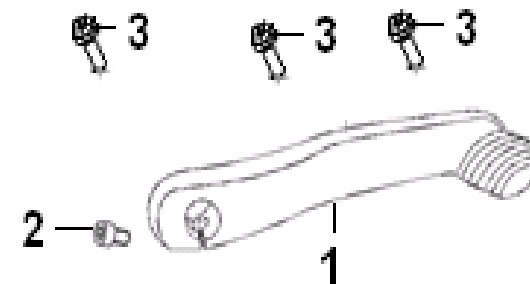
NO	CODE	DESCRIPTION	QTY	PRICE
1	02110BM0T000	TOOL BAG	1	kr 6,99
2	02102BM0T000	SPARK PLUG SOCKET	1	kr 9,32
3	02101BM0T000	SPARK PLUG SOCKET HANDLE	1	kr 11,66
4	02103BM0T000	SCREW DRIVER	1	kr 17,87
5	02104BM0T000	HANDLE	1	kr 8,16
6	02114BM0T000	FILTER, OIL TANK	1	kr 12,43
7	02115BM0T000	REAR. ABSORBER ADJUSTER	1	kr 7,38
8	02117BMBT000	WRENCH 35	1	kr 16,32



## F28 ENGINE ATTACHMENT



NO	CODE	DESCRIPTION	QTY	PRICE
1	08351BM0TC10	STARTING SHAFT ( <b>SILVER</b> )	1	kr 109,56
1	08351BM0THU0	STARTING SHAFT ( <b>GRAY</b> ) FOR 2008 SEASON	1	kr 109,56
2	B02050602565	SCREW 6X25MM	1	kr 1,17
3	B01070602564	BOLT 6X25MM	3	kr 1,17



## F29.1 STICKER (FOR BLACK BH VEHICLE)



NO	CODE	DESCRIPTION	QTY	PRICE
1	05524BMMTBHA	STICKER,HANDLE COVER	1	kr 9,32
2	05525BMMTBHA	STICKER,HANDLE COVER	1	kr 8,16
3	05521BMMTBHA	STICKER FRONT COVER,1	1	kr 11,27
4	05522BMMTBHA	STICKER FRONT COVER,2	1	kr 11,66
5	05523BMMTBHA	STICKER FRONT COVER,3	1	kr 12,43
6	05535BMMTBHA	STICKER SIDE COVER,RH,1	1	kr 9,32
7	05532BMMTBHA	STICKER SIDE COVER,LH,1	1	kr 9,32
8	05528BMMTBHA	STICKER FRONT COVER BRACKET RH,1	1	kr 10,49
9	05529BMMTBHA	STICKER FRONT COVER BRACKET LH,1	1	kr 9,32
10	05536BMMTBHA	STICKER SIDE COVER,RH,2	1	kr 7,38
11	05533BMMTBHA	STICKER SIDE COVER,LH,2	1	kr 7,38
12	05526BMMTBHA	STICKER FRONT COVER BRACKET RH,2	1	kr 10,49
13	05527BMMTBHA	STICKER FRONT COVER BRACKET LH,2	1	kr 11,27
14	05531BMMTBHA	STICKER UNDER COVER,RH	1	kr 15,54
15	05530BMMTBHA	STICKER UNDER COVER,LH	1	kr 15,54
16	05534BMMTBHA	TYPE STICKER,PROTECT PLATE	1	kr 13,60



## F29.2 STICKER (FOR MATRIX 2006)



NO	CODE	DESCRIPTION	QTY	PRICE
1	05521BMMT001	STICKER FRONT COVER LH, USED FOR BLUE E4 OF 2006	1	kr 13,60
2	05522BMMT001	STICKER FRONT COVER RH, USED FOR BLUE E4 OF 2006	1	kr 13,60
3	05521BMMT000	STICKER FRONT COVER LH, USED FOR BLACK BA,B4 OF 2006	1	kr 13,60
4	05522BMMT000	STICKER FRONT COVER RH, USED FOR BLACK BA,B4 OF 2006	1	kr 13,60
5	05528J4AT006	STICKER UNDER COVER, USED FOR BLUE E4 AND BLACK BA,B4 FOR 2006	2	kr 11,66
6	05511BMMT000	STICKER UNDER COVER LH, USED FOR BLUE E4 AND BLACK BA,B4 FOR 2006	1	kr 19,43
7	05512BMMT000	STICKER UNDER COVER RH, USED FOR BLUE E4 AND BLACK BA,B4 FOR 2006	1	kr 19,43

