



Spare Parts Catalog

Focus (BMTM) Euro-2



Focus (25 KM-1C)
Focus (30 KM-1C)
Focus (45 KM-1C)

2006-3

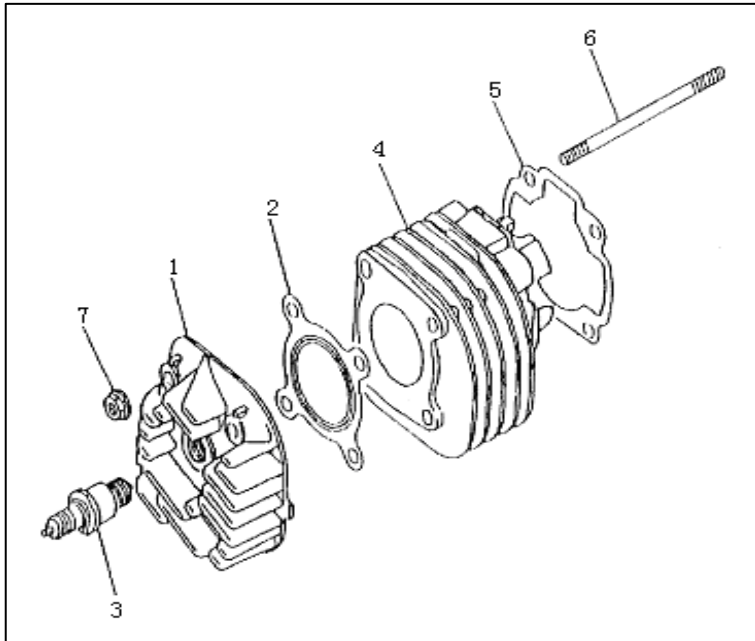
WWW.KEEWAY.DK

CARL ANDERSEN MOTORCYKLER A/S
Niels Bohrs Vej 15, Stilling
Postboks 680
DK-8660 Skanderborg

Telefon. 8694 6177
Telefax. 8694 4447
www.ca-mc.dk
email: ordre@ca-mc.dk

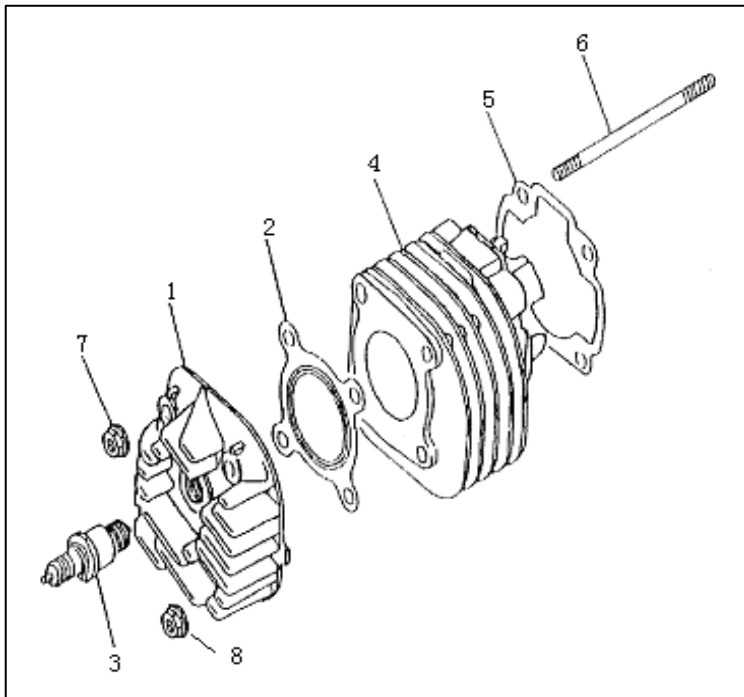
E01 CYLINDER HEAD ASSY(45KM) New EURO-2

2006-3



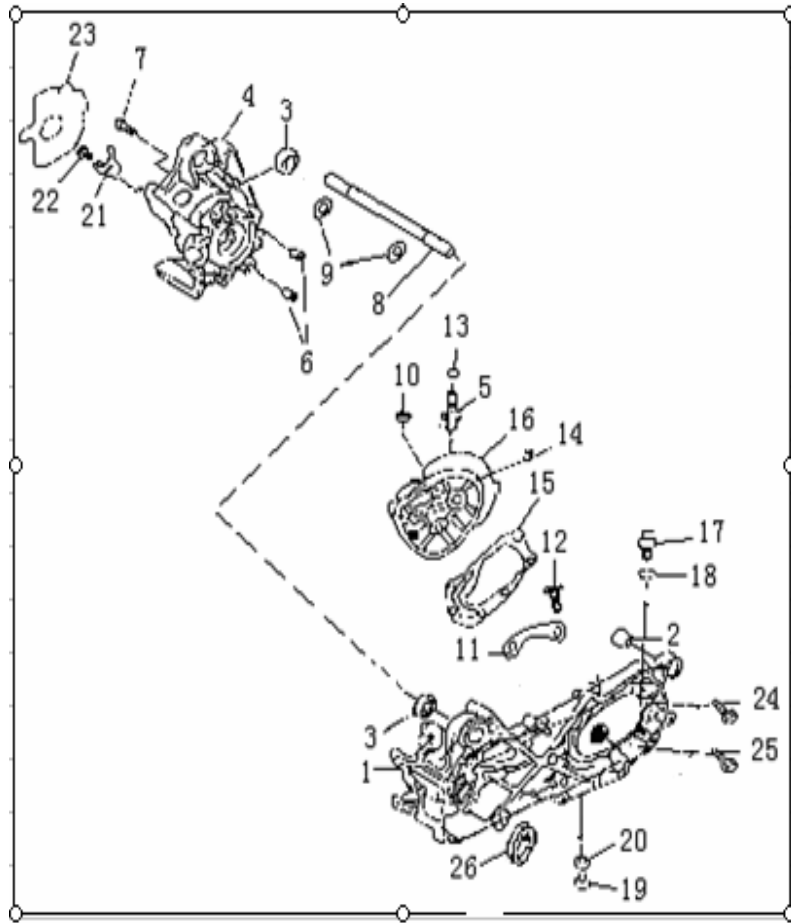
NO.	PART NO.	DESCRIPTION	QTY	Remarks
1	201200.066000	HEAD , CYLINDER	1	NEW EURO-2
2	30507B01F000	GASKET , CYLINDER HEAD	1	
3	201204.015000	SPARK PLUG (BR7ES)	1	NEW EURO-2
4	204200.041000	CYLINDER, EURO-2	1	
5	204204.001000	GASKET , CYLINDER	1	Non asbestos
6	26107B01F910	STUD BOLT	4	
7	304290700063	NUT M7	4	

E01 CYLINDER HEAD ASSY(30KM,25KM)



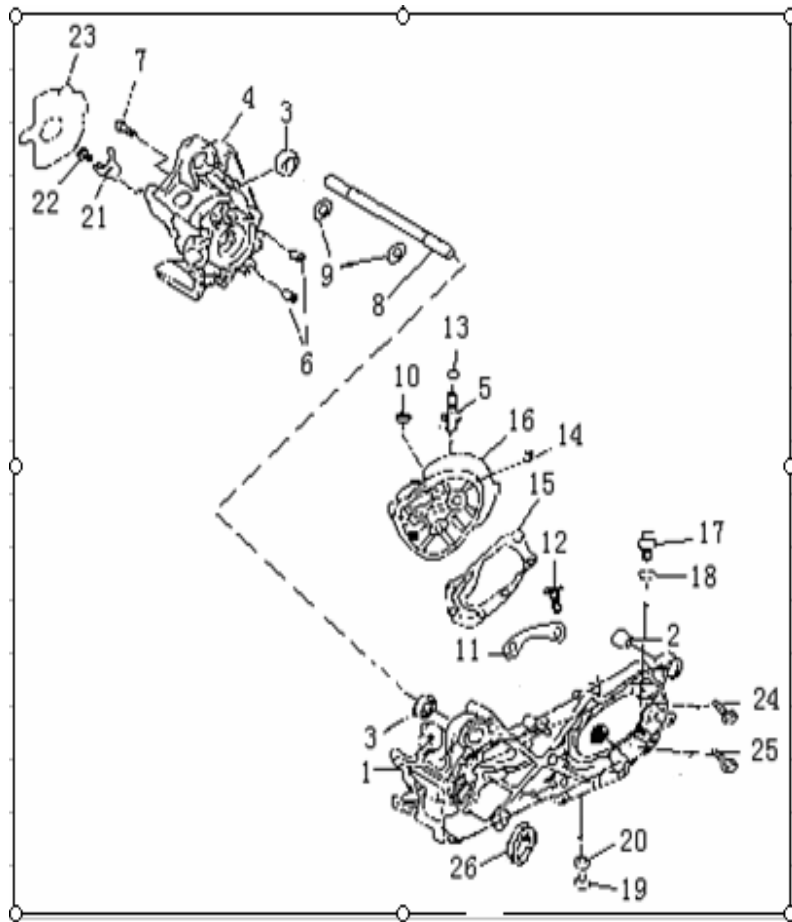
NO.	PART NO.	DESCRIPTION	QTY	Remarks
1	201200.066000	HEAD , CYLINDER	1	NEW EURO-2
2	30507B01F000	GASKET , CYLINDER HEAD	1	
3	201204.015000	SPARK PLUG	1	BR7ES
4	204200.041000	CYLINDER (BR7ES)	1	
5	204204.001000	GASKET , CYLINDER	1	Non asbestos
6	26107B01F910	STUD BOLT	4	
7	304290700063	NUT M7	3	
8	201334.001000	NUT, BREAK BOLT	1	with speed limit

E02 CRANKCASE ASSY



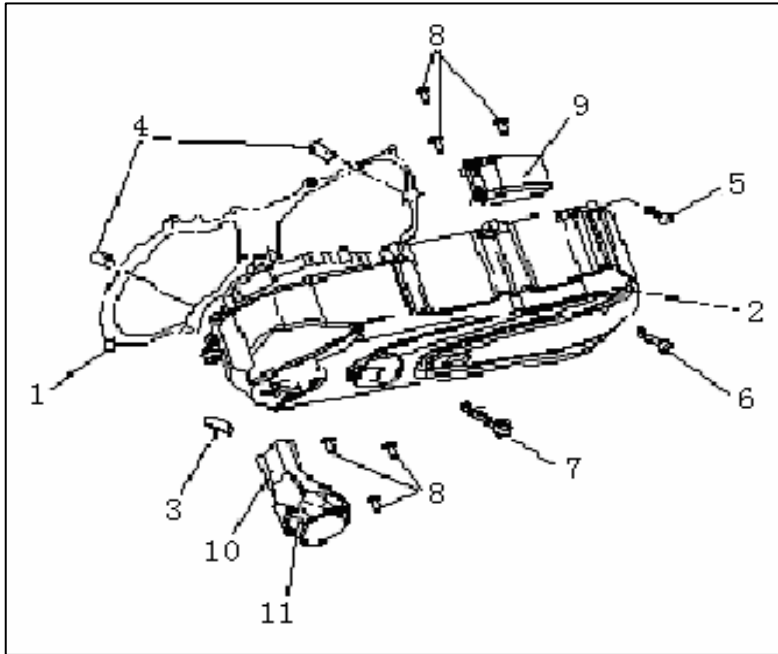
NO.	PART NO.	DESCRIPTION	QTY	Remarks
1	206200.057000	CRANKCASE, LH	1	
2	26108G02F000	BUSH, ENGINE MOUNTING	1	
3	B12016600300	BEARING 6003-2RS	2	
4	26211B09F001	CRANKCASE, RH	1	
5	26142G02F000	BRAKE SHOE	1	
6	26123G02F000	DOWEL PIN 12*16	2	
7	301310603565	PAN HEAD SCREW M6*35	6	chromeplate
8	26109B09F000	AXLE, engine mount	1	
9	B08010001700	CIRCLIP 17	2	
10	B04070812553	NUT M8	1	
11	26214B09F000	BEARING HOLDER	1	
12	B02000601262	PAN HEAD SCREW M6*12	2	
13	14222J01F000	O-RING	1	
14	26123G02F000	DOWEL PIN 12*16	2	
15	214201.004000	MISSION CASE GASKET	1	Non asbestos
16	18101B09F000	COVER, GEAR BOX	1	
17	206407.004081	OIL PLUG	1	black color
18	26102G02F000	O RING	1	
19	301310801605	FLANGE BOLT	1	chromeplate
20	18105H03F000	PLATE WASHER 8	1	

E02 CRANKCASE ASSY



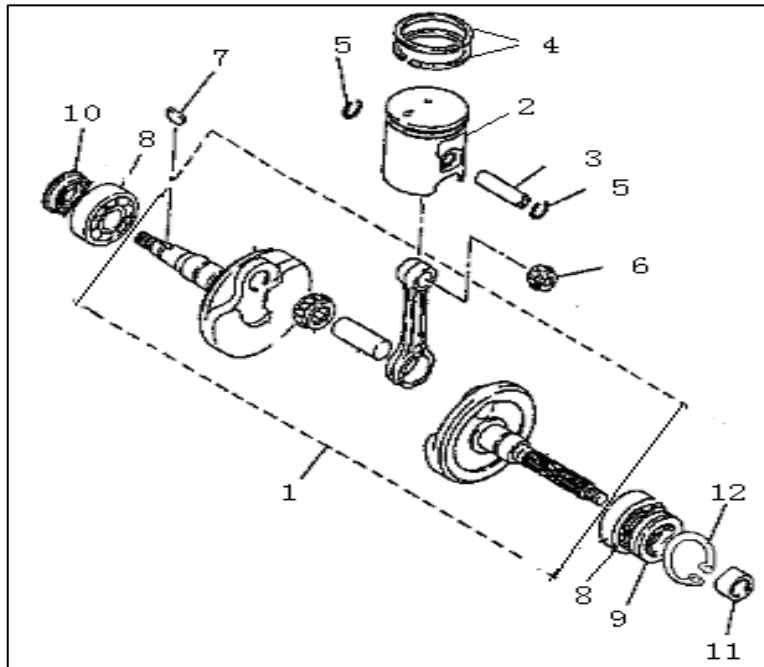
NO.	PART NO.	DESCRIPTION	QTY	Remarks
21	26214G02F910	OIL SEAL HOLDER	1	
22	301310601263	PAN HEAD SCREW M6*12	1	colored zinc
23	206321.001000	GASKET	1	Non asbestos
24	301310805565	SCREW M8X55	2	
25	301310805065	SCREW M8X50	5	
26	207234.001000	BUSH	1	

E03 SIDECOVER ASSY



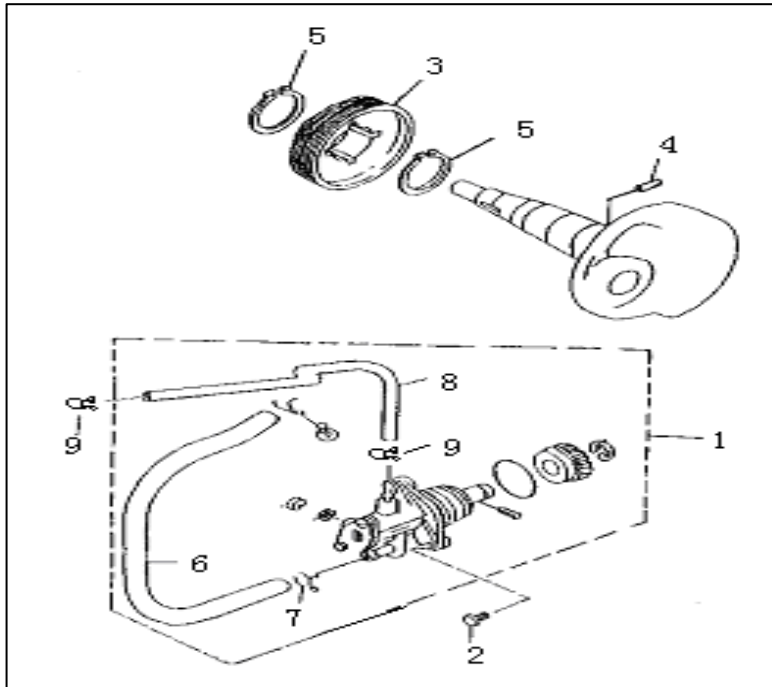
NO.	PART NO.	DESCRIPTION	QTY	Remarks
1	207208.017000	GASKET,L CRANKCASE	1	Non asbestos
2	207200.120082	L CRANKCASE COVER	1	KEEWAY
3	26128G02F000	IDLE GEAR	1	
4	26208J01F000	DOWEL PIN 10*14	2	
5	301310602565	PAN HEAD SCREW M6X25	8	chromeplate
6	301310603565	PAN HEAD SCREW M6X35	1	chromeplate
7	301310606565	PAN HEAD SCREW M6X65	1	chromeplate
8	3052035014F5	SCREW ST3.5X14	6	chromeplate
9	14149B09F000	AIR DUCT-OUTLET	1	
10	14148B09F000	AIR DUCT-INLET	1	
11	14150B09F000	FILTER ASSY	1	

E04 PISTON CRANKSHAFT CONNECTING ROD ASSY



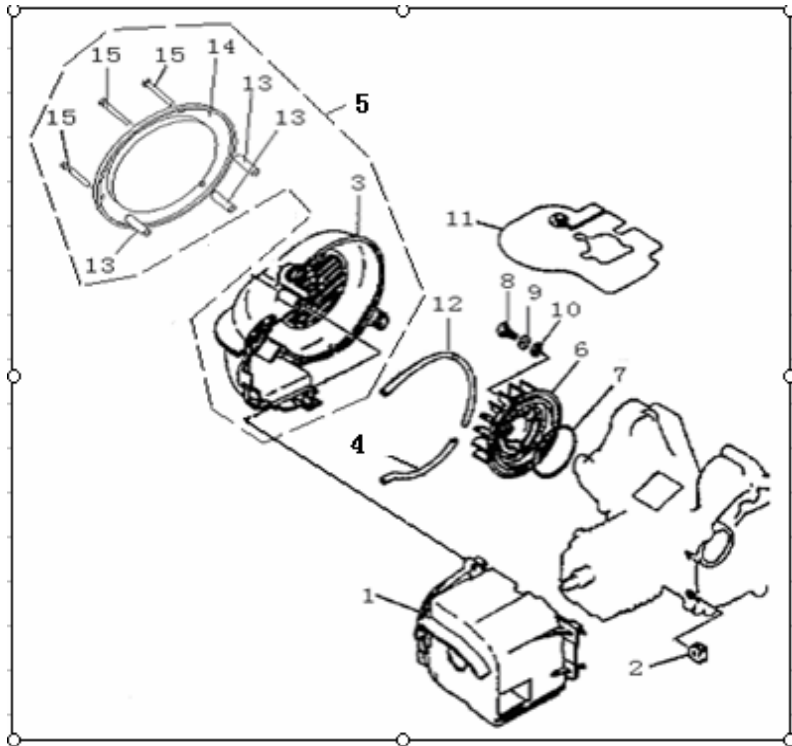
NO.	PART NO.	DESCRIPTION	QTY	Remarks
1	208100.022000	CRANKSHAFT , ASSY	1	
2	15100B09F000	PISTON	1	EU II
3	15105B16F000	PISTON PIN	1	
4	15103B09F000	PISTON RING	2	AVL
5	15111G02F000	CIRCLIP	2	
6	15110B16F000	NEEDLE BEARING	1	
7	15101B01F000	WOODRUFF KEY 3*5*13	1	
8	B12016620453	BEARING 6204/P53	2	TPI
9	15213G02F000	OIL SEAL 20*42*8	1	
10	26215G02F000	OIL SEAL ASSY 20*30*6	1	
11	15214G02F000	COLLAR	1	
12	17308G02F000	CIRCLIP	1	

E05 OIL PUMP ASSY



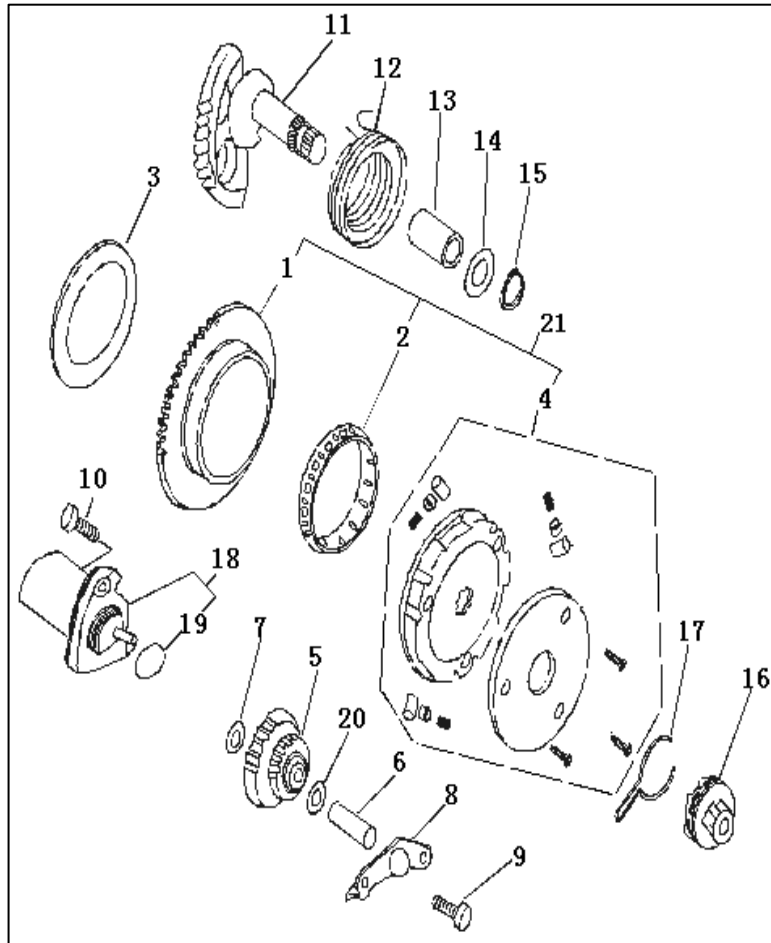
NO.	PART NO.	DESCRIPTION	QTY	Remarks
1	219101.008000	OIL PUMP ASSY	1	with 502 mark
2	B02000501463	SCREW M5*14	2	
3	15211G02F000	PUMP DRIVE GEAR	1	
4	B090103014C0	PIN C3*14	1	
5	15106G02F910	CIRCLIP 19	2	
6	221405.100000	HOSE,OIL INLET	1	
7	19213G02F00A	HOSE CLIP	2	chromeplate
8	221405.101000	HOSE,OIL OUTLET	1	
9	19217G02F00A	HOSE CLIP	2	chromeplate

E06 AIR COOLING SYSTEM



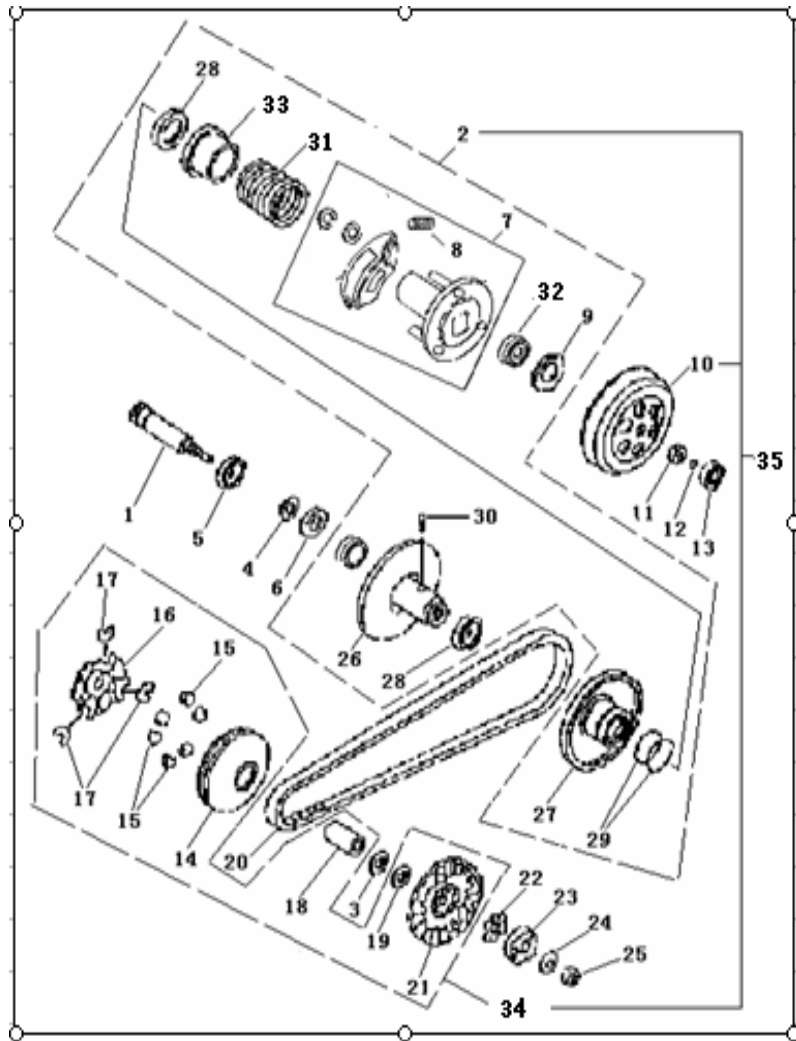
NO.	PART NO.	DESCRIPTION	QTY	Remarks
1	20301B01F000	COWLING,cylinder	1	
2	20303G02F000	GROMMET	2	
3	20201B09F000	COELING,fan	1	AVL
4	20208G02F000	MOLD,cowling	1	110
5	222103.014000	COELING ASSY,fan	1	with dusty proof cover with keeway
6	20401B01F000	FAN ASSY	1	
7	20402G02F000	RUBBER RING 70*3.1	1	
8	B02000601663	SCREW M6*16	3	
9	B07000000600	SPRING WASHER Ø6	3	
10	B07030000600	WASHER Ø6	3	
11	20102G02F000	PLATE	1	
12	20206G02F000	MOLD,cowling	1	220
13	20208B09F000	COLLOR	3	
14	222304.101000	COVER	1	keeway logo
15	B02000403524	SCREW M4*35	3	chromeplate

E07 KICK STARTER ASSY



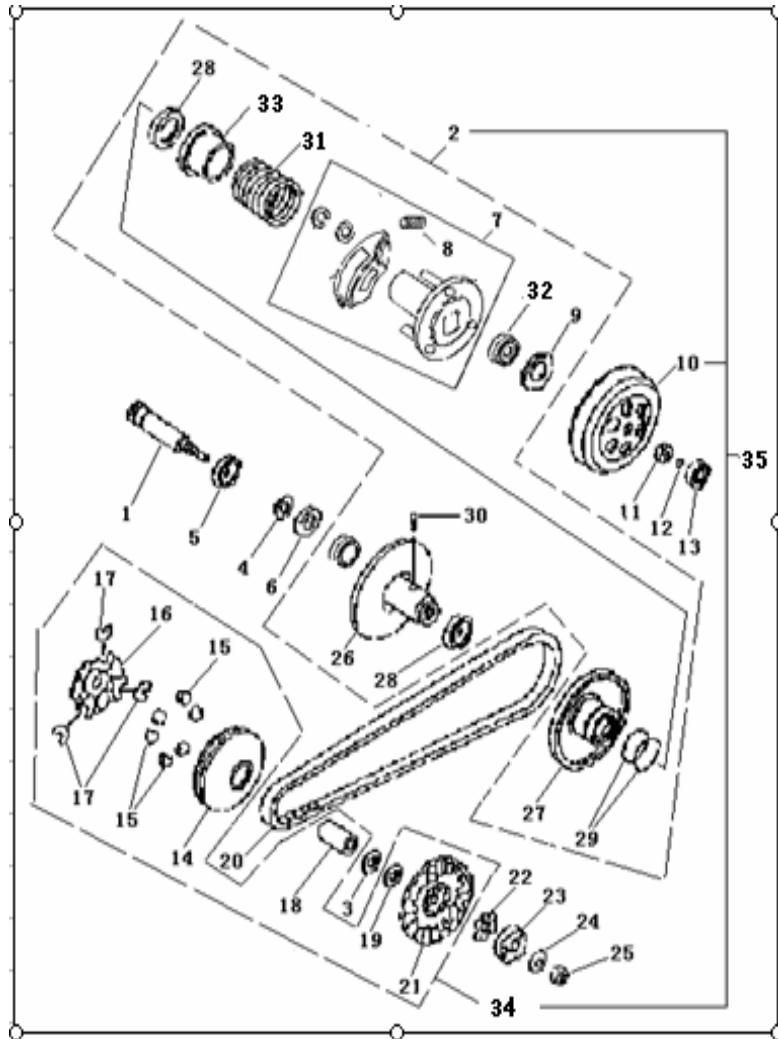
NO.	PART NO.	DESCRIPTION	QTY	Remarks
1	34120G02F000	START GEAR ASSY	1	
2	34121G02F000	NEEDLE BEARING 26400	1	
3	34123G02F000	THRUST WASHER	1	
4	34110G02F00A	START HOLDER ASSY	1	
5	34126G02F000	DRIVEN GEAR,STARTER	1	
6	26128G02F000	IDLE GEAR SHAFT	1	
7	34122G02F000	PLATE WASHER 8	1	
8	34125G02F000	IDLE GEAR HOLDER	1	
9	B02000601063	SCREW M6*10	2	
10	302040602065	SCREW M6*20	2	
11	216100.003000	SHAFT, kick starter	1	
12	17407G02F000	SPRING	1	
13	216217.004000	BUSH	1	
14	307991005552	WASHER ,kick starter	1	
15	308090150003	CIRCLIP 15	1	colored zinc
16	17415G02F000	KICK PINION ASSY	1	
17	17418G02F930	CLIP	1	
18	218100.017472	STARTING MOTOR ASSY	1	colored zinc
19	B190102120B0	O-RING 20*2.4	1	
20	34130G02F000	PLATE WASHER 8	1	
21	217100.100000	START CLUTCH ASSY	1	

E08 CLUTCH ASSY



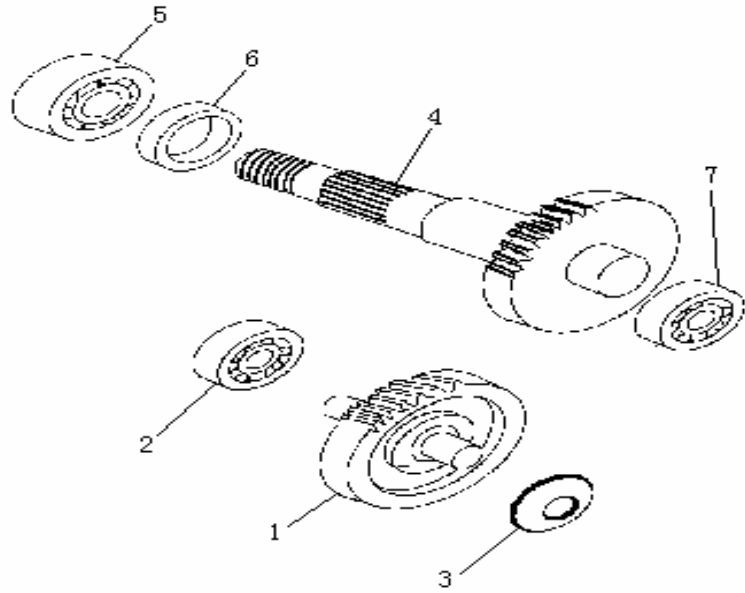
NO.	PART NO.	DESCRIPTION	QTY	Remarks
1	24201B09F000	PRIMARY DRIVE SHAFT	1	
2	24200B01F000	DRIVEN PULLEY and CLUTCH ASSY	1	
3	24106B09F00F	WASHER(45KM)	1	width 3.2 EU II 45
3	24106B09F00J	WASHER(30KM)	1	width 4.
3	24106B09F00E	WASHER(25KM)	1	width 8.2 EU II25
4	B08010001700	CIRCLIP	1	
5	B12016620300	BEARING 6203	1	
6	24203B09F000	OIL SEAL 17*35*7	1	
7	24301B01F000	CLUTCH ASSY,shoe	1	
8	24302B01F000	SPRING	3	
9	24303G02F000	NUT M28*1	1	
10	24700G02F000	HOUSING	1	
11	24305G02F940	NUT M10*1	1	
12	24243G02F000	O-RING 6.7*3	1	
13	24209G02F000	BEARING 638Z	1	
14	24101B09F000	FACE,movable drive	1	
15	213119.005000	ROLLER(6 pieces)	1 set c/6	6.3g
16	24103G02F000	PLATE,movable drive	1	
17	24104G02F000	DAMPER	3	
18	24105G02F000	COLLER	1	
19	24106B01F000	WASHER	1	
20	24107B01F000	V BELT , DRIVE	1	

E08 CLUTCH ASSY



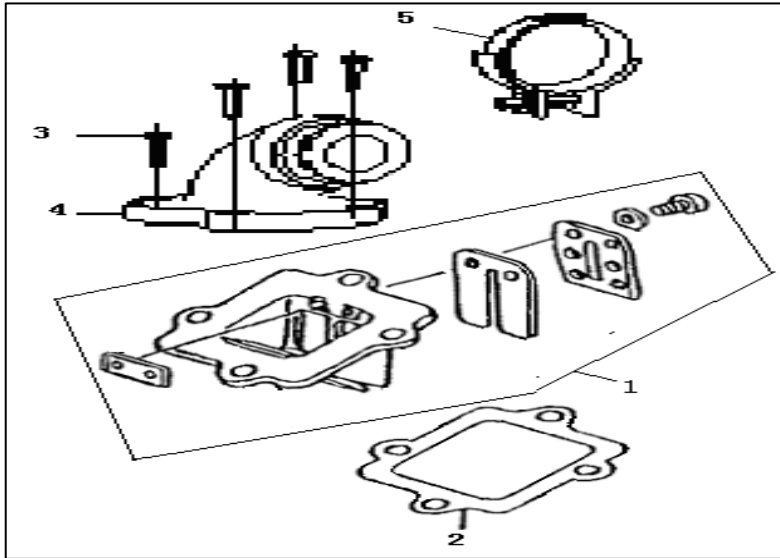
NO.	PART NO.	DESCRIPTION	QTY	Remarks
21	24108B09F000	FACE , FIXED DRIVE	1	
22	24109G02F000	PLATE , WOODRUFF KEY	1	
23	213203.001161	STARTING DISC	1	
24	15112G02F010	WASHER , SPRING	1	
25	B04031212553	NUT M12*1.25	1	
26	24204G02F000	FACE , FIXED DRIVEN	1	
27	24205G02F000	FACE , MOVEABLE DRIVEN	1	
28	24206G02F000	OIL SEAL 33*39	1	
29	24207G02F000	O-RING 1.7*38.7	2	
30	24208G02F000	PIN , GUIDE	2	
31	24308B01F000	SPRING	1	
32	24245G02F000	BEARING	1	
33	24309G02F930	SEAT , SPRING	1	
34	24100B09F000	DRIVE ASSY	1	
35	213100.022000	SHIFT ASSY	1	6.3g

E9 TRANSMISSION SYSTEM ASSY



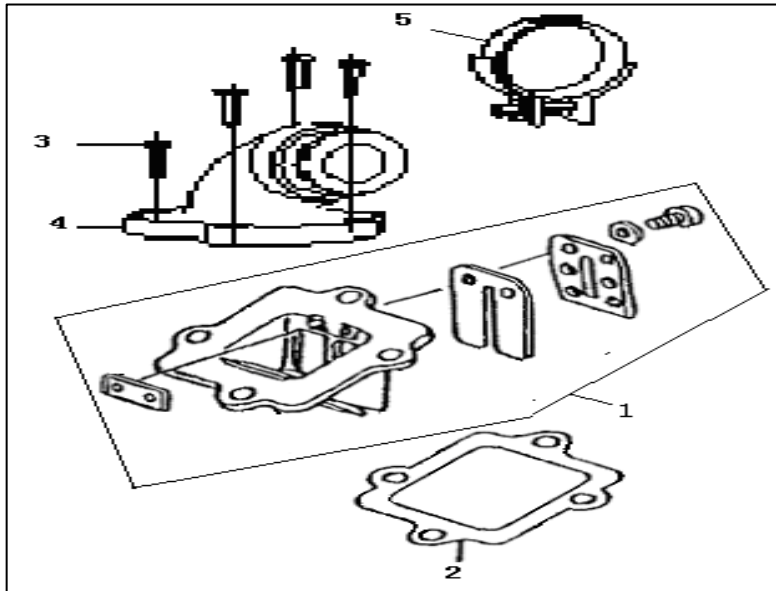
NO.	PART NO.	DESCRIPTION	QTY	Remarks
1	17800B09F000	SHAFT , IDLE	1	
2	B12016620000	BEARING 6200	1	
3	17732J01F000	WASHER , thrust Ø14	1	
4	17300B09F000	SHAFT , REAR BOX	1	
5	B12016600400	NEEDLE BEARING 6004-2RS	1	
6	17317B09F000	OIL SEAL 25*44*7	1	
7	B12016620200	NEEDLE BEARING 6202	1	

E10 REED VALVE ASSY(45KM)



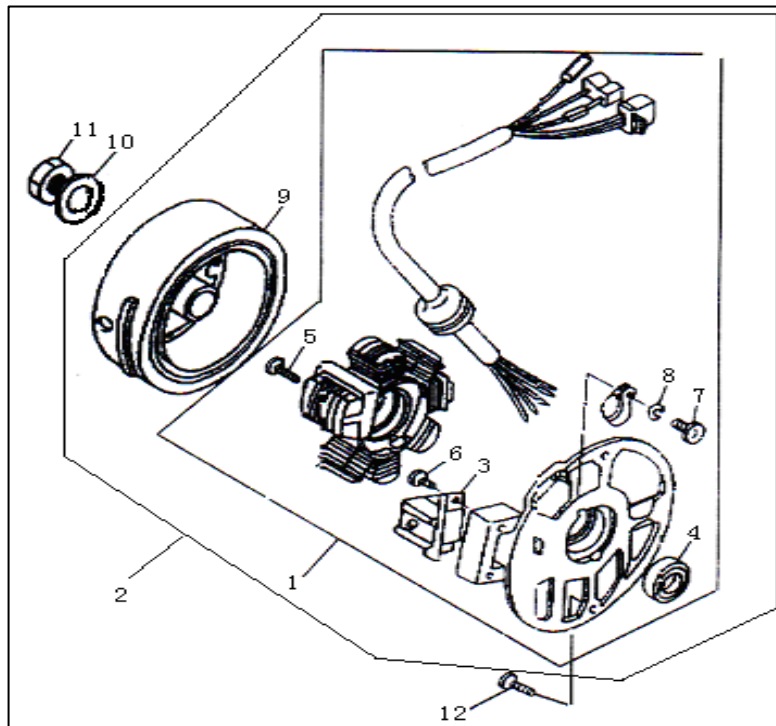
NO.	PART NO.	DESCRIPTION	QTY	Remarks
1	32300G02F000	REED VALVE ASSY	1	double valve, normal
2	202306.002000	VALVE SEAT GASKET	1	Non asbestos
3	302040602065	SCREW M6*20	3	chromeplate
4	32200G02F000	PIPE, intake	1	
5	202104.006472	CLIP	1	
6	206412.001472	SCREW	1	chromeplate

E10 REED VALVE ASSY(30KM,25KM)



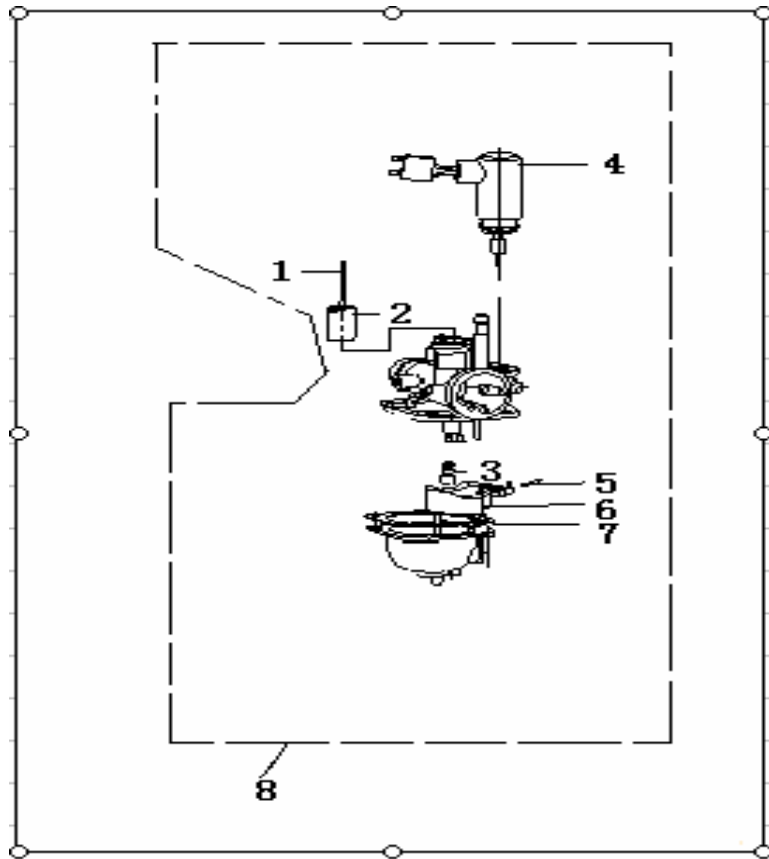
NO.	PART NO.	DESCRIPTION	QTY	Remarks
1	32300G02F000	REED VALVE ASSY	1	double valve, normal
2	202306.002000	VALVE SEAT GASKET	1	Non asbestos
3	302040602065	SCREW	4	
4	32200G02F000	PIPE, intake	1	
5	202215.007994	CLIP	1	stainless
6	206412.001472	SCREW	1	

E11 MAGNETO ASSY



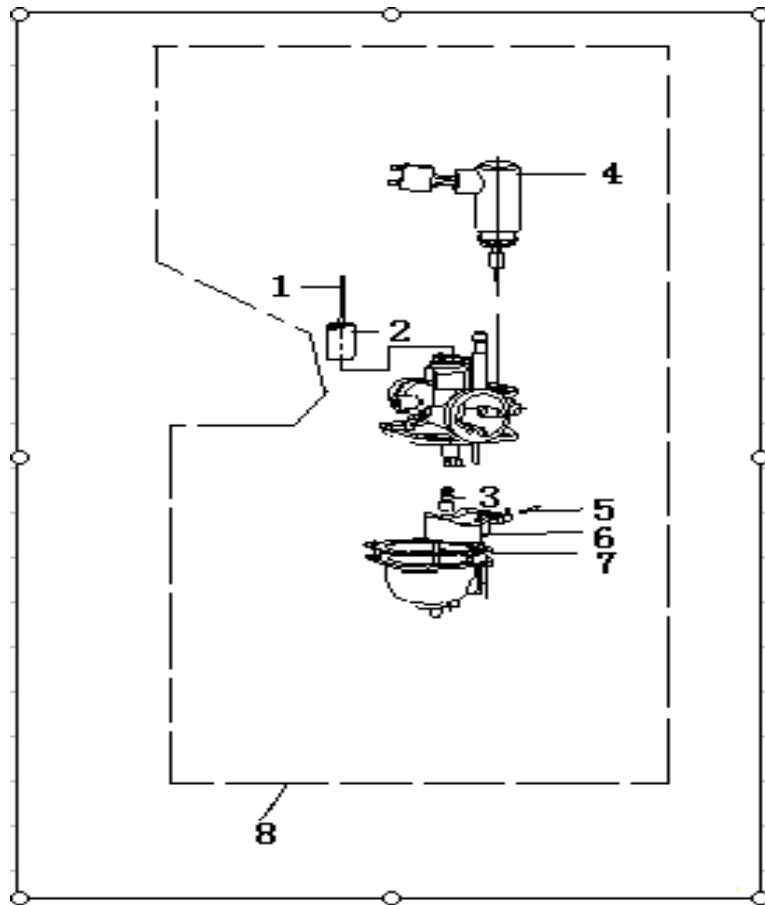
NO.	PART NO.	DESCRIPTION	QTY	Remarks
1	223102.104000	COIL ASSY	1	
4	223100.101000	MAGNETO ASSY	1	17°
3	34330G02F000	PULSE TRIGGER	1	
2	34350G02F000	OIL SEAT	1	
5	B02000502522	SCREW M5*25	2	
6	B02000501262	SCREW M5*12	2	
7	B02000400622	SCREW M4*6	1	
8	B07000000400	SPRING WASHER 4	1	
9	223101.022000	FLY WHEEL ASSY	1	17°
10	B07030001200	WASHER 12-140HV	1	
11	15228H03F000	NUT M12*1.25	1	
12	B02270601664	NUT M6*16	2	

E12 CARBURETOR, ASSY(45KM)



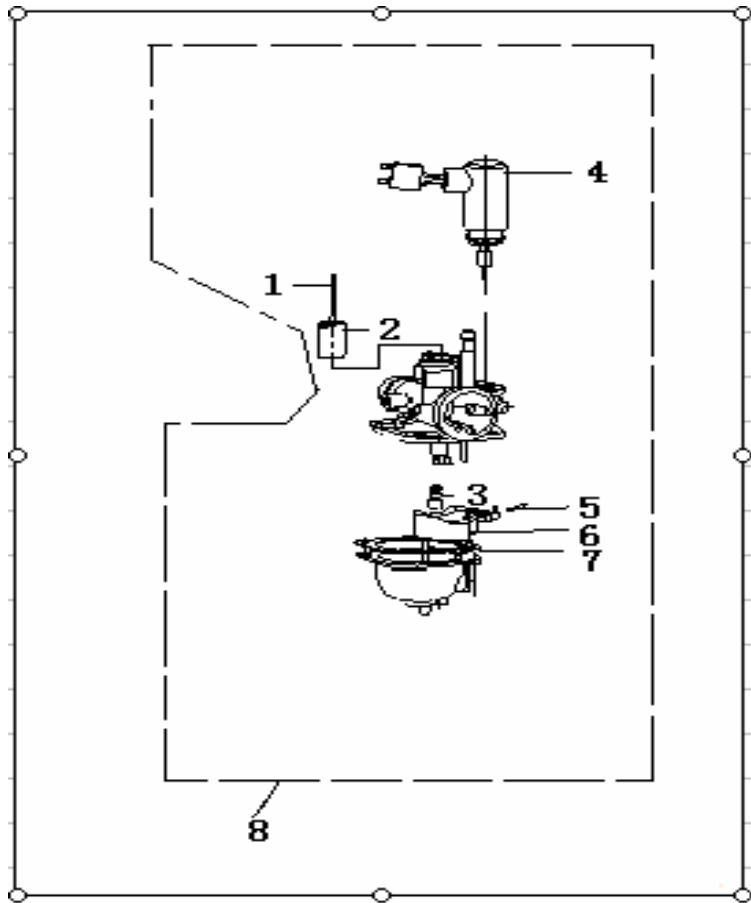
NO.	PART NO.	DESCRIPTION	QTY	Remarks
1	32510B01F000	NEEDLE, jet	1	
2	32511B01F000	VALVE, PISTON	1	25mm
3	224202.006000	JET, main	1	47,5
4	32612B01F000	ELECTRIC CHOKER	1	connection 270
5	32619B01F000	PIN, float	1	
6	32620B01F000	FLOAT	1	
7	32701B01F000	GASKET	1	
8	224100.047000	CARBURETOR ASSY	1	

E12 CARBURETOR, ASSY(30KM)



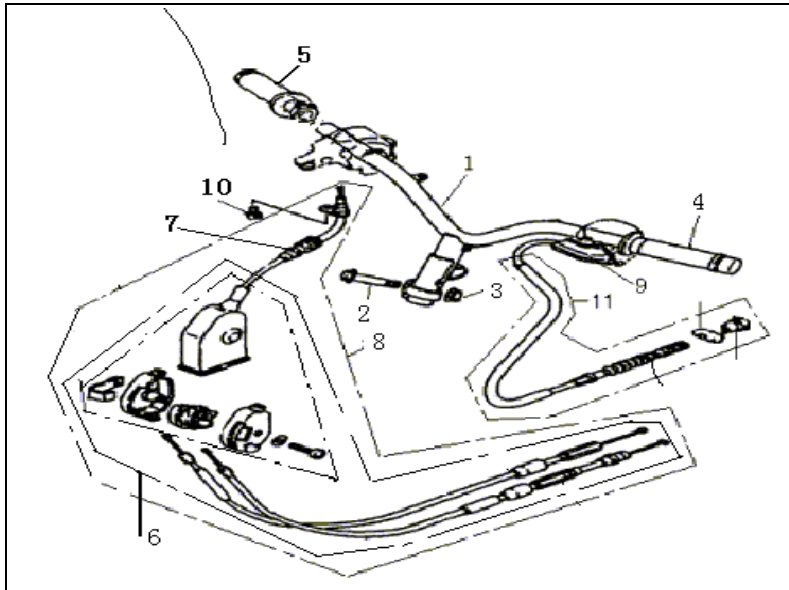
NO.	PART NO.	DESCRIPTION	QTY	Remarks
1	32510B01F000	NEEDLE, jet	1	
2	32511B01F000	VALVE,PISTON	1	28mm
3	224202.101000	JET, main	1	45
4	32612B01F000	ELECTRIC CHOKER	1	connection 270
5	32619B01F000	PIN, float	1	
6	32620B01F000	FLOAT	1	
7	32701B01F000	GASKET	1	
8	224100.108000	CARBURETOR ASSY	1	

E12 CARBURETOR, ASSY(25KM)



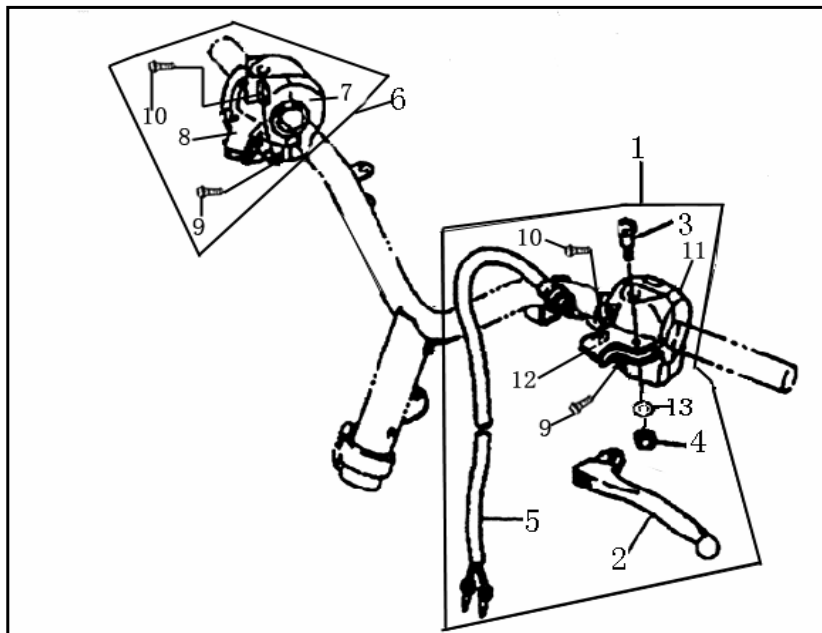
NO.	PART NO.	DESCRIPTION	QTY	Remarks
1	32510B01F000	NEEDLE, jet	1	
2	224304.101000	VALVE,PISTON	1	32mm
3	224202.101000	JET, main	1	45
4	32612B01F000	ELECTRIC CHOKER	1	lengthened to 270
5	32619B01F000	PIN, float	1	
6	32620B01F000	FLOAT	1	
7	32701B01F000	GASKET	1	
8	224100.112000	CARBURETOR ASSY	1	

F01 STEERING



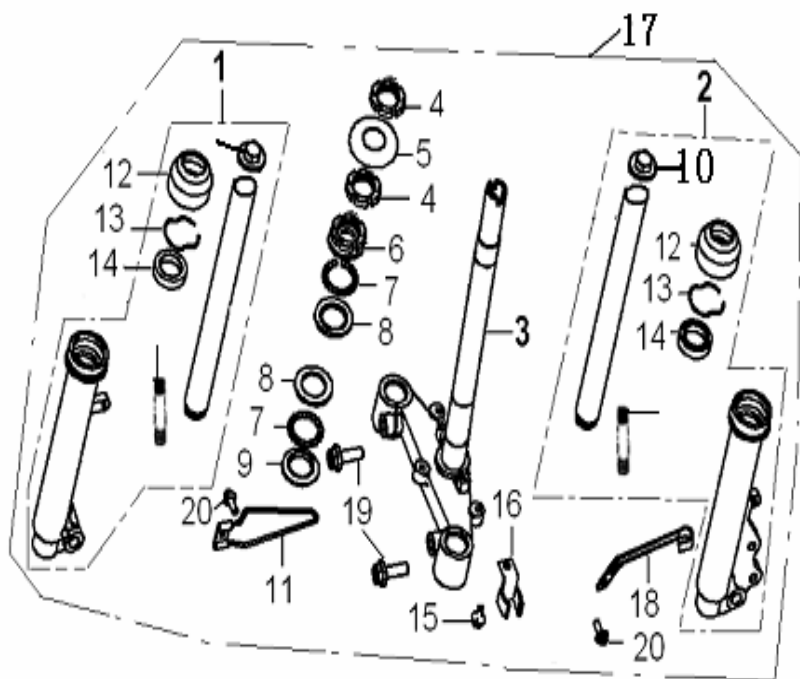
NO.	CODE	DESCRIPTION	QTY	Note
1	40100BMBT001	HANDLE COMP.	1	
2	B01091004565	FLANGE BOLT M10X1.25X45	1	
3	B04171012565	U NUT M10X1.25	1	
4	40001BMBT000	GRIP L.	1	
5	40210BMBT000	GRIP R., ASSY.	1	
6	40330BM0T000	CABLE THROTTLE 2 (LOWER)	1	
7	40306BM0T000	CABLE THROTTLE 1 (UPPER)	1	
8	40300BM0T001	CABLE THROTTLE, ASSY	1	
9	40008BM0T000	JACKET,RR. BRAKE CABLE	1	
10	B02000501025	PAN HEAD SCREW M5X10	1	
11	40270BMBT000	BRAKE CABLE REAR, ASSY.	1	

F02 LEVER/HANDLE SWITCH



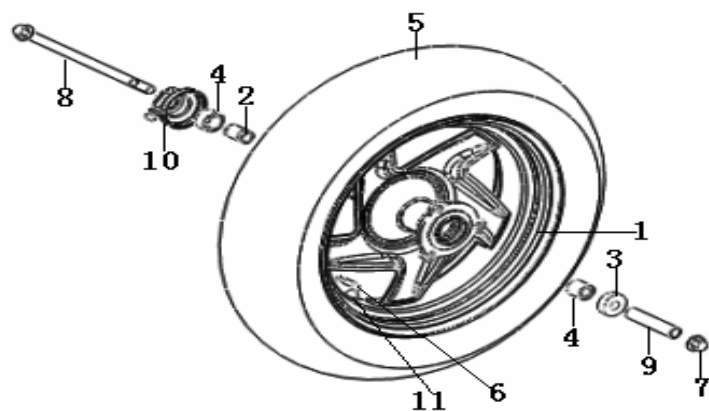
NO.	CODE	DESCRIPTION	QTY	Note
1	40500BM0T000	HANDLE SWITCH LH., ASSY.	1	
2	40002BM0T000	LEFT LEVER, LH. (145MM)	1	
3	40004BMA0T000	LEVER MOUNTING SCREW M5	1	
4	B04000500065	NUT 5MM	1	
5	91700BMA0T000	STOP SWITCH ASSY.	1	
6	40600BM0T000	HANDLE SWITCH RHASSY.	1	
7	40610BM0T000	HANDLE SWITCH RH	1	
8	40620BM0T000	R. SWITCH FIXING SEAT	1	
9	B02000502025	SCREW 5X20MM	2	
10	B02000502525	SCREW 5X25MM	2	
11	40510BM0T000	HANDLE SWITCH, LH.	1	
12	40520BM0T000	SWITCH FIXING SEAT, LH.	1	
13	B07000000505	WASHER 5MM	1	

F03 FRONT FORK



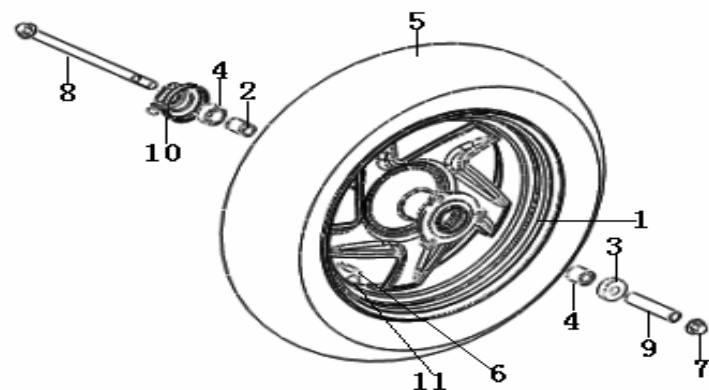
NO.	CODE	DESCRIPTION	QTY	Note
1	43300BMBT001	FRONT FORK RH., ASSY	1	
2	43200BMBT001	FRONTFORK LH., ASSY	1	
3	43100BMBT003	STEM, STEERING	1	
4	43008BMAT000	NUT II	2	
5	43005BMBT001	BALL RACE COVER	1	
6	43001BMBT002	BALL RACE, CONNECTING	1	
7	B06010150000	STEEL BALLφ5	42	
8	43003BMBT000	BALL RACE, 2	2	
9	43004BMBT000	BALL RACE, 4	1	
10	43204BMBT001	CAP BOLT	2	
11	43150BMAT000	CLIP, SPEEDOMETER CABLE	1	
12	43290K00P000	DUST SEAL	2	
13	43207K00P000	CLIP	2	
14	43260K00P000	OIL SEAL	2	
15	B01090601265	BOLT M6 x 12	1	
16	43035BMBT000	HOLDER, BRAKE HOSE 2	1	
17	43000BMBT001	FRONT FORK, ASSY.	1	
18	43021BM0T003	HOLDER, BRAKE HOSE 1	1	
19	B01091003065	FLANGE BOLT 10X1.25X30	2	
20	B01070601665	BOLT 6X16	2	

F04/1 FRONT WHEEL (STEEL RIM)



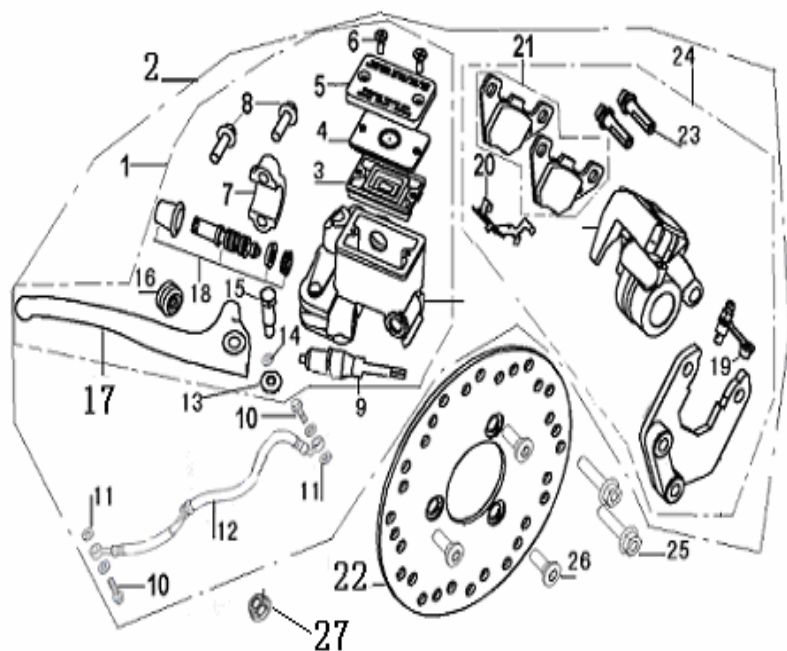
NO.	CODE	DESCRIPTION	QTY	Note
1	44100BM0T000	FRONTRIM COMP.3.5X12" (SILVER)	1	steel
1	44100BM0TB40	FRONT RIM COMP.3.5X12" (MATT-BLACK B4)	1	steel
1	44100BM0TR70	FRONT RIM COMP.3.5X12" (RED R7)	1	steel
1	44100BM0TY50	FRONT RIM COMP.3.5X12" (YELLOW Y5)	1	steel
1	44100BM0TL90	FRONT RIM COMP.3.5X12" (BLUE L9)	1	steel
2	44600BM0T910	DISTANCE COLLAR COMP.	1	
3	44300BM0T000	OIL SEAL 22X35X7, R.	1	
4	B12016020100	BALL BEARING 6201-2RS	2	
5	B140107D12AB	TIRE 120/70-12	1	
6	B1403Z201100	RIM VALVE	1	
7	B04171212563	U NUT 12X1.25MM	1	
8	44004G4CT000	FR. WHEEL AXLE	1	
9	44005BM0T000	COLLAR	1	
10	44200BM0T000	SPEEDOMETER GEAR COMP.	1	
11	B1404Z2011C0	CAP, VALVE	1	

F04/2 FRONT WHEEL (ALLOY RIM)



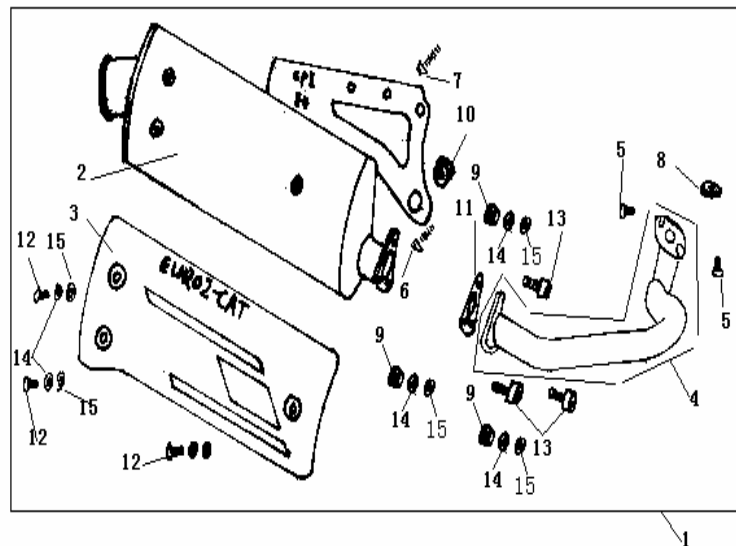
NO.	CODE	DESCRIPTION	QTY	Note
1	44100BM0T00A	FRONT RIM COMP.3.5X12 "(SILVER)	1	alloy
1	44100BM0TB4A	FRONT RIM COMP.3.5X12 "(MATT-BLACK B4)	1	alloy
1	44100BM0TR7A	FRONT RIM COMP.3.5X12 "(RED R7)	1	alloy
1	44100BM0TY5A	FRONT RIM COMP.3.5X12 "(YELLOW Y5)	1	alloy
1	44100BM0TL9A	FRONT RIM COMP.3.5X12 "(BLUE L9)	1	alloy
2	44600BM0T910	DISTANCE COLLAR COMP.	1	
3	44300BM0T000	OIL SEAL 22X35X7	1	
4	B12016020100	BEARING 6201-2RS	2	
5	B140107D12AB	TIRE 120/70-12	1	
6	B1403Z201100	RIM VALVE	1	
7	B04171212563	FLANGE U NUT M12X1.25	1	
8	44004G4CT000	FR. WHEEL AXLE M12X1.25X224	1	
9	44005BM0T000	COLLAR	1	
10	44200BM0T000	SPEEDOMETER GEAR COMP.	1	
11	B1404Z2011C0	CAP, VALVE	1	

F05 FRONT DISK BRAKE



NO.	CODE	DESCRIPTION	QTY	Note
1	45400BMBTB30	CYLINDER COMP.	1	stop switch, disc brake
2	45000J4FTRN0	DISC BRAKEASSY,FR.(U P BLACK, DOWN RED)	1	
3	45011J1DT000	RESERVOIR DIAPHRAGM	1	
4	45013J1DT000	WASHER, CYLINDER	1	
5	45012BMBT000	RESERVOIR CAP	1	
6	B02010401025	FLAT HEAD SCREW	2	
7	45023J1DT000	MASTER CYLINDER BRACKET	1	
8	B01070602365	BOLT M6X23MM	2	
9	45300J3AT000	STOP SWITCH ASSY.	1	
10	45037J00P000	UNION BOLT	2	
11	45029J00P000	PLATE WASHER	4	
12	45200BMBT000	FR. BRAKE HOSE	1	
13	B04160600065	NUT 6MM	1	
14	B07000000605	SPRING WASHER	1	
15	45024J1CT000	BOLT 6MM	1	
16	45057G0KP000	TENSION SPRING,LEVER	1	
17	45022J3AT000	DISC BRAKE LEVER	1	
18	45140J00P000	PISTON ASSY.	1	
19	45021J00P000	BREED SCREW CAP	1	
20	45017G0CP000	PAD SUPPORT,1	1	
21	45110J4FT000	BRAKE PAD KIT	1pair	
22	45033BMBTC20	BRAKE DISC	1	
23	45053G0CP000	GUIDE POLE	2	
24	45500J4FTRN0	CALIPER ASSY. (RED)	1	
25	45039J4FT000	BOLT M8X36	2	
26	45036BMAT000	BOLT	3	
27	B04171012563	FLANGE NUT	3	

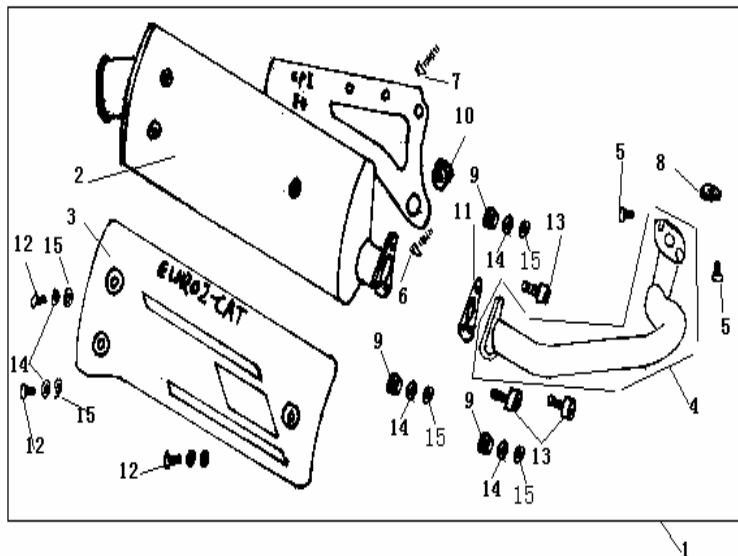
F06/1 MUFFLER (45 KM)



NO.	CODE	DESCRIPTION	QTY	Note
1	47000BMBT00A	MUFFLER ASSY.(with catalyst)	1	45km/h
	47000BMBT007	MUFFLER ASSY.(NO CATALYST)	1	45km/h
2	47200BMBT005	MUFFLER JOINTING COMP.	1	
	47200BMBT004	MUFFLER JOINTING COMP..(NO CATALYST)	1	
3	47023BMBT000	MUFFLER.COVER, DECORATION	1	
4	47500BMBT000	EXHAUST PIPE COMP. (45km)	1	new EURO-2
5	B01090601665	BOLT 6X16MM	2	
6	B01090803565	BOLT 8X35MM	1	
7	B01090802065	BOLT 8X20MM	1	
8	47800B00T000	GROMMET, EXHAUST PIPE	1	
9	B04000600060	NUT 6MM	3	
10	47740B0ET000	WASHER ASSY., FIXING	1	
11	47490BMBT000	GASKET, FLANGE	1	
12	B02000601060	SCREW 6X10MM	3	stainless
13	B02050602560	SCREW 6X25MM	3	stainless
14	B07000000600	SPRING WASHER 6	6	stainless
15	B07030000600	WASHER 6MM	6	stainless

Attention : The Page For 45 km Edition .

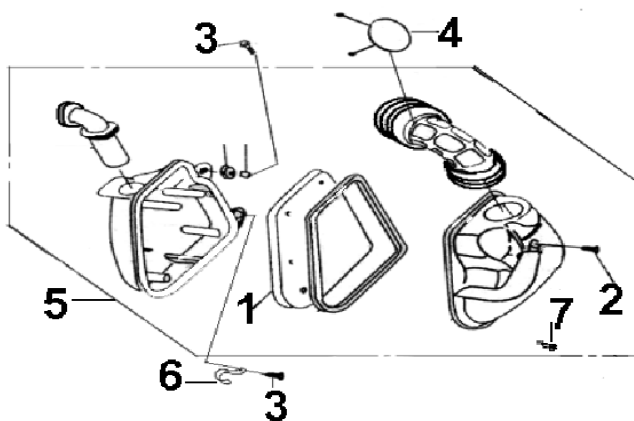
F06/2 MUFFLER (30KM & 25KM)



NO.	CODE	DESCRIPTION	QTY	Note
1	47000BMBT00B	MUFFLER ASSY.(30km/h)	1	30km/h
1	47000BMBT00C	MUFFLER ASSY.(25km/h)	1	25km/h
2	47200BMBT005	MUFFLER JOINTING COMP.	1	
3	47023BMBT000	MUFFLER.COVER, DECORATION	1	
4	47500BMBT001	EXHAUST PIPE COMP. (30km)	1	30km/h
4	47500BMBT003	EXHAUST PIPE COMP.(25km)	1	25km/h
5	08001BM0T000	SCREW M6X16	2	25&30km/h
6	B01090803565	BOLT M8X35	1	
7	B01090802065	BOLT M8X20	1	
8	47800B00T000	GROMMET, EXHAUST PIPE	1	
9	B04000600060	NUT M6MM	3	
10	47740B0ET000	WASHER ASSY., FIXING	1	
11	47490BMBT000	GASKET, FLANGE	1	
12	B02000601060	SCREW M6X10	3	stainless
13	B02050602560	SCREW M6X25	3	stainless
14	B07000000600	SPRING WASHER 6	6	stainless
15	B07030000600	WASHER 6	6	stainless
16	08002BM0T001	SCREW M6X25	1	25&30km/h

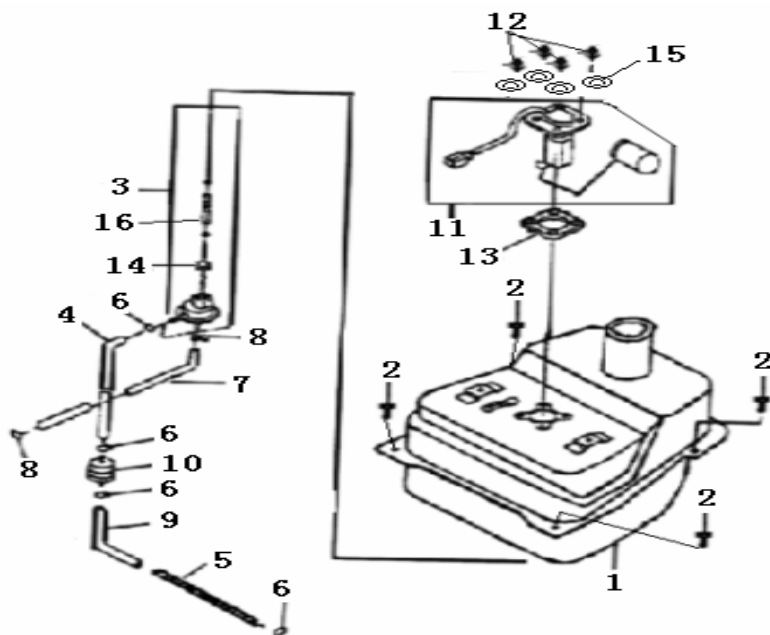
Attention : The Page For 30km & 25km Edition .

F07 AIR CLEANER



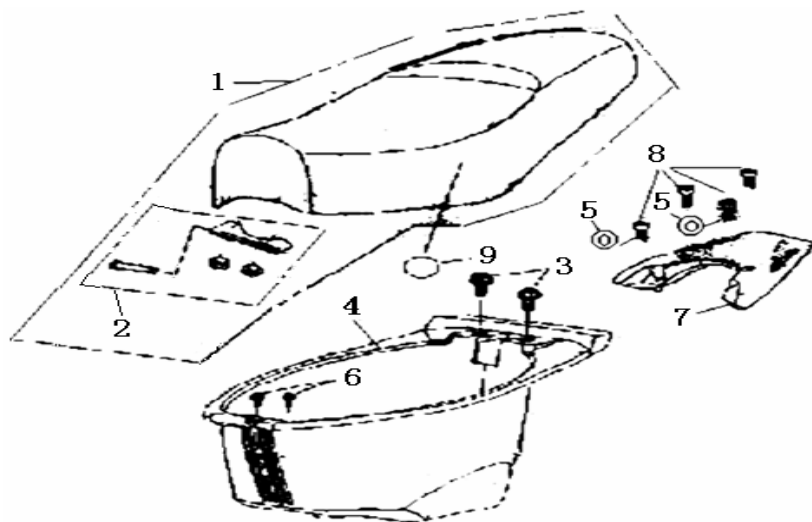
NO.	CODE	DESCRIPTION	QTY	Note
1	49200BMBT000	FILTER	1	
2	B05074202005	SCREW 4.2X20MM	5	
3	B01090602065	SCREW 6X20MM	2	
4	49016BM0T000	CLIP 42.5 (GOLD COLORED)	1	
5	B05074201205	SCREW 4.2X12MM	4	
6	49000BMBT001	AIR CLEANER ASSY.	1	
7	49371B0DT000	GUIDE, BRAKE CABLE	1	

F08 FUEL TANK



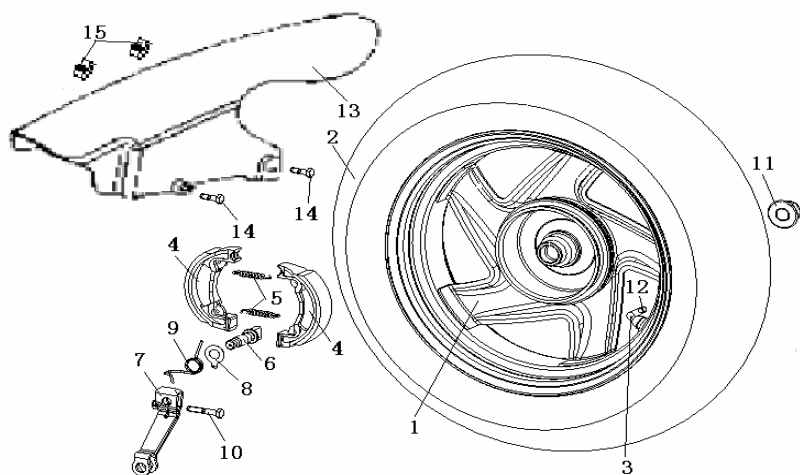
NO.	CODE	DESCRIPTION	QTY	Note
1	50100BMBT002	FUEL TANK COMP.	1	
2	B01090601665	BOLT 6X16MM	4	
3	50300BM0T000	FUEL COCK ASSY.	1	
4	50301BM0T000	FUEL HOSE, 1 (4.5X8.5X80)	1	
5	50316BMBT000	SPRING(BLACK)	1	
6	50307BM0T000	CLIP ϕ 8	4	
7	50302BM0T000	VACUUM HOSE, 1 (4X8X360)	1	
8	50306BM0T000	CLIP ϕ 7	2	
9	50303BM0T000	FUEL HOSE, 2 (4.5X8.5X250)	1	
10	50340J0ET000	FUEL FILTER ASSY.	1	
11	50800BMBT000	SENDER UNIT	1	
12	50801BM0T000	BOLT 5X16MM	4	
13	50004BMBT000	SENDER UNIT GASKET	1	
14	50312J0ET000	SEAL RING	1	
15	B070200005005	WASHER 5MM	4	
16	50352BM0T000	FUEL FILTER	1	

F09 SEAT



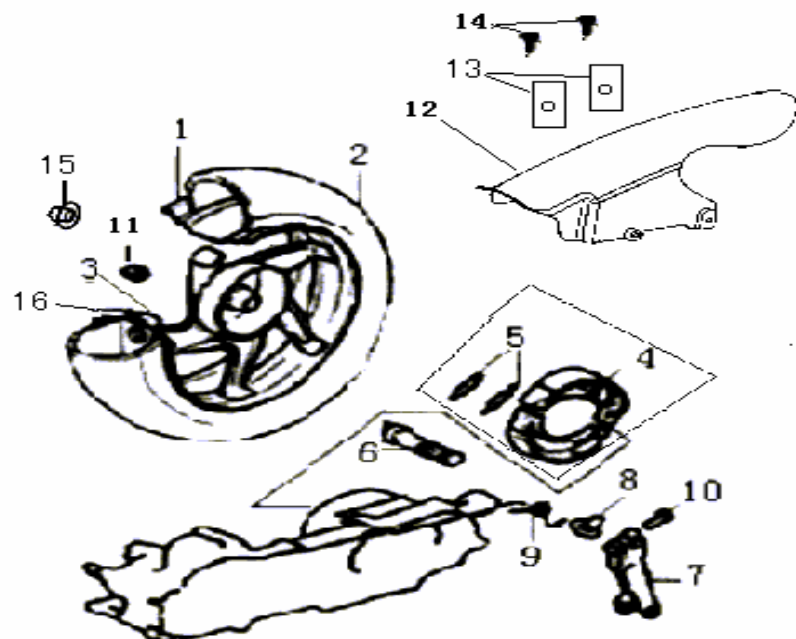
NO.	CODE	DESCRIPTION	QTY	Note
1	51100BMBT007	SEAT ASSY.	1	KEEWAY mark
2	51080BMBT001	SEAT HINGE	1	
3	08011H60X000	BOLT 6X14 MM	2	
4	51004BMBT001	LUGGAGE BOX	1	
5	B07030000805	WASHER 8MM	2	
6	08017J4AT000	BOLT 6X20 MM	2	
7	52011BMKTB40	RR..CARRIER COMP(MATT-BLACK B4)	1	
7	52011BMKTR70	RR.. CARRIER COMP (RED R7)	1	
7	52011BMKTY50	RR.CARRIER COMP (YELLOW Y5)	1	
7	52011BMKTL90	RR.. CARRIER COMP (BLUE L9)	1	
7	52011BMKTE60	RR.. CARRIER COMP (SPEED-BLUE E6)	1	
7	52011BMKTBA0	RR. CARRIER COMP (SATIN-BLACK BA)	1	
8	B02050804565	SCREW 8X45MM	4	
9	08032BMOT000	O-RING 84.4X3.1MM	1	

F10/1 REAR WHEEL (STEEL RIM)



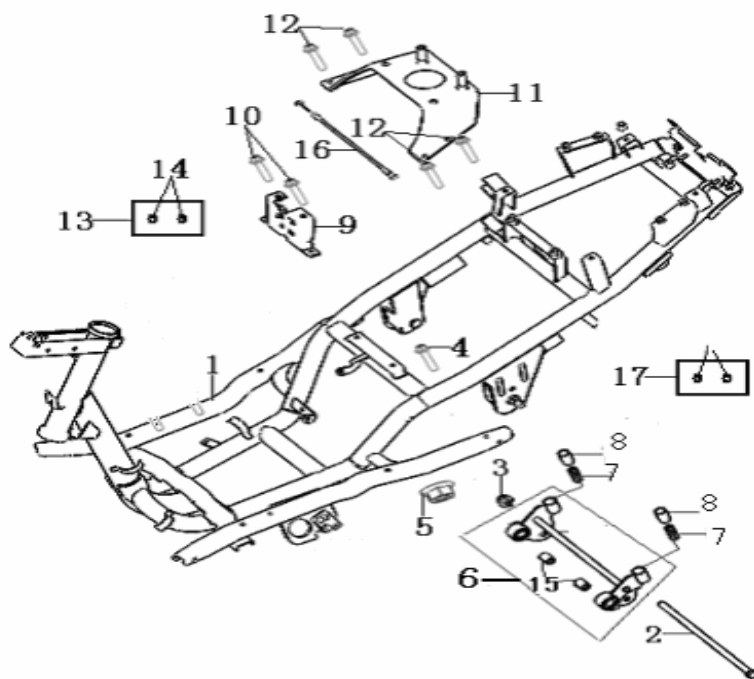
NO.	CODE	DESCRIPTION	QTY	Note
1	54100BM0T000	RR. RIM COMP. 3.5X12" (SILVER)	1	Steel
1	54100BM0TB40	RR. RIM COMP. 3.5X12" (MATT-BLACK B4)	1	Steel
1	54100BM0TR70	RR. RIM COMP. 3.5X12" (RED R7)	1	Steel
1	54100BM0TY50	RR. RIM COMP. 3.5X12" (YELLOW Y5)	1	Steel
1	54100BM0TL90	RR. RIM COMP. 3.5X12" (BLUE L9)	1	Steel
2	B140108D12BB	TIRE 130/70-12	1	
3	B1403Z201100	RIM VALVE Z2-01-1	1	
4	54200BMBT000	BRAKE SHOE KIT	2	
5	54001BMBT000	SPRING(BLACK)	2	
6	54003BM0T000	CAM SHAFT, 2	1	
7	54007BM0T000	CAM SHAFT LEVER, ASSY	1	
8	54002BM0T000	INDICATOR PLATE	1	
9	54008BMBT000	TENSION SPRING	1	
10	08012BM0T000	HEX. BOLT 6X30MM	1	
11	B04171615063	U NUT 16X1.5MM	1	
12	B1404Z2011C0	CAP, VALVE	1	
13	65701BMBT000	REAR FENDER	1	
14	B01090602065	BOLT M6X20MM	2	
15	65803J0ET000	SPRING NUT 6MM	2	

F10/2 REAR WHEEL (ALLOY RIM)



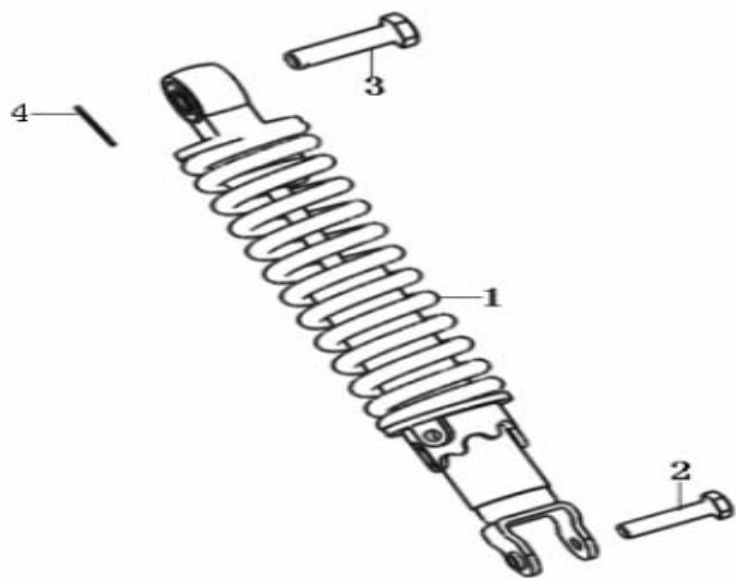
NO.	CODE	DESCRIPTION	QTY	Note
1	54100BM0T00A	RR. RIM COMP. 3.5X12" (SILVER/ALU)	1	Alloy
1	54100BM0TB4A	RR. RIM COMP. 3.5X12" (MATT-BLACK B4)	1	Alloy
1	54100BM0TR7A	RR. RIM COMP. 3.5X12" (RED R7)	1	Alloy
1	54100BM0TY5A	RR. RIM COMP. 3.5X12" (YELLOW Y5)	1	Alloy
1	54100BM0TL9A	RR. RIM COMP. 3.5X12" (BLUE L9)	1	Alloy
2	B140108D12BB	TIRE 130/70-12	1	
3	B1403Z201100	RIM VALVE Z2-01-1	1	
4	54200BMBT000	BRAKE SHOE KIT	2	pc
5	54001BMBT000	SPRING(BLACK)	2	
6	54003BM0T000	CAM SHAFT, 2	1	
7	54007BM0T000	CAM SHAFT LEVER, 2	1	
8	54002BM0T000	INDICATOR PLATE	1	
9	54008BMBT000	TENSION SPRING	1	
10	08012BM0T000	HEX. BOLT 6X30	1	
11	B04171615063	U NUT M16X1.5	1	
12	65701BMBT000	REAR FENDER	1	
13	65803JOET000	SPRING NUT 6MM	2	
14	B01090602065	BOLT M6X20MM	2	
15	54027BM0T000	CAP	1	
16	B1404Z2011C0	CAP, VALVE	1	

F11 FRAME BODY



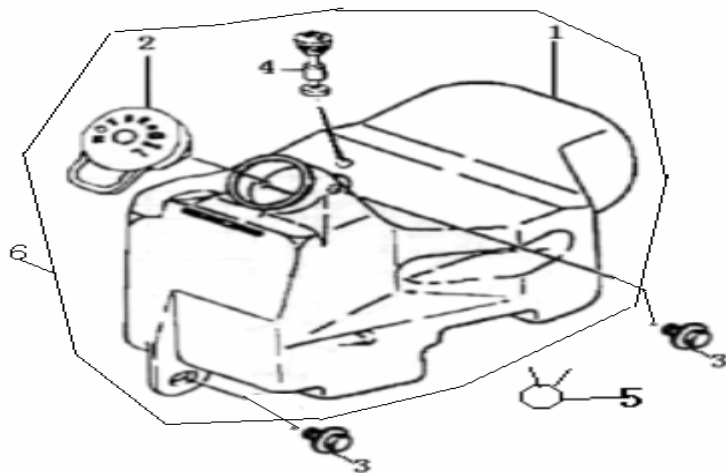
NO.	CODE	DESCRIPTION	QTY	Note
1	57100BMBT004	FRAME COMP.	1	
2	58303BM0T000	E/G MOUNTING BOLT, 1(GOLD COLORED)M12X1.25X280	1	
3	B04171212563	U NUT 12X1.25MM	1	
4	58301BMBT000	E/G MOUNTING BOLT, 2	2	
5	B04171012565	U NUT 10X1.25MM	2	
6	58360BMBT000	E/G BRKT JOINING. COMP.	1	
7	58302B0DT000	DAMPER	2	
8	58304BMBT000	SPRING	2	
9	58800BM0T000	SEAT CATCH COMP.	1	
10	B01090602065	BOLT 6X20MM	2	
11	57080BMKT000	CARRIER BRACKET	1	
12	B01090601265	BOLT 6X12MM	4	
13	57001BMBT010	FRAME BODY NO. PLATE(45km)	1	
13	57001BMBT011	FRAME BODY NO. PLATE(30km)	1	
13	57001BMBT012	FRAME BODY NO. PLATE(25km)	1	
14	B100432007P0	RIVET3.2X7MM	4	
15	58350BMAT000	BUFFER, ENGINE BRACKET	2	
16	58900BMBT000	SEAT CABLE	1	
17	57002BMBT010	ANTI-TAMPERING PLATE(45km)	1	
17	57002BMBT011	ANTI-TAMPERING PLATE(30km)	1	
17	57002BMBT012	ANTI-TAMPERING PLATE(25km)	1	

F12 REAR ABSORBER



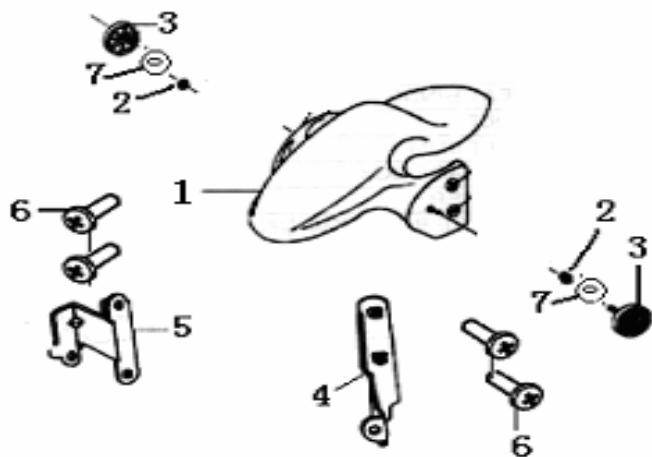
NO.	CODE	DESCRIPTION	QTY	Note
1	63100BM0TC10	RR. ABSORBER COMP.,(silver)	1	
2	63015J0ET000	BOLT 8X31MM	1	
3	B01141004063	BOLT 10X1.25X40MM	1	
4	63016B0DT000	SPLIT PIN	1	

F13 OIL TANK



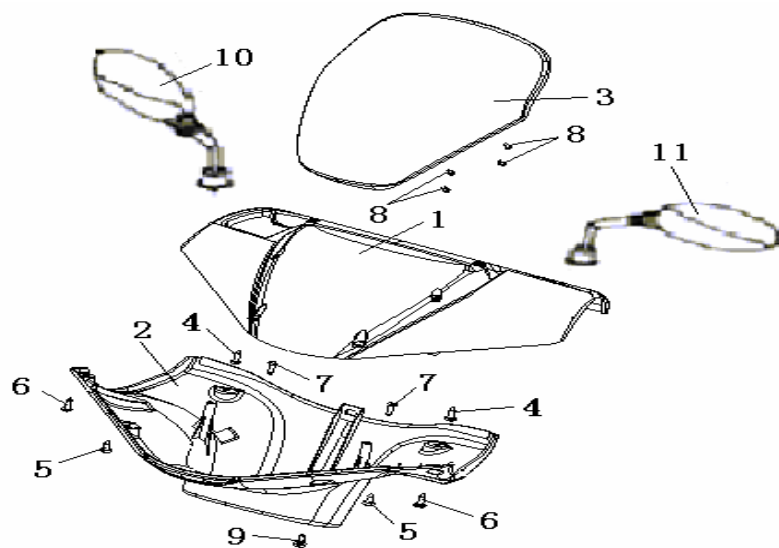
NO.	CODE	DESCRIPTION	QTY	Note
1	64001BMAT000	OIL TANK	1	
2	64090BMAT000	OIL TANK CAP	1	
3	B01090601665	BOLT 6X16MM	2	
4	64100BMAT000	OIL LEVER GAUGE ASSY.	1	
5	50307BM0T000	CLIP $\phi 8$	1	
6	64000BMAT000	OIL TANK ASSY.	1	

F14 FRONT FENDER



NO.	CODE	DESCRIPTION	QTY	Note
1	65101BMBTR70	FRONT FENDER, (RED R7)	1	
1	65101BMBTB40	FRONT FENDER, (MATT-BLACK B4)	1	
1	65101BMBTL90	FRONT FENDER, (BLUE L9)	1	
1	65101BMBTE60	FRONT FENDER, (SPEED-BLUE E6)	1	DK
1	65101BMBTY50	FRONT FENDER, (YELLOW Y5)	1	
1	65101BMBTBA0	FRONT FENDER, (SATIN-BLACK BA))	1	
2	B04000500063	FLANGE NUT 5MM	2	
3	86300BMMT000	REAR REFLECTOR(E11 020614)	2	
4	65130BMBT000	FRONT FENDER BRACKET, 1	1	
5	65140BMBT000	FRONT FENDER BRACKET, 2	1	
6	65114BMBT000	SCREW W/WASHER 6X16MM	4	
7	B07030000503	WASHER 5	2	

F15 HANDLE COVER



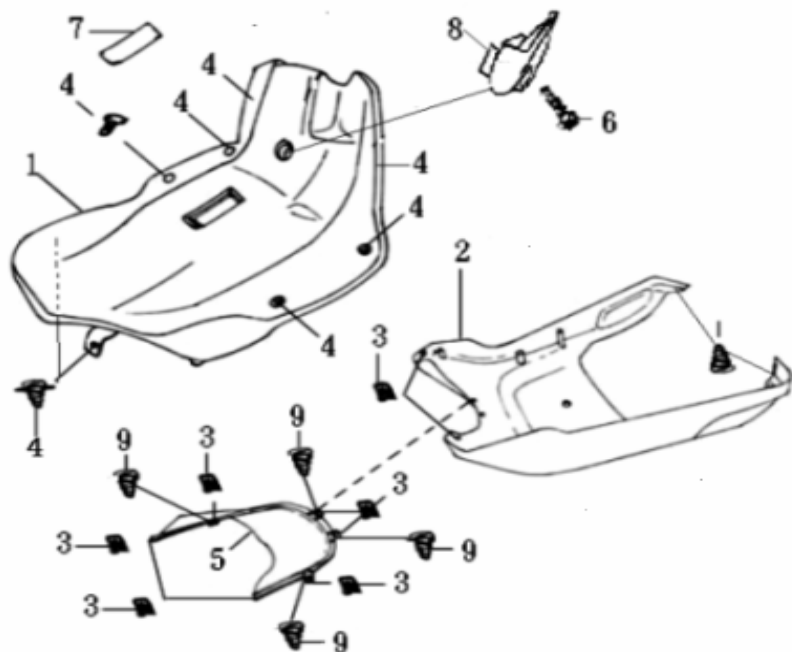
NO.	CODE	DESCRIPTION	QTY	Note
1	65201BMBTB42	HANDLE COVER, 1, (MATT-BLACK B4)	1	
1	65201BMBTR72	HANDLE COVER, 1, (RED R7)	1	
1	65201BMBTY52	HANDLE COVER, 1, (YELLOW Y5)	1	
1	65201BMBTL92	HANDLE COVER, 1, (BLUE L9)	1	
1	65201BMBTE60	HANDLE COVER, 1, (SPEED-BLUE E6)	1	DK
1	65201BMBTBA2	HANDLE COVER, 1, (SATIN-BLACK BA)	1	
2	65202BMBT000	HANDLE COVER, 2	1	
3	65203BMBT000	METER VISION ASSY.	1	
4	B05075001605	SCREW 5X16MM	2	
5	B05075001205	SCREW 5X12MM	2	
6	B05074001205	SCREW 4X12MM	2	
7	B05074001605	SCREW 4X16MM	2	
8	B05073001005	SCREW 3X10MM	4	
9	B13010501405	SCREW 5X14MM	1	
10	40470BMBT002	REAR VIEW MIRROR ASSY., 2 (E-MARK, SILVER/BLACK)	1	
11	40460BMBT002	REAR VIEW MIRROR ASSY., 1 (E-MARK, SILVER/BLACK)	1	

F16 FRONT COVER



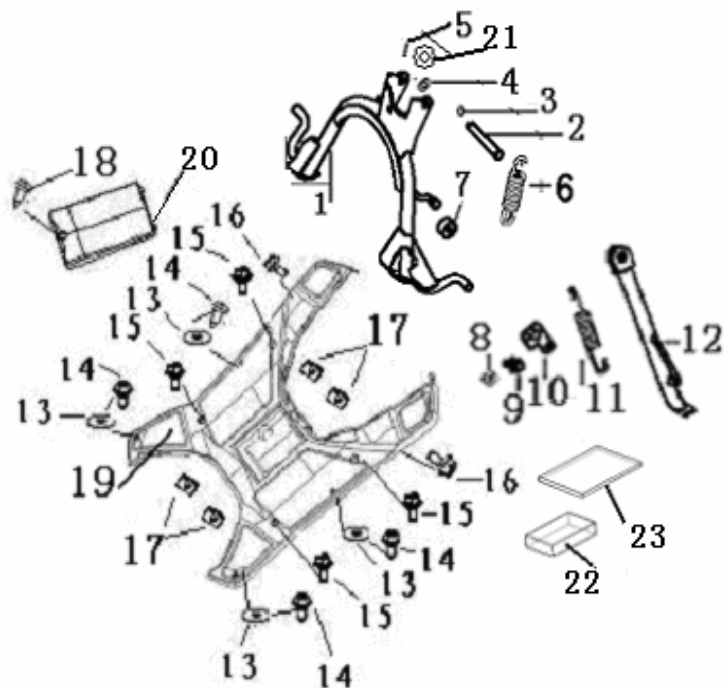
NO.	CODE	DESCRIPTION	QTY	Note
1	65301BMBTB4A	LEG SHIELD, 1 (MATT-BLACK B4)	1	
1	65301BMBTR7A	LEG SHIELD, 1 (RED R7)	1	
1	65301BMBTY5A	LEG SHIELD, 1 (YELLOW Y5)	1	
1	65301BMBTL9A	LEG SHIELD, 1 (BLUE L9)	1	
1	65301BMBTE60	LEG SHIELD, 1 (SPEED-BLUE E6)	1	DK
1	65301BMBTBAA	LEG SHIELD, SATIN-(BLACK BA)	1	
2	65314BMBT000	SCREW	1	
3	08027J4AT000	PLASTIC WASHER	1	
4	B05074201605	SCREW 4X16	4	
5	65367BMBT000	COVER, R	1	
6	65366BMBT000	COVER, L	1	
7	B05074001205	SCREW 4X12	6	
8	65801BMAT000	SPRING NUT	4	

F17 LEG SHIELD



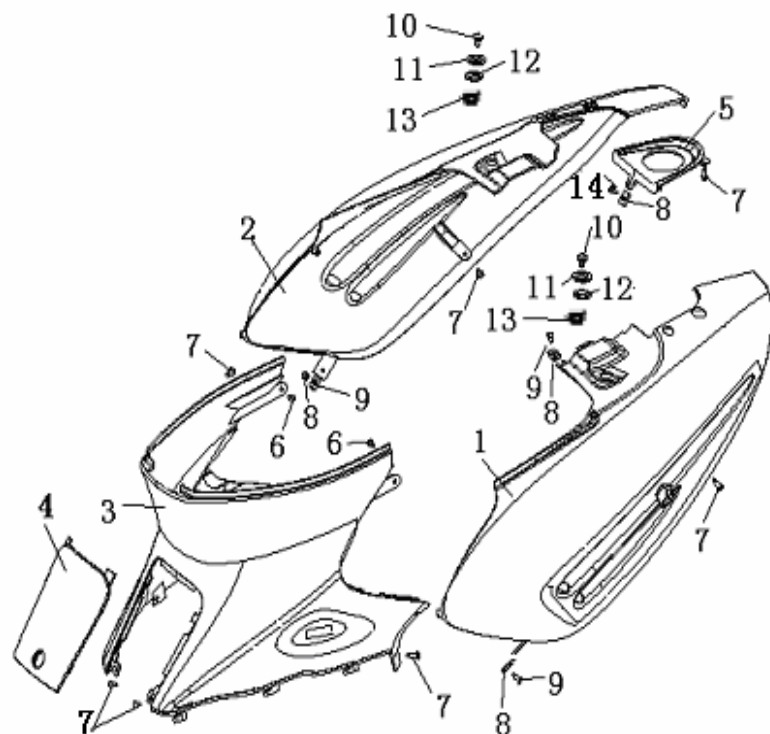
NO.	CODE	DESCRIPTION	QTY	Note
1	65402BMBT000	LEG SHIELD, 2	1	
2	65406BMBTCA0	UNDER COVER, (SILVER CA)	1	
2	65406BMBTB40	UNDER COVER, (MATT-BLACK B4)	1	
3	65801BMAT000	SPRING NUT 4MM	8	
4	B05074801605	TAPPING SCREW 4.8X16	8	
5	65407BMKT000	INNER FENDER	1	
6	B01090603065	BOLT6X30	1	
7	65403BMBT000	INSPECT COVER	1	
8	51011BMBT000	HOOK, HELMET	1	
9	B05074201605	TAPPING SCREW 4.2X16	8	

F18 FOOTREST/STAND



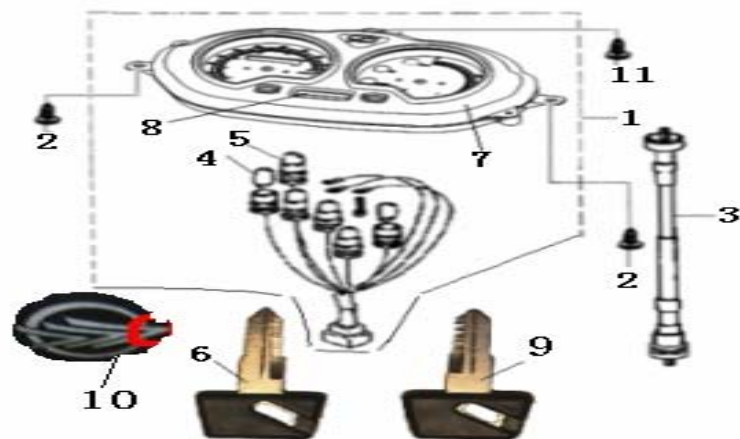
NO.	CODE	DESCRIPTION	QTY	Note
1	58520BM0T002	MAIN STAND COMP.	1	
2	58590BM0T000	PIN	1	
3	B190101000A0	O-RING 10X1.8	1	
4	58508B0DT000	PLATE WASHER	1	
5	63016B0DT000	SPLIT PIN	1	
6	58510BM0T000	MAIN STAND SPRING ASSY.	1	
7	58507BM0T000	CUSHION, MAIN STAND	1	
8	B04070800065	U NUT 8MM	1	
9	57005BMBT000	BOLT, SINGLE STAND	1	
10	57006BM0T000	HOOK SPRING	1	
11	57010BM0T000	SIDE STAND SPRING ASSY.	1	
12	58700BM0T000	SIDE STAND COMP.	1	
13	B07030000505	WASHER 5	4	
14	B05074001605	TAPPING SCREW	6	
15	08011H60X000	BOLT	4	
16	B01090601265	BOLT 6X12	4	
17	65802BMAT000	SPRING NUT	6	
18	B05075001605	TAPPING SCREW 5X16	1	
19	65401BMBT000	FLOOR, BLACK	1	
20	65813BMBT000	BATTERY COVER	1	
21	B07030001005	WASHER 10	1	
22	65812BMBT000	BATTERY DAMPER II	1	
23	65811BMBT000	BATTERY DAMPER I	1	

F19 SIDE COVER



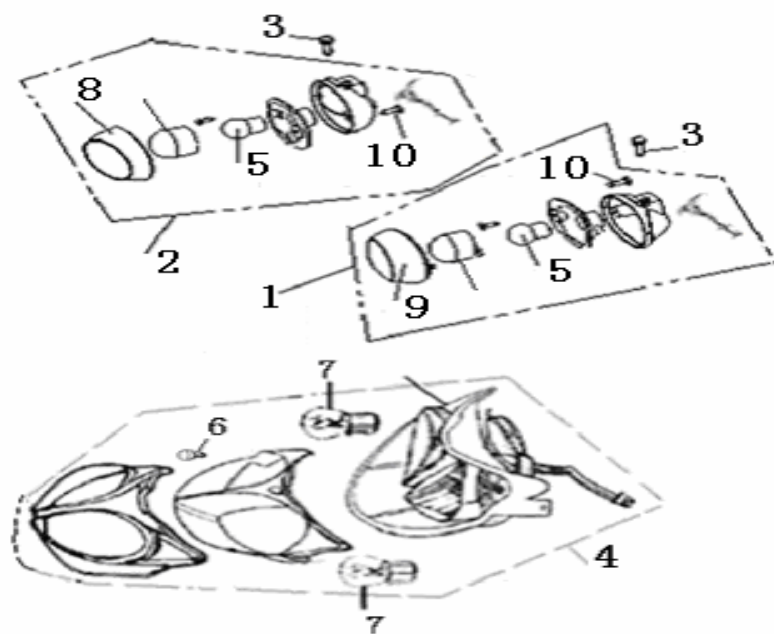
NO.	CODE	DESCRIPTION	QTY	Note
1	65601BMBTB40	SIDE COVER, 1 (MATT-BLACK B4)	1	
1	65601BMBTR70	SIDE COVER, 1 (RED R7)	1	
1	65601BMBTY50	SIDE COVER, 1 (YELLOW Y5)	1	
1	65601BMBTL90	SIDE COVER, 1 (BLUE L9)	1	
1	65601BMBTE60	SIDE COVER, 1 (SPEED-BLUE E6)	1	DK
1	65601BMBTBA0	SIDE COVER, 1 (SATIN-BLACK BA)	1	
2	65602BMBTB40	SIDE COVER, 2 (MATT-BLACK B4)	1	
2	65602BMBTR70	SIDE COVER, 2 (RED R7)	1	
2	65602BMBTY50	SIDE COVER, 2 (YELLOW Y5)	1	
2	65602BMBTL90	SIDE COVER, 2 (BLUE L9)	1	
2	65602BMBTE60	SIDE COVER, 2 (SPEED-BLUE E6)	1	DK
2	65602BMBTBA0	SIDE COVER, 2 (SATIN-BLACK BA)	1	
3	65605BMBT000	SIDE COVER, 3	1	
4	65619BMBT000	SIDE COVER, 4	1	
5	65606BMBTB40	SIDE COVER, 5 (MATT-BLACK B4)	1	
5	65606BMBTR70	SIDE COVER, 5 (RED R7)	1	
5	65606BMBTY50	SIDE COVER, 5 (YELLOW Y5)	1	
5	65606BMBTL90	SIDE COVER, 5 (BLUE L9)	1	
5	65606BMBTE60	SIDE COVER, 5 (SPEED-BLUE E6)	1	DK
5	65606BMBTBA0	SIDE COVER, 5 (SATIN-BLACK BA)	1	
6	B05074001205	SCREW 4X12MM	2	
7	B05074801605	SCREW	7	
8	65802BMAT000	SPRING NUT 5MM	4	
9	B05075001205	SCREW 5X12MM	4	
10	B02000602025	SCREW 6X20MM	2	
11	08021BMBT000	WASHER	2	
12	65618J00P000	RUBBER WASHER	2	
13	65709BM0T000	BUSH, RR. FENDER	2	
14	B05074801305	SCREW	1	

F20 SPEEDOMETER.



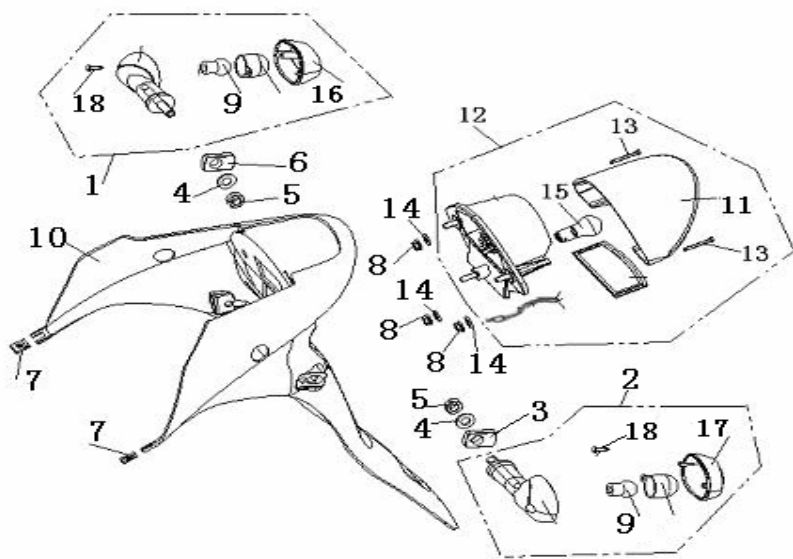
NO.	CODE	DESCRIPTION	QTY	Note
1	70000BMMTW63	SPEEDOMETER COMP.,45KM VER	1	45km/h
1	70000BMMTW64	SPEEDOMETER COMP.,30KM VER	1	30km/4
1	70000BMMTW65	SPEEDOMETER COMP.,25KM VER	1	25km/h
2	B05074001205	TAPPING SCREW 4X12	2	
3	72900BMBT000	SPEEDOMETERCABLE COMP.	1	
4	70001BMBT000	BULB 12V-3W	3	
5	70036BMBT000	BULB 12V-2W	3	
6	88900BMBT001	KEY NUT RIGHT	1	
7	70003BMBT004	SPEEDOMETER COVER	1	
8	76000BMBT001	DIGITAL WATCH	1	
9	88900BMBT002	KEY NUT LEFT	1	
10	05501J4HT000	STICK	1	
11	B05074001005	TAPPING SCREW	1	

F21 FLASHER LIGHT/HEAD LIGHT



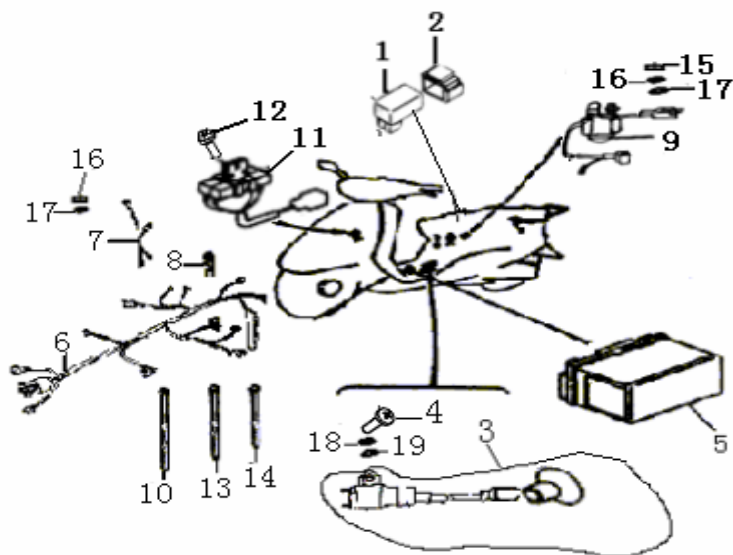
NO.	CODE	DESCRIPTION	QTY	Note
1	81100B20T001	FLASHER LIGHT ASSY., 1MARK:E3 50R-00 1024	1	
2	81300B20T001	FLASHER LIGHT ASSY., 2MARK:E3 50R-00 1024	1	
3	B13060501205	SCREW W/WASHER 5X12	2	
4	80000J4AT000	HEAD LAMP ASSY.	1	
5	81004BMBT000	BULB, 12V/10W	2	
6	70001BMBT000	BULB(12V-3W)	1	
7	80002B20T000	BULB(12V35/35W)	2	
8	81302B20T000	LIGHT COVER, R.	1	
9	81102B20T000	LIGHT COVER, L.	1	
10	08011B20T000	SCREW 3X28	2	

F22 TAIL LIGHT



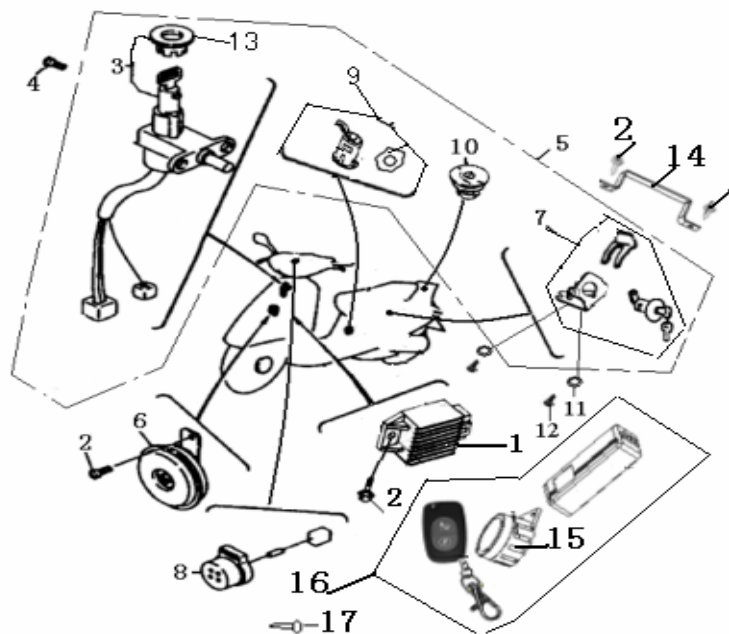
NO.	CODE	DESCRIPTION	QTY	Note
1	81700B20T001	TURN LIGHT,F.R.E-MARK:E3 50R-00 1024	1	
2	81500B20T001	TURN LIGHT,R.L-MARK:E3 50R-00 1024	1	
3	81511BM0T000	FLASHER LIGHT CUSHION , L	1	
4	B07030001005	WASHER 10MM	2	
5	B04061012555	NUT10X1.25MM	2	
6	81708BM0T000	FLASHER LIGHT CUSHION , R	1	
7	65802BM0T000	SPRING NUT 5MM	2	
8	B04070600065	NUT 6MM	3	
9	81004BMBT000	BULB, 12V/10W	2	
10	08202BM0T000	LICENSE BRACKET	1	
11	82008BM0T003	INDICATOR LENS	1	
12	82000BM0T001	TAIL LIGHT ASSY. (E MARK)	1	
13	08009BM0T000	SCREW 4X28	2	
14	82011G00P000	RUBBER WASHER	3	
15	82005B20T000	BULB 12V 21/5W	1	
16	81302B20T000	RR. LIGHT COVER, L.	1	
17	81102B20T000	RR. LIGHT COVER, R.	1	
18	08011B20T000	SCREW 3X28	2	

F23 ELECTRICAL EQUIPMENT I



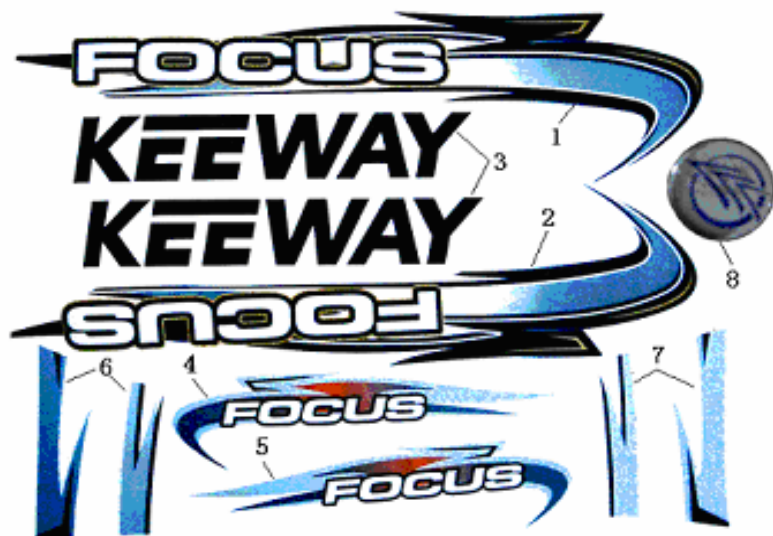
NO.	CODE	DESCRIPTION	QTY	Note
1	97701BM0T001	C.D.I. UNIT COMP.	1	
2	96007BM0T000	CUSHION. C.D.I.	1	
3	96200BMAT000	IGNITION COIL ASSY	1	
4	B02000502025	SCREW 5X20	1	
5	96100BM0T000	BATTERY ASSY.	1	
6	92000BMBT00A	WIRE HARNESS ASSY.	1	
6	92000BMBT00H	WIRE HARNESS VT, ASSY	1	
7	96900BMBT000	WIRE HARNESS	1	
8	96800BMAT000	FUSE 8A,250V	1	
9	94000BMBT000	STARTER RELAY COMP.	1	
10	96001K00P000	BAND 8*250	3	
11	96600BMAT000	RESISTOR COMP.	1	
12	B01090601265	BOLT 6X12	2	
13	96003K00P000	BAND 8*200	3	
14	96002K00P000	BAND 8*150	1	
15	B04000600055	NUT 6MM	1	
16	B07000000605	WASHER 6	2	
17	B07030000605	WASHER 6	2	
18	B07000000505	WASHER 5	1	
19	B07030000505	WASHER 5	1	

F24 ELECTRICAL EQUIPMENT



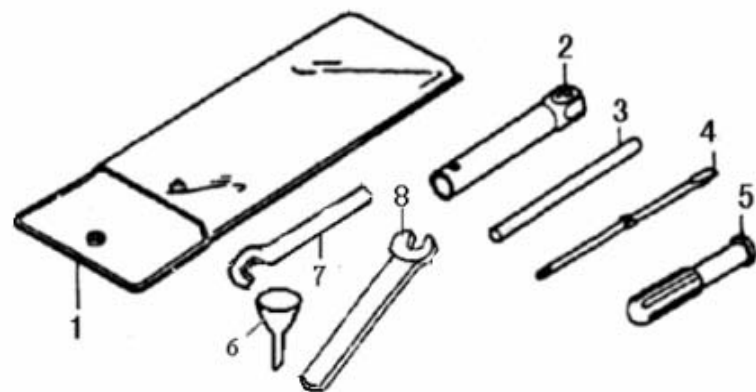
NO.	CODE	DESCRIPTION	QTY	Note
1	98801J0ET000	REGULATOR COMP.	1	
2	B01090601265	BOLT 6X12	4	
3	88100BMBT000	MAIN SWITCH ASSY	1	
3	88100BMBT00A	MAIN SWITCH VT, ASSY	1	
4	08002BMBT000	BOLT 6X12	2	
5	88000BMBT000	LOCK ASSY.	1	
5	88000BMBT00A	LOCK VT, ASSY	1	
6	95000BMDT000	HORN (E MARK)	1	
7	88800BMBT000	LOCK ASSY., SEAT	1	
8	96500BM0T00B	FLASH&AUDIO PILOT COMP.	1	
9	88500BMBT000	LOCK, COVER	1	
10	88400BMBT000	LOCK ASSY., FUEL TANK	1	
11	B07030000505	WASHER 5	2	
12	B05074001005	TAPPING SCREW 4X10	2	
13	88101BMBT000	COVER MAIN SWITCH	1	
14	95701JCCT000	BAKT ALARMSYSTEM	1	
15	95730BMBT002	ALARM SYSTEM HORN	1	
16	95700BMBT002	ALARM ASSY.	1	
17	B05074801305	TAPPING SCREW	1	

F25 STICKER



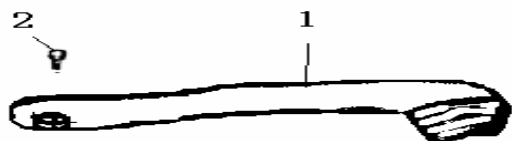
NO.	CODE	DESCRIPTION	QTY	Note
1	05512BMBT01A	R, SIDE COVER STICKER	1	
2	05511BMBT01A	L, SIDE COVER STICKER	1	
3	05541BMBT010	BLACK STICK KEEWAY	2	
3	05524J4AT005	SILVER STICK KEEWAY	2	
4	05521BMBT01A	STICKER FR.COVER L	1	
5	05522BMBT01A	STICKER FR.COVER R	1	
6	05523BMBT010	FR.COVER L	1	
7	05524BMBT010	FR.COVER R	1	
8	05525BMBTB40	MARK, BIRD BLACK	1	
8	05525BMBTR70	MARK, BIRD RED	1	
8	05525BMBTY50	MARK, BIRD YELLOW	1	
8	05525BMBTL90	MARK, BIRD BLUE	1	
8	05525BMBTBA0	MARK, BIRD BLACK(BA)	1	

F26 TOOL KIT



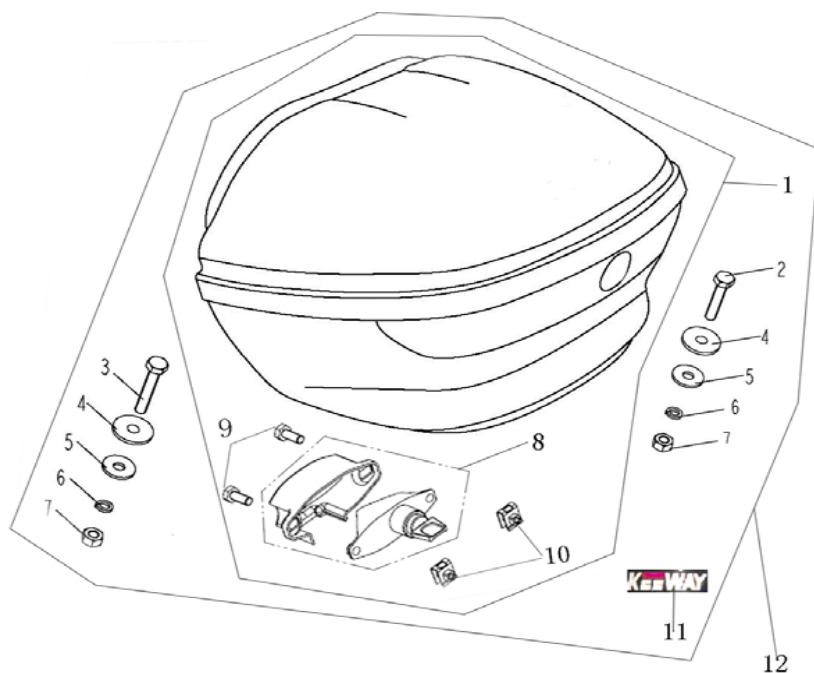
NO.	CODE	DESCRIPTION	QTY	Note
1	02110BM0T000	TOOL BAG	1	
2	02102BM0T000	SPARK PLUG SOCKET	1	
3	02101BM0T000	SPARK PLUG SOCKET HANDLE	1	
4	02103BM0T000	SCREW DRIVER	1	
5	02104BM0T000	HANDLE	1	
6	02114BM0T000	FILTER, OIL TANK	1	
7	02115BM0T000	RR. ABSORBER ADJUSTER	1	
8	02117BMBT000	WRENCH 35	1	

F27 KICK PEDAL



NO.	CODE	DESCRIPTION	QTY	Note
1	08351BM0TC10	STARTING SHAFT (SILVER)	1	
2	B02050602565	SCREW 6X25	1	

F28 FOCUS-50 TOP BOX ASSY.



NO.	CODE	DESCRIPTION	QTY	Note
1	52210BMBTB40	TOPBOX (MATT-BLACK B4)	1	Føres ikke
1	52210BMBTY50	TOPBOX (YELLOW Y5)	1	Føres ikke
1	52210BMBTR70	TOPBOX (RED R7)	1	Føres ikke
1	52210BMBTL90	TOPBOX (BLUE L9)	1	Føres ikke
1	52210BMBTE60	TOPBOX (SPEED-BLUE E6)	1	Føres ikke
1	52210BMBTBA0	TOPBOX (SATIN-BLACK BA)	1	Føres ikke
2	B01010603033	BOLT M6×30	2	
3	B01010603533	BOLT M6×35	2	
4	52221BMBT000	WASHER	4	
5	B07020000603	WASHER 6	4	
6	B07000000603	SPRING WASHER 6	4	
7	B04000600043	NUT M6	4	
8	88600BMBT000	BACK BOX LOCK	1	
9	B01070601663	SCREW M6×16	2	
10	52910BMBT000	NUT , CLIPPING M6	2	
11	05591BMBT000	TOPBOX COVER	1	
12	52200BMBTB40	TOPBOX ASSY (MATT-BLACK B4)	1	
12	52200BMBTY50	TOPBOX ASSY (YELLOW Y5)	1	
12	52200BMBTR70	TOPBOX ASSY (RED R7)	1	
12	52200BMBTL90	TOPBOX ASSY (BLUE L9)	1	
12	52200BMBTE60	TOPBOX ASSY (SPEED-BLUE E6)	1	DK
12	52200BMBTBA0	TOPBOX ASSY (SATIN-BLACK BA)	1	