

CATALOG CODE:

JCK-(Q16-00)-B08(DOUBLE LAMP)45KM-2A <with mechanical speedometer>

JCK-(Q16-00)-B08(DOUBLE LAMP)45KM-2B (with digital speedometer)

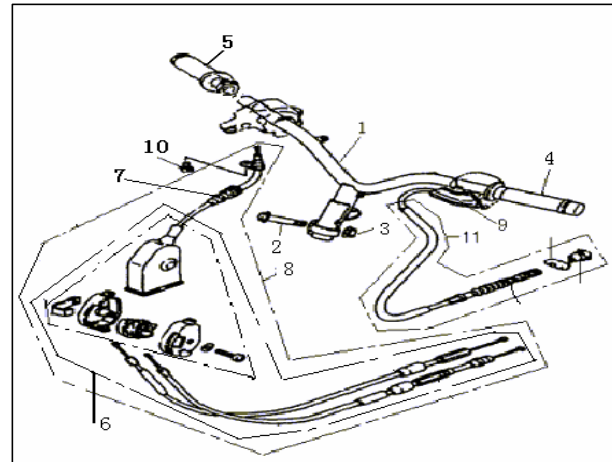
MODLE: F-ACT 50, 45KM/H, 25KM/H, 2007 Ver., EEC-2

COLORS COVERED: BLUE EN; RED R8; SATIN BLACK BA; PLATINUM CL

F01

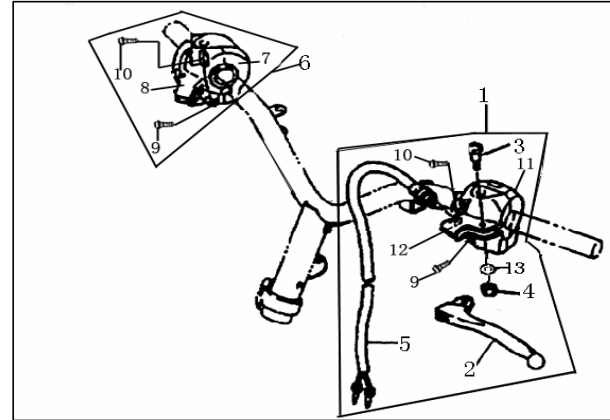
STEERING

NO.	CODE	EN DESCRIPTION	QTY	NOTES
1	40100BMBT001	HANDLE COMP.	1	
2	B01091004565	BOLT 10X1.25X45MM	1	
3	B04171012565	U NUT 10X1.25MM	1	
4	40001J4FT000	L. GRIP	1	
5	40212J4FT000	GRIP ASSY.	1	
6	40330BM0T000	CABLEASSY.THROTTLE 2	1	
7	40306BM0T000	CABLE THROTTLE 1	1	
8	40300BM0T001	CABLE ASSY. THROTTLE	1	
9	40008BM0T000	JACKET,RR. BRAKE CABLE	1	
10	B02000501025	PAN HEAD SCREW 5X10MM	1	
11	40270BMBT000	BRAKE CABLE ASSY.	1	



F02**LEVER/HANDLE SWITCH**

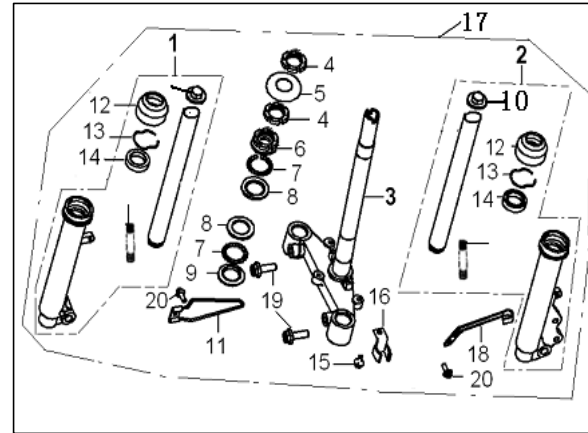
NO.	CODE	DESCRIPTION	QTY.
1	40500BM0T000	LEFT HANDLE SWITCH ASSY.	1
2	40002BM0T000	LEFT LEVER	1
3	40004BMAT000	LEVER MOUNTING SCREW	1
4	B04000500065	NUT 5MM	1
5	91700BMAT000	STOP SWITCH ASSY.	1
6	40600BM0T000	RIGHT HANDLE SWITCH ASSY.	1
7	40610BM0T000	RIGHT HANDLE SWITCH	1
8	40620BM0T000	R. SWITCH FIXING SEAT	1
9	B02000502025	PAN HEAD SCREW 5X20MM	2
10	B02000502525	PAN HEAD SCREW 5X25MM	2
11	40510BM0T000	LEFT HANDLE SWITCH	1
12	40520BM0T000	L. SWITCH FIXING SEAT	1
13	B07000000505	SPRING WASHER 5MM	1



F03

FRONT FORK

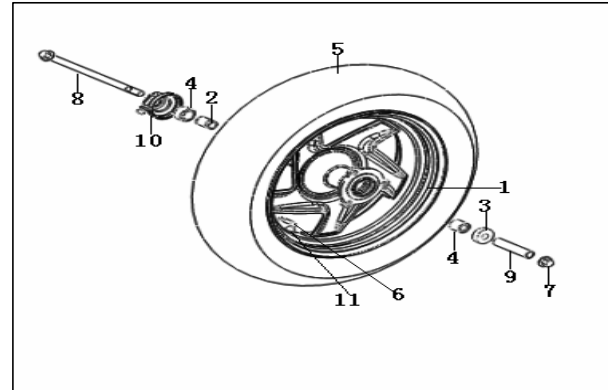
NO.	CODE	DESCRIPTION	QTY.
1	43300BMBT001	FR.R. FORK ASSY.	1
2	43200BMBT001	FR. L. FORK ASSY.	1
3	43100BMBT003	STEM, STEERING	1
4	43008BMBT000	NUT	2
5	43005BMBT001	BALL RACE COVER	1
6	43001BMBT002	BALL RACE, CONNECTING	1
7	B06010150000	STEEL BALLφ5 A SET OF 42	42
8	43003BMBT000	BALL RACE	2
9	43004BMBT000	BALL RACE	1
10	43204BMBT001	CAP BOLT	2
11	43150BMBT000	CLIP, SPEEDOMETER CABLE	1
12	43290K00P000	DUST SEAL	2
13	43207K00P000	CLIP	2
14	43260K00P000	OIL SEAL	2
15	B01090601265	BOLT 6X12MM	1
16	43035BMBT000	HOLDER, BRAKE HOSE 2	1
17	43000BMBT001	FRONT FORK ASSY.	1
18	43021BM0T003	HOLDER, BRAKE HOSE 1	1
19	B01091003065	BOLT 10X1.25X30MM	2
20	B01070601665	BOLT 6X16MM	2



F04

FRONT WHEEL

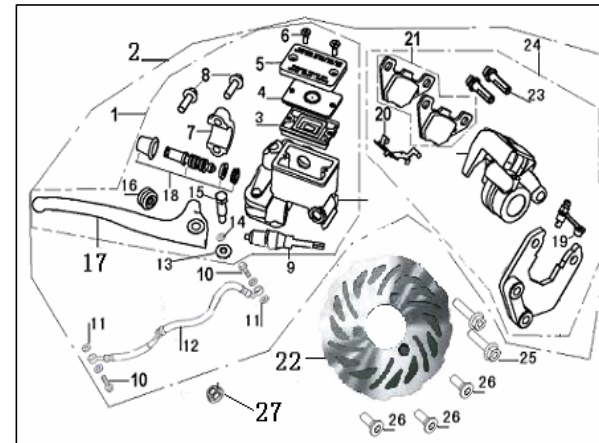
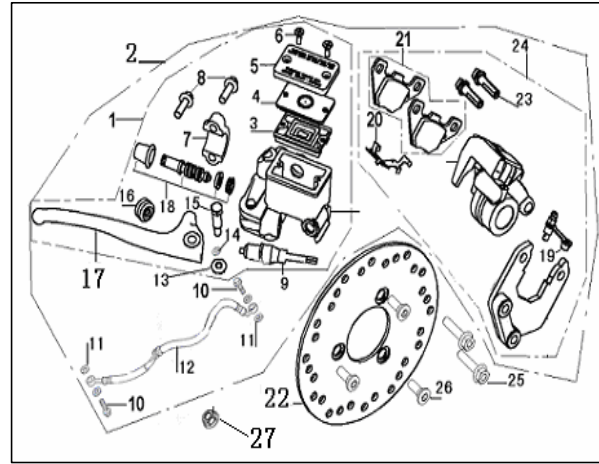
NO.	CODE	DESCRIPTION	QTY.	
1	44100BM0TBHA	FR. RIM COMP. 3.5X12" (BLACK BH) Alloy	1	for BA & CL vehicle
1	44100BM0TENA	FR. RIM COMP. 3.5X12" (BLUE EN) Alloy	1	for Blue EN vehicle
2	44600BM0T910	DISTANCE COLLAR COMP.	1	
3	44300BM0T000	OIL SEAL 22X35X7	1	
4	B12016020100	BALL BEARING 6201-2RS	2	
5	B140107D12AB	TIRE 120/70-12(E MARK)	1	
6	B1403Z201100	RIM VALVE Z2-01-1	1	
7	B04171212563	U NUT 12X1.25MM	1	
8	44004G4CT000	FR.WHEEL AXLE	1	
9	44005BM0T000	COLLAR	1	
10	44200BM0TEN0	SPEEDOMETER GEAR COMP. BLUE EN (45KM)	1	45KM/H,for Blue EN vehicle
10	44200BM0TBH0	SPEEDOMETER GEAR COMP. BLACK BH (45KM)	1	45KM/H,for BA&CL vehicle
10	44200J5BTEN0	SPEEDOMETER GEAR COMP. BLUE EN(25KM)	1	25KM/H,for Blue EN vehicle
10	44200J5BTBH0	SPEEDOMETER GEAR COMP. BLACK BH(25KM)	1	25KM/H,for BA&CL vehicle
11	B1404Z2011C0	CAP, VALVE	1	



F05

FRONT DISK BRAKE

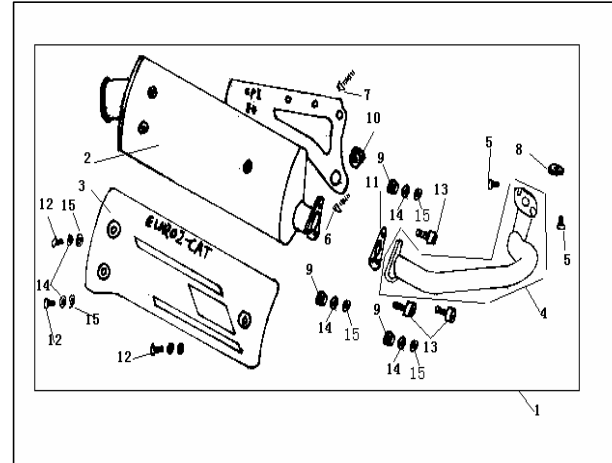
NO.	CODE	DESCRIPTION	QTY
1	45400BMBTB30	CYLINDER COMP.(BLACK)	1
2	45000J4FTRN0	DISC BRAKEASSY,FR.(U P BLACK, DOWN RED)	1
3	45011J1DT000	RESERVOIR DIAPHRAGM	1
4	45013J1DT000	WASHER, CYLINDER	1
5	45012BMBT000	RESERVOIR CAP	1
6	B02010401025	FLAT HEAD SCREW 4X10MM	2
7	45023J1DT000	MASTER CYLINDER BRACKET	1
8	B01070602365	BOLT 6X23MM	2
9	45300J3AT000	STOP SWITCH ASSY.	1
10	45037J00P000	UNION BOLT	2
11	45029J00P000	PLATE WASHER	4
12	45200BMBT000	FR. BRAKE HOSE	1
13	B04160600065	NUT 6MM	1
14	B07000000605	SPRING WASHER 6MM	1
15	45024J1CT000	BOLT M6	1
16	45057G0KP000	TENSION SPRING,LEVER	1
17	45022J3AT000	DISC BRAKE LEVER	1
18	45140J00P000	PISTON ASSY.	1
19	45021J00P000	BREED SCREW CAP	1
20	45017G0CP000	PAD SUPPORT	1
21	45110J4FT000	BRAKE PAD KIT	1 pair
22	45033BMBTC20	BRAKE DISC(SILVER),old round type	1 45km/25km-1D
22	45033BMBT001	BRAKE DISC(SILVER), undee/flower type	1 45KM-2A/2B
23	45053G0CP000	GUIDE POLE	2
24	45500J4FTRN0	CALIPER ASSY. (RED)	1
25	45039J4FT000	BOLT 8X36MM	2
26	45036BMAT000	BOLT	3
27	B04171012563	U NUT 10X1.25MM	3



F06/1

(45KM) MUFFLER<OLD COLUMNAR TYPE>

NO.	CODE	DESCRIPTION	QTY	
1	47000BMBT00A	MUFFLER ASSY.(with catalyzer,steel canister,45km/h)	1	45km/h
2	47200BMBT005	MUFFLER JOINTING COMP.(with catalyzer,steel canister)	1	
3	47023BMBT000	MUFFLER COVER, DECORATION	1	
4	47500BMBT000	EXHAUST PIPE COMP. 45KM	1	
5	B01090601665	BOLT 6X16MM	2	
6	B01090803565	BOLT 8X35MM	1	
7	B01090802065	BOLT 8X20MM	1	
8	47800B00T000	GROMMET, EXHAUST PIPE	1	
9	B04000600060	NUT 6MM	3	
10	47740B0ET000	WASHER ASSY., FIXING	1	
11	47490BMBT000	GASKET, FLANGE	1	
12	B02000601060	SCREW 6X10MM	3	
13	B02050602560	SCREW 6X25MM	3	
14	B07000000600	SPRING WASHER 6MM	6	
15	B07030000600	WASHER 6MM	6	
tunin	47500BMBT002	EXHAUST PIPE COMP	1	58km/h,full speed
funin	47490BMBT000	GASKET, FLANGE	1	
funin	47800B00T000	GROMMET, EXHAUST PIPE	1	

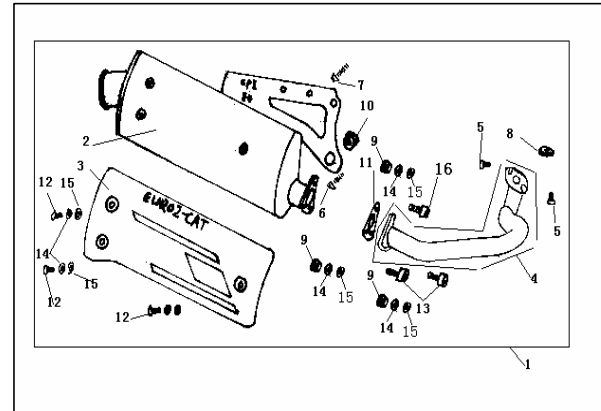


Attention The Page For 45km Edition

F06/2

(25KM) MUFFLER <OLD COLUMNAR TYPE>

NO.	CODE	DESCRIPTION	QTY	
1	47000BMBT00C	MUFFLER ASSY.(with catalyzer,steel canister,25km/h)	1	25km/h
2	47200BMBT005	MUFFLER JOINTING COMP.(with catalyzer,steel canister)	1	
3	47023BMBT000	MUFFLER.COVER, DECORATION	1	
4	47500BMBT003	EXHAUST PIPE COMP. (25KM)	1	25km/h
5	08001BM0T000	SCREW 6X16MM	2	
6	B01090803565	BOLT 8X35MM	1	
7	B01090802065	BOLT 8X20MM	1	
8	47800B00T000	GROMMET, EXHAUST PIPE	1	
9	B04000600060	NUT 6MM	3	
10	47740B0ET000	WASHER ASSY., FIXING	1	
11	47490BMBT000	GASKET, FLANGE	1	
12	B02000601060	SCREW 6X10MM	3	
13	B02050602560	SCREW 6X25MM	3	
14	B07000000600	SPRING WASHER 6MM	6	
15	B07030000600	WASHER 6MM	6	
16	08002BM0T001	SCREW M6X25	1	
tuning	47500BMBT002	EXHAUST PIPE COMP<full speed>	1	
g	47490BMBT000	GASKET, FLANGE	1	
parts	47800B00T000	GROMMET, EXHAUST PIPE	1	

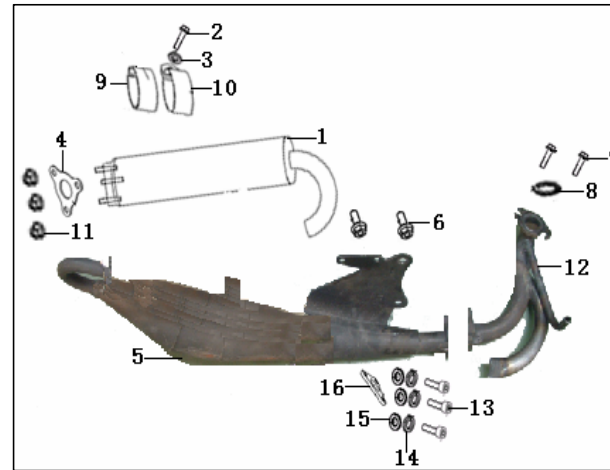


Attention The Page For 25km Edition

F06/3

SPORTY TYPE MUFFLER <45km/h>

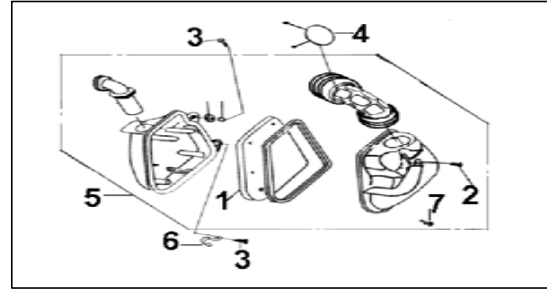
NO	CODE	EN DESCRIPTION	QTY	NOTES
1	48300BM0T000	MUFFLER ASSY.	1	
2	B01070601664	BOLT 6X16MM	1	
3	B07000000604	WASHER 6MM	1	
4	47490BM0T000	CUSHION	1	
5	47200BMMT004	MUFFLER ASSY.	1	with catalyzer
6	B01090801665	BOLT 8X16MM	2	
7	B01090601665	BOLT 6X16MM	2	
8	47800B0DT000	GASKET, EXHAUST PIPE	1	
9	47833B2GT005	ADIABATIC RUBBER	1	
10	48831B2GT005	MUFFLER HOOP	1	
11	B04070600064	NUT 6MM	3	
12	47500BM0T004	EXHAUST PIPE COMP. 45km	1	45km/h
13	B02050602560	SCREW M6X25	3	
14	B07000000600	SPRING WASHER 6	3	
15	B07030000600	WASHER 6	3	
16	47490BMBT000	GASKET,FLANGE	1	
tunin	47500BMBT005	EXHAUST PIPE COMP	1	full speed
g	47490BMBT000	GASKET,FLANGE	1	
parts	47800B00T000	GROMMET,EXHAUST PIPE	1	



F07/1 45KM/25KM

AIR CLEANER<WITHOUT SECONDARY INTAKE SYSTEM>

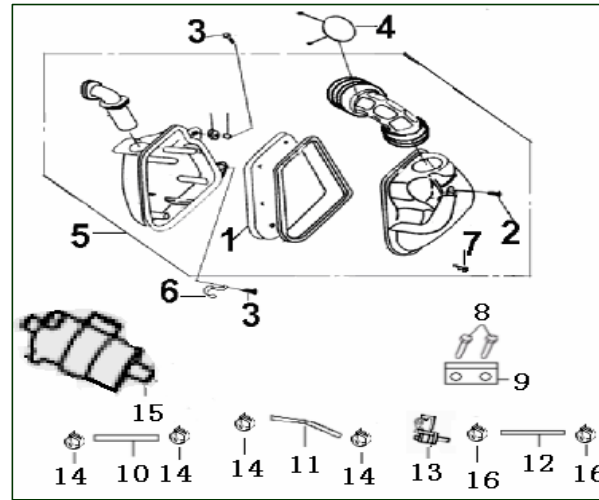
NO.	CODE	DESCRIPTION	QTY
1	49200BMBT000	FILTER	1
2	B05074202005	TAPPING SCREW 4.2X20MM	5
3	B01090602065	BOLT 6X20MM	2
4	49016BM0T000	CLIP 42.5	1
5	49000BMBT001	AIR CLEANER ASSY.	1
6	49371B0DT000	GUIDE, BRAKE CABLE	1
7	B05074201205	TAPPING SCREW 4.2X1.2MM	4



F07/2 45KM-2A/2B

AIR CLEANER<WITH SECONDARY INTAKE SYSTEM>

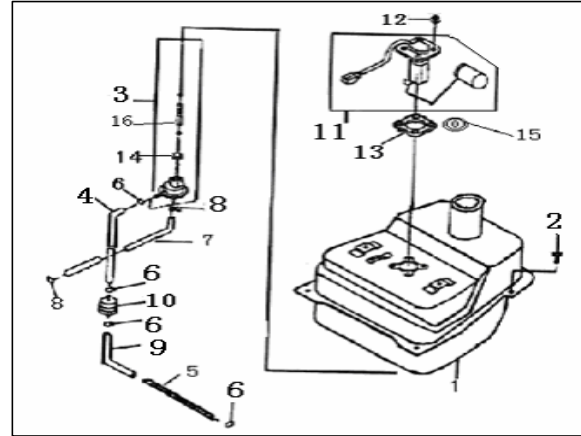
NO.	CODE	DESCRIPTION	QTY
1	49200BMBT000	FILTER	1
2	B05074202005	TAPPING SCREW 4.2X20MM	5
3	B01090602065	BOLT 6X20MM	2
4	49016BM0T000	CLIP 42.5	1
5	49000BMBT001	AIR CLEANER ASSY.	1
6	49371B0DT000	GUIDE, BRAKE CABLE	1
7	B05074201205	TAPPING SCREW 4.2X1.2MM	4
8	B01090601265	SCREW 6×12MM	2
9	57051B2GT000	PLATE, ONE WAY VALVE	1
10	49853BMMT000	HOSE II 210MM	1
11	49852BMMT000	HOSE I 250MM	1
12	49851BMMT001	HOSE 260MM	1
13	49840B0ES000	ONE WAY VALVE II	1
14	49805BMBT000	SPRING □, LOCK φ17.5	4
15	49870B2GT000	AIR CLEANER, SMALL	1
16	49855B0ES000	SPRING □, LOCK φ16.5	2



F08

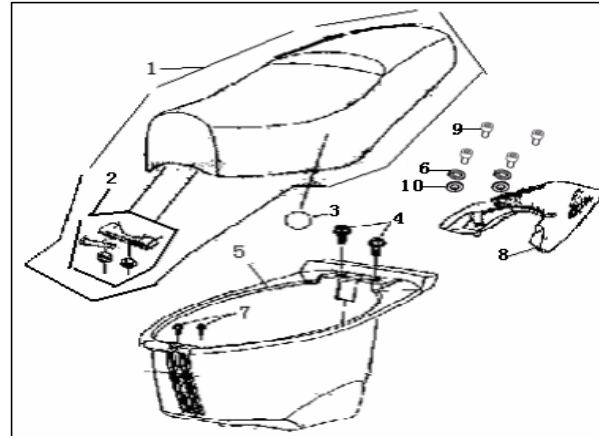
FUEL TANK

NO.	CODE	DESCRIPTION	QTY
1	50100BMBT002	FUEL TANK COMP.	1
2	B01090601665	BOLT 6X16MM	4
3	50300BM0T000	FUEL COCK ASSY.	1
4	50301BM0T000	FUEL HOSE 1,φ4.5Xφ8.5X80	1
5	50316BMBT000	SPRING(BLACK)	1
6	50307BM0T000	CLIPφ8	4
7	50302BM0T000	VACUUM HOSE,φ4Xφ8X360	1
8	50306BM0T000	CLIPφ7	2
9	50303BM0T000	FUEL HOSE 2,φ4.5Xφ8.5X250	1
10	50340J0ET000	FUEL FILTER ASSY.	1
11	50800BMBT000	SENDER UNIT	1
12	50801BM0T000	BOLT 5X16MM	4
13	50004BMBT000	SENDER UNIT GASKET	1
14	50312J0ET000	SEAL RING	1
15	B07020000505	WASHER 5MM	4
16	50352BM0T000	FUEL FILTER	1



F09
SEAT

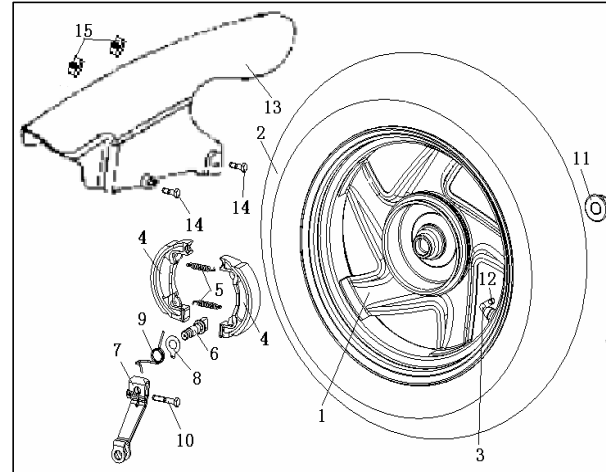
NO.	CODE	DESCRIPTION	QTY.
1	51100BMBT007	SEAT ASSY.	1
2	51080BMBT001	SEAT HINGE	1
3	08032BM0T000	O-RING 84.4X3.1	1
4	08011H60X000	BOLT 6X14MM	2
5	51004BMBT001	LUGGAGE BOX	1
6	B07030000805	WASHER 8MM	2
7	08017J4AT000	BOLT W/WASHER 6X20MM	2
8	52011BMKTBA0	RR.. CARRIER COMP (SATIN BLACK BA)	1 for R8 & BA vehicle
8	52011BMKTCL0	RR..CARRIER COMP (PLATINA CL)	1 for CL vehicle
8	52011BMKTCE0	RR.. CARRIER COMP (SILVER CE)	1 for Blue EN vehicle
9	B02050804565	SCREW 8X45MM	4
10	08027J4AT000	WASHER	2



F10

REAR WHEEL

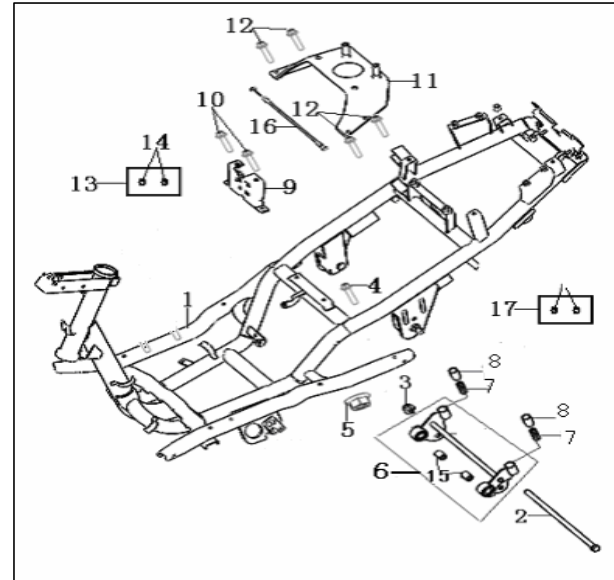
NO.	CODE	DESCRIPTION	QTY.
1	54100BM0TBH0	RR .RIMCOMP.3.5X12" (BLACK BH) steel	1 for BA & CL vehicle
1	54100BM0TR80	RR .RIMCOMP.3.5X12" (RED R8) steel	1 for Red R8 vehicle
1	54100BM0TEN0	RR .RIMCOMP.3.5X12" (BLUE EN) steel	1 for Blue EN vehicle
1	54100BM0TBHA	RR .RIMCOMP.3.5X12" (BLACK BH) alloy	1 for BA & CL vehicle
1	54100BM0TR8A	RR .RIMCOMP.3.5X12" (RED R8) alloy	1 for Reb R8 vehicle
1	54100BM0TENA	RR .RIMCOMP.3.5X12" (BLUE EN) alloy	1 for Blue EN vehicle
2	B140108D12BB	TIRE 130/70-12 (E MARK)	1
3	B1403Z201100	RIM VALVE Z2-01-1	1
4	54200BMBT000	BRAKE SHOE KIT	2
5	54001BMBT000	SPRING BRAKE SHOE	2
6	54003BM0T000	CAM SHAFT	1
7	54007BM0T000	CAM SHAFT LEVER	1
8	54002BM0T000	INDICATOR PLATE	1
9	54008BMBT000	TENSION SPRING	1
10	08012BM0T000	HEX. BOLT M6X30	1
11	B04171601563	U NUT 16X1.5MM	1
12	B1404Z2011C0	CAP, VALVE	1
13	65701BMBT000	REAR FENDER	1
14	B01090602065	BOLT 6X20MM	2
15	65803J0ET000	SPRING NUT M6	2



F11

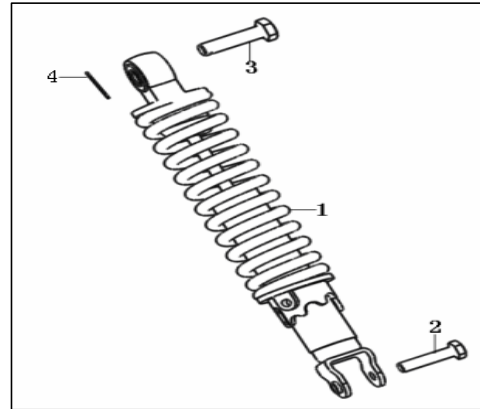
FRAME BODY

NO.	CODE	DESCRIPTION	QTY.
1	57100BMBT004	FRAME COMP.	1
2	58303BM0T000	E/G MOUNTING BOLT,M12X1.25X280	1
3	B04171212565	U NUT 12X1.25MM	1
4	58301BMBT000	E/G MOUNTING BOLT,	2
5	B04171012565	U NUT 10X1.25MM	2
6	58360BMBT000	E/G BRKT COMP.	1
7	58302B0DT000	DAMPER	2
8	58304BMBT000	SPRING	2
9	58800BM0T000	SEAT CATCH COMP.	1
10	B01090602565	BOLT 6X25MM	2
11	57080BMKT000	CARRIER BRACKET	1
12	B01090601265	BOLT 6X12MM	5
13	57001BMBT010	FRAME BODY NO. PLATE(45KM)	1 45KM/H;old<-1D>
13	57001BMBT014	FRAME BODY NO. PLATE(45KM)	1 45KM/H; new<-2A/2B>
13	57001BMBT012	FRAME BODY NO. PLATE(25KM)	1 25KM/H<-1D>
14	B100432007P0	RIVET 3.2X7MM	2
15	58350BMA T000	BUFFER, ENGINE BRACKET	2
16	58900BMBT000	SEAT CABLE	1
17	57002BMBT010	ANTI-TAMPERING PLATE	1 45KM/H;old<-1D>
17	57002BMBT014	ANTI-TAMPERING PLATE	1 45KM/H; new<-2A/2B>
17	57002BMBT012	ANTI-TAMPERING PLATE	1 25KM/H<-1D>



F12**REAR ABSORBER**

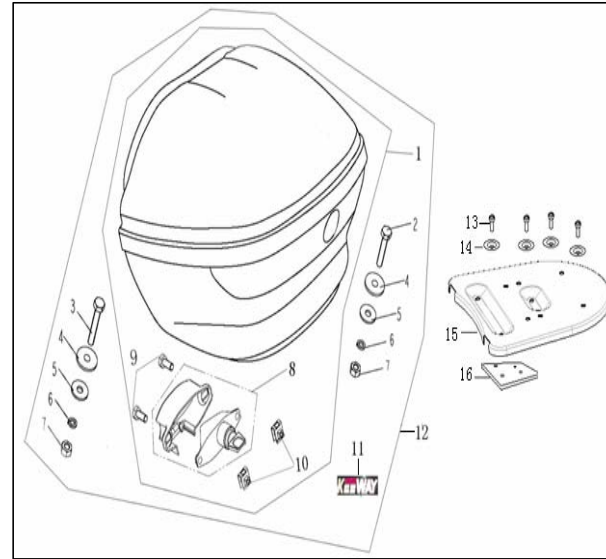
NO.	CODE	DESCRIPTION	QTY.
1	63100BM0TEN0	RR. ABSORBER COMP.(BLUE EN)	1 for Blue EN vehicle
1	63100BM0TR80	RR. ABSORBER COMP.(RED R8)	1 for Red R8 vehicle
1	63100BM0TBA0	RR. ABSORBER COMP.(SATIN-BLACK BA)	1 for Satin-black BA vehicle
1	63100BM0TBH0	RR. ABSORBER COMP.(BLACK BH)	1 for Platinum CL vehicle
2	63015J0ET000	FLANGE BOLT, 8X31MM	1
3	B01141004063	BOLT.W/HOLE 10X1.25X40MM	1
4	63016B0DT000	SPLIT PIN	1



F13

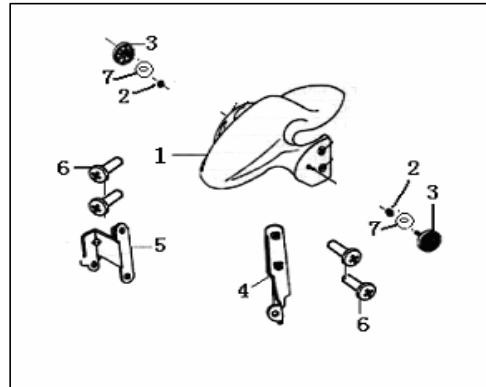
BACK BOX ASSY

NO.	CODE	DESCRIPTION	QTY.	
1	52210BMBTCL0	BACK BOX (PLATINA CL)	1	for CL vehicle
1	52210BMBTR80	BACK BOX (RED R8)	1	for R8 vehicle
1	52210BMBTEN0	BACK BOX (BLUE EN)	1	for EN vehicle
1	52210BMBTBA0	BACK BOX (SATIN BLACK BA)	1	for BA vehicle
2	B01010603033	BOLT 6X30MM	2	
3	B01010603533	BOLT M6X35	2	
4	52221BMBT000	WASHER	4	
5	B07020000603	WASHER 6MM	4	
6	B07000000603	SPRING WASHER 6MM	4	
7	B04000600043	NUT 6MM	4	
8	88600BMBT000	BACK BOX LOCK	1	
9	B01070601663	SCREW 6X16MM	2	
10	52910BMBT000	NUT CLIPPING 6MM	2	
11	05591BMBT000	BACK BOX COVER	1	
12	52200BMBTCL0	BACKBOXASS(PLATINA CL)	1	for CL vehicle
12	52200BMBTR80	BACK BOX ASSY (RED R8)	1	for R8 vehicle
12	52200BMBTEN0	BACK BOX ASSY (BLUE EN)	1	for EN vehicle
12	52200BMBTBA0	BACKBOXASSY(SATIN BLACK BA)	1	for BA vehicle
13	B01010601623	BOLT 6X16MM	4	
14	52221BMBT000	WASHER	4	
15	52180BMBT000	STORAGE BOX ASSY PLATE	1	
16	52222BMBT000	RUBBER MAT	1	



F14**FRONT FENDER**

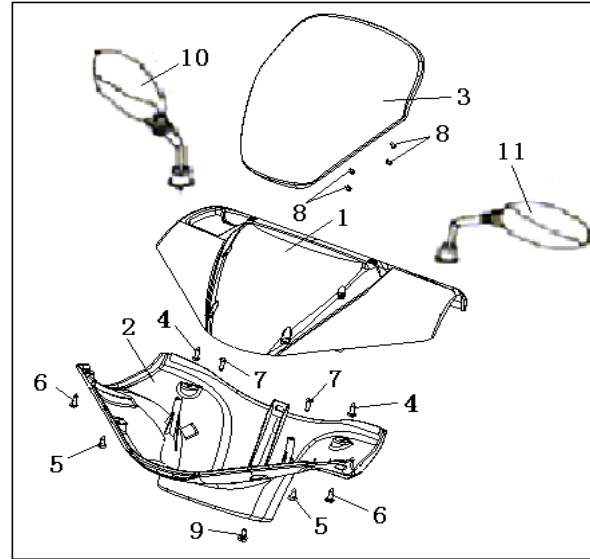
NO.	CODE	DESCRIPTION	QTY.
1	65101BMBTCE0	FRONT FENDER,(SILVER CE)	1 for Blue EN vehicle
1	65101BMBTCL0	FRONT FENDER (PLATINA CL)	1 for CL vehicle
1	65101BMBTBA0	FRONT FENDER, (SATIN BLACK BA)	1 for R8 & BA vehicle
2	B04000500063	NUT 5MM	2
3	86300BMMT000	FRONT REFLECTOR	2
4	65130BMBT000	FRONT FENDER BRACKET, 1	1
5	65140BMBT000	FRONT FENDER BRACKET, 2	1
6	65114BMBT000	SCREW W/WASHER M6X16	4
7	B07030000503	WASHER 5MM	2



F15

HANDLE COVER

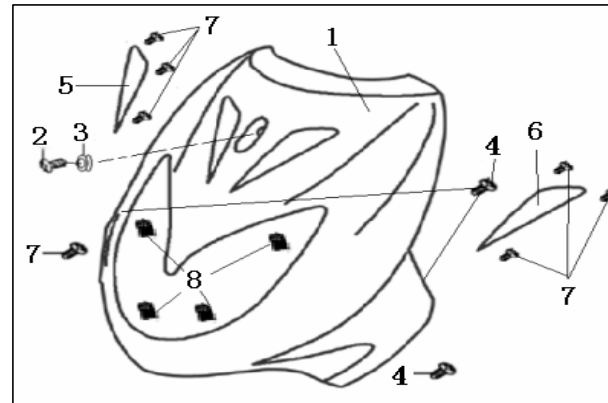
NO.	CODE	DESCRIPTION	QTY.
1	65201BMBTCE2	HANDLE COVER, 1, (SILVER CE)	1 for Blue EN vehicle
1	65201BMBTCL2	HANDLE COVER, 1, (PLATINA CL)	1 for CL vehicle
1	65201BMBTBA2	HANDLE COVER, 1, (SATIN BLACK BA)	1 for R8 & BA vehicle
2	65202BMBT000	HANDLE COVER, 2	1
3	65203BMBT000	METER VISION ASSY.	1
4	B05075001605	TAPPING SCREW 5X16MM	2
5	B05075001205	TAPPING SCREW 5X12MM	2
6	B05074001205	TAPPING SCREW 4X12MM	2
7	B05074001605	TAPPING SCREW 4X16MM	2
8	B05073001005	TAPPING SCREW 3X10MM	4
9	B13010501405	SCREW 5X14MM	1
10	40470BMBT000	REAR VIEW MIRROR ASSY., R(E-MARK(BLACK))	1
11	40460BMBT000	REAR VIEW MIRROR ASSY., L(E-MARK(BLACK))	1



F16

FRONT COVER

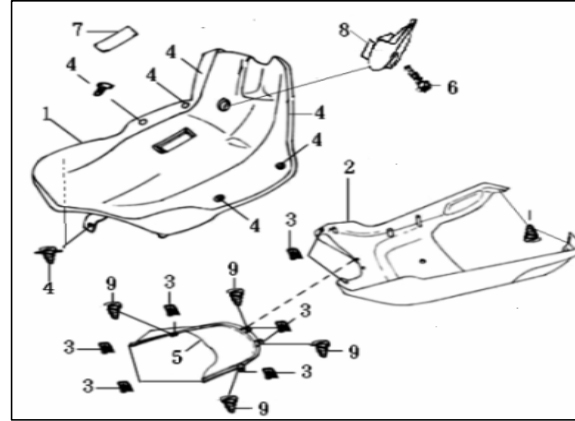
NO.	CODE	DESCRIPTION	QTY.
1	65301BMBTCLA	LEG SHIELD, (PLATINA CL)	1 for CL vehicle
1	65301BMBTR8A	LEG SHIELD, (RED R8)	1 for R8 vehicle
1	65301BMBTENA	LEG SHIELD, (BLUE EN)	1 for EN vehicle
1	65301BMBTBAA	LEG SHIELD, (SATIN BLACK BA)	1 for BA vehicle
2	65314BMBT000	SCREW	1
3	08027J4AT000	PLASTIC WASHER	1
4	B05074201605	TAPPING SCREW 4.2X16MM	4
5	65367BMBT000	COVER R	1
6	65366BMBT000	COVER L	1
7	B05074001205	TAPPING SCREW 4X12MM	6
8	65801BMAT000	SPRING NUT 4MM	4



F17

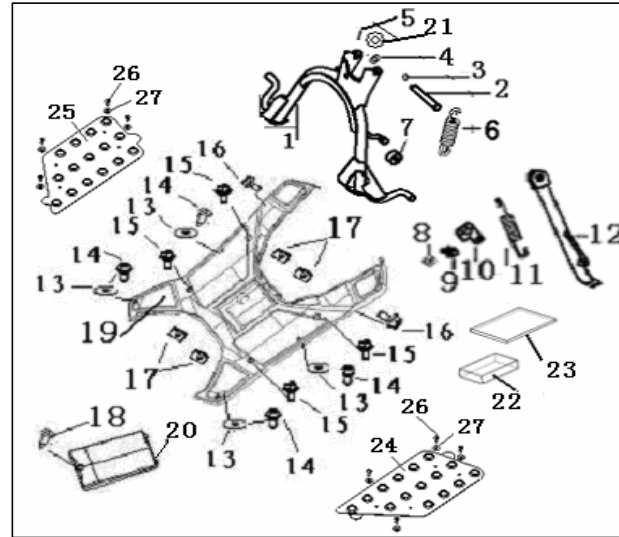
LEG SHIELD

NO.	CODE	DESCRIPTION	QTY.
1	65402BMBT000	LEG SHIELD, 2	1
2	65406BMBTBA0	UNDER COVER(BLACK BA)	1 for all color vehicle
3	65801BMAT000	SPRING NUT 4MM	8
4	B05074801605	TAPPING SCREW 4.8X16MM	8
5	65407BMKT000	INNER FENDER	1
6	B01090603065	BOLT 6X30MM	1
7	65403BMBT000	INSPECT COVER	1
8	51011BMBT000	HOOK, HELMET	1
9	B05074201605	TAPPING SCREW 4.2X16MM	8



**F18
FOOTREST/STAND**

NO.	CODE	DESCRIPTION	QTY.
1	58520BM0T002	MAIN STAND COMP.	1
2	58590BM0T000	PIN	1
3	B190101000A0	O-RING 10X1.8	1
4	58508B0DT000	PLATE WASHER	1
5	63016B0DT000	SPLIT PIN	1
6	58510BM0T000	MAIN STAND SPRING ASSY.	1
7	58507BM0T000	CUSHION, MAIN STAND	1
8	B04070800065	NUT 8MM	1
9	57005BMBT000	BOLT, SINGLE STAND	1
10	57006BM0T000	HOOK SPRING	1
11	57010BM0T000	SIDE STAND SPRING ASSY.	1
12	58700BM0T000	SIDE STAND COMP.	1
13	B07030000505	WASHER 5MM	4
14	B05074001605	TAPPING SCREW 4X16MM	6
15	08011H60X000	BOLT 6X14MM	4
16	B01090601265	BOLT 6X12MM	4
17	65802BMAT000	SPRING NUT 4.8MM	6
18	B05075001605	TAPPING SCREW 5X16MM	1
19	65401BMBT000	FLOOR, BLACK	1
20	65813BMBT000	BATTERY COVER	1
21	B070300001005	WASHER 10MM	1
22	65812BMBT000	BATTERY DAMPER II	1
23	65811BMBT000	BATTERY DAMPER I	1
24	65411BMBT000	FOOT PLATE, L	1 45KM/25KM-2A/2B
25	65412BMBT000	FOOT PLATE, R	1 45KM/25KM-2A/2B
26	B05004201304	SCREW 4.2X13MM	8 45KM/25KM-2A/2B
27	57031BMBT000	WASHER	8 45KM/25KM-2A/2B

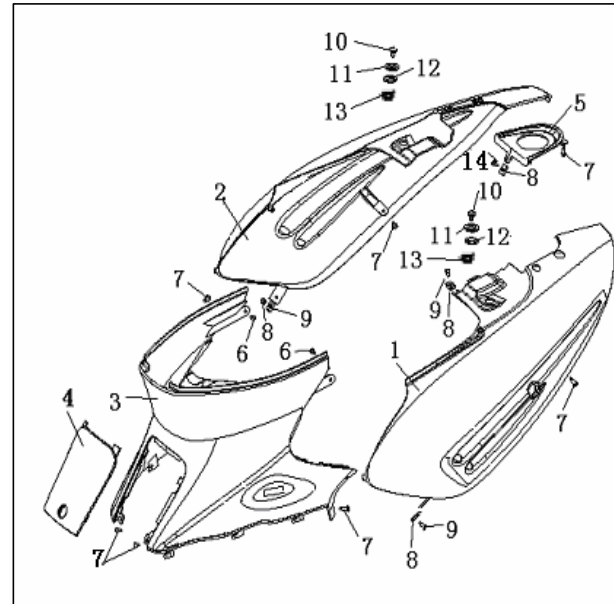


NOTES: WITHOUT ITEM 24,25,26,27 FOR OLD TYPE FACT50

F19

SIDE COVER

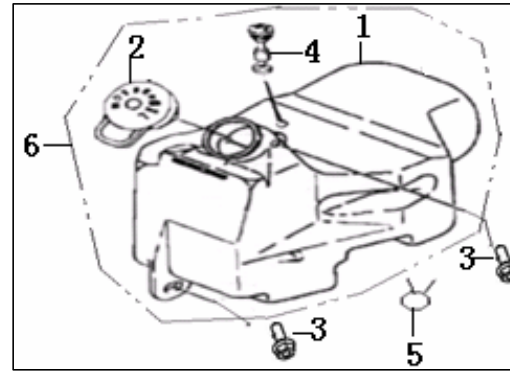
NO.	CODE	DESCRIPTION	QTY.	
1	65601BMBTCE0	SIDE COVER,1 (SILVER CE)	1	for Blue EN vehicle
1	65601BMBTCL0	SIDE COVER,1 (PLATINA CL)	1	for Platinum CL vehicle
1	65601BMBTBA0	SIDECOVER,1 (BLACK BA)	1	for R8 & BA vehicle
2	65602BMBTCE0	SIDE COVER, 2 (SILVER CE)	1	for Blue EN vehicle
2	65602BMBTCL0	SIDE COVER, 2(PLATINA CL)	1	for Platinum CL vehicle
2	65602BMBTBA0	SIDECOVER,2 (SATIN BLACK BA)	1	for R8 & BA vehicle
3	65605BMBT000	SIDE COVER, 3	1	
4	65619BMBT000	SIDE COVER, 4	1	
5	65606BMBTCE0	SIDE COVER, 5 (SILVER CE)	1	for Blue EN vehicle
5	65606BMBTCL0	SIDE COVER, 5 (PLATINA CL)	1	for Platinum CL vehicle
5	65606BMBTBA0	SIDE COVER,5 (SATIN BLACK BA)	1	for R8 & BA vehicle
6	B05074001205	TAPPING SCREW 4X12MM	2	
7	B05074801605	TAPPING SCREW 4.8X16MM	7	
8	65802BMAT000	SPRING NUT 4.8MM	4	
9	B05075001205	TAPPING SCREW 5X12MM	4	
10	B02000602025	SCREW 6X20MM	2	
11	08021BMBT000	WASHER	2	
12	65618J00P000	RUBBER WASHER	2	
13	65709BM0T000	BUSH, RR. FENDER	2	
14	B05074801305	TAPPING SCREW 4.8X13MM	1	



F20

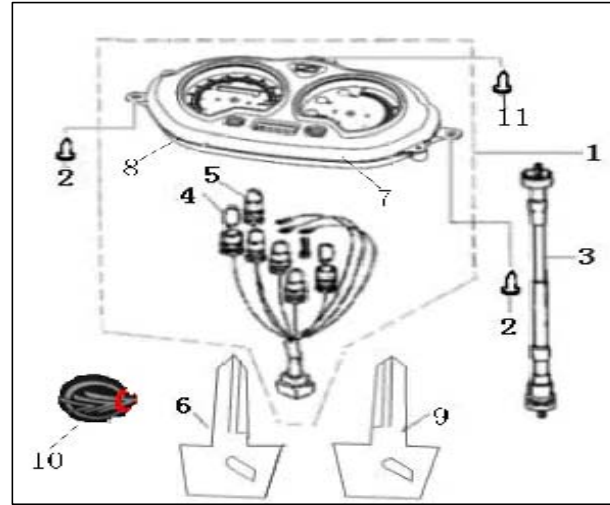
OIL TANK

NO.	CODE	DESCRIPTION	QTY.
1	64001BMAT000	OIL TANK	1
2	64090BMAT000	OIL TANK CAP	1
3	B01090601665	BOLT 6X16MM	2
4	64100BMAT000	OIL LEVER GAUGE ASSY.	1
5	50307BM0T000	CLIP $\phi 8$	1
6	64000BMAT000	OIL TANK ASSY.	1



**F21/1 45KM/25KM-1D & 45KM-2A
MECHANICAL SPEEDOMETER. TYPE**

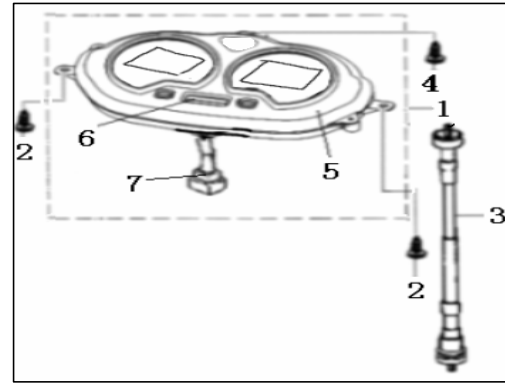
NO.	CODE	DESCRIPTION	QTY.
1	70000BMMTW63	SPEEDOMETER COMP.45KM VER	1 45km/h
1	70000BMMTW65	SPEEDOMETER COMP.25KM VER	1 25km/h
2	B05074001205	TAPPING SCREW 4X12MM	2
3	72900BMBT000	SPEEDOMETERCABLE COMP.	1
4	70001BMBT000	BULB 12V-3W	3
5	70036BMBT000	BULB 12V-2W	3
6	88900BMBT001	KEY NUT (RIGHT)	1
7	70003BMBT004	SPEEDOMETER COVER	1
8	76000BMBT001	DIGITAL WATCH	1
9	88900BMBT002	KEY NUT(LEFT)	1
10	05501J4HT000	STICK	1
11	B05074001205	TAPPING SCREW 4X12 MM	1



F21/2 45KM-2B

DIGITAL SPEEDOMETER.<LCD>

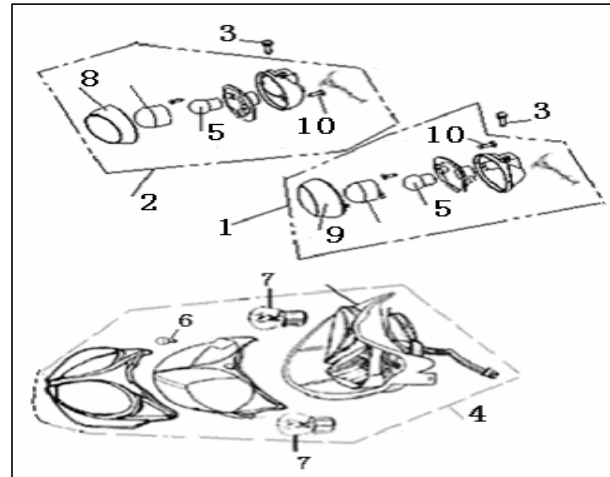
NO.	CODE	EN DESCRIPTION	QTY
1	70000BMBT017	SPEEDOMETER COMP.	1
2	B05074001205	SCREW 4X12MM	2
3	72900BMBT000	SPEEDOMETER CABLE COMP.	1
4	B05074001005	SCREW 4X10	1
5	70003BMBT002	SPEEDOMETER COVER	1
6	76000BMBT000	DIGITAL WATCH	1
7	75000BMBT007	SPEEDOMETER WIRE ASSY	1



F22

FLASHER LIGHT/HEAD

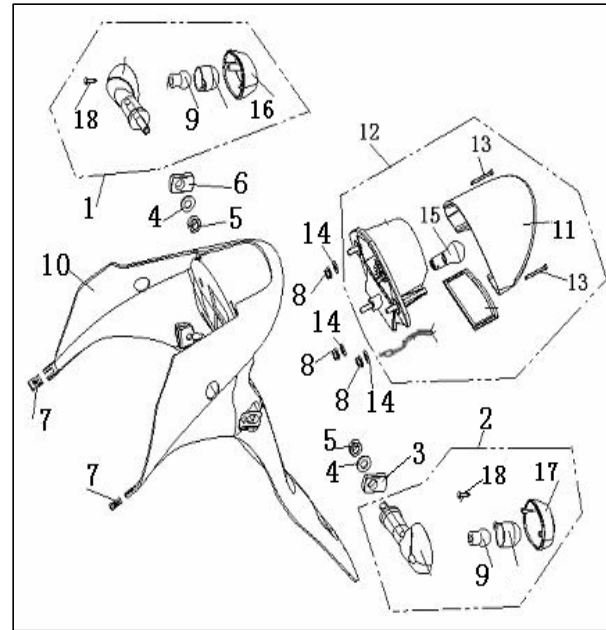
NO.	CODE	DESCRIPTION	QTY.
1	81100B20T001	FLASHER LIGHT ASSY., F..L. MARK:E3 50R-00 1024	1
2	81300B20T001	FLASHER LIGHT ASSY., F..R.MARK:E3 50R-00 1024	1
3	B13060501205	SCREW 5X12MM	2
4	80000J4AT000	HEAD LIGHT ASSY. (E MARK)	1
5	81004BMBT000	BULB, 12V/10W	2
6	70001BMBT000	BULB 12V-3W	2
7	80002B20T000	BULB 12V35/35W	2
8	81302B20T000	LIGHT COVER, R.	1
9	81102B20T000	LIGHT COVER, L.	1
10	08011B20T000	SCREW 3X28MM	2



F23

TAIL LIGHT

NO.	CODE	DESCRIPTION	QTY.
1	81700B20T001	TURN LIGHT,R,R.E-MARK: E3 50R-00 1024	1
2	81500B20T001	TURN LIGHT,R,L.MARK: E3 50R-00 1024	1
3	81511BM0T000	FLASHER LIGHT CUSHION L	1
4	B07030001005	WASHER 10MM	2
5	B04061012555	NUT 10X1.25MM	2
6	81708BM0T000	FLASHER LIGHT CUSHION R	1
7	65802BM0T000	SPRING NUT 5MM	2
8	B04070600065	NUT 6MM	3
9	81004BMBT000	BULB, 12V/10W	2
10	08202BM0T000	LICENSE BRACKET	1
11	82008BM0T003	INDICATOR LENS	1
12	82000BM0T001	TAIL LIGHT ASSY. (E MARK)	1
13	08009BM0T000	SCREW 4X28MM	2
14	82011G00P000	RUBBER WASHER	3
15	82005B20T000	BULB 12V 21/5W	1
16	81102B20T000	LIGHT COVER, L.	1
17	81302B20T000	LIGHT COVER, R.	1
18	08011B20T000	SCREW 3X28MM	2

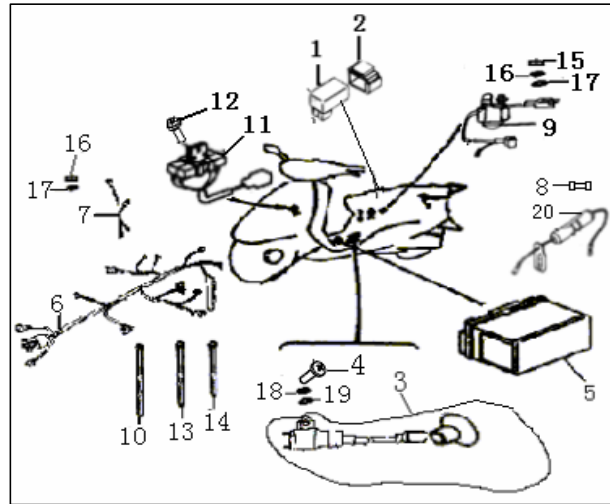


F24

ELECTRICAL EQUIPMENT

NO.	CODE	DESCRIPTION	QTY
1	97701BM0T001	C.D.I. UNIT COMP.	1
2	96007BM0T000	CUSHION. C.D.I	1
3	96200BMA T000	IGNITION COIL ASSY	1
4	B02000502025	SCREW 5X20MM	1
5	96100BM0T000	BATTERY ASSY. 12V,4AH	1
6	92000BMBT00A	WIRE HARNESS ASSY.	1
6	92000BMBT00H	WIRE HARNESS ASSY.(with waterproof socket)	1
6	92000BMBT00L	WIRE HARNESS ASSY.	1
7	96900BMBT000	WIRE HARNESS	1
8	96810BMA T000	FUSE 8A,250V	1
9	94000BMBT000	STARTER RELAY COMP.	1
10	96001K00P000	BAND 8X250	3
11	96600BMA T000	RESISTOR COMP.	1
12	B01090601265	BOLT 6X12MM	2
13	96003K00P000	BAND 8X200	3
14	96002K00P000	BAND 8X150	1
15	B04000600055	NUT 6MM	1
16	B07000000605	SPRING WASHER 6MM	2
17	B07030000605	WASHER 6MM	2
18	B07000000505	SPRING WASHER 5MM	1
19	B07030000505	WASHER 5MM	1
20	96800BMA T000	FUSE COMP	1

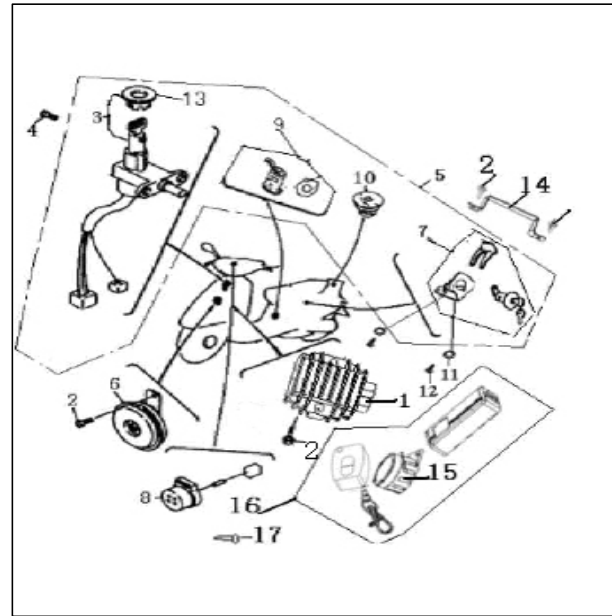
matching mechanical speedometer
 matching mechanical speedometer
 matching digital speedometer



F25

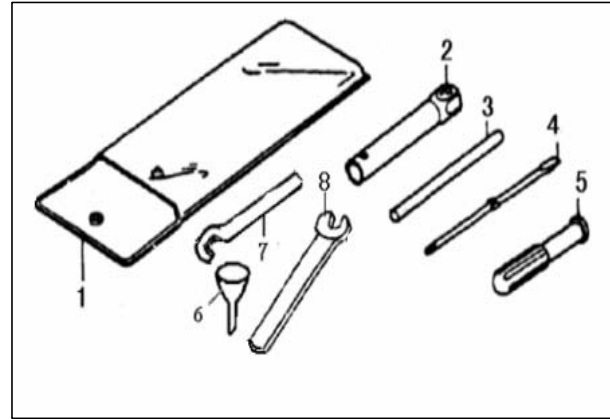
ELECTRICAL EQUIPMENT

NO.	CODE	DESCRIPTION	QTY.
1	98801J0ET000	REGULATOR COMP.	1
2	B01090601265	BOLT 6X12MM	4
	88100BMBT000	MAIN SWITCH ASSY.	1
3	88100BMBT00A	MAIN SWITCH ASSY.(with waterproof socket)	1
4	08002BMBT000	BOLT M6X12	2
5	88000BMBT000	LOCK ASSY.	1
5	88000BMBT00A	LOCK ASSY.(with waterproof socket)	1
6	95000BMDT000	HORN (E MARK)	1
7	88800BMBT000	LOCK ASSY., SEAT	1
8	96500BM0T00B	FLASH&AUDIO PILOT COMP.	1
9	88500BMBT000	LOCK, COVER	1
10	88400BMBT000	LOCK ASSY., FUEL TANK	1
11	B07030000505	WASHER 5MM	2
12	B05074001005	TAPPING SCREW 4X10MM	2
13	88101BMBT000	COVER MAIN SWITCH	1
14	95701JCCT000	BAKT ALARMSYSTEM	1
15	95730BMBT002	ALARM SYSTEM HORN	1
16	95700BMBT002	ALARM ASSY.	1
17	B05074801305	TAPPING SCREW 4.8X13MM	1



F26**TOOL KIT**

NO.	CODE	DESCRIPTION	QTY.
1	02110BM0T000	TOOL BAG	1
2	02102BM0T000	SPARK PLUG SOCKET	1
3	02101BM0T000	SPARK PLUG SOCKET HANDLE	1
4	02103BM0T000	SCREW DRIVER	1
5	02104BM0T000	HANDLE	1
6	02114BM0T000	FILTER, OIL TANK	1
7	02115BM0T000	RR. ABSORBER ADJUSTER	1
8	02117BMBT000	WRENCH 35	1



F27

STICKER

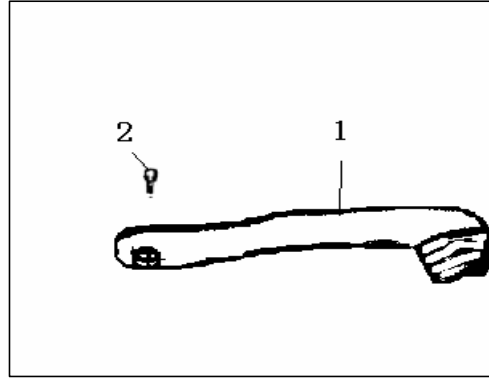
NO.	CODE	DESCRIPTION	QTY.
1	05526BMBTCL7	STICKER UPPER FRONT COVER,RH PLATINA	1
1	05526BMBTR87	STICKER UPPER FRONT COVER RH RED	1
1	05526BMBTEN7	STICKER UPPER FRONT COVER RH BLUE	1
1	05526BMBTBA7	STICKER UPPER FRONT COVER RH BLACK	1
2	05527BMBTCL7	STICKER UPPER FRONT COVER LH PLATINA	1
2	05527BMBTR87	STICKER UPPER FRONT COVER LH RED	1
2	05527BMBTEN7	STICKER UPPER FRONT COVER LH BLUE	1
2	05527BMBTBA7	STICKER UPPER FRONT COVER LH BLACK	1
3	05528BMBTCL7	STICKER LOWER FRONT COVER LH PLATINA	1
3	05528BMBTR87	STICKER LOWER FRONT COVER LH RED	1
3	05528BMBTEN7	STICKER LOWER FRONT COVER LH BLUE	1
3	05528BMBTBA7	STICKER LOWER FRONT COVER LH BLACK	1
4	05529BMBTCL7	STICKER LOWER FRONT COVER RH PLATINA	1
4	05529BMBTR87	STICKER LOWER FRONT COVER RH RED	1
4	05529BMBTEN7	STICKER LOWER FRONT COVER RH BLUE	1
4	05529BMBTBA7	STICKER LOWER FRONT COVER RH BLACK	1
5	05518BMBTCL7	STICKER SIDE COVER,RH PLATINA	1
5	05518BMBTR87	STICKER SIDE COVER,RH RED	1
5	05518BMBTEN7	STICKER SIDE COVER,RH BLUE	1
5	05518BMBTBA7	STICKER SIDE COVER,RH BLACK	1
6	05519BMBTCL7	STICKER SIDE COVER,LH PLATINA	1
6	05519BMBTR87	STICKER SIDE COVER,LH RED	1
6	05519BMBTEN7	STICKER SIDE COVER,LH BLUE	1
6	05519BMBTBA7	STICKER SIDE COVER,LH BLACK	1
7	05541BMBT007	STICKER UNDER COVER	1
8	05524BMBTCL2	STICKER HANDLE COVER PLATINA	1
8	05524BMBTR82	STICKER HANDLE COVER RED	1
8	05524BMBTEN2	STICKER HANDLE COVER BLUE	1
8	05524BMBTBA2	STICKER HANDLE COVER BLACK	1
9	05525BMBT004	STICKER	1



F28

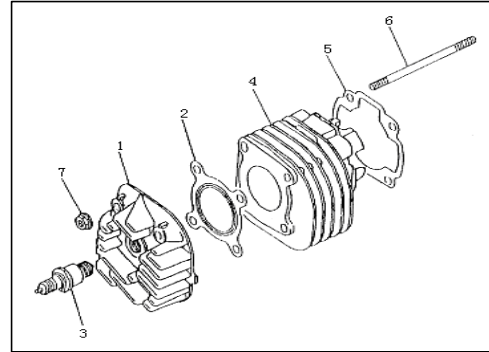
ENGINE ATTACHMENT

NO.	CODE	DESCRIPTION	QTY.
1	08351BM0TC10	STARTING SHAFT(SILVER)	1
2	B02050602565	SCREW 6X25MM	1



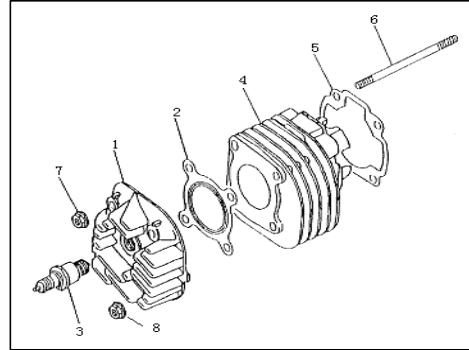
E01/1 CYLINDER HEAD ASSY 45KM

NO.	PART NO.	DESCRIPTION	QTY	NOTES
1	201200.066000	HEAD,CYLINDER	1	
2	30507B01F000	GASKET,CYLINDER HEAD	1	
3	201204.015000	SPARK PLUG	1	TYPE:BR7ES
4	204200.041000	CYLINDER	1	
5	204204.001000	GASKET CYLINDER	1	NON-ASBESTUS
6	26107B01F910	STUD BOLT	4	
7	304290700063	NUT	4	



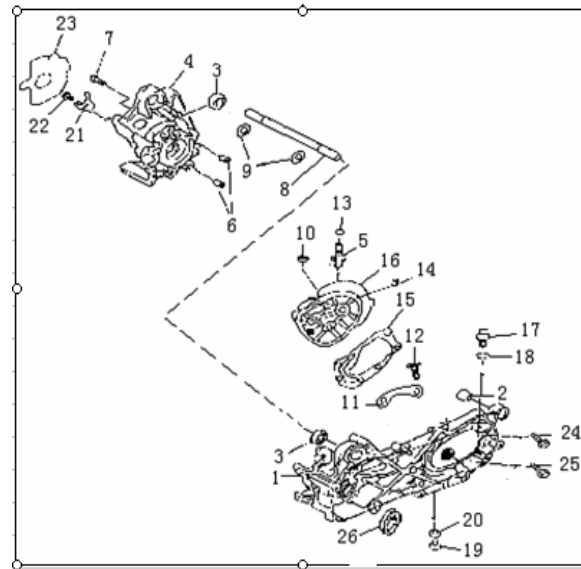
E01/2 CYLINDER HEAD ASSY 30KM

NO.	PART NO.	DESCRIPTION	QTY	RMK
1	201200.066000	HEAD CYLINDER	1	
2	30507B01F000	GASKET CYLINDER HEAD	1	
3	201204.015000	SPARK PLUG	1	TYPE:BR7ES
4	204200.041000	CYLINDER	1	
5	204204.001000	GASKET CYLINDER	1	NON-ASBESTUS
6	26107B01F910	STUD BOLT	4	
7	304290700063	NUT	3	
8	201334.001000	NUT	1	RESTRICTION



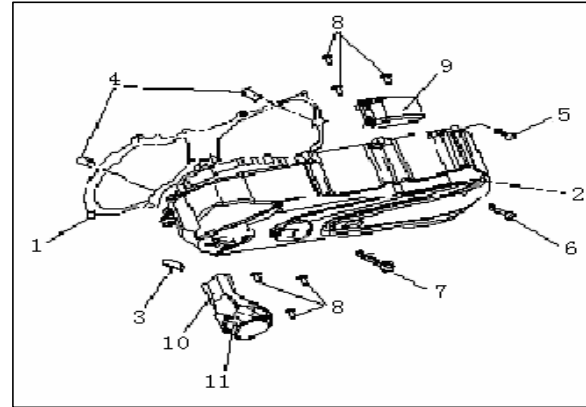
E02 CRANKCASE ASSY

NO.	PART NO.	DESCRIPTION	QTY	RMK
1	206200.057000	CRANKCASE,LH	1	
2	26108G02F000	BUSH,ENGINE MOUNTING	1	
3	B12016600300	BEARING	2	
4	26211B09F001	CRANKCASE,RH	1	
5	26142G02F000	BRAKE SHOE	1	
6	26123G02F000	DOWEL PIN	2	
7	301310603565	PAN HEAD SCREW	6	
8	26109B09F000	AXLE,engine mount	1	
9	B08010001700	CIRCLIP	2	
10	B04070812553	NUT	1	
11	26214B09F000	BEARING HOLDER	1	
12	B02000601262	PAN HEAD SCREW	2	
13	14222J01F000	O-RING	1	
14	26123G02F000	DOWEL PIN	2	
15	214201.004000	MISSION CASE GASKET	1	
16	18101B09F000	COVER, GEAR BOX	1	
17	206407.004081	OIL PLUG	1	
18	26102G02F000	O RING	1	
19	301310801605	FLANGE BOLT	1	
20	18105H03F000	PLATE WASHER	1	
21	26214G02F910	OIL SEAL HOLDER	1	
22	301310601263	PAN HEAD SCREW	1	
23	206321.001000	GASKET	1	
24	301310805565	SCREW M8X55	2	
25	301310805065	SCREW M8X50	5	
26	207234.001000	bush	1	



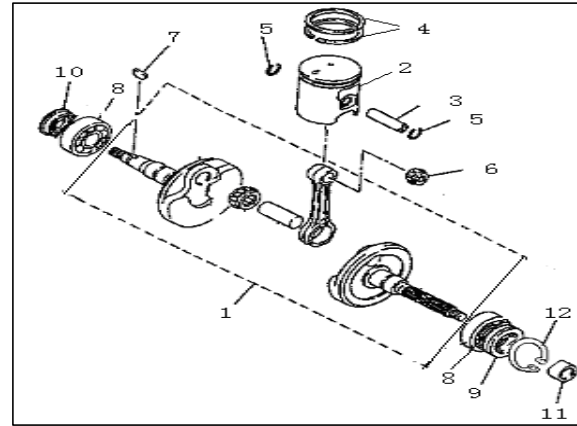
E03 SIDECOVER ASSY

NO.	PART NO.	DESCRIPTION	QTY	RMK
1	207208.017000	GASKET,L CRANKCASE	1	
2	207200.120082	L CRANKCASE COVER	1	KEEWAY
3	26128G02F000	IDLE GEAR	1	
4	26208J01F000	DOWEL PIN	2	
5	301310602565	PAN HEAD SCREW M6X25	8	
6	301310603565	PAN HEAD SCREW M6X35	1	
7	301310606565	PAN HEAD SCREW M6X65	1	
8	3052035014F5	SCREW ST3.5X14	6	
9	14149B09F000	AIR DUCT-OUTLET	1	
10	14148B09F000	AIR DUCT-INLET	1	
11	14150B09F000	FILTER ASSY	1	



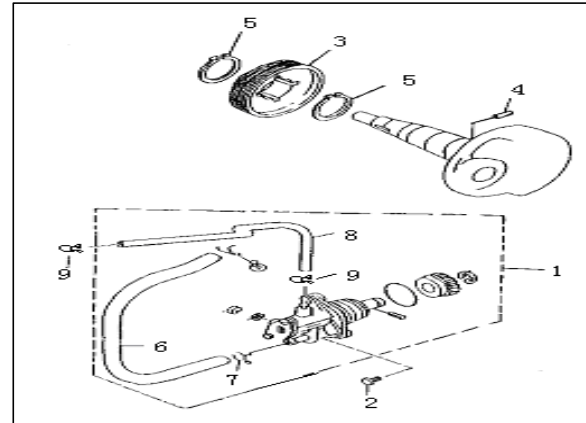
E04 PISTON CRANKSHAFT CONNECTING ROD ASSY

NO.	PART NO.	DESCRIPTION	QTY	RMK
1	208100.022000	CRANKSHAFT ASSY	1	
2	15100B09F000	PISTON ASSY	1	
3	15105B16F000	PISTON PIN	1	
4	15103B09F000	PISTON RING ASSY	2	
5	15111G02F000	CIRCLIP	2	
6	15110B16F000	NEEDLE BEARING	1	
7	15101B01F000	WOODRUFF KEY	1	
8	B12016620453	BEATRING	2	
9	15213G02F000	OIL SEAL	1	
10	26215G02F000	OIL SEAL ASSY	1	
11	15214G02F000	COLLAR	1	
12	17308G02F000	CIRCLIP	1	



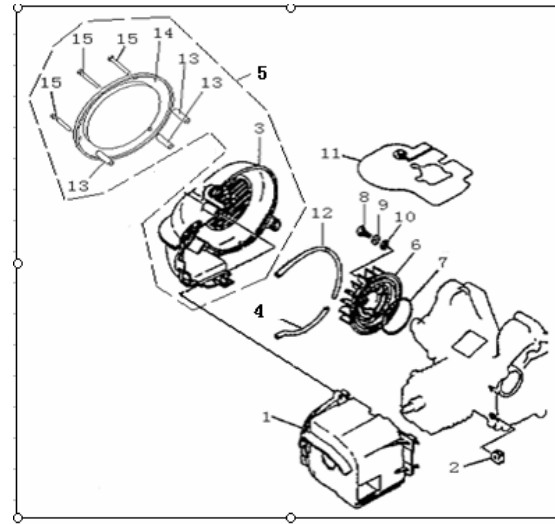
E05 OIL PUMP ASSY

NO.	PART NO.	DESCRIPTION	QTY	RMK
1	219101.008000	OIL PUMP ASSY	1	
2	B02000501463	SCREW	2	
3	15211G02F000	PUMP DRIVE GEAR	1	
4	B090103014C0	PIN	1	
5	15106G02F910	CIRCLIP	2	
6	221405.100000	HOSE,OIL INLET	1	
7	19213G02F00A	HOSE CLIP	2	
8	221405.101000	HOSE,OIL OUTLET	1	
9	19217G02F00A	HOSE CLIP	2	



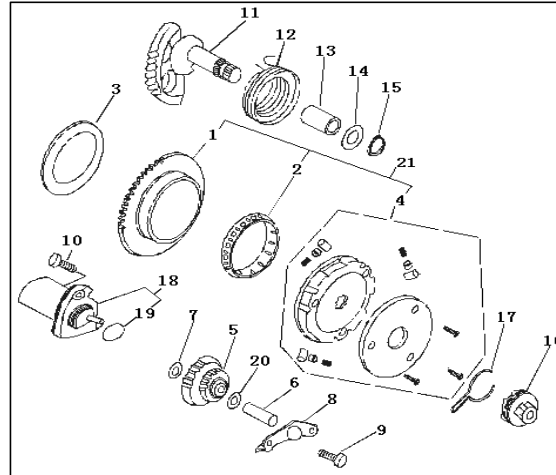
E06 AIR COOLING SYSTEM

NO.	PART NO.	DESCRIPTION	QTY	RMK
1	20301B01F000	COWLING,cylinder	1	
2	20303G02F000	GROMMET	2	
3	20201B09F000	COELING,fan	1	
4	20208G02F000	MOLD,cowling	1	
5	222103.014000	COELING ASSY,fan	1	
6	20401B01F000	FAN ASSY	1	
7	20402G02F000	RUBBER RING	1	
8	B02000601663	SCREW	3	
9	B07000000600	SPRING WASHER	3	
10	B07030000600	WASHER	3	
11	20102G02F000	PLATE	1	
12	20206G02F000	MOLD,cowling	1	
13	20208B09F000	COLLOR	3	
14	222304.101000	COVER	1	
15	B02000403524	SCREW	3	



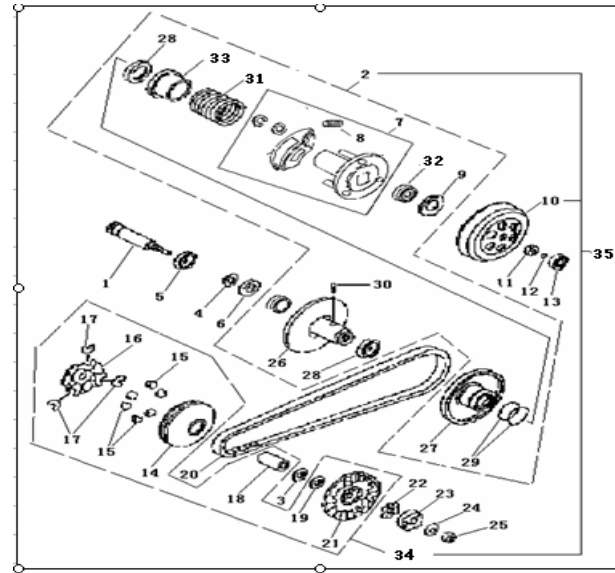
E07 KICK STARTER ASSY

NO.	PART NO.	DESCRIPTION	QTY	RMK
1	34120G02F000	START GEAR ASSY	1	
2	34121G02F000	NEEDLE BEARING	1	
3	34123G02F000	THRUST WASHER	1	
4	34110G02F00A	START HOLDER ASSY	1	
5	34126G02F000	DRIVEN GEAR,STARTER	1	
6	26128G02F000	IDLE GEAR SHAFT	1	
7	34122G02F000	PLATE WASHER	1	
8	34125G02F000	IDLE GEAR HOLDER	1	
9	B02000601063	SCREW	2	
10	302040602065	SCREW	2	
11	216100.003000	SHAFT, kick starter	1	
11	216100.004000	SHAFT, kick starter speed free	1	speed free
12	17407G02F000	SPRING	1	
13	216217.004000	BUSH	1	
13	216217.001000	BUSH speed free	1	speed free
14	307991005552	WASHER ,kick starter	1	
15	308090150003	CIRCLIP	1	
16	17415G02F000	KICK PINION ASSY	1	
17	17418G02F930	CLIP	1	
18	218100.017472	STARTING MOTOR ASSY	1	
19	B190102120B0	O-RING	1	
20	34130G02F000	PLATE WASHER	1	
21	217100.100000	START CLUTCH ASSY	1	

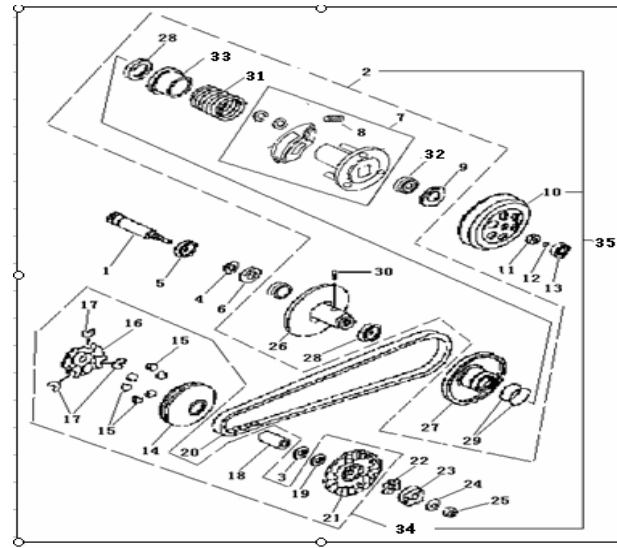


E08 CLUTCH ASSY

NO.	PART NO.	DESCRIPTION	QTY	RMK
1	24201B09F000	PRIMARY DRIVE SHAFT	1	
2	24200B01F000	DRIVEN PULLEY and CLUTCH ASSY	1	
3	24106B09F00F	WASHER(45KM)	1	WIDTH 3.2, 45KM/H
3	24106B09F00J	WASHER(30KM)	1	WIDTH 4, 30KM/H
3	24106B09F00E	WASHER(25KM)	1	WIDTH 8.2,25KM/H
4	B08010001700	CIRCLIP	1	
5	B12016620300	ROLING BEARING 6203	1	
6	24203B09F000	OIL SEAL	1	
7	24301B01F000	CLUTCH ASSY,shoe	3	
8	24302B01F000	SPRING	3	
9	24303G02F000	NUT	1	
10	24700G02F000	HOUSING	1	
11	24305G02F940	NUT	1	
12	24243G02F000	O-RING	1	
13	24209G02F000	BEARING 638Z	1	
14	24101B09F000	FACE,movable drive	1	
14	24101G02F000	FACE,movable drive (speed free)	1	speed free
15	213119.005000	ROLLER	6	6.3g
15	213119.012000	ROLLER(speed free)(1set 6pieces)	1	speed free

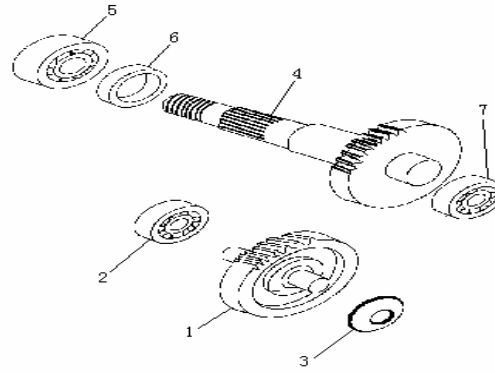


16	24103G02F000	PLATE,movable drive	1	
17	24104G02F000	DAMPER	3	
18	24105G02F000	COLLER	1	
19	24106B01F000	WASHER	1	
20	24107B01F000	V BELTDRIVE	1	
21	24108B09F000	FACEFIXED DRIVE	1	
21	24108G02F000	FACEFIXED DRIVE (speed free)	1	speed free
22	24109G02F000	PLATE WOODRUFF KEY	1	
23	213203.001161	STARTING DISC	1	
24	15112G02F010	WASHERSPRING	1	
25	B04031212553	NUT	1	
26	24204G02F000	FACEFIXED DRIVEN	1	
27	24205G02F000	FACEMOVABLE DRIVEN	1	
28	24206G02F000	OIL SEAL	1	
29	24207G02F000	O-RING	2	
30	24208G02F000	PIN GUIDE	2	
31	24308B01F000	SPRING	1	
32	24245G02F000	ROLLER BEARING	1	
33	24309G02F930	SEAT SPRING	1	
34	24100B09F000	DRIVE ASSY	1	
35	213100.022000	SHIFT ASSY(6.3g)	1	6.3g
35	213112.004000	SHIFT ASSY(6g)(speed free)	1	speed free



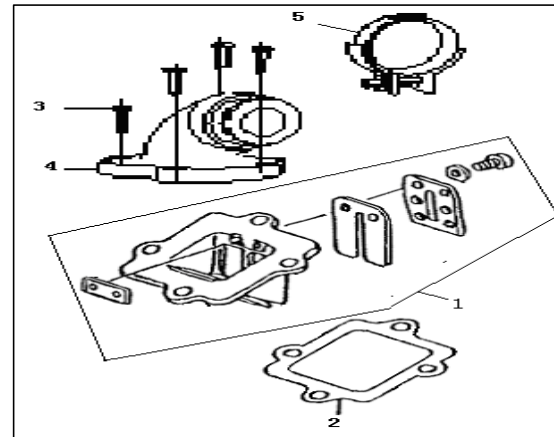
E09 TRANSMISSION SYSTEM ASSY

NO.	PART NO.	DESCRIPTION	QTY	RMK
1	17800B09F000	SHAFT IDLE	1	
2	B12016620000	BEARING 6200	1	
3	17732J01F000	WASHER thrust	1	
4	17300B09F000	SHAFT REAR BOX	1	
5	B12016600400	NEEDLE BEARING	1	
6	17317B09F000	OIL SEAL	1	
7	B12016620200	NEEDLE BEARING	1	



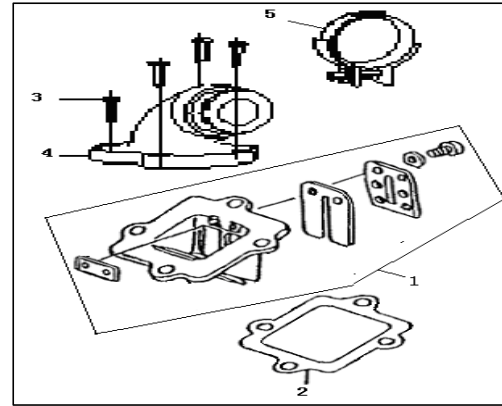
E10/1 REED VALVE ASSY 45KM

NO.	PART NO.	DESCRIPTION	QTY	RMK
1	32300G02F000	REED VALVE ASSY	1	
2	202306.002000	VALVE SEAT GASKET	1	
3	302040602065	SCREW	3	
4	32200G02F000	PIPE, intake	1	
5	202104.006472	CLIP	1	45km/h;free-speed
6	206412.001472	SCREW	1	



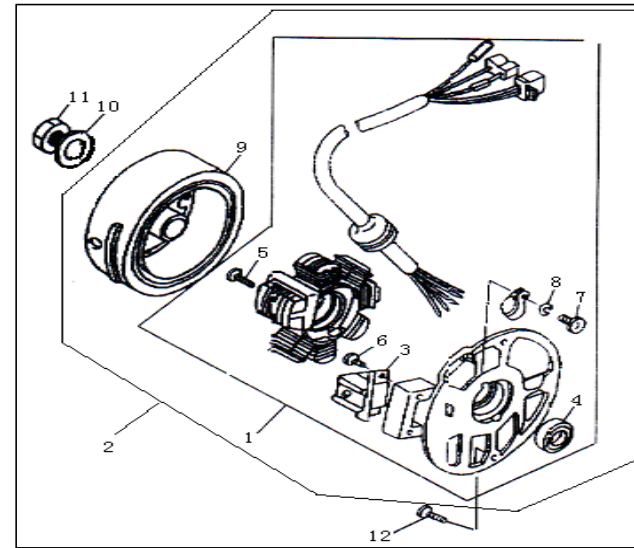
E10/2 REED VALVE ASSY 30KM

NO.	PART NO.	DESCRIPTION	QTY	RMK
1	32300G02F000	REED VALVE ASSY	1	
2	202306.002000	VALVE SEAT GASKET	1	
3	302040602065	SCREW	4	
4	32200G02F000	PIPE, intake	1	
5	202215.007994	CLIP	1	STAINLESS
6	206412.001472	SCREW	1	



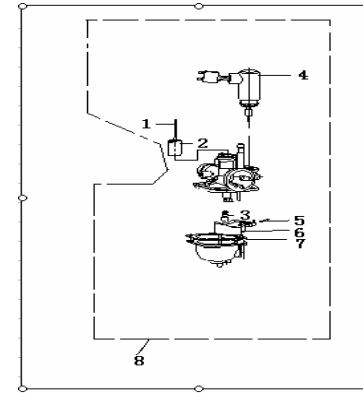
E11 MAGNETO ASSY

NO.	PART NO.	DESCRIPTION	QTY	RMK
1	223102.104000	COIL ASSY	1	
4	223100.101000	MAGNETO ASSY	1	
3	34330G02F000	PULSE TRIGGER	1	
2	34350G02F000	OIL SEAT	1	
5	B02000502522	SCREW	2	
6	B02000501262	SCREW	2	
7	B02000400622	SCREW	1	
8	B07000000400	SPRING WASHER	1	
9	223101.022000	FLY WHEEL ASSY	1	
10	B07030001200	WASHER	1	
11	15228H03F000	NUT	1	
12	B02270601664	NUT	2	



E12/1 CARBURETOR ASSY 45KM

NO.	PART NO.	DESCRIPTION	QTY	RMK
1	32510B01F000	NEEDLE, jet	1	
2	32511B01F000	VALVE, PISTON	1	45,30
3	224202.006000	JET, main	1	47.5#
4	32612B01F000	ENRICH VALVE	1	270
5	32619B01F000	PIN, float	1	
6	32620B01F000	FLOAT	1	
7	32701B01F000	GASKET	1	
8	224100.047000	CARBURETOR ASSY	1	MIKUNI



E12/2 CARBURETOR ASSY 30KM

NO.	PART NO.	DESCRIPTION	QTY	RMK
1	32510B01F000	NEEDLE, jet	1	
2	32511B01F000	VALVE, PISTON	1	
3	224202.101000	JET, main	1	45#
4	32612B01F000	ENRICH VALVE	1	270
5	32619B01F000	PIN, float	1	
6	32620B01F000	FLOAT	1	
7	32701B01F000	GASKET	1	
8	224100.108000	CARBURETOR ASSY	1	MIKUNI

