

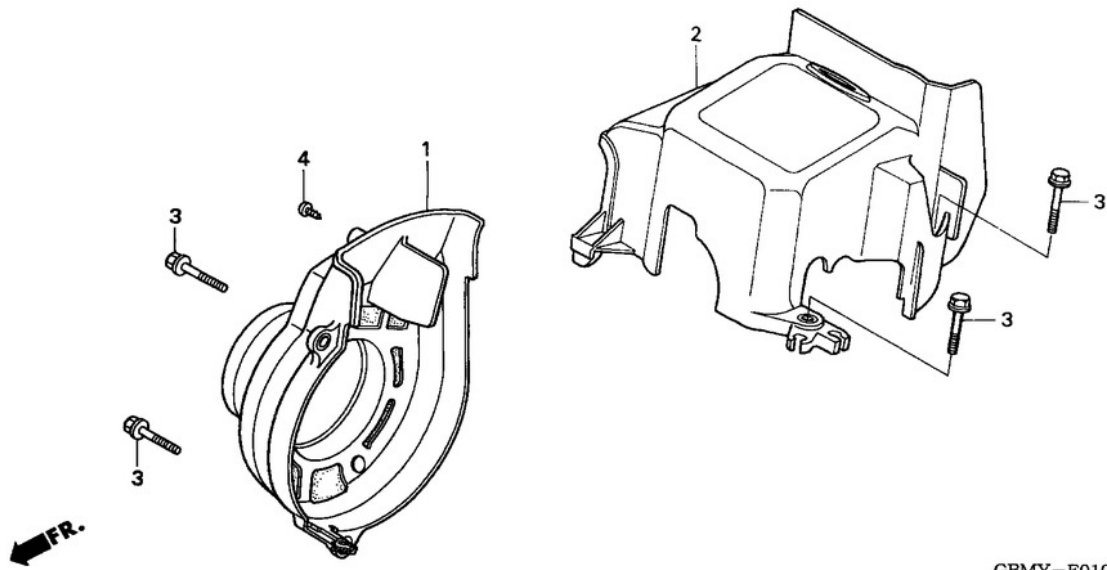


Honda SFX

Reservedelskatalog

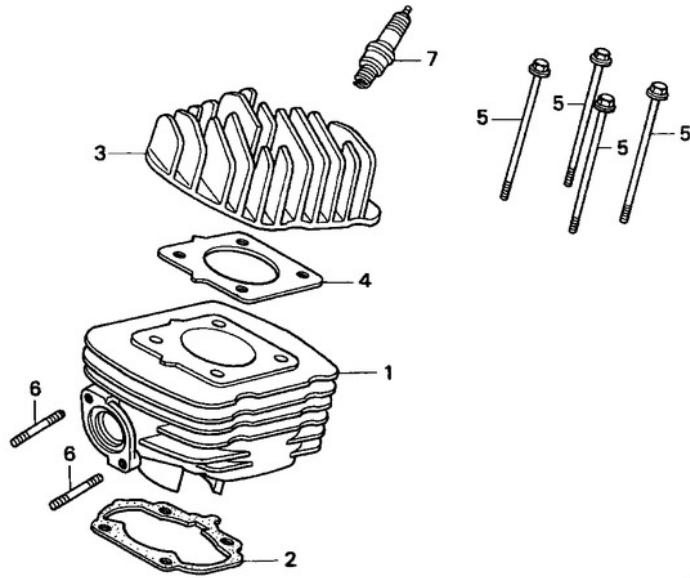


Nummer på delen.	Navn på delen.	Honda varenummer.	Pris i €. (CA)
------------------	----------------	-------------------	-------------------



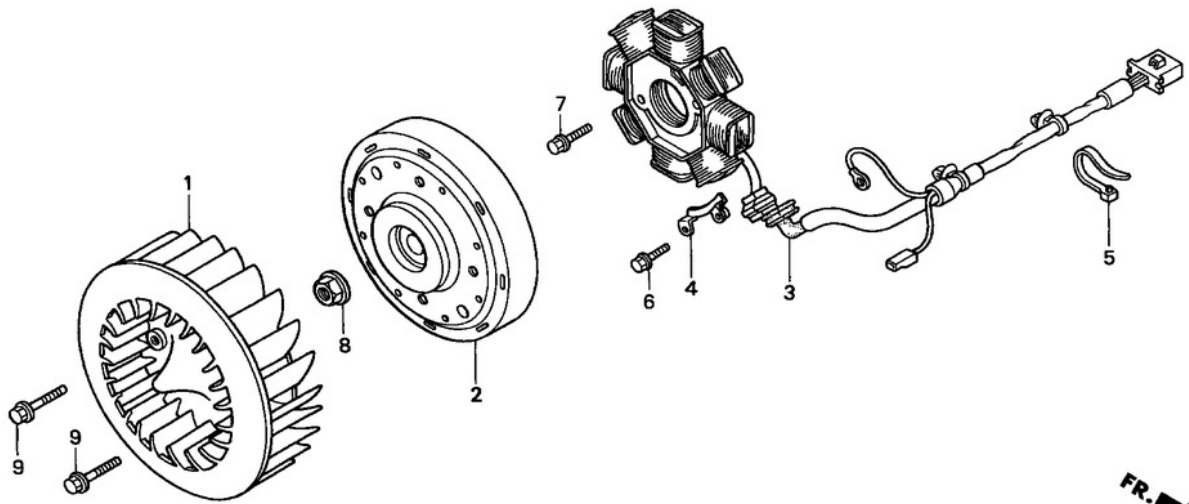
GBMY-E0100

1	COVER COMP., FAN	19600-GBM-850	35.08
2	SHROUD COMP.	19620-GAV-701	14.41
3	BOLT, 6X25	90003-GAV-701	1.75
4	SCREW, TAPPING, 4X16 (PO)	93913-24480	0.67



GBMY-E0200

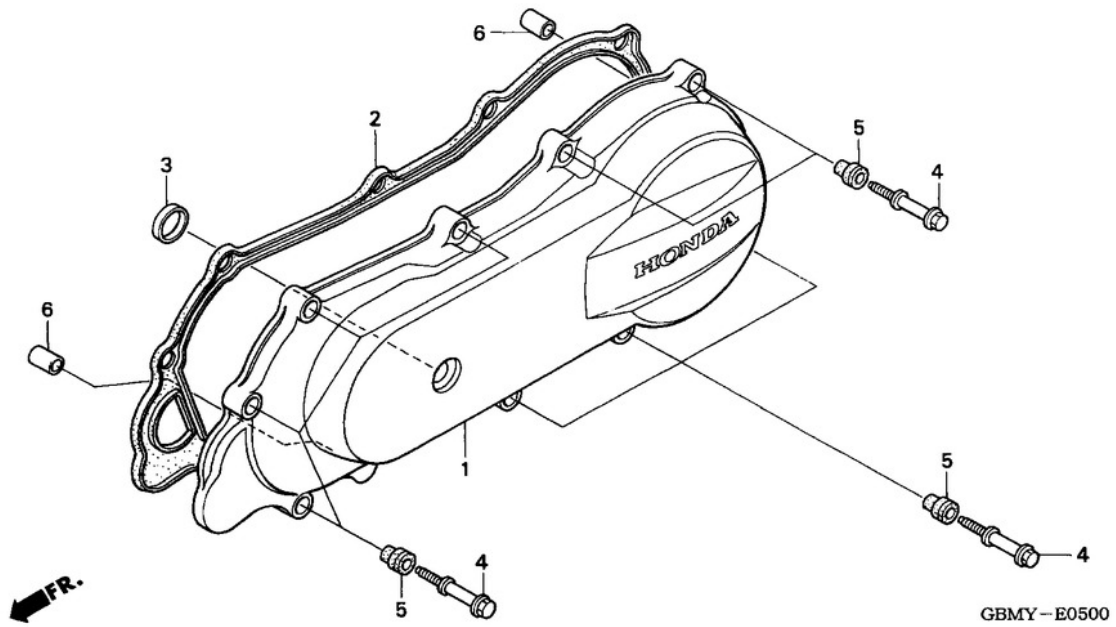
1	CYLINDER B	12102-GBM-850	212.49
2	GASKET, CYLINDER	12191-GBY-900	3.55
3	HEAD, CYLINDER	12201-GBM-850	92.38
4	GASKET, CYLINDER HEAD	12251-GAV-700	4.04
5	BOLT, FLANGE, 6X95	90001-GA7-000	2.69
6	BOLT, STUD, 6X28	92900-060181B	0.91
7	PLUG, SPARK (BR4HSA) (NGK)	98076-5471G	5.00
7	PLUG, SPARK (BR6HSA) (NGK)	98076-5671G	5.00
7	PLUG, SPARK (BR8HSA) (NGK)	98076-5871G	5.00
7	PLUG, SPARK (W14FR-L) (DENSO)	98076-54757	5.00
7	PLUG, SPARK (W20FR-L) (DENSO)	98076-5672G	4.66
7	PLUG, SPARK (W24FR-L) (DENSO)	98076-5872G	5.00



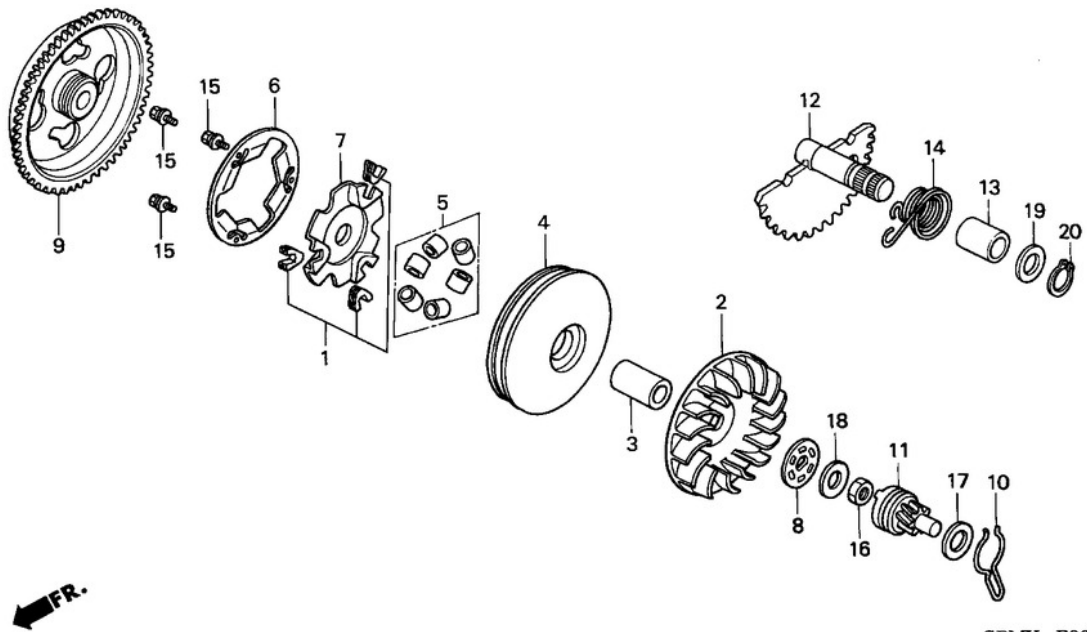
GBMY-E0300 **FR.** →

1	FAN COMP., COOLING	19510-GZ0-000	22.93
2	FLYWHEEL COMP. (MITSUBA)	31110-GBM-851	228.42
3	STATOR COMP. (MITSUBA)	31120-GBM-851	245.92
4	CLIP, A.C. GENERATOR CORD	32907-GBB-000	4.53
5	BAND, WIRE	61312-GBM-850	1.41
6	BOLT, 6X18	90002-GAV-701	1.89
7	BOLT, 6X25	90003-GAV-701	1.75
8	NUT, FLANGE, 10MM	94050-10000	2.14
9	BOLT, FLANGE, 6X16	96001-0601600	0.91

JBV JBV JBV

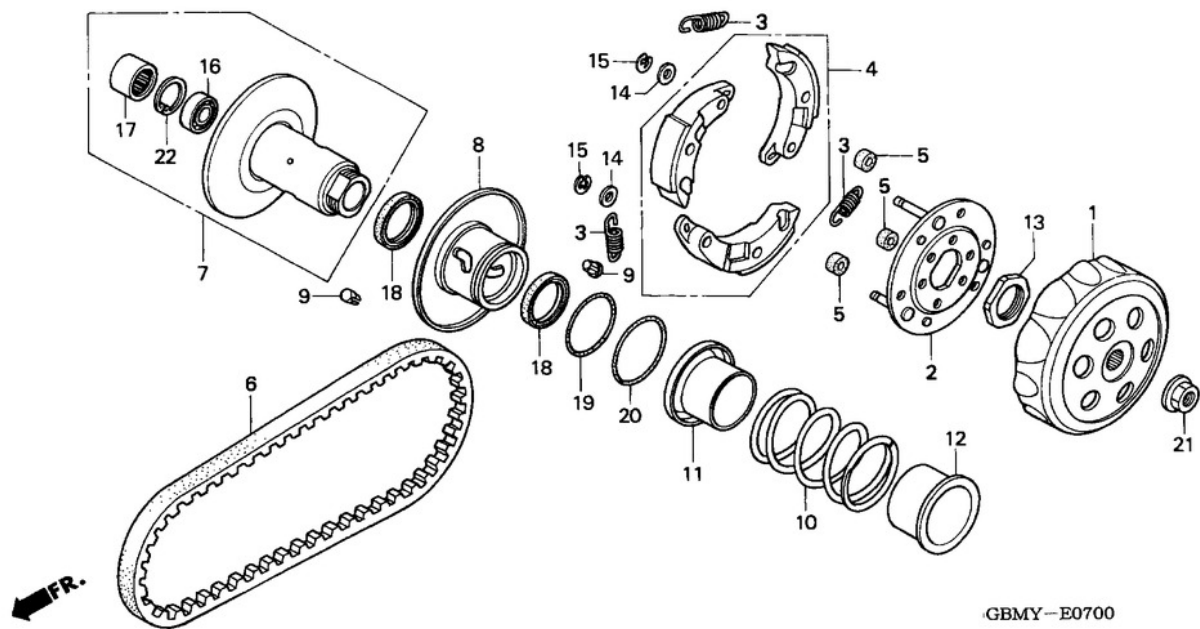


1	COVER, L. SIDE	11341-GAV-700	109.89
2	GASKET, L. COVER	11395-GAV-700	32.69
3	COLLAR, KICK BOSS	28255-GS6-000	3.06
4	BOLT ASSY., SPECIAL, 6X36	90009-GAH-A00	4.95
5	RUBBER, MOUNTING	90543-GAH-A00	2.22
6	DOWEL PIN, 10X20	94301-10200	1.54



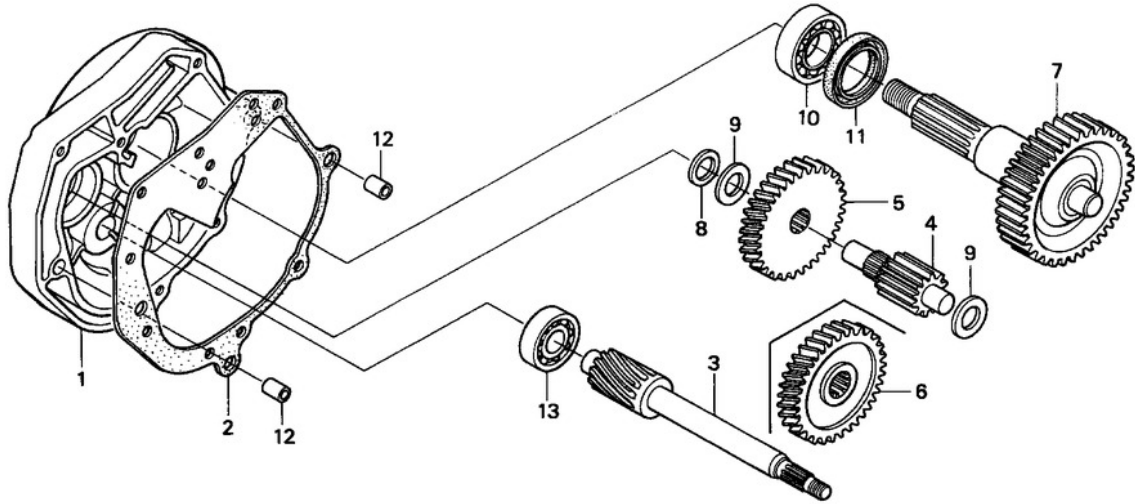
GBMY-E0600A

1	PIECE SET, SLIDE	22011-GW0-000	9.10
2	FACE, DRIVE	22102-GW2-010	36.29
3	BOSS, DRIVE FACE	22105-GR1-750	15.82
4	FACE COMP., MOVABLE DRIVE	22110-GAV-700	62.87
5	ROLLER SET, WEIGHT	22123-GG2-750	22.62
6	SEAL, MOVABLE FACE	22126-GBM-870	9.86
7	PLATE, RAMP	22131-GR1-750	20.49
8	RATCHET, STARTER	28211-GM9-000	9.75
9	GEAR COMP., STARTER DRIVEN (64T)	REF. -EPUISÉE	NA
10	SPRING, STARTER GEAR FRICTION	28223-GM9-010	4.33
11	GEAR COMP., KICK DRIVEN (7T)	28230-GN2-600	21.80
12	SPINDLE COMP., KICK STARTER (42T)	28250-GBY-900	104.08
13	BUSH, KICK SPINDLE (HITACHI FUNMATSU)	28253-GBL-003	6.28
14	SPRING, KICK RETURN (CHUO HATSUJO)	28281-GN2-602	9.44
15	BOLT-WASHER, 4X10	90005-GAH-600	1.94
16	NUT, HEX., 10MM	90308-GAH-000	1.91
17	WASHER, THRUST, 10MM	90412-329-000	2.75
18	WASHER, SPECIAL, 10X18	90426-GW0-730	2.48
19	WASHER, KICK SPINDLE	90451-GN2-600	2.74
20	CIRCLIP, EXTERNAL, 14MM	94511-14000	0.67



GBMY-E0700

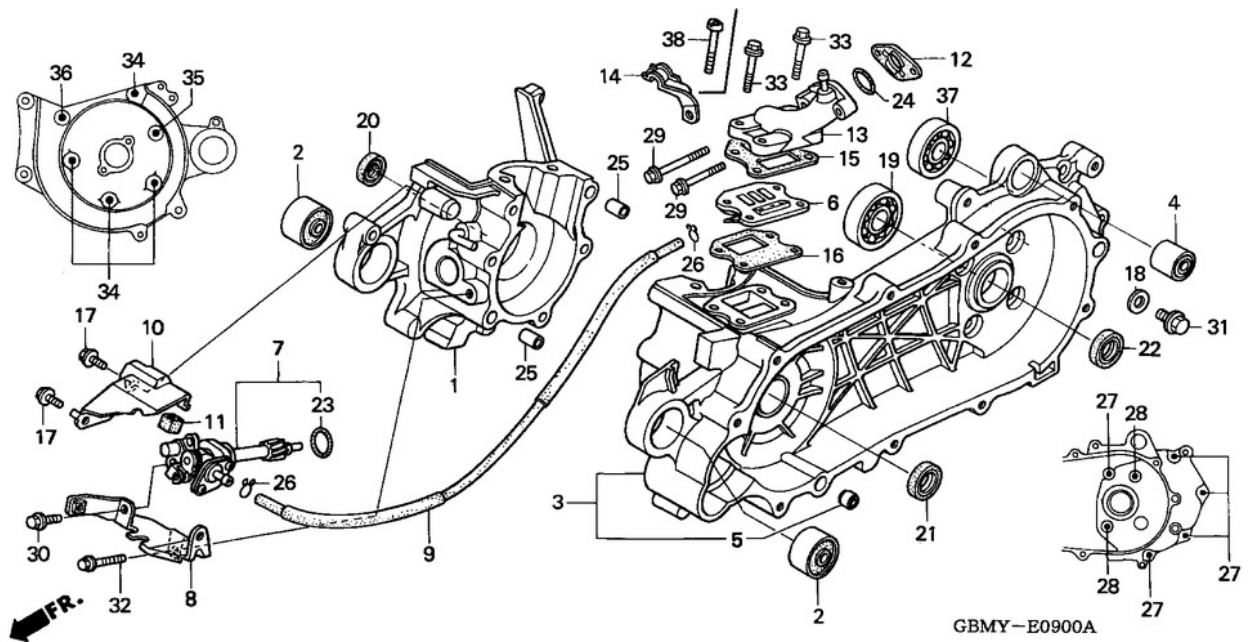
1	OUTER COMP., CLUTCH	22100-GW2-710	80.97
2	PLATE COMP., DRIVE	22350-GAH-A00	40.57
3	SPRING, CLUTCH	22401-GG2-900	3.29
4	WEIGHT SET, CLUTCH	22535-GAK-305	76.82
5	RUBBER, CLUTCH DAMPER	22804-148-000	2.13
6	BELT, DRIVE (BANDO)	23100-GW2-013	26.00
7	FACE SET, DRIVEN	23205-GAH-315	106.91
8	FACE COMP., MOVABLE DRIVEN	23220-GAK-901	64.69
9	PIN, GUIDE	23225-GR1-750	2.73
10	SPRING, DRIVEN FACE	23233-GM0-000	13.61
11	COLLAR, SEAL	23237-GR1-880	7.70
12	COLLAR, SPRING	23238-GS7-010	11.23
13	NUT, SPECIAL, 28MM	90202-187-000	5.31
14	WASHER, THRUST, 6MM	90442-044-000	2.70
15	CIRCLIP, 6MM	90454-GB2-000	1.24
16	BEARING, RADIAL BALL, 6901U (NACHI)	91001-GA7-701	11.60
17	BEARING, NEEDLE, 17X25X18 (NTN)	91103-GR1-003	11.70
18	OIL SEAL, 34X39X3 (ARAI)	91211-GK8-013	3.46
19	O-RING, 36X1.5	91301-GCG-931	4.17
20	O-RING, 39.8X2.2	91302-PA9-003	3.85
21	NUT, FLANGE, 10MM	94050-10000	2.14
22	CIRCLIP, INTERNAL, 24MM	94520-24000	0.91



FR.

GBMY-E0800

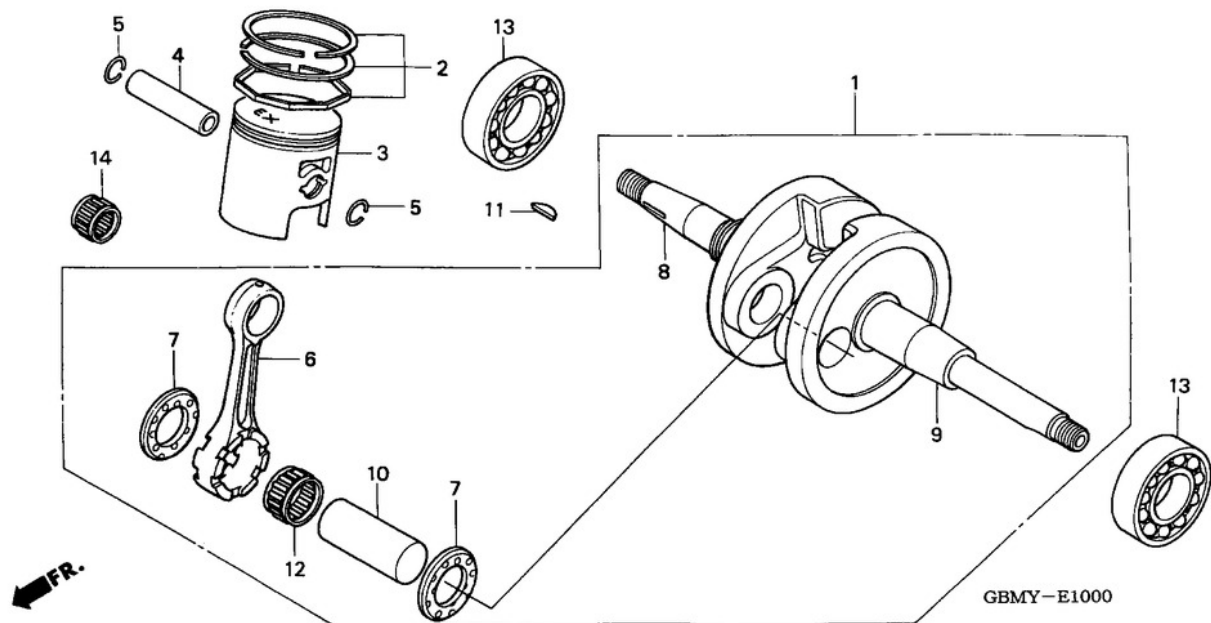
1	CASE COMP., TRANSMISSION	REF. -EPUISÉE	NA
2	GASKET, TRANSMISSION COVER	21395-KEE-631	8.54
3	SHAFT, DRIVE (16T)	23411-GBM-850	255.90
4	COUNTERSHAFT (13T)	23421-GAV-700	63.68
6	GEAR, COUNTER (47T)	23422-GBM-850	91.54
7	GEAR COMP., FINAL (50T)	REF. -EPUISÉE	NA
8	WASHER, SIDE, 14MM	90429-GN2-003	2.48
9	WASHER, THRUST, 14MM	90451-121-000	2.05
10	BEARING, RADIAL BALL, 6004UU (NACHI)	91009-GE0-003	17.87
10	BEARING, RADIAL BALL, 6004UU (NTN)	91009-GE0-004	17.87
11	OIL SEAL, 27X42X7 (NOK)	91255-GE0-003	7.52
12	DOWEL PIN, 10X12	94301-10120	1.54
13	BEARING, RADIAL BALL, 6201	96100-6201300	8.69



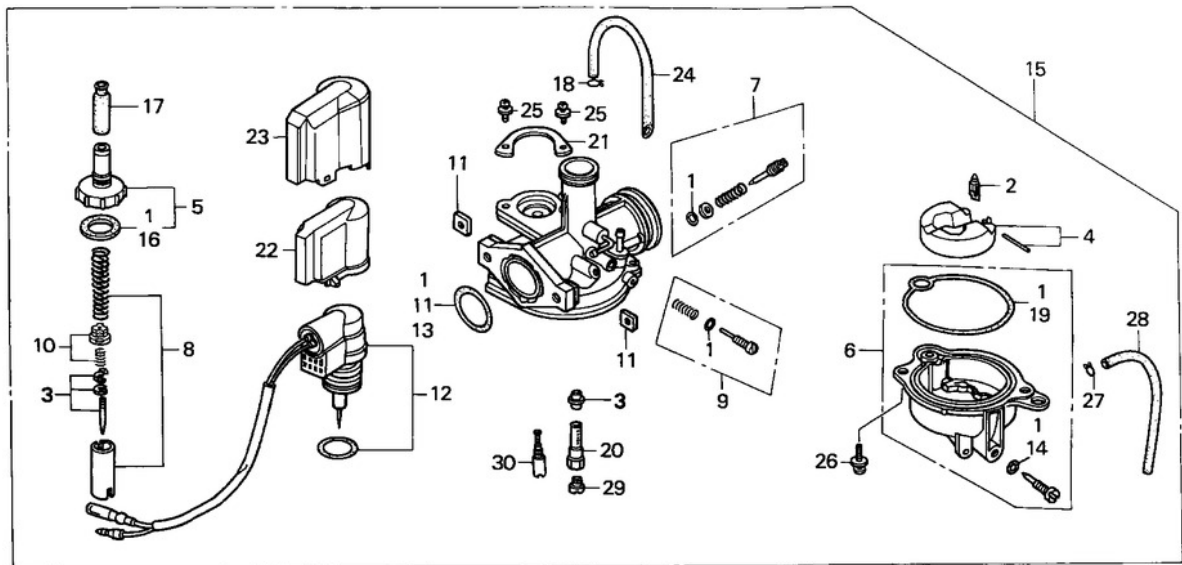
1	CRANKCASE COMP., R.	REF. -EPUISÉE	NA
2	BUSH, ENGINE HANGER RUBBER	11102-187-003	8.08
3	CRANKCASE COMP., L.	REF. -EPUISÉE	NA
4	BUSH, RR. CUSHION UNDER RUBBER	11203-GC7-300	6.16
5	BUSH, 8X12X8	11205-GAH-003	8.08
6	VALVE COMP., REED	14100-GAH-000	31.13
7	PUMP ASSY., OIL	15100-GAV-701	132.40
8	PLATE COMP., SETTING	15110-GAV-700	9.74
9	TUBE, OIL PASS	15525-GBM-850	16.58
10	INSULATOR, OIL PUMP	15531-GAV-700	18.39
11	RUBBER, OIL PUMP INSULATOR	15532-GAV-700	4.17
12	INSULATOR, CARBURETOR	16211-GAH-000	12.45
13	PIPE COMP., INTAKE	17100-GBM-850	NA
14	CLAMPER, OIL PUMP CABLE	17104-GBM-850	7.22
15	GASKET A, IN. PIPE	17111-GAH-A00	4.10
16	GASKET B, IN. PIPE	17112-GW3-710	4.10
17	BOLT, 6X18	90002-GAV-701	1.89
18	WASHER, SEALING, 6.5MM	90481-GW3-000	1.77
19	BEARING, RADIAL BALL, 6203 (NTN)	91004-GM9-701	21.86
20	OIL SEAL, 15X25.5X7 (ARAI)	91201-GW2-000	2.71
21	OIL SEAL, 20X31X7 (NOK)	91202-KBN-922	6.14
22	OIL SEAL, 17X30X6 (ARAI)	91204-GBB-003	3.23
23	O-RING, 18.3X2.3	91301-166-000	2.10
24	O-RING, 20.6X1.9	91304-GB0-910	3.17

25	DOWEL PIN, 10X20	94301-10200	1.54
26	CLIP, TUBE (B6.5)	95002-02650	0.67
27	BOLT, FLANGE, 6X28	95701-0602800	0.91
28	BOLT, FLANGE, 6X35	95701-0603500	0.91
29	BOLT, FLANGE, 6X40	95701-0604008	0.91
30	BOLT, FLANGE, 8X12	95701-0801200	0.91
31	BOLT, FLANGE, 6X12	96001-0601200	0.91
32	BOLT, FLANGE, 6X28	96001-0602800	1.12
33	BOLT, FLANGE, 6X35	96001-0603500	1.12
34	BOLT, FLANGE, 6X55	96001-0605500	1.27
35	BOLT, FLANGE, 6X65	96001-0606500	1.32
36	BOLT, FLANGE, 6X85	96001-0608500	1.32
37	BEARING, RADIAL BALL, 6202	96100-6202300	9.63

JBV JBV JBV JBV JBV JBV JBV JBV JBV JBV



1	CRANKSHAFT COMP.	13000-GAV-700	190.73
2	RING SET, PISTON	13010-GAV-630	25.73
3	PISTON (STD.)	13101-GAH-720	37.84
4	PIN, PISTON	13111-GZ0-000	8.01
5	CLIP, PISTON PIN, 12MM	13115-156-000	0.87
6	ROD, CONNECTING	13201-GAH-310	52.64
7	PLATE, CONNECTING ROD SIDE	13202-169-003	7.30
8	CRANKSHAFT, R.	13311-GAV-700	112.42
9	CRANKSHAFT, L.	13321-GAV-700	113.09
10	PIN, CRANK	13381-KBN-900	29.16
11	KEY, WOODRUFF, 3X5	90741-035-000	3.04
12	BEARING, CONNECTING ROD BIG END (BLUE)	91002-GAH-008	10.24
12	BEARING, CONNECTING ROD BIG END (GREEN)	91004-GAH-008	10.24
12	BEARING, CONNECTING ROD BIG END (RED)	91001-GAH-008	10.24
12	BEARING, CONNECTING ROD BIG END (WHITE)	91003-GAH-008	10.24
13	BEARING, RADIAL BALL, 20X56X12	91005-GW3-961	23.47
14	BEARING, CONNECTING ROD SMALL END (BLUE) (NTN)	91102-GW0-008	9.05



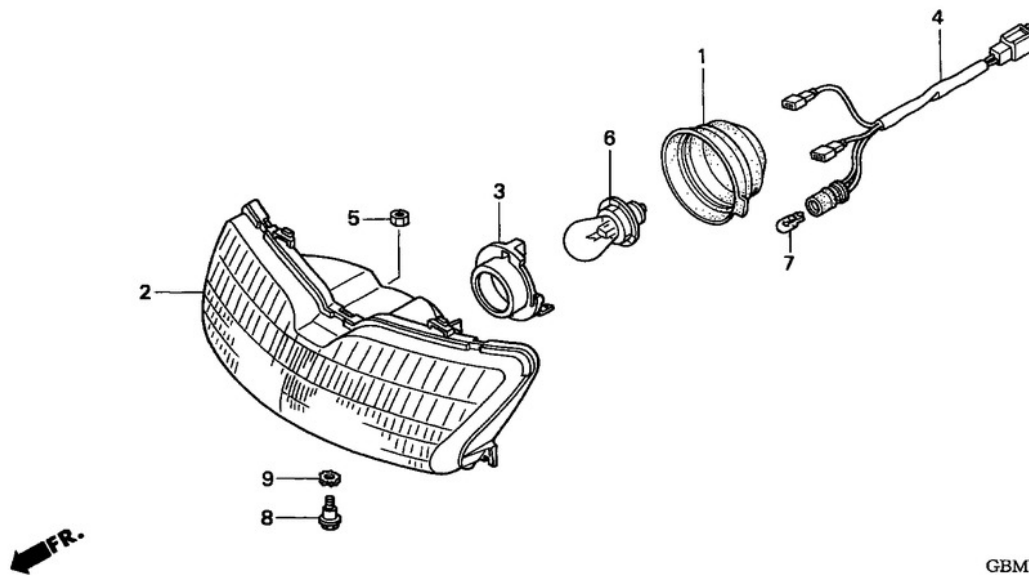
FR.

GBMY-E1100

1	GASKET SET	16010-GW0-003	11.88
2	VALVE SET, FLOAT	16011-GR1-930	30.57
3	NEEDLE SET, JET	16012-GBM-850	27.83
4	FLOAT SET	16013-KG8-003	37.38
5	TOP SET	16014-KK7-740	35.07
6	CHAMBER SET, FLOAT	16015-GBC-000	72.19
7	SCREW SET	16016-GAH-A00	10.75
8	VALVE SET, THROTTLE	16022-GAV-700	32.93
9	SCREW SET	16028-GW2-003	13.69
11	NUT SET, SQUARE	16041-GY2-900	3.55
12	BYSTARTER ASSY., AUTO	16046-GBM-700	99.22
13	O-RING, 2.4X23	16076-KG8-901	4.25
14	O-RING, 1.3X4.3	16075-GHB-640	3.15
15	CARBURETOR ASSY. (PB2CE B)	16100-GBM-871	186.90
16	GASKET, TOP	16110-KG8-901	6.66
17	CAP, CABLE SEALING	16148-KB1-921	8.75
18	CLIP, TUBE	16163-GHB-600	1.08
19	GASKET, FLOAT CHAMBER	16163-KG8-901	9.53
20	HOLDER, NEEDLE JET	16165-GBY-830	25.22
21	PLATE, SETTING	16186-GJ2-004	2.80
22	CAP, HOLDER	16190-GR1-003	10.27
23	CAP, OUTER	16191-GM9-701	9.05
24	TUBE, AIR VENT	16199-KBN-900	7.68
25	SCREW-WASHER, 4X8	93892-0400808	0.67

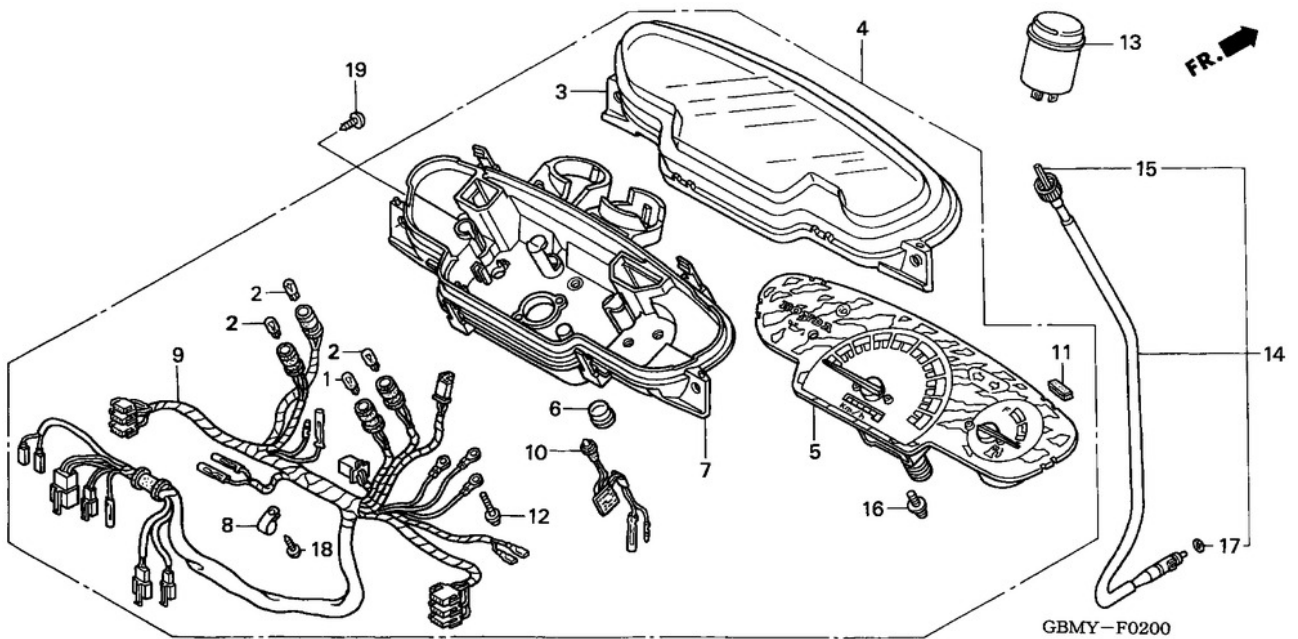
26	SCREW-WASHER, 4X14	93892-0401408	0.67
27	CLIP, TUBE (B7)	95002-02079	0.67
28	TUBE, VINYL, 4X7X270 (95003-07001-60M)	95003-0702731	1.30
29	JET, MAIN, #80	99101-HF70800	8.81
30	JET, SLOW, #35	99104-KPH0350	13.28

JBV JBV JBV JBV JBV JBV JBV JBV

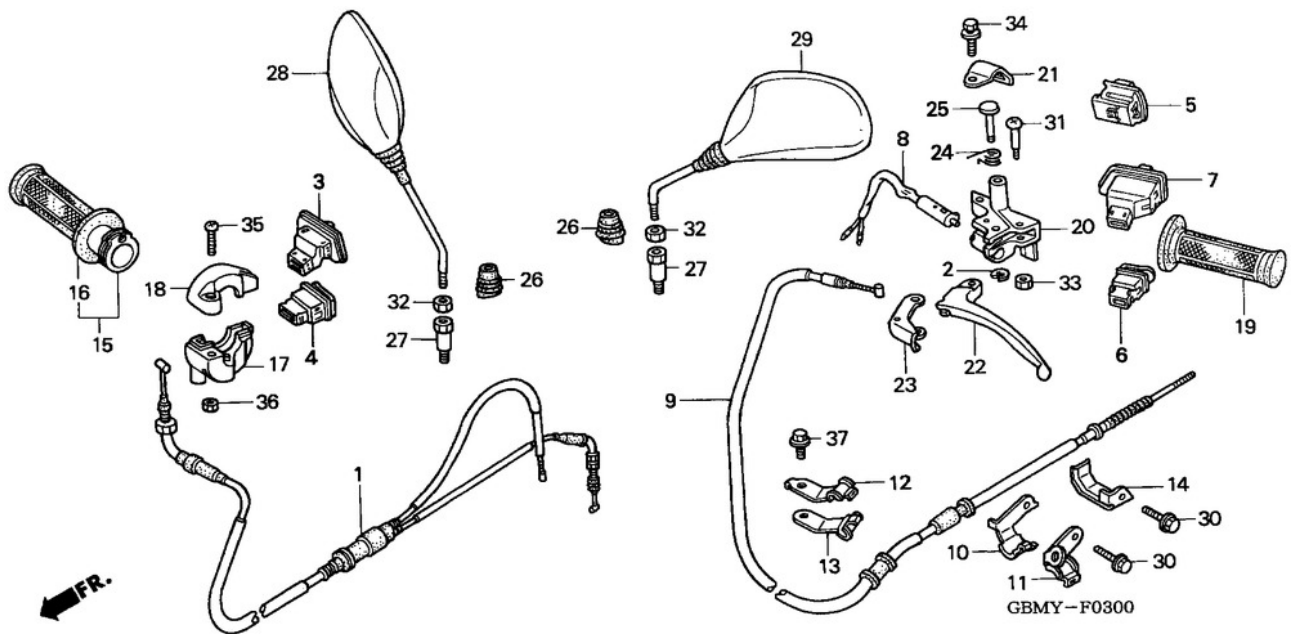


GBMY-F0100

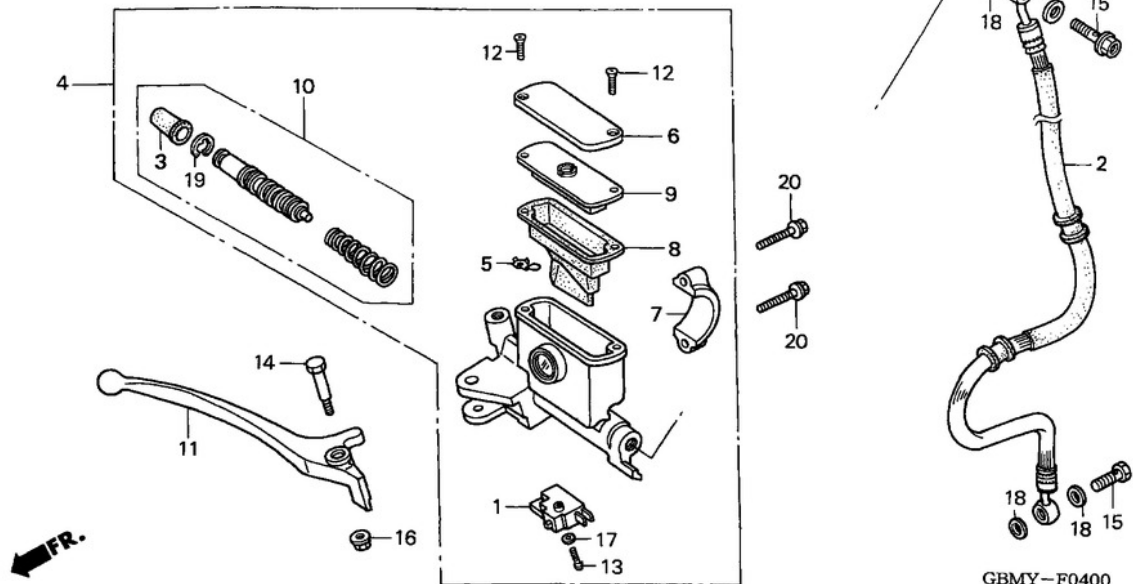
1	BOOT, HEADLIGHT SOCKET	33108-GY1-901	5.91
2	HEADLIGHT UNIT	REF. -EPUISÉE	NA
3	SOCKET, HEADLIGHT	33125-GT8-681	10.98
4	SOCKET COMP., HEADLIGHT	33130-GBM-700	39.58
5	NUT, HOLDER	REF. -EPUISÉE	NA
6	BULB, HEADLIGHT (12V 35/35W)	34901-388-611	14.48
7	BULB, POSITION (12V 5W)	34901-S6D-G01HE	2.34
8	BOLT, ADJUSTING	90101-GJ6-000	2.69
9	WASHER, LOCK, 6MM	90307-GJ6-003	3.53



1	BULB, WEDGE BASE (12V 3W)	REF. -EPUISÉE	NA
2	BULB, WEDGE BASE (12V 2W)	34908-GT8-681	2.46
3	LENS	37119-GBM-850	94.20
4	SPEEDOMETER ASSY.	37200-GBM-F00	246.39
5	METER COMP., SPEED & FUEL (KPH)	37210-GBM-F00	159.69
6	CAP	37211-GJ6-003	2.21
7	CASE ASSY.	37212-GBM-850	33.21
8	CLAMP	37215-KR1-760	1.36
9	SOCKET COMP.	37224-GBM-E00	159.62
10	INDICATOR COMP., LED	37230-GBM-850	27.38
11	CUSHION, RUBBER	37304-GAH-008	1.77
12	SCREW-WASHER, 3X22	37305-KE5-008	3.38
13	RELAY COMP., AUDIBLE PILOT & WINKER (OMRON)	38301-GZ5-025	55.55
14	CABLE COMP., SPEEDOMETER	44830-GBM-750	15.32
15	CABLE, INNER	44831-GBM-750	NA
16	SCREW-WASHER, SPECIAL, 4X10	90035-166-008	3.30
17	O-RING, 8.5X1.5 (ARAI)	91352-671-004	1.52
17	O-RING, 8.5X1.5 (NOK)	91352-671-004	1.52
18	SCREW, TAPPING, 4X16	93903-24420	0.67
19	SCREW, TAPPING, 5X16	93903-35310	0.67

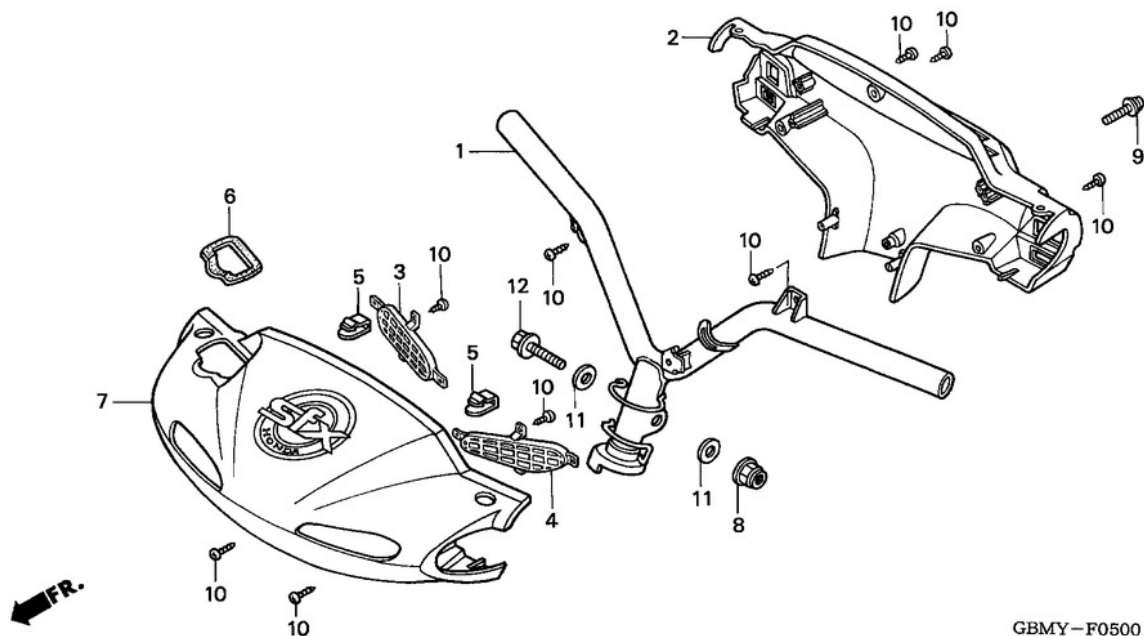


1	CABLE COMP., THROTTLE	17910-GBM-751	NA
2	E-CLIP, 3MM	30158-700-010	0.74
3	SWITCH UNIT, LIGHTING	35150-GAV-701	11.64
4	SWITCH UNIT, STARTER	35160-GBM-852	10.52
5	SWITCH UNIT, DIMMER	35170-GBM-701	13.91
6	SWITCH UNIT, HORN	35180-GS7-023	10.52
7	SWITCH UNIT, WINKER	35200-GAV-701	10.54
8	SWITCH ASSY., FR. STOP	35340-GS7-003	20.12
9	CABLE COMP., RR. BRAKE	43450-GBM-750	32.60
10	CLAMP A, RR. BRAKE CABLE	43452-GBM-750	3.25
11	CLAMP B, RR. BRAKE CABLE	43453-GBM-750	3.25
12	CLAMP C, RR. BRAKE CABLE	43454-GBM-750	3.25
13	CLAMP D, RR. BRAKE CABLE	43455-GBM-750	3.25
14	GUIDE, RR. BRAKE CABLE	43456-GBM-750	3.25
15	GRIP COMP., THROTTLE	53140-GW0-730	15.99
16	GRIP, R. HANDLE	53165-GW0-000	6.33
17	HOUSING, UNDER THROTTLE	53167-GN2-020	13.41
18	HOUSING, UPPER THROTTLE	53168-GN2-020	13.41
19	GRIP, L. HANDLE	53166-GEE-750	6.70
20	BRACKET, HANDLE	53172-GBM-850	36.56
21	BAND, HANDLE BRACKET	53173-GS7-003	4.87
22	LEVER, L. STEERING HANDLE	53178-GS7-670	11.73
23	LEVER COMP., PARKING	53181-GN2-930	5.20
24	SPRING, LEVER RETURN	53182-155-010	2.95



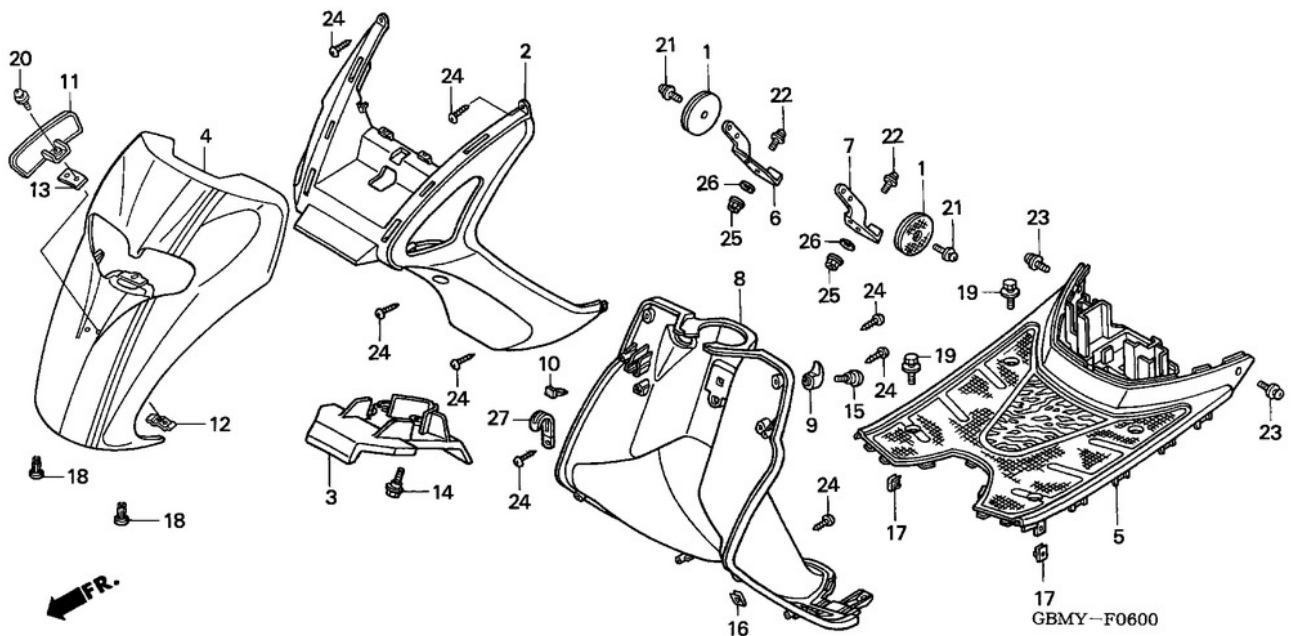
GBMY-F0400

1	SWITCH ASSY., FR. STOP	35340-MA5-671	28.08
2	HOSE COMP., FR. BRAKE	45126-GBM-W01	97.96
3	BOOT COMP.	45504-GBM-751	3.46
4	CYLINDER SUB ASSY., FR. BRAKE MASTER (BASSANO GRIMECA)	45510-GCG-931	165.99
5	PROTECTOR	45512-GBM-751	13.20
6	CAP, MASTER CYLINDER	45513-GBM-751	14.03
7	HOLDER, MASTER CYLINDER	45517-GBM-751	12.31
8	DIAPHRAGM	45520-GBM-751	5.29
9	PLATE, DIAPHRAGM	45521-GBM-751	1.84
10	PISTON SET, MASTER CYLINDER	45530-GBM-751	32.11
11	LEVER, R. STEERING HANDLE	53175-GBM-751	18.33
12	SCREW, FLAT, 4X12	90101-GBM-751	0.36
13	SCREW, 4X12	90102-GBM-751	0.25
14	BOLT, HANDLE LEVER	90114-GBM-750	NA
15	BOLT, OIL, 10X22	90145-MY5-H20	4.82
16	NUT, FLANGE, 6MM	90301-GBM-751	0.42
17	WASHER, 4MM	90502-GBM-751	0.11
18	WASHER, OIL BOLT	90545-300-000	3.97
19	CIRCLIP	90651-GBM-751	0.73
20	BOLT, FLANGE, 6X22	95701-0602200	0.91



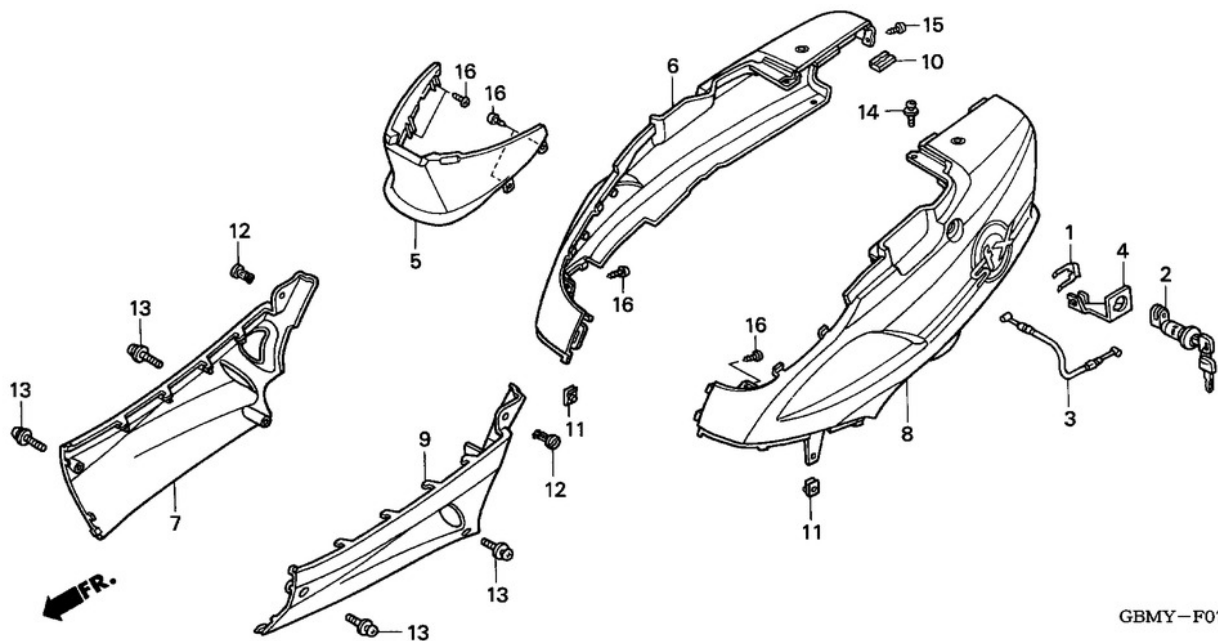
GBMY-F0500

1	HANDLE COMP., STEERING	53100-GBM-W00	136.10
2	COVER, HANDLE RR. *NH1*	53206-GBM-751ZA	36.33
2	COVER, HANDLE RR. *YR181*	53206-GBM-751ZC	35.41
3	COVER, R. HORN	53207-GBM-W00	2.48
4	COVER, L. HORN	53208-GBM-W00	2.16
5	CLIP, HEADLIGHT	53209-GAH-000	1.79
6	SEAL, MASTER CYLINDER	53215-GBM-750	3.09
7	COVER SET, FR. HANDLE (WL) *NH1*	53250-GBM-F70ZA	38.82
7	COVER SET, FR. HANDLE (WL) *NH146M*	53250-GBM-F70ZB	38.82
7	COVER SET, FR. HANDLE (WL) *P32M*	53250-GBM-F70ZC	38.82
7	COVER SET, FR. HANDLE (WL) *TYPE1*	53250-GBM-S90ZA	NA
8	NUT, U, 10MM	90304-GE8-003	4.13
9	SCREW-WASHER, 5X20	93891-0502007	0.67
10	SCREW, TAPPING, 4X12	93903-34380	0.91
11	WASHER, PLAIN, 10MM	94101-10000	0.67
12	BOLT, FLANGE, 10X40	95801-1004008	1.45



1	REFLECTOR, SIDE REFLEX	33741-GT8-620	NA
2	FENDER, FR. *NH1*	61100-GBM-750ZK	75.91
2	FENDER, FR. *NH201R*	61100-GBM-750ZL	75.91
2	FENDER, FR.  *P33R*	61100-GBM-750ZN	75.91
2	FENDER, FR. *PB298R*	61100-GBM-750ZU	NA
3	FENDER, FR. INNER	61110-GBM-750	24.97
4	COVER SET, FR. (WL) *TYPE1*	REF. -EPUISEE	NA
4	COVER, FR. *NH1*	64301-GBM-W00ZA	165.47
4	COVER, FR. *NH146M*	64301-GBM-W00ZB	165.47
4	COVER, FR. *P32M*	64301-GBM-W00ZC	165.47
4	COVER, FR. *PB297M*	64300-GBM-S90ZA	NA
5	PANEL, FLOOR *NH1*	64310-GBM-750ZA	65.66
5	PANEL, FLOOR *YR181*	64310-GBM-750ZC	65.66
6	STAY, R. FR. REFRECTOR	64315-GBM-720	8.58
7	STAY, L. FR. REFLECTOR	64325-GBM-720	8.58

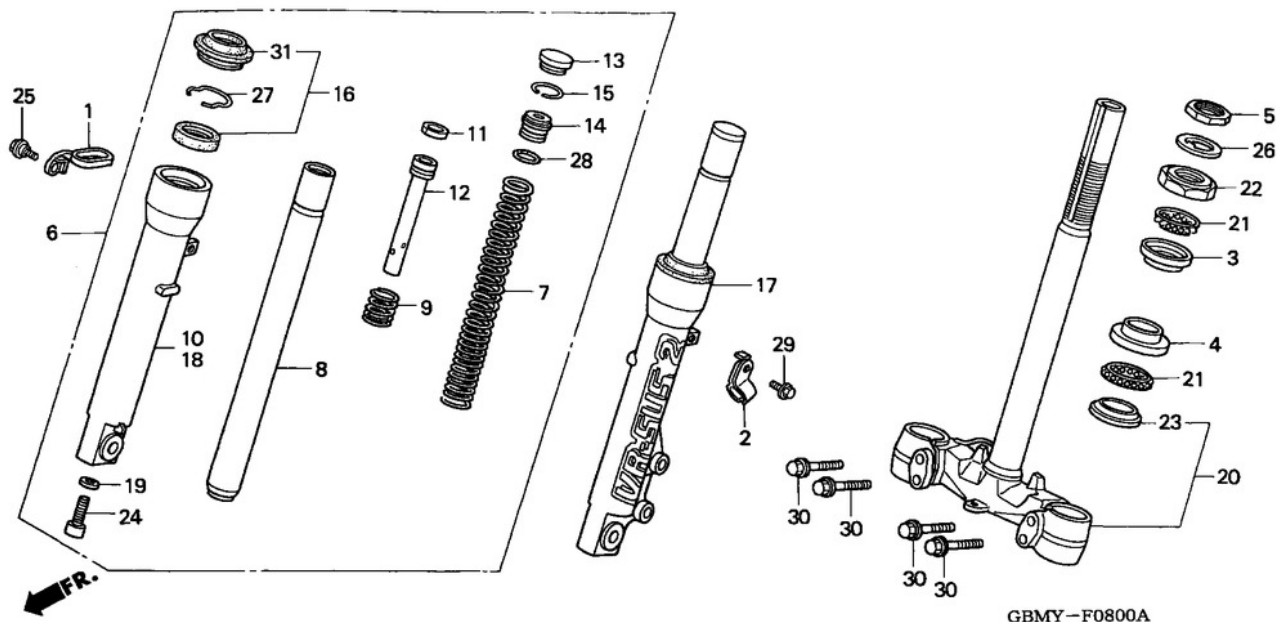
8	COVER, INNER *NH1*	81131-GBM-720ZA	63.46
8	COVER, INNER *YR181*	81131-GBM-H00ZA	NA
			
9	HOOK, LUGGAGE *NH1*	81132-GAH-000ZW	3.80
10	STOPPER, LUGGAGE	81133-GAH-000	1.48
14	BOLT, SPECIAL, 5MM	90112-GC3-000	2.38
15	SCREW, SPECIAL, 6MM	90164-MR4-900	2.26
16	NUT, SPRING, 5MM	90301-KE1-003	2.71
17	NUT, CLIP, 5MM	90677-GR1-003	2.62
18	CLIP, TRIM	90683-GAZ-003	2.12
19	BOLT-WASHER, 6X25	93404-0602507	0.91
21	SCREW-WASHER, 5X12	93891-0501207	0.67
22	SCREW-WASHER, 5X14	93891-0501407	0.67
23	SCREW-WASHER, 5X12	93894-0501200	0.67
24	SCREW, TAPPING, 4X12	93903-34380	0.91
25	NUT, FLANGE, 5MM	94050-05000	0.67
26	WASHER, PLAIN, 5MM	94103-05000	0.67
27	CLIP, 4X100	94591-41000	2.81



GBMY-F0700

1	SPRING, LOCK KEY SETTING	75581-GN8-920	5.09
2	KEY, SEAT LOCK	77239-KAB-000	22.02
3	CABLE, SEAT LOCK	77240-GY1-900	7.50
4	STAY, SEAT LOCK CABLE	77242-GBM-750	4.32
5	COVER, CENTER *NH1*	80151-GBM-750ZA	34.83
5	COVER, CENTER *YR181*	80151-GBM-750ZC	34.83
6	COVER SET, R. BODY (WL) *NH1*	83450-GBM-F70ZA	136.07
6	COVER SET, R. BODY (WL) *NH146M*	83450-GBM-F70ZB	136.07
6	COVER SET, R. BODY (WL) *P32M*	83450-GBM-F70ZC	136.07
6	COVER SET, R. BODY (WL) *TYPE1*	83450-GBM-S90ZA	NA
7	COVER, R. LOWER *NH1*	83520-GBM-750ZK	43.43
7	COVER, R. LOWER *NH201R*	83520-GBM-750ZL	43.43
7	COVER, R. LOWER *P33R*	83520-GBM-750ZN	43.43
7	COVER, R. LOWER *PB298R*	83520-GBM-750ZU	NA

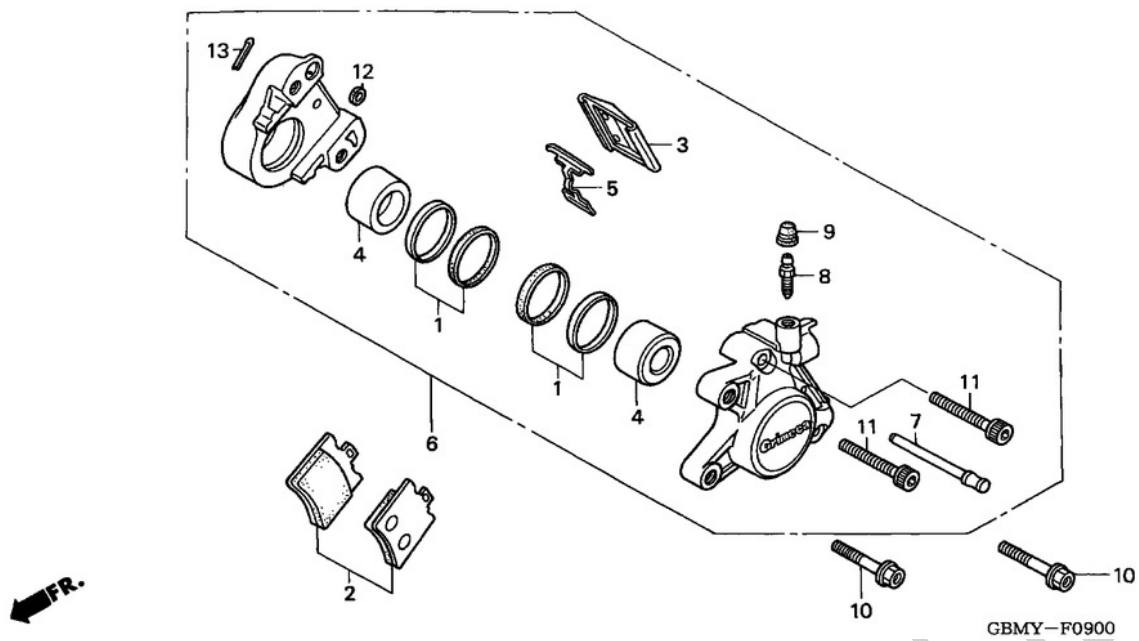
8	COVER SET, L. BODY (WL) *NH1*	83550-GBM-F70ZA	132.66
8	COVER SET, L. BODY (WL)  *NH146M*	83550-GBM-F70ZB	132.66
8	COVER SET, L. BODY (WL)  *P32M*	83550-GBM-F70ZC	132.66
8	COVER SET, L. BODY (WL)  *TYPE1*	83550-GBM-S90ZA	NA
9	COVER, L. LOWER *NH1*	83620-GBM-750ZK	42.34
9	COVER, L. LOWER *NH201R*	 83620-GBM-750ZL	42.34
9	COVER, L. LOWER *P33R*	 83620-GBM-750ZN	42.34
9	COVER, L. LOWER *PB298R*	 83620-GBM-750ZU	NA
10	SPRING, COWL SETTING	90655-GT4-000	2.36
11	NUT, CLIP, 5MM	90677-GR1-003	2.62
12	CLIP, TRIM	90683-GAZ-003	2.12
13	SCREW-WASHER, 5X16	93891-0501607	0.67
14	SCREW-WASHER, 5X12	93894-0501200	0.67
15	SCREW, TAPPING, 4X16	93903-24480	0.59
16	SCREW, TAPPING, 4X12	93903-34380	0.91



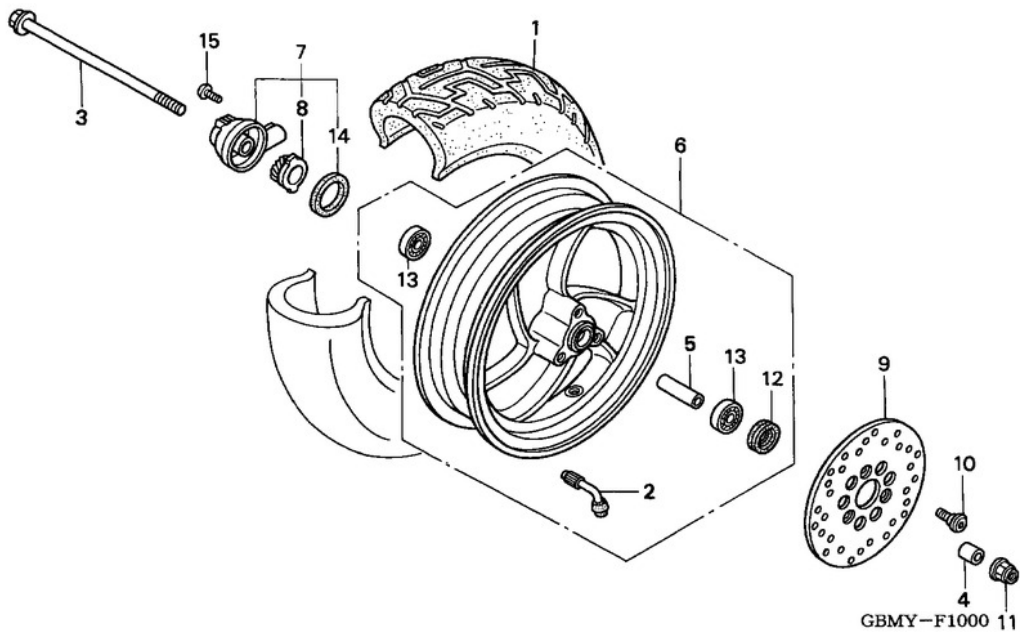
1	GUIDE, SPEEDOMETER CABLE	44832-GBL-750	6.52
2	CLAMPER, FR. BRAKE HOSE	45156-GBM-W00	8.54
3	RACE, STEERING UPPER BALL	50301-GM0-000	7.53
4	RACE, STEERING UNDER BALL	50305-GE8-680	9.45
5	NUT, STEERING STEM LOCK	50306-196-010	4.86
6	FORK ASSY., R. FR.	51400-GBM-W01	NA
7	SPRING, FR. FORK	51401-GBM-751	NA
8	PIPE COMP., FR. FORK	51410-GBM-751	NA
9	SPRING, REBOUND	51412-GBM-751	NA
10	CASE, R. FR. BOTTOM	51421-GBM-751	NA
11	RING, PISTON	51437-GBM-751	NA
12	PIPE, SEAT	51440-GBM-W00	50.53
13	CAP, FORK PIPE	51449-GBM-W00	8.50
14	SEAT, SPRING UPPER	51454-GBM-W00	11.95
15	RING, STOPPER	51456-GM0-003	2.36
16	SEAL SET, FR. FORK	51490-GBG-850	16.03
17	FORK ASSY., L. FR.	51500-GBM-W00	162.27
18	CASE, L. FR. BOTTOM	51521-GBM-751	NA
19	WASHER, SPECIAL, 10MM	52442-GBM-W00	1.82
20	STEM SET, STEERING	REF. -EPUISSE	NA
21	BALL ASSY., STEERING STEEL	53210-GR1-751	13.57
22	RACE, STEERING TOP CONE	53211-GC8-003	7.55
23	RACE, STEERING BOTTOM CONE (MITSUBOSHI)	53212-147-003	4.29
24	BOLT, SOCKET	REF. -EPUISSE	NA

25	BOLT, SPECIAL, 6MM	90122-752-000	2.02
26	WASHER, LOCK NUT	90506-GAZ-000	2.13
27	RING, OIL SEAL STOPPER	90601-383-721	4.89
28	O-RING	91304-MJ0-003	3.34
29	BOLT, FLANGE, 6X12	95701-0601200	0.77
30	BOLT, FLANGE, 8X40	95801-0804000	1.12
31	DUST SEAL	91254-GBG-850	8.41

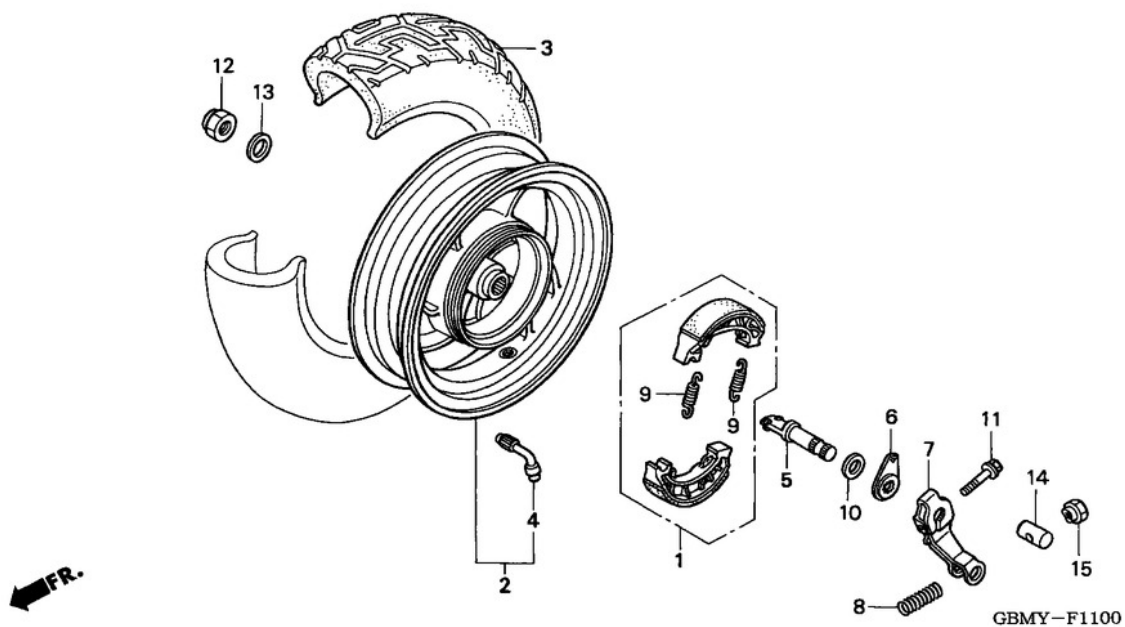
JBV JBV JBV JBV JBV JBV JBV JBV



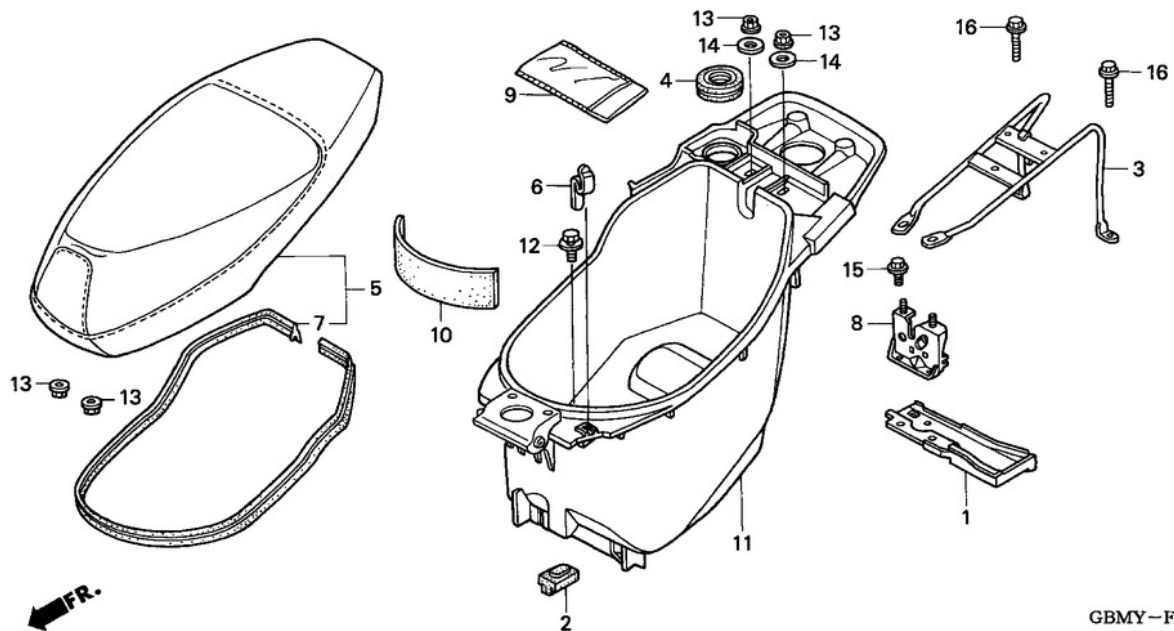
1	SEAL SET, PISTON	06451-GBM-750	26.47
2	PAD SET, FR.	06455-GBY-910	25.00
3	COVER	45104-GCG-930	8.19
4	PISTON	45107-GBM-751	14.96
5	SPRING, PAD	45108-GBM-751	2.02
6	CALIPER SUB ASSY., L. FR.	REF. -EPUISEE	NA
7	PIN, HANGER	45215-GBM-751	7.37
8	BLEEDER	REF. -EPUISEE	NA
9	CAP, BLEEDER	45353-KBS-901	4.90
10	BOLT, FLANGE, 8X32	90131-KBV-003	3.55
11	BOLT, SOCKET, 8X35	90159-GBM-751	0.84
12	O-RING	91306-KY4-901	2.24
13	PIN, SPLIT, 1.6	94201-16080	0.77



1	TIRE (DUNLOP)	REF. -EPUISÉE	NA
1	TIRE (PIRELLI)	42711-GBM-W04	NA
2	VALVE, RIM	42753-GAV-701	3.43
3	AXLE, FR. WHEEL	44301-GBM-750	11.36
4	COLLAR, FR. WHEEL SIDE	44311-GZ0-000	7.65
5	COLLAR, FR. DISTANCE	44620-GBM-750	10.72
6	WHEEL SET, FR. *NH1*	44650-GBM-W00ZD	158.59
6	WHEEL SET, FR. *YR181*	44650-GBM-W00ZE	158.59
7	BOX ASSY., SPEEDOMETER GEAR *NH1*	44800-GW0-751ZA	111.22
8	GEAR, SPEEDOMETER	44806-GW0-751	15.03
9	DISK, L. FR. BRAKE	45351-GBM-750	62.30
10	BOLT, FR. DISK, 8X24 (SAGA)	90105-KR3-000	5.21
11	NUT, U, 10MM	90304-GE8-003	4.13
12	OIL SEAL, 19X30.5X7	90754-147-003	5.69
12	OIL SEAL, 19X30.5X7 (ARAI)	90754-147-003	5.69
13	BEARING, RADIAL BALL, 6000UU	91009-GT8-601	17.34
14	OIL SEAL, 34X42X5 (ARAI)	91252-GF0-004	4.01
15	SCREW, PAN, 4X6	93500-040060A	0.59

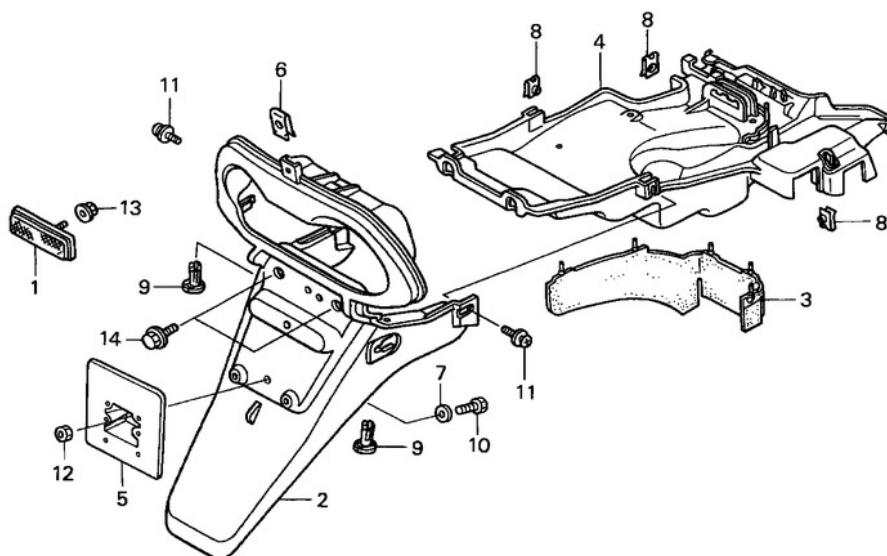


1	SHOE SET, BRAKE (JB)	06450-178-932	25.00
2	WHEEL SET, RR. *NH1*	42650-GBM-W00ZD	182.61
2	WHEEL SET, RR. *YR181*	42650-GBM-W00ZE	182.61
3	TIRE (DUNLOP)	REF. -EPUISÉE	NA
3	TIRE (PIRELLI)	42711-GBM-W04	NA
4	VALVE, RIM	42753-GAV-701	3.43
5	CAM, RR. BRAKE	43141-KJ9-750	12.87
6	INDICATOR, RR. BRAKE	43145-KJ9-750	5.09
7	ARM, RR. BRAKE	43410-GAV-700	19.06
8	SPRING, RR. BRAKE ARM	43472-KG8-000	2.39
9	SPRING, BRAKE SHOE	45133-028-000	2.18
10	DUST SEAL, BRAKE CAM	45134-250-000	1.78
11	BOLT, FLANGE, 6X30	90112-KV8-920	2.44
12	NUT, U, 16MM	90305-GW2-711	12.38
13	WASHER, 16MM	90501-KBN-900	5.86
14	JOINT B, BRAKE ARM	95015-32001	1.12
15	NUT B, BRAKE ROD ADJUSTING	95015-42000	2.19



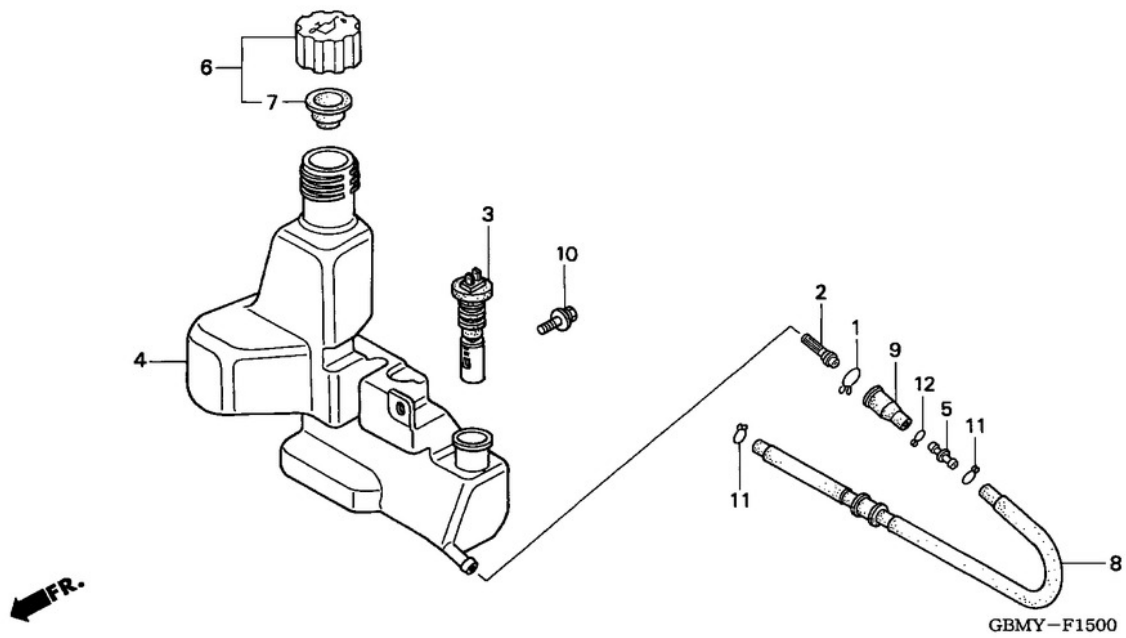
GBMY-F1200A

1	TRAY, FUEL TANK	17505-GBM-750	15.95
2	RUBBER, STAND STOPPER	50505-GR1-000	3.82
3	STAY, RR. INNER	50700-GBM-750	45.77
4	RUBBER, OIL SEAL	55121-GBM-850	3.67
5	SEAT COMP., SINGLE *TYPE11*	77100-GBM- W20ZA	222.40
5	SEAT COMP., SINGLE *TYPE8*	77100-GBM-830ZF	164.39
			
6	HOOK, HELMET	77106-GAH-000	4.41
7	RUBBER, SEAL	77115-GBM-750	15.74
8	CATCH COMP., SEAT	77235-GBM-750	40.40
9	BAG, SERVICE BOOK	77251-GR1-000	6.43
10	CUSHION, LUGGAGE BOX	81252-GW2-000	7.77
11	BOX ASSY., LUGGAGE *NH1*	81260-GBM-750ZA	NA
12	BOLT-WASHER, 6X12	93404-0601200	0.77
13	NUT, FLANGE, 6MM	94050-06000	0.60
14	WASHER, PLAIN, 6MM	94103-06000	0.59
15	BOLT, FLANGE, 6X12	95701-0601200	0.77
16	BOLT, FLANGE, 6X20	95701-0602000	0.77

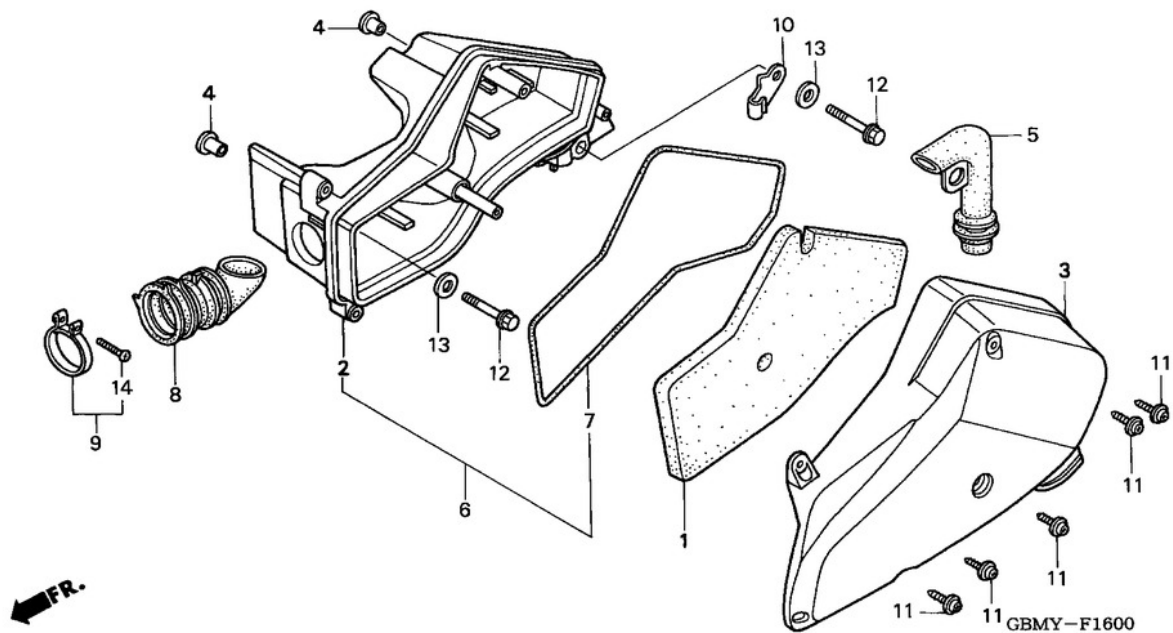


GBMY-F1400

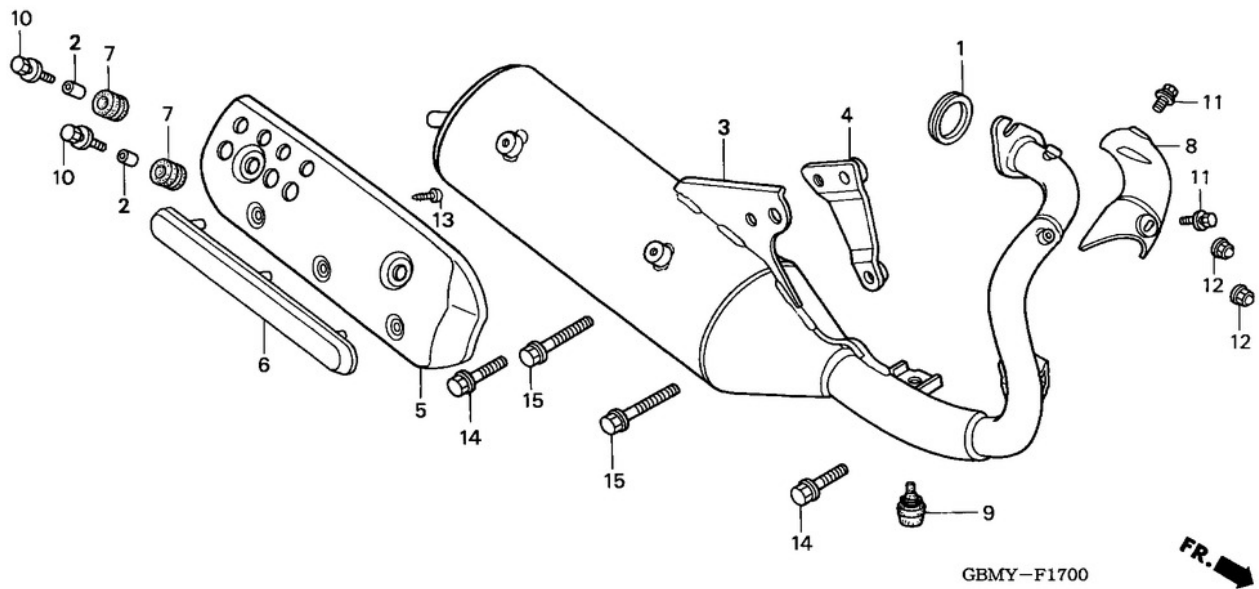
1	REFLECTOR, REFLEX	33741-GT8-652	18.48
2	FENDER, RR.	REF. -EPUISEE	NA
3	PLATE, SPLASH GUARD	80104-GBM-750	12.32
4	FENDER, RR. INNER	80105-GBM-750	18.42
6	NUT, SPRING, 4MM	90302-SA4-003	5.80
8	NUT, CLIP, 5MM	90677-GR1-003	2.62
9	CLIP, BODY COVER	90683-GR1-003	3.01
11	SCREW-WASHER, 5X12	93894-0501200	0.67
13	NUT, FLANGE, 5MM	94050-05000	0.67
14	BOLT, FLANGE, 6X12	95701-0601207	0.77



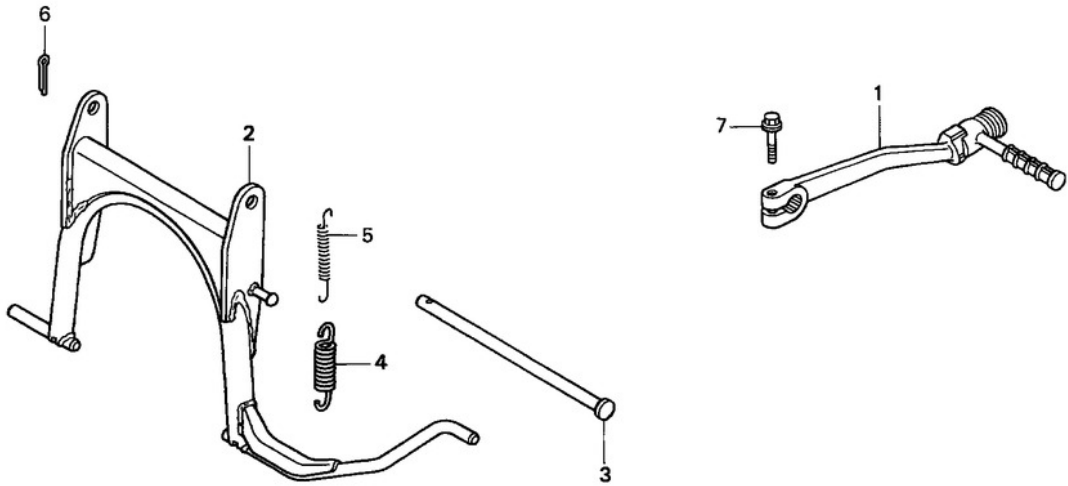
1	CLIP, BREATHER TUBE	15772-551-000	4.63
2	STRAINER, OIL	17502-187-000	4.54
3	SWITCH ASSY., OIL LEVEL (MITSUBA)	35410-GF0-014	47.35
4	TANK, OIL	55100-GBM-750	63.15
5	JOINT, OIL TUBE	55102-166-000	3.77
6	CAP ASSY., OIL	55105-GBM-750	13.24
7	PACKING, OIL CAP	55107-GK8-000	5.70
8	TUBE COMP., OIL	55123-GBM-750	20.34
9	JOINT, OIL STRAINER	55201-GC8-000	3.77
10	BOLT-WASHER, 6X14	93404-0601400	0.77
11	CLIP, TUBE (B10)	95002-02100	0.77
12	CLIP, TUBE (C9)	95002-50000	0.59



1	ELEMENT, AIR CLEANER	17205-GBM-750	7.00
2	CASE, AIR CLEANER	17206-GBM-750	46.40
3	COVER, AIR CLEANER	17207-GBM-750	19.11
4	COLLAR, AIR CLEANER SETTING	17208-GR1-010	2.88
5	DUCT, AIR CLEANER CASE	17215-GBM-750	24.55
7	SEAL, AIR CLEANER CASE	17227-MT3-300	8.80
8	TUBE, AIR CLEANER CONNECTING	17253-GBM-750	17.84
9	BAND, AIR CLEANER CONNECTING TUBE	17254-GAV-700	3.73
10	CLIP, CARBURETOR OVERFLOW TUBE	17255-GBM-750	8.54
11	SCREW, SPECIAL TAPPING, 5X16	90103-GW0-003	1.66
12	BOLT, FR. CUSHION UNDER	90104-GAV-701	2.46
13	WASHER B, HANDLE HOLDER SETTING	90525-030-000	2.50
14	SCREW, PAN, 4X25	93500-040250A	0.59



1	GASKET, EX. PIPE	18291-GE2-920	5.56
2	COLLAR, 5MM	18295-GW0-920	6.27
3	MUFFLER COMP., EX.	18300-GBM-870	187.20
4	PLATE, MUFFLER	18306-GAV-700	14.81
5	PROTECTOR, MUFFLER	18318-GBM-750	27.38
7	RUBBER A, PROTECTOR	18320-196-000	3.95
8	PROTECTOR, EX. PIPE	18325-GAV-701	16.56
9	RUBBER, STAND STOPPER	50505-GBM-850	2.48
10	BOLT-WASHER, 5X16	90101-GK8-000	2.08
11	BOLT-WASHER, 6X6	90118-383-000	3.55
12	NUT, CAP, 6MM	90304-438-000	6.31
14	BOLT, FLANGE, 8X20	95701-0802007	0.91
15	BOLT, FLANGE, 8X30	95701-0803007	1.12

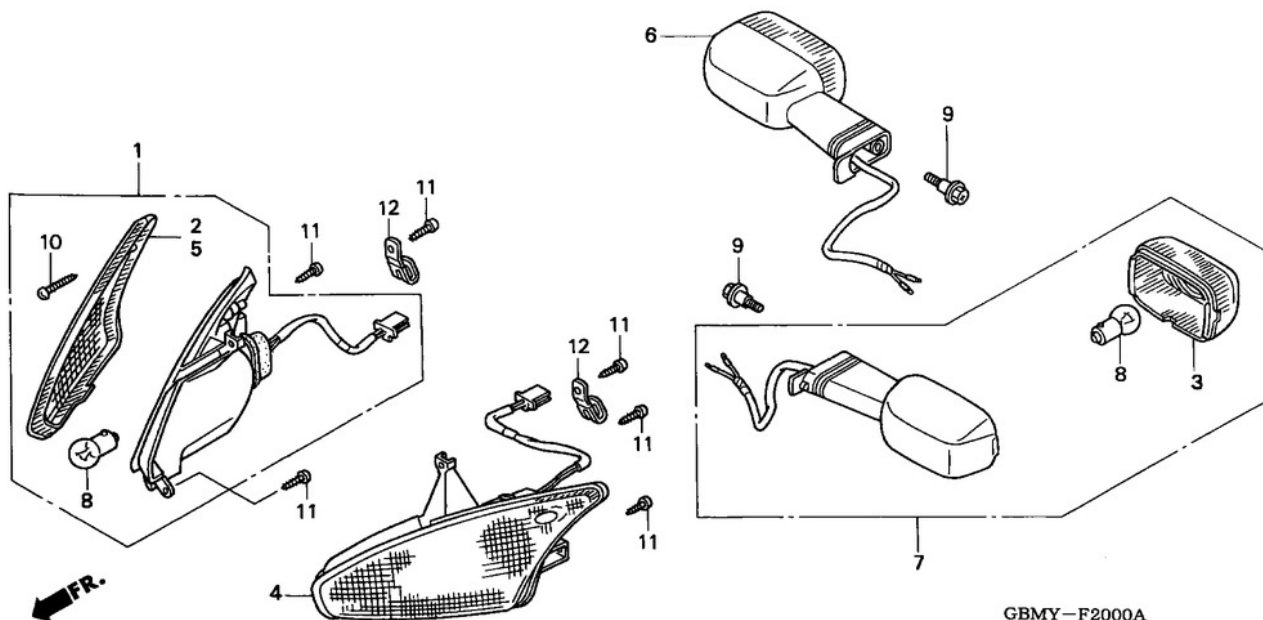


FR.

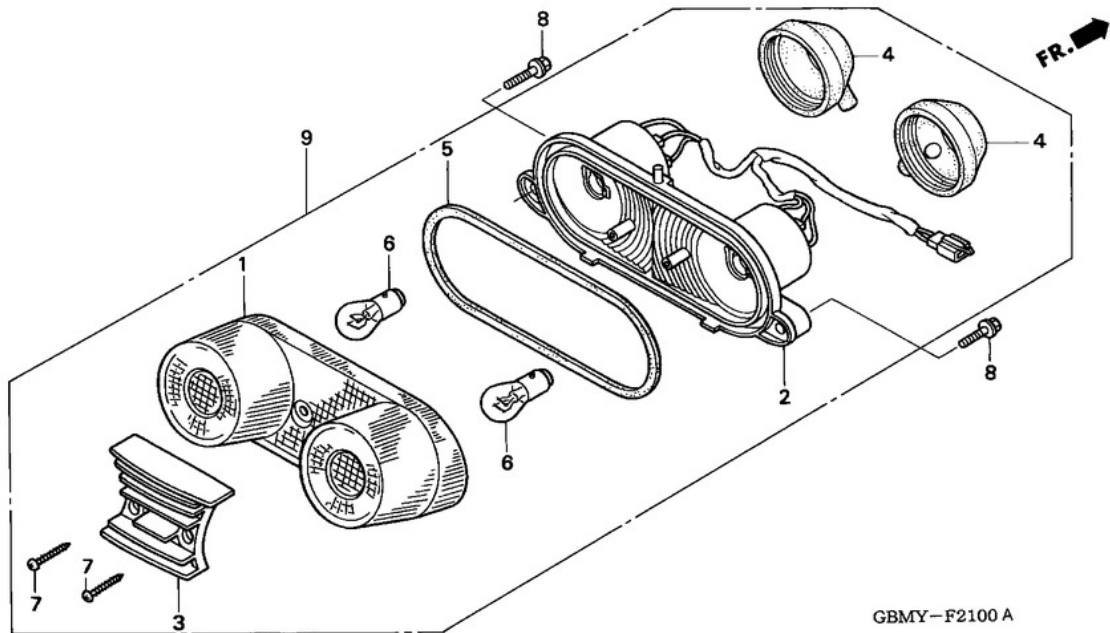
GBMY-F1800

1	ARM ASSY., KICK STARTER	REF. -EPUISÉE	NA
2	STAND COMP., MAIN	50500-GBM-850	NA
3	SHAFT, MAIN STAND	50503-GZ5-700	6.28
4	SPRING, MAIN STAND	50520-GBM-750	5.55
5	SUB SPRING, MAIN STAND	50521-GAV-630	4.10
6	PIN, SPLIT, 2.5X20	94201-25200	0.55
7	BOLT, FLANGE, 6X22	95701-0602207	0.91

JBV JBV JBV

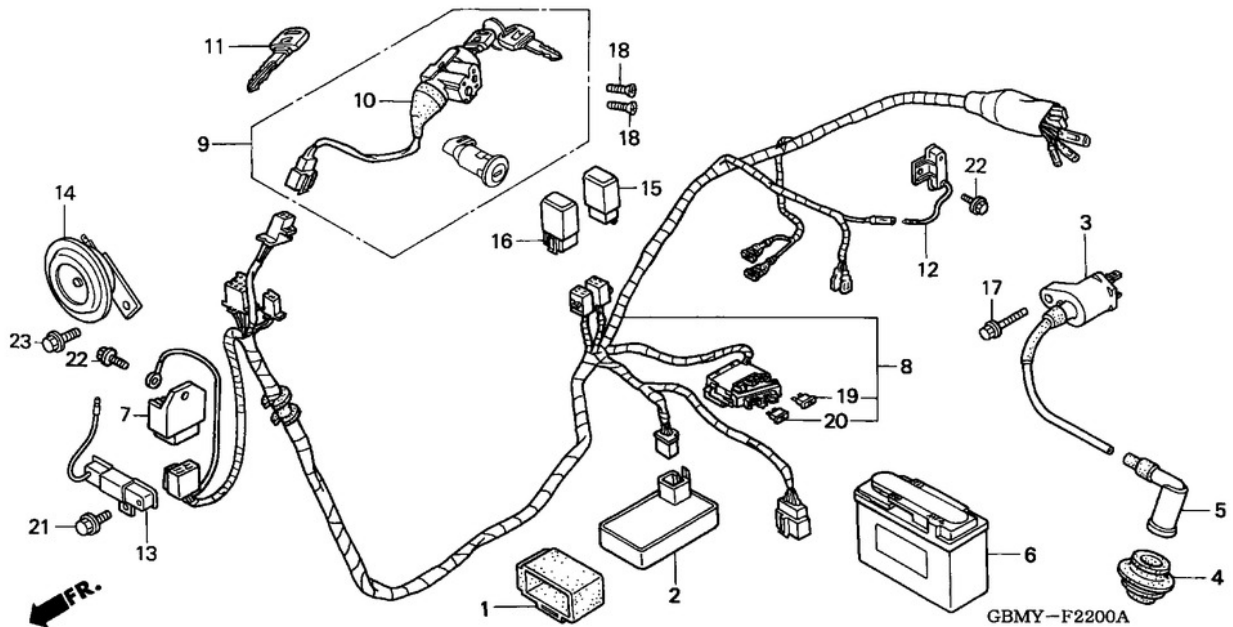


1	WINKER ASSY., R. FR.	33400-GBM-850	28.26
2	LENS, R. WINKER	33401-GBM-850	8.04
3	LENS, WINKER	REF. -EPUISEE	NA
4	WINKER ASSY., L. FR.	33450-GBM-850	28.30
5	LENS, L. WINKER	33451-GBM-850	8.04
6	WINKER ASSY., R. RR.	33600-GBM-850	28.44
7	WINKER ASSY., L. RR.	33650-GBM-850	28.39
8	BULB, WINKER (12V 10W)	34907-415-751	2.45
9	BOLT, SPECIAL, 5X7	91508-PN4-000	2.01
10	SCREW, TAPPING, 4X20	93901-24510	0.59
11	SCREW, TAPPING, 4X12	93903-34380	0.91
12	CLIP, 4X70	94591-47000	1.99



GBMY-F2100 A

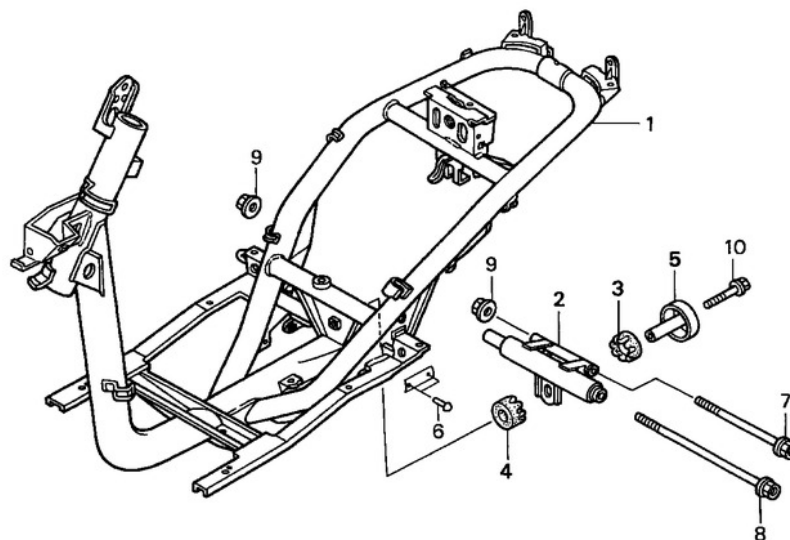
1	LENS, TAILLIGHT	33702-GBM-850	25.87
2	BASE COMP., TAILLIGHT	33703-GBM-850	31.51
3	ORNAMENT, TAILLIGHT	33704-KBS-900	14.23
4	BOOT, TAILLIGHT	33706-GT8-601	7.07
5	PACKING, TAILLIGHT	33709-KBS-900	12.35
6	BULB, TAILLIGHT (12V 21/5W) (STANLEY)	34906-447-711	2.71
7	SCREW, TAPPING, 4X22 (PO)	93911-14580	0.91
8	BOLT, FLANGE, 6X12	95701-0601200	0.77
9	TAILLIGHT ASSY.	33700-GBM-850	73.41



1	CUSHION, C.D.I. UNIT	30401-VM0-000	5.24
2	C.D.I. UNIT	30410-GBM-850	114.73
3	COIL COMP., IGNITION	30510-GBM-850	68.46
4	SEAL, HIGH TENSION TERMINAL	30605-GW0-000	6.08
5	CAP ASSY., NOISE SUPPRESSOR	30700-GR1-010	19.54
6	BATTERY (YUASA) (YTR4A-BS)	31500-181-882	80.00
7	RECTIFIER COMP., REGULATE (SHINDENGEN)	31600-GBL-871	93.37
8	HARNESS, WIRE	32100-GBM-E00	149.11
9	KEY SET	35010-GBM-900	125.91
10	SWITCH ASSY., COMBINATION & LOCK	35100-GBM-900	109.18
11	KEY, BLANK	35121-KEE-630	11.91
12	RESISTOR COMP.	35400-GW0-000	21.85
13	RESISTOR COMP. (30W)	35401-GR1-000	21.50
14	HORN COMP.	REF. -EPUISEE	NA
15	RELAY COMP., STARTER (MATSUSHITA)	38501-GAM-007	48.95
16	RELAY COMP., STOP	38501-GBM-850	46.93
17	BOLT, FLANGE, 5X22	90112-GK8-010	2.30
18	SCREW, FLAT, 6X12	90164-KEE-630	1.33

19	FUSE, BLADE (10A)	91501-GHB-651	1.08
20	FUSE, BLADE (15A)	91501-GHB-661	1.08
21	BOLT, FLANGE, 6X10	95701-0601000	0.77
22	BOLT, FLANGE, 6X12	95701-0601200	0.77
23	BOLT, FLANGE, 8X12	95701-0801200	0.91

JBV JBV JBV JBV JBV JBV JBV JBV



←FR.

GBMY-F2300

1	BODY COMP., FRAME	50100-GBM-W00	NA
2	LINK ASSY., ENGINE HANGER	50350-GBM-750	87.91
3	RUBBER, LINK STOPPER	50352-GW2-000	4.35
4	RUBBER B, LINK STOPPER	50353-GW2-000	5.86
5	COLLAR, DISTANCE	50357-GAV-700	11.29
6	RIVET, BLIND, 2.4X7	90040-GAS-900	1.88
7	BOLT, FLANGE, 10X190	90102-GC5-000	6.89
8	BOLT, ENGINE HANGER, 10X257	90154-461-000	15.91
9	NUT, U, 10MM	90304-GE8-003	4.13
10	BOLT, FLANGE, 8X50	95701-0805000	1.27