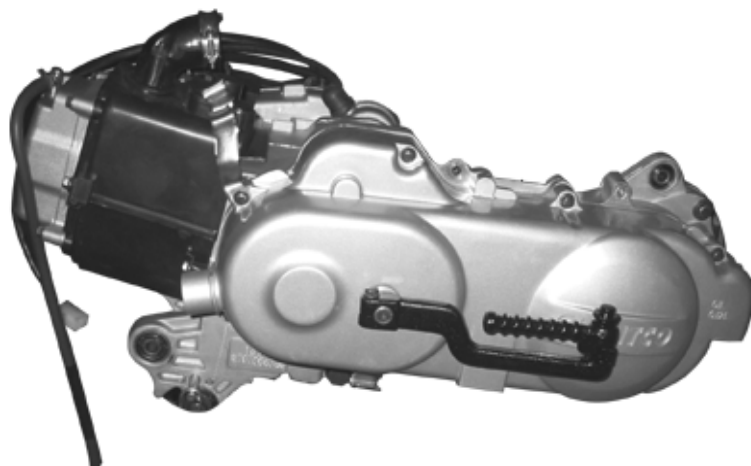


JIANGMEN GIANTCO MOTORCYCLE CO., LTD.



139QM / HY139QMB
50CC 4-STROKE ENGINE
PARTS CATALOGUE

OC INDEX: PC-139QM / HY139QMB (VERSION: 4.5)

PREPARED BY: JinLang, Chris

CHECKED BY: LHY, Chris

DATE OF ISSUE: Dec 2007

INSTRUCTION

- * This catalogue was prepared based on the latest information available as of December 2007.
- * Always specify the part number when ordering.
- * Check the model, type, serial numbers, color, and size as needed before ordering.
- * Note that the illustrations (parts drawings) can differ from the actual parts in shape.
- * When modification or additions to this parts catalogue are made, a revised edition will be issued at an appropriate time.
We recommend obtaining such revisions in order to keep your parts catalogue up-to-date at all times. To check whether a parts catalogue has been issued, please contact your distributor.
- * The parts shown in this catalogue are the lowest denominator. Please note certain parts need to be ordered as a group.

Issue date December 2007

All rights reserved JIANGMEN GIANTCO MOTORCYCLE Co., LTD.

Abbreviations used in the Parts Catalogue

The following abbreviations are used in this parts catalogue.

* ASSY	Assembly	* EX.....	Exhaust
* COMP.....	Complete	* V.....	Volt
* R.....	Right	* W.....	Watt
* L.....	Left	* A.....	Ampere
* FR.....	Front	* A.C.	Alternating Current
* RR.....	Rear	* D.C.	Direct Current
* STD.....	Standard	* C.D.I.	Capacitor Discharge Ignition
* MM.....	Millimeter		

Contents

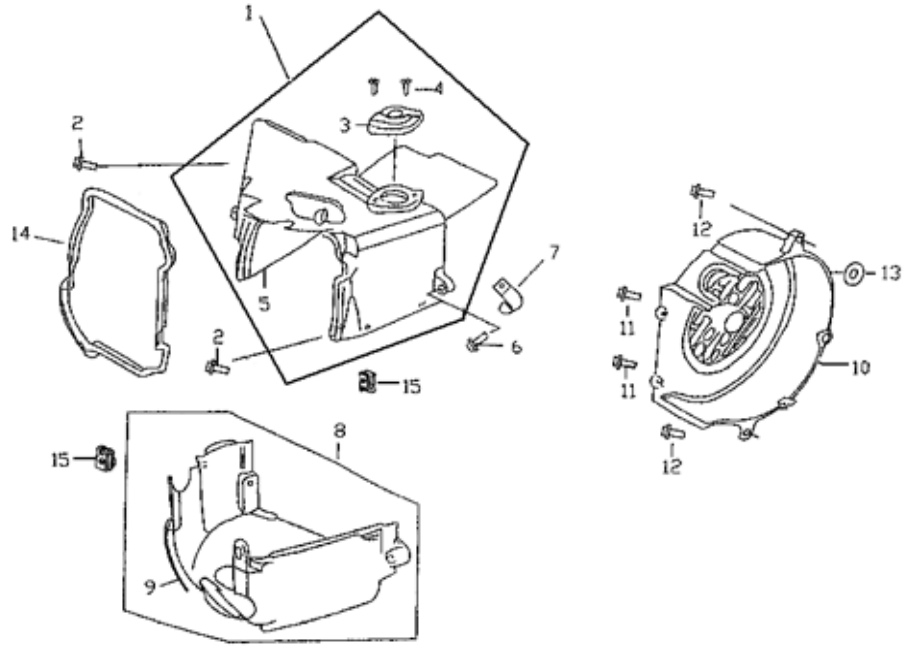
Index	Parts name		Page No.
01	Fan Cover, Engine Cover	风扇盖、引擎罩盖	4
02	Cylinder Head Cover	汽缸头盖	5
03	Second Air Intake	二次补气	6
04	Cylinder Head	汽缸头	7
05	Camshaft, Valve	凸轮轴、气门阀	8
06	Camshaft Chain, Tensioner	正时链条、拉力杆	9
07	Cylinder	汽缸	10
08	Right Crankcase Cover	右曲轴箱盖	11
09	Generator	磁电机	12
10	Oil Pump	机油泵	13
11	Starter Motor	起动马达	14
12	Left Crankcase Cover	左曲轴箱盖	15
13	Flywheel	驱动皮带轮	16
14	Clutch	离合器	17
15	Transmission Box	变速箱	18
16	L & R Crankcase	左右曲轴箱	19
17	Crankshaft, Piston	曲轴、活塞	20
18	Engine Assy	发动机总成	21
19	Carburetor Assy	化油器总成	22

本目录螺栓/螺母编号后：“S”表示镀军绿；“A”表示镀白锌；“CA”表示镀彩锌；“F”表示镀铬。

Regarding the finishing on all "Nuts & Bolts": "S" represents Dark Green; "A" represents Zinc; "CA" represents Color Zinc; "F" represents Chrome.

01 Fan Cover, Engine Cover

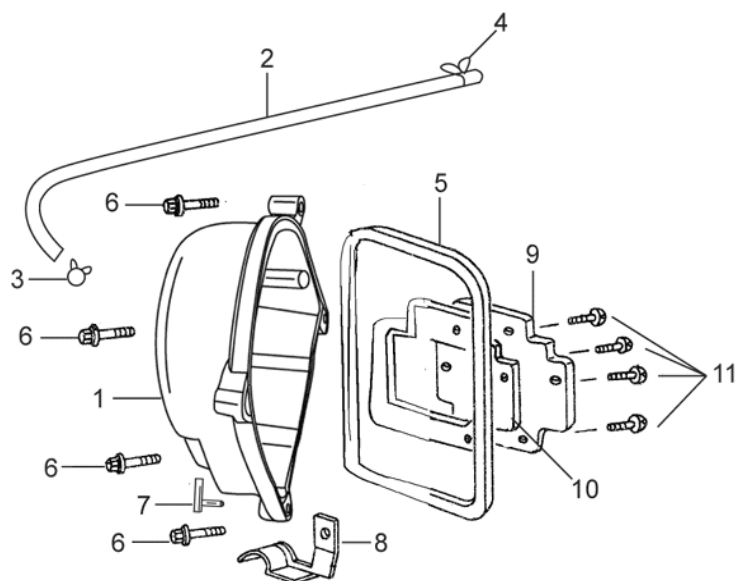
风扇盖、引擎罩盖



1	139.05.001	Engine Cover A, Assy	A罩组合	1	set	
2	G5787-M6*16S	Bolt, M6*16	螺栓M6*16	2	pcs	镀军绿
3	139.13.100	Tensioned Cover	盖板	1	pcs	
4	G845-ST4*12S	Screw, ST4*12	螺钉ST4*12	2	pcs	镀军绿
5	139.15.101	Engine Cover A	A罩	1	pcs	
6	G5787-M6*22S	Bolt, M6*22	螺栓M6*22	1	pcs	镀军绿
7	139.11.503	Clamper, Oil Drain Tube	溢油管夹	1	pcs	
8	139.05.002	Engine Cover B, Assy	B罩组合	1	set	
9	139.15.102	Engine Cover B	B罩	1	pcs	
10	139.05.200	Fan Cover	风扇挡风罩	1	pcs	
11	G845-ST5*16S	Screw, ST5*16	自攻螺钉ST5*16	2	pcs	镀军绿
12	G5787-M6*25S	Bolt, M6*25	螺栓M6*25	2	pcs	镀军绿
13	139.16.001	Rubber Stop	橡皮塞	1	pcs	
14	139.12.114	Seal Ring, Cylinder Head	缸头盖胶圈	1	pcs	
15	139.11.606	Clip, M6	夹母M6	2	pcs	

02 Cylinder Head Cover

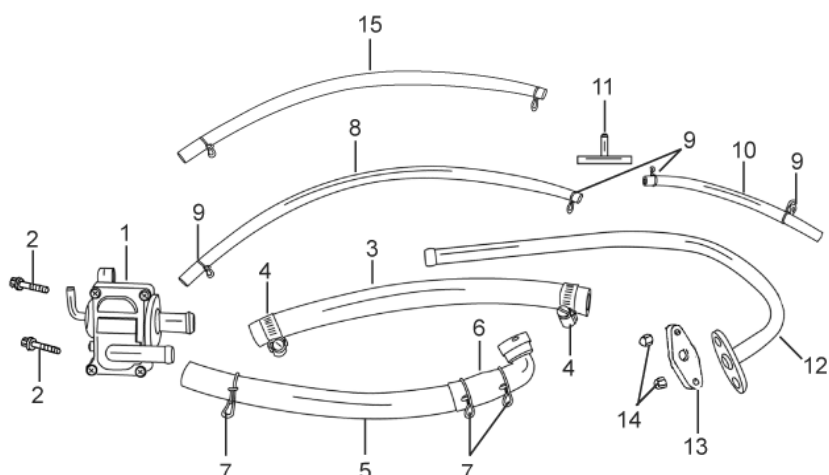
汽缸头盖



1	139.04.301	Cylinder Head Cover	汽缸头盖	1	pcs	
2	139.12.115	Ventilating Tube	通气管	1	pcs	
3	139.11.508	Clip A, Ventilating Tube	通气管夹A	1	pcs	
4	139.11.509	Clip B, Ventilating Tube	通气管夹B	1	pcs	
5	139.12.113	Gasket, Cylinder Head Cover	汽缸头盖罩密封圈	1	pcs	
6	G5787-M6*25S	Bolt, M6*25	螺栓M6*25	4	pcs	镀军绿
7	139.12.855	Ventilating Tube Connector Assy	通气管接头组合	1	pcs	
8	139.12.103	Clip, Vent Tube	通气管夹	1	pcs	
9	139.11.501	Cover, Ventilating Chamber	通气室盖板	1	pcs	
10	139.12.502	Gasket, Ventilating Chamber	通气室密封垫	1	pcs	
11	G845-ST4*8A	Screw, ST4*8	自攻螺钉ST4*8	4	pcs	镀白锌

03 Second Air Intake

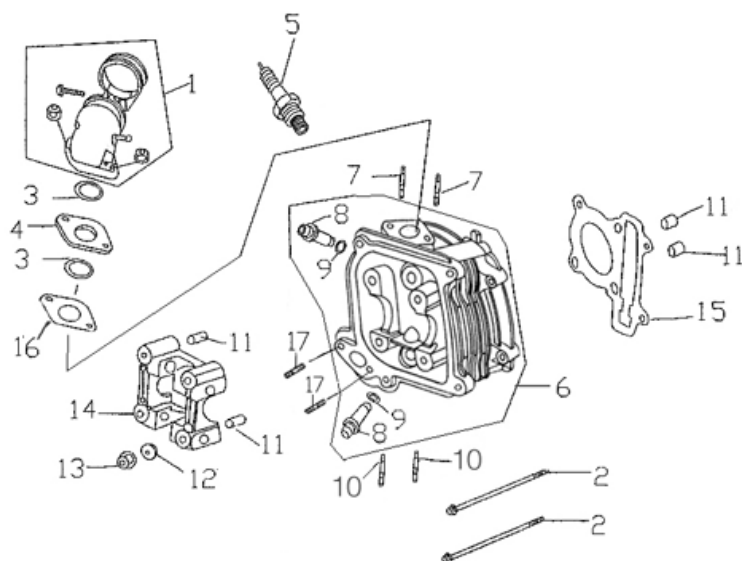
二次补气



1	139.17.953	Second Air intake Assy	二次补气阀总成	1	set	
2	139.12.609	Bolt, M6*40	螺栓M6*40	2	pcs	
3S	139.12.540-1	Tube $\Phi 10.5 \times \Phi 18 \times 240$ (With Band)	高压耐温管240mm(含卡箍)	1	pcs	Sprint / Stealth (B10)
3V	139.12.540-2	Tube $\Phi 10.5 \times \Phi 18 \times 200$ (With Band)	高压耐温管200mm(含卡箍)	1	pcs	Venus
4	139.11.005	Band	卡箍	2	pcs	
5S	139.12.545-1	Air intake tube, $\Phi 11 \times \Phi 17 \times 200$ (With Clip)	进气胶管200mm (含卡簧)	1	pcs	Sprint / Stealth (B10)
5V	139.12.545-2	Air intake tube, $\Phi 11 \times \Phi 17 \times 250$ (With Clip)	进气胶管250mm (含卡簧)	1	pcs	Venus
6	139.11.001	Cap, Air intake pipe (With Clip)	进气弯头 (含卡簧)	1	pcs	
7	139.11.006	Clip (Large)	卡簧 (大)	3	pcs	
8S	139.11.002A	Pressure Tube $\Phi 4 \times \Phi 7.5 \times 410$ (With Clip)	负压管A,410mm (含卡簧)	1	pcs	Sprint (For without Second Air intake)不装补气阀时使用
8.1	139.11.002-2	Pressure Tube $\Phi 4 \times \Phi 7.5 \times 220$ (With Clip)	负压管A,220mm (含卡簧)	1	pcs	
9	139.11.007	Clip (Small)	卡簧 (小)	4	pcs	
10	139.11.004	Pressure Tube, $\Phi 4 \times \Phi 7.5 \times 140$ (With Clip)	负压管B,140mm (含卡簧)	1	pcs	
11	139.11.003	Joint	三通管	1	pcs	
12	139.11.857	Guide Tube Welding Assy	二次补气阀弯管	1	pcs	
13	139.12.860	Gasket	补气弯管纸垫	1	pcs	
14	139.12.553	Guide Tube grip Nut	补气弯管固定螺帽	2	pcs	
15S	139.11.002-1	Pressure Tube $\Phi 4 \times \Phi 7.5 \times 330$ (With Clip)	负压管A,330mm (含卡簧)	1	pcs	Sprint / Stealth (B10)
15V	139.11.002-3	Pressure Tube $\Phi 4 \times \Phi 7.5 \times 200$ (With Clip)	负压管A,200mm (含卡簧)	1	pcs	Venus

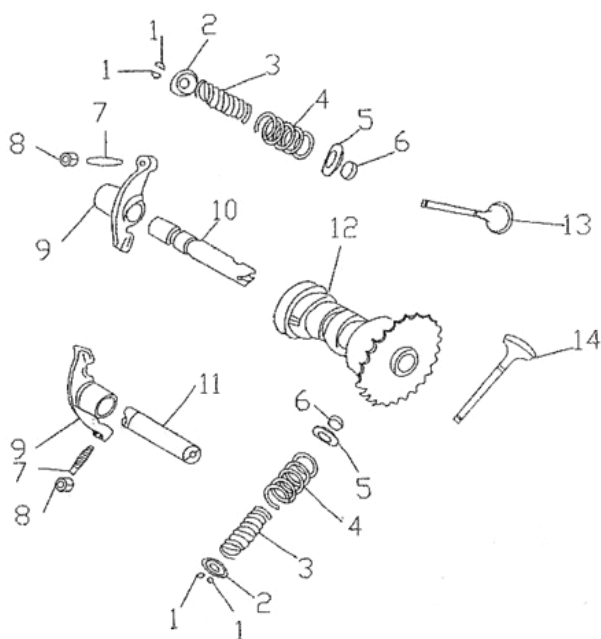
04 Cylinder Head

气缸头



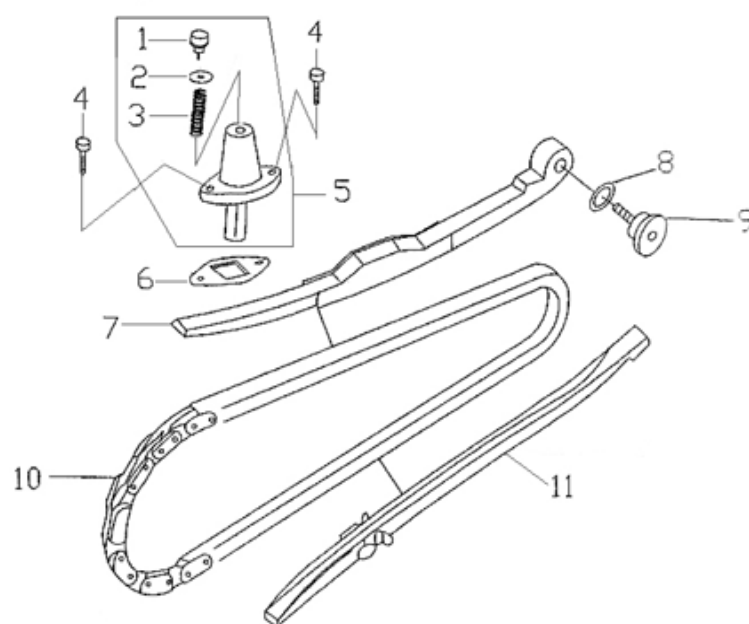
1	139.08.200	Air intake pipe Assy, Carburetor	进气管总成	1	set	
2	G5787-M6*85S	Bolt, M6*85	六角法兰面螺栓M6*85	2	pcs	镀军绿
3	139.12.110	O-Ring $\Phi 21 \times 2$	O形环 $\Phi 21 \times 2$	2	pcs	
4	139.08.201	Insulator underlay, Carburetor	化油器隔热板	1	pcs	
5.1	139.07.200-1	Spark Plug, A7RTC (Anti-jamming)	A7RTC火花塞(抗干扰)	1	pcs	NGK
5.2	139.07.200-2	Spark Plug, A7TC (Un- Anti-jamming)	A7TC火花塞(不抗干扰)	1	pcs	NGK
5.3	139.07.200-3	Spark Plug, CR7HSA (Anti-jamming)	CR7HSA火花塞(抗干扰)	1	pcs	NGK
5.4	139.07.200-4	Spark Plug, C7HSA (Un- Anti-jamming)	C7HSA火花塞(不抗干扰)	1	pcs	NGK
6	139.04.200.50	Cylinder Head Assy (50cc)	气缸头总成(50cc)	1	set	
6A	139.04.200.70	Cylinder Head Assy (70cc)	气缸头总成(70cc)	1	set	
7	G900-M6*63S	Carburetor Bolt, M6*63	化油器双头螺栓M6*63	2	pcs	镀军绿
8	139.04.202	Guide Valve	气门导管	2	pcs	
9	139.04.204	O-Ring, Valve	气门导管垫圈	2	pcs	
10	G900-M6*32S	Exhaust Muffler Bolt, M6*32	排气管双头螺栓M6*32	2	pcs	镀军绿
11	139.11.512	Pin, $\Phi 8 \times \Phi 7.1 \times 14$	定位销 $\Phi 8 \times \Phi 7.1 \times 14$	4	pcs	
12	G96-8A	Washer, $\Phi 8 \times \Phi 14 \times 2$	垫圈 $\Phi 8 \times \Phi 14 \times 2$	4	pcs	镀白锌
13	G6177-M8A	Nut, M8	法兰面螺母M8	4	pcs	镀白锌
14	139.02.101	Frame, Camshaft	摇臂支架	1	pcs	
15	139.04.401.50	Gasket, Cylinder Head (50cc)	缸头垫片(50cc)	1	pcs	
15A	139.04.401.70	Gasket, Cylinder Head (70cc)	缸头垫片(70cc)	1	pcs	
16	139.12.110A	Gasket	纸垫	1	pcs	
17	G900-M6*28S	Bolt, M6*28	双头螺栓M6*28	2	pcs	镀军绿

05 Camshaft, Valve 凸轮轴、气门阀



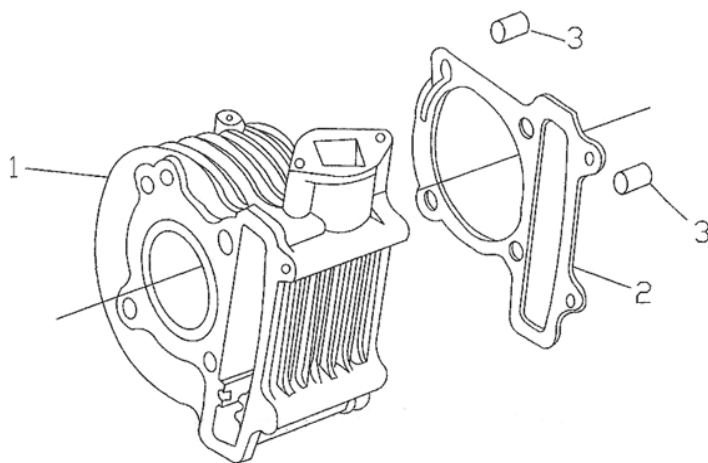
1	139.04.212	Clip, Valve Lock	气门锁夹	4	pcs	
2	139.04.210	Retainer, Valve Spring	气门弹簧保持器	2	pcs	
3	139.04.208	Spring, Valve Inner	气门内弹簧	2	pcs	
4	139.04.209	Spring, Valve Outer	气门外弹簧	2	pcs	
5	139.04.211	Retainer, Valve Spring	气门弹簧座	2	pcs	
6	139.12.105	Oil Seal, Valve	气门油封	2	pcs	
7	139.02.105	Screw, Tappet Adjusting	气门间隙调节螺钉	2	pcs	
8	139.02.106	Nut, Tappet Adjusting	气门调节螺母	2	pcs	
9	139.02.102	Arm, Valve	气门摇臂	2	pcs	
10	139.02.103	Valve, Intake Rocker Arm	进气门摇臂轴	1	pcs	
11	139.02.104	Shaft, EX. Rocker Arm	排气门摇臂轴	1	pcs	
12	139.02.200.50	Camshaft Comp (50cc)	凸轮轴总成(50cc)	1	set	
12A	139.02.200.70	Camshaft Comp (70cc)	凸轮轴总成(70cc)	1	set	
13	139.04.206.50	Valve Intake (50cc)	进气门(50cc)	1	pcs	
13A	139.04.206.70	Valve Intake (70cc)	进气门(70cc)	1	pcs	
14	139.04.207.50	Valve Ex. (50cc)	排气门(50cc)	1	pcs	
14A	139.04.207.70	Valve Ex. (70cc)	排气门(70cc)	1	pcs	

06 Camshaft Chain, Tensioner 正时链条、拉力杆



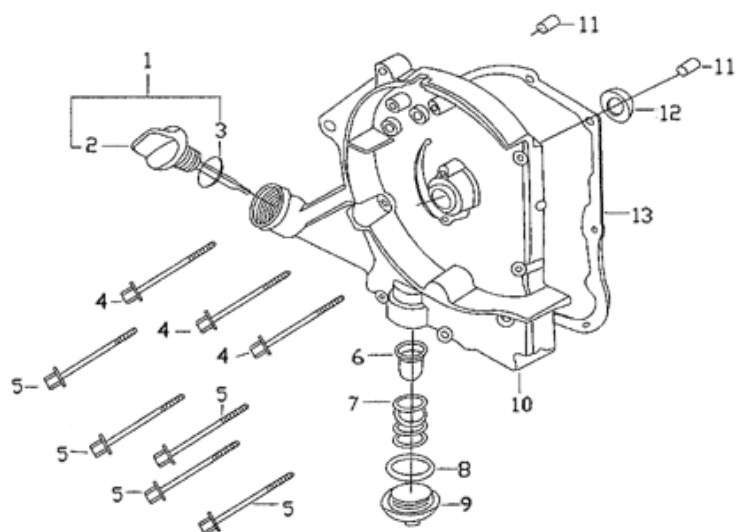
1	139.02.308	Bolt	张紧器螺栓	1	pcs	
2	139.02.307	Gasket	垫片	1	pcs	
3	139.02.306	Spring, Gear	齿轮压紧弹簧	1	pcs	
4	G5787-M6*16S	Bolt, M6*16	螺栓M6*16	2	pcs	镀军绿
5	139.02.304	Tensioned Assy	链条调整器	1	pcs	
6	139.12.306	Gasket, Tensioned Lifter	链条调整器纸垫	1	pcs	
7	139.02.501	Staff, Tensioned Lifter	分气链条拉力杆	1	pcs	
8	139.12.108	O-ring, $\Phi 15.2 \times 1.5$	O形圈 $\Phi 15.2 \times 1.5$	1	pcs	
9	139.02.503	Screw	拉力杆固定螺栓	1	pcs	
10	139.02.400	Camshaft Chain	正时链条	1	pcs	
11	139.02.502	Guide, Chain	链条导件	1	pcs	

07 Cylinder 汽缸



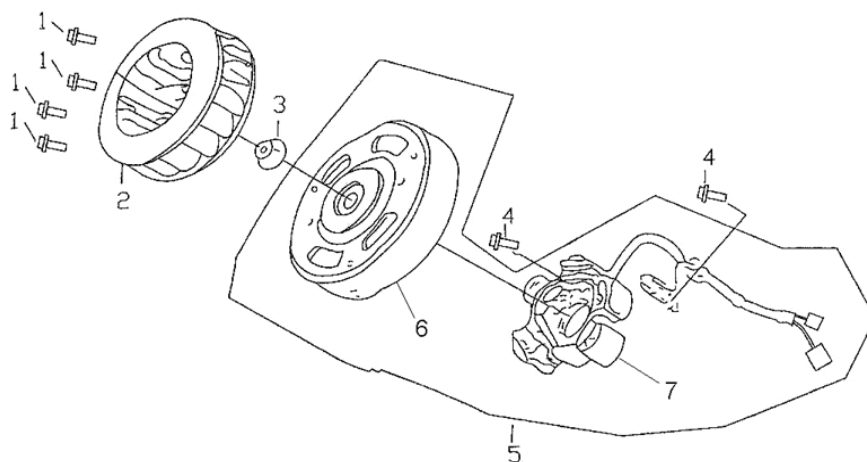
1	139.04.100.50	Cylinder Assy (50cc)	气缸体组合(50cc)	1	set	
1A	139.04.100.70	Cylinder Assy (70cc)	气缸体组合(70cc)	1	set	
2	139.12.304	Gasket, Cylinder	气缸体纸垫	1	pcs	
3	139.11.512	Pin, $\Phi 8 \times \Phi 7.1 \times 14$	定位销 $\Phi 8 \times \Phi 7.1 \times 14$	2	pcs	

08 Right Crankcase Cover 右曲轴箱盖



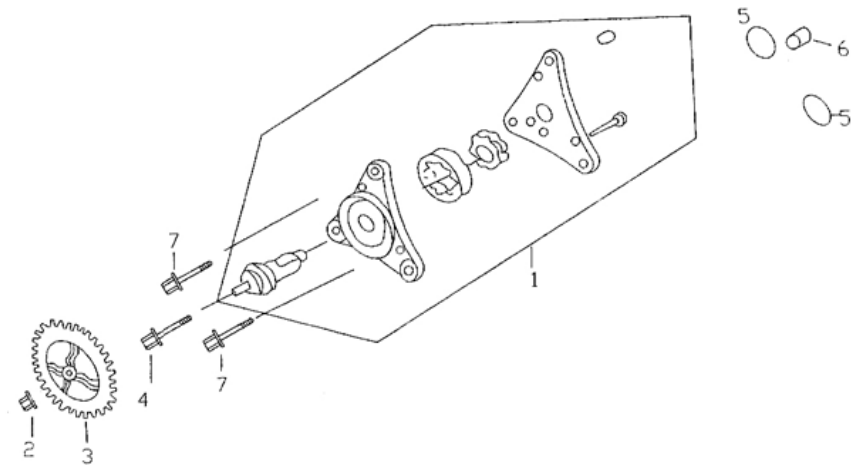
1	139.12.200	Gauge, Oil Levered Assy	机油尺组件	1	set	
2	139.12.201	Gauge, Oil Levered	机油尺	1	pcs	
3	139.12.109	O-Ringed, $\Phi 18 \times 3$	O形圈 $\Phi 18 \times 3$	1	pcs	
4	G5787-M6*85S	Bolt, M6*85	螺栓M6*85	4	pcs	镀军绿
5	G5787-M6*100S	Bolt, M6*100	螺栓M6*100	4	pcs	镀军绿
6	139.09.002	Cap, Oil Filter	机油滤网	1	pcs	
7	139.09.003	Spring, Oil Filter Cap	滤油网弹簧	1	pcs	
8	139.12.112	O-Ringed, $\Phi 30.8 \times 3.2$	O形圈 $\Phi 30.8 \times 3.2$	1	pcs	
9	139.09.001	Cover, Oil Filter Screen	滤油网螺帽盖	1	pcs	
10	139.03.004	Right Crankcase Cover	右曲轴箱盖	1	pcs	
11	139.11.511	Pin, $\Phi 8 \times \Phi 6.5 \times 14$	定位销 $\Phi 8 \times \Phi 6.5 \times 14$	2	pcs	
12	139.12.101-16.4*30*5	Oil Seal, R-Cover, $\Phi 16.4 \times \Phi 30 \times 5$	油封 $\Phi 16.4 \times \Phi 30 \times 5$	1	pcs	
13	139.12.303	Gasket, R-Cover	右箱盖纸垫	1	pcs	

09 Generator 磁电机



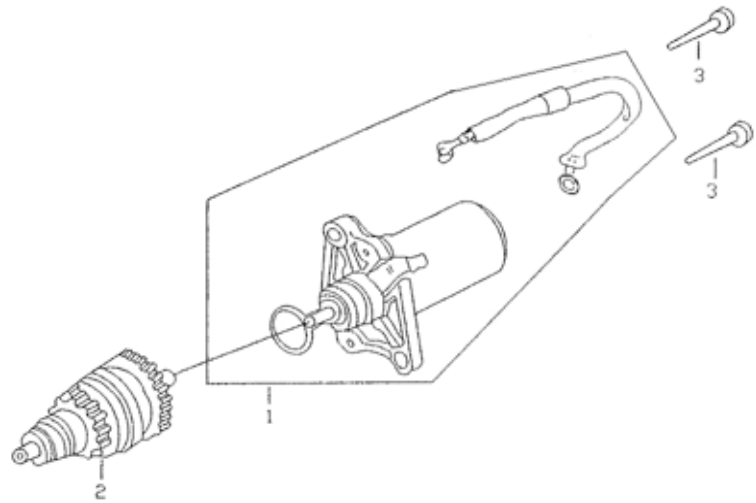
1	G5787-M6*18A	Bolt, M6*18	螺栓M6*18	4	pcs	镀白锌
2	139.05.100	Cooling Fan	风扇叶轮	1	pcs	
3	G6177-M10*1.25A	Nut, M10*1.25	螺母M10*1.25	1	pcs	镀白锌
4	G5783-M5*12A	Bolt, M5*12	螺栓M5*12	2	pcs	镀白锌
5	139.07.101A	Generator Assy	磁电机总成	1	set	
6	139.07.101-1	Rotor, Generator	磁电机转子	1	pcs	
7	139.07.101-2	Stator, Generator	磁电机定子	1	pcs	

10 Oil Pump 机油泵



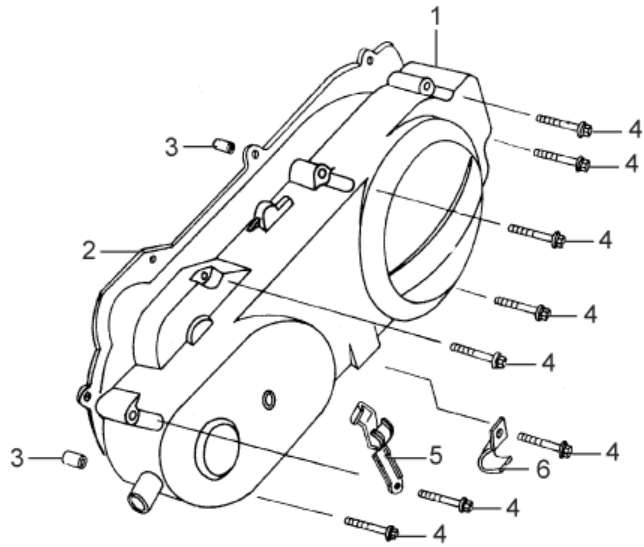
1	139.09.100	Oil Pump Assy	机油泵总成	1	set	
2	G6177-M6A	Nut, M6	螺母M6	1	pcs	镀白锌
3	139.09.200	Chain, Oil Pump Diver	机油泵驱动链轮	1	pcs	
4	G5787-M6*25A	Bolt, M6*25	螺栓M6*25	1	pcs	镀白锌
5	139.12.107	O-ring, $\Phi 9 \times 1.5$	O形圈 $\Phi 9 \times 1.5$	2	pcs	
6	139.11.510	Pin, $\Phi 8 \times \Phi 6.5 \times 12$	定位销 $\Phi 8 \times \Phi 6.5 \times 12$	1	pcs	
7	G5787-M6*20A	Bolt, M6*20	螺栓M6*20	2	pcs	镀白锌

11 Starter Motor 起动马达



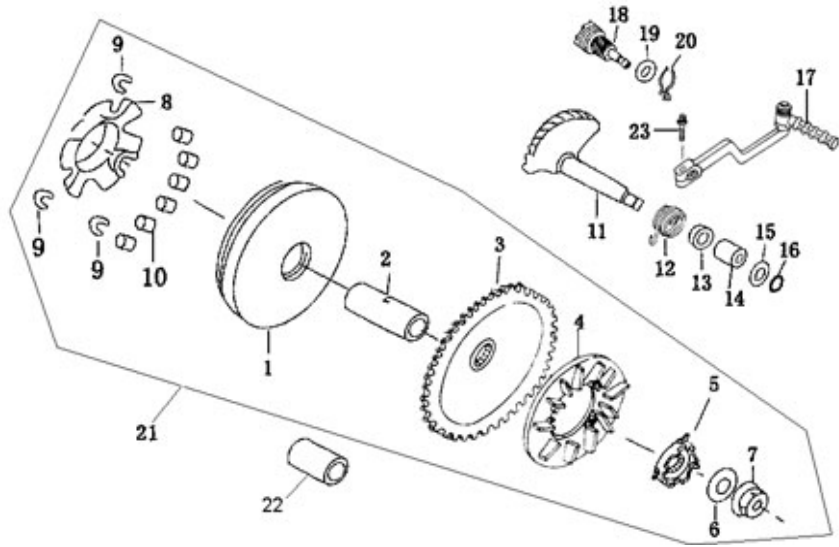
1	139.07.500	Starter Motor Assy	起动电机	1	set	
2	139.06.200	Single Director Assy	电起动单向减速齿轮	1	pcs	
3	G5787-M6*22S	Bolt, M6*22	螺栓M6*22	2	pcs	镀军绿

12 Left Crankcase Cover 左曲轴箱盖



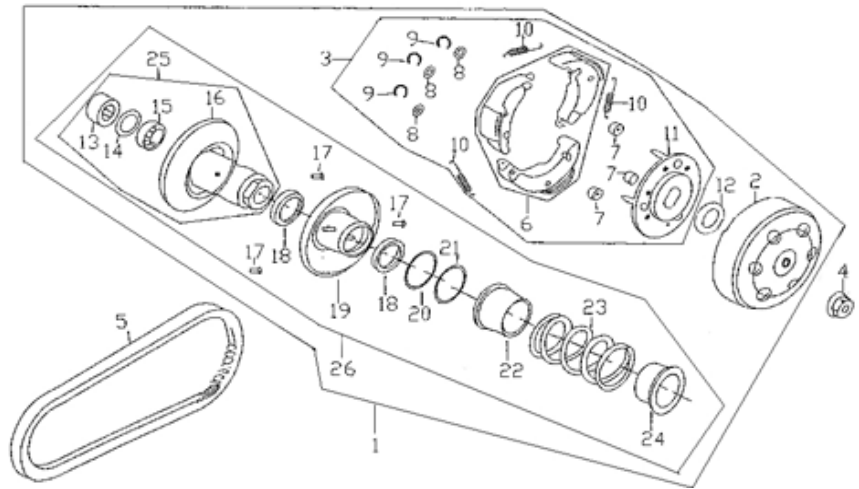
1A	139.03.003-A	L Crankcase Cover	左曲轴箱盖	1	pcs	Sprint / Venus
1B	139.03.003-B	L Crankcase Cover (Extended)	左曲轴箱盖(加长)	1	pcs	Stealth (B10)
2A	139.12.302-A	Gasket, L-Cover	左箱盖纸垫	1	pcs	Sprint / Venus
2B	139.12.302-B	Gasket, L-Cover (Extended)	左箱盖纸垫(加长)	1	pcs	Stealth (B10)
3	139.11.511	Pin, $\Phi 8 \times \Phi 6.5 \times 14$	定位销 $\Phi 8 \times \Phi 6.5 \times 14$	2	pcs	
4	G5787-M6*35S	Bolt, M6*35	螺栓M6*35	8	pcs	镀军绿
5	139.11.505	Clamper	线夹	1	pcs	
6	139.11.504	Clamper, Brake Cable	刹车线夹	1	pcs	

13 Flywheel 驱动皮带轮



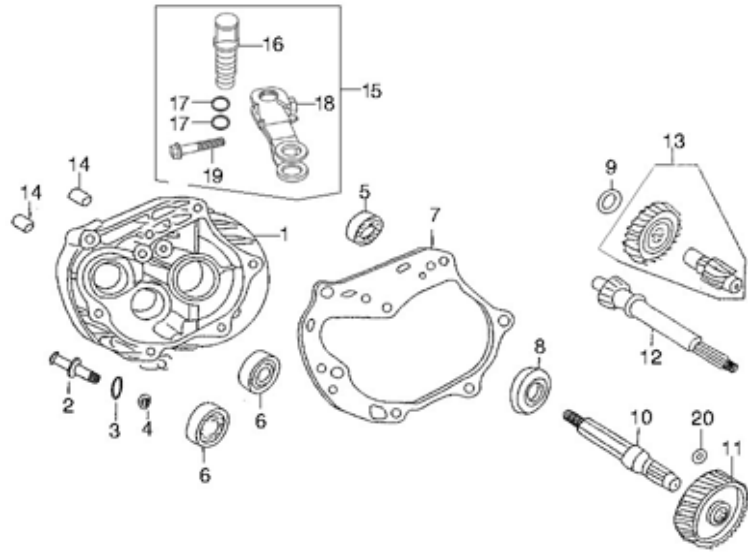
1	139.10.108	Right Part, Driver	主动轮右半轮	1	pcs	
2	139.10.106	Bush, Driver	主动轮轴套	1	pcs	
3	139.10.103	Gear, Driver	主固定齿轮	1	pcs	
4	139.10.102	Fan, Driver	风扇叶轮	1	pcs	
5	139.10.101	Plate, Driver	起动盘	1	pcs	
6	139.11.406	Gasket, $\Phi 12 \times \Phi 20 \times 2$	垫圈 $\Phi 12 \times \Phi 20 \times 2$	1	pcs	
7	G6177-M12*1.25A	Nut, M12*1.25	螺母M12*1.25	1	pcs	镀白锌
8	139.10.105	Plate, Ramp	斜坡板	1	pcs	
9	139.10.104	Buffer Plate Drive	斜坡板边件	3	pcs	
10	139.10.107	Roller, 5.7g	滚珠 5.7g	6	pcs	
11	139.06.500	Rick, Shaft Comp.	起动轴组合	1	pcs	
12	139.06.101	Spring, Torsion	起动回位扭簧	1	pcs	
13	139.06.104	Bush (inside dia. $\Phi 22$)	衬套(内径 $\Phi 22$)	1	pcs	
14	139.06.102	Bush, $\Phi 12 \times \Phi 16 \times 12$	起动轴衬套 $\Phi 12 \times \Phi 16 \times 12$	1	pcs	
15	139.11.403	Gasket, Startup Shaft	起动轴垫圈	1	pcs	
16	G894.1-14A	Clip, $\Phi 14$	挡圈 $\Phi 14$	1	pcs	镀白锌
17	139.06.300	Arm Assy, Kick (Normal narrow pedal)	脚起动杆组合(普通窄踏板)	1	pcs	
17.1	139.06.300A	Arm Assy, Kick (New broad pedal)	脚起动杆组合(新款宽踏板)	1	pcs	For 50CC 4T Model
18	139.06.400	Gear Comp	起动从动齿轮组合	1	pcs	
19	139.11.404	Gasket, $\Phi 8.5$	挡圈 $\Phi 8.5$	1	pcs	
20	139.06.301	Spring, Friction	磨擦弹簧	1	pcs	
21	139.10.100	Flywheel Assy	主动轮总成	1	pcs	
22.1	139.06.150-25	25Km/h, speed collar	25Km/h限速衬套	1	pcs	See to order form
22.2	139.06.150-30	30Km/h, speed collar	30Km/h限速衬套	1	pcs	See to order form
22.3	139.06.150-45	45Km/h, speed collar	45Km/h限速衬套	1	pcs	See to order form
23	G5783-M6*22S	Bolt, M6*22	六角头螺栓M6*22	1	pcs	镀军绿

14 Clutch 离合器



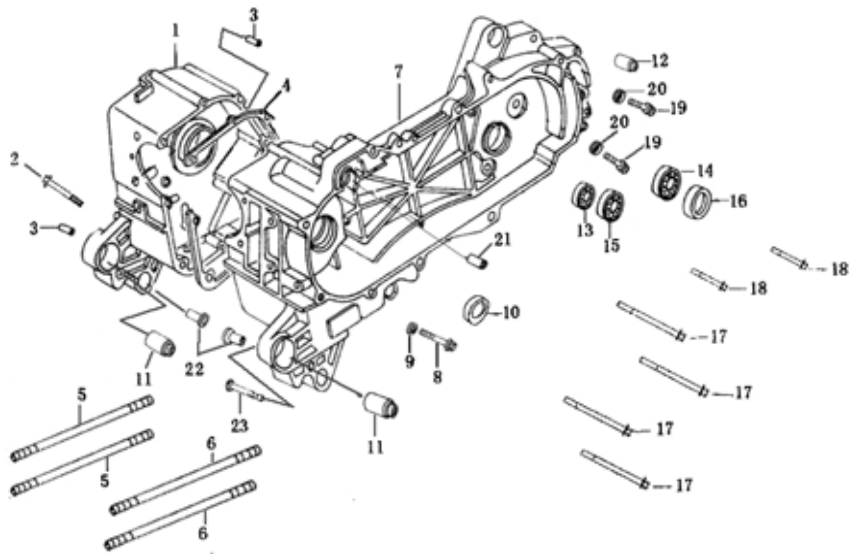
1	139.10.200	Clutch Assy	从动轮总成	1	set	
2	139.10.210	Clutch Cover	离合器外套	1	pcs	
3	139.10.220	Plate-Assy, Clutch	离合器蹄块组总成	1	set	Need about 1 month
4	G6177-M10*1.25A	Nut, M10*1.25	螺母M10*1.25	1	pcs	镀白锌
5A	139.10.300-A	Belt	皮带	1	pcs	Sprint / Venus
5B	139.10.300-B	Belt (Extended)	皮带(加长)	1	pcs	Stealth (B10)
6	139.10.250	Shoe Assy	蹄块组件	1	set	Cannot be sourced separately. 不能单独购买
7	139.10.222	Buffer Stop	缓冲橡胶	3	pcs	
8	G97.3-6A	Washer	垫圈	3	pcs	
9	G896-6A	Clip	开口挡圈	3	pcs	
10	139.10.223	Spring, Clutch	离合器拉簧	3	pcs	
11	139.10.260	Plate Comp., Drive	驱动板柳接组合	1	pcs	
12	139.10.209	Nut, Special	六角螺母	1	pcs	
13	139.10.205	Bearing Needle	滚针轴承	1	pcs	Cannot be sourced separately. 不能单独购买
14	G893.1-24A	Clip	孔用弹性挡圈	1	pcs	
15	G276-61901-LS	Bearing	深沟球轴承	1	pcs	
16	139.10.232	Right Comp, Driver	从动轮皮带盘	1	pcs	
17	139.10.206	Guide Pin	导向销	3	pcs	Cannot be sourced separately. 不能单独购买
18	139.10.204	Oil Seal	油封	2	pcs	
19	139.10.240	Left Comp, Driver	从动滑动皮带轮组合	1	pcs	
20	139.10.207	O-ring A, Driver	O形密封圈A	1	pcs	
21	139.10.208	O-ring B, Driver	O形密封圈B	1	pcs	
22	139.10.203	Sleeve, Oil Seal	油封套筒	1	pcs	Not less than 500
23	139.10.201	Spring, Driver	驱动弹簧	1	pcs	Not less than 500
24	139.10.202	Sleeve, Spring	弹簧套筒	1	pcs	Not less than 500
25	139.10.270	Belt Base, Bearing Needle	滚针轴承皮带盘	1	pcs	Not less than 500
26	139.10.280	Body, Driver	从动轮主体	1	pcs	Not less than 300

15 Transmission Box 变速箱



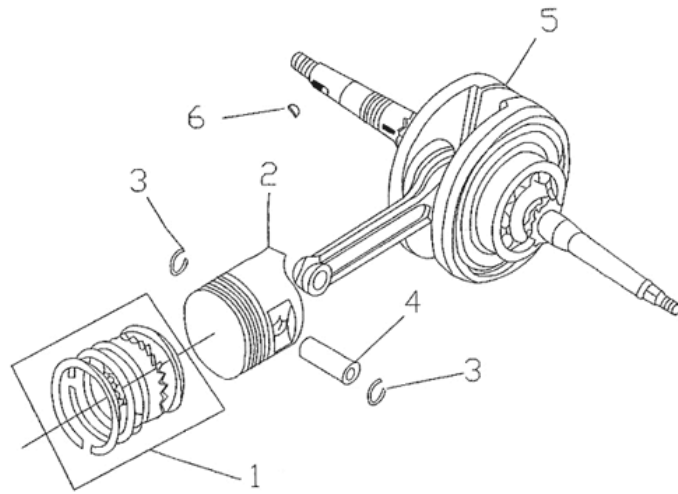
1	139.03.005	Transmission Box	变速箱箱体	1	pcs	
2	139.11.514	Brake Pedal Install Shaft	制动销轴	1	pcs	
3	139.12.106	O-ring, $\Phi 7.5 \times \Phi 1.5$	O形圈 $\Phi 7.5 \times \Phi 1.5$	1	pcs	
4	G6187-M8A	Nut, M8	M8自锁螺母	1	pcs	镀白锌
5	G276-6004-2RS	6004 Bearing	6004轴承	1	pcs	
6	G276-6201/P6	6201 Bearing	6201轴承	2	pcs	
7	139.12.305	Gasket, Transmission Box	变速箱箱体纸垫	1	pcs	
8	139.12.102	Oil Seal, $\Phi 27 \times \Phi 42 \times 7$	油封 $\Phi 27 \times \Phi 42 \times 7$	1	pcs	
9	139.12.309	Washer, $\Phi 12$	塑料垫片 $\Phi 12$	1	pcs	
10	139.10.402	Shaft, Final, L=133mm	最终轴 L=133mm	1	pcs	
11	139.10.403	Gear, Final	最终齿轮	1	pcs	
12	139.10.401	Shaft, Drive	驱动轴	1	pcs	
13	139.10.410	Countershaft Assy	副轴组	1	set	
14	139.11.513	Pin, $\Phi 10 \times \Phi 8.5 \times 20$	定位销 $\Phi 10 \times \Phi 8.5 \times 20$	2	pcs	
15	139.18.200	Arm Assy, Rear Brake	后制动摇臂组合	1	set	
16	139.18.201	Shaft, Rear Brake	后制动摇臂轴	1	pcs	
17	139.18.202	O-ring, $\Phi 11.5 \times \Phi 14.2 \times 1.5$	O形圈 $\Phi 11.5 \times \Phi 14.2 \times 1.5$	2	pcs	
18	139.18.203	Arm, Rear Brake	后制动摇臂	1	pcs	
19	G5788-M6*32S	Bolt, M6*32	六角法兰面螺栓M6*32	1	pcs	镀军绿
20	G894.1-20	Clip, $\Phi 20$	卡簧 $\Phi 20$	1	pcs	

16 L & R Crankcase 左右曲轴箱



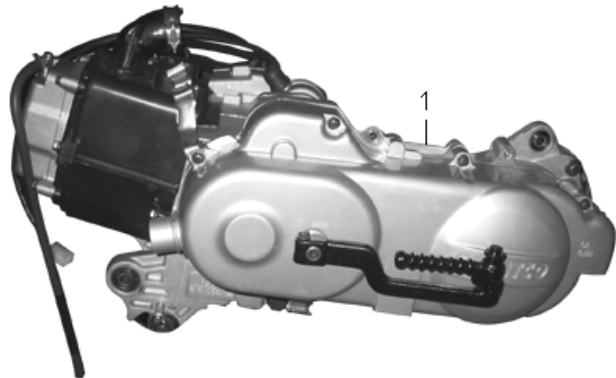
1	139.03.002	R Crankcase Assy	右箱体组合	1	set	
2	G5787-M6*50S	Bolt, M6*50	螺栓M6*50	1	pcs	镀军绿
3	139.11.512	Pin, $\Phi 8 \times \Phi 7.1 \times 14$	定位销 $\Phi 8 \times \Phi 7.1 \times 14$	2	pcs	
4	139.12.301	Gasket, Crankcase	曲轴箱体纸垫	1	pcs	
5	139.11.204	Bolt, M7*168	双头螺栓M7*168	2	pcs	
6	139.11.205	Bolt, M7*175	双头螺栓M7*175	2	pcs	
7A	139.03.001-A	L Crankcase Assy	左曲轴箱体	1	pcs	Sprint / Venus
7B	139.03.001-B	L Crankcase Assy (Extended)	左曲轴箱体(加长)	1	pcs	Stealth (B10)
8	139.03.007	Drain Plug	放油螺栓	1	pcs	
9	139.03.008	Gasket, Drain Plug	放油螺栓垫片	1	pcs	
10	139.12.101-19.8*30*5	Oil Seal, $\Phi 19.8 \times \Phi 30 \times 5$	油封 $\Phi 19.8 \times \Phi 30 \times 5$	1	pcs	
11	139.12.116	Spacer, Engine Frame $\Phi 10$	吊架隔套 $\Phi 10$	2	pcs	
12	139.12.117	Spacer, Damper, (inner dia. $\Phi 8$)	后减震套(内径 $\Phi 8$)	1	pcs	
13	G276-6201/P6	Bearing, 6201/P6	轴承 6201/P6	1	pcs	
14	G276-6303/P6	Bearing, 6303/P6	轴承 6303/P6	1	pcs	
15	G276-6203/P6	Bearing, 6203/P6	轴承 6203/P6	1	pcs	
16	139.12.104-17*30*6	Oil Seal, $\Phi 17 \times \Phi 30 \times 6$	油封 $\Phi 17 \times \Phi 30 \times 6$	1	pcs	
17	G5787-M8*35S	Bolt, M8*35	六角法兰面螺栓M8*35	4	pcs	镀军绿
18	G5787-M8*40S	Bolt, M8*40	六角法兰面螺栓M8*40	2	pcs	镀军绿
19	G5787-M8*12S	Bolt, M8*12	六角法兰面螺栓M8*12	2	pcs	镀军绿
20	G96-8S	Washer, $\Phi 8$	垫圈 $\Phi 8$	2	pcs	镀军绿
21	139.03.012	Bushing, Starter Motor	起动电机轴套	1	pcs	
22	139.03.013	Main-Stand Install Bushing	主支撑安装轴套	2	pcs	
23	139.03.015	Main -Stand Spring Fixing Shaft	主支撑弹簧固定轴	1	pcs	

17 Crankshaft, Piston 曲轴、活塞



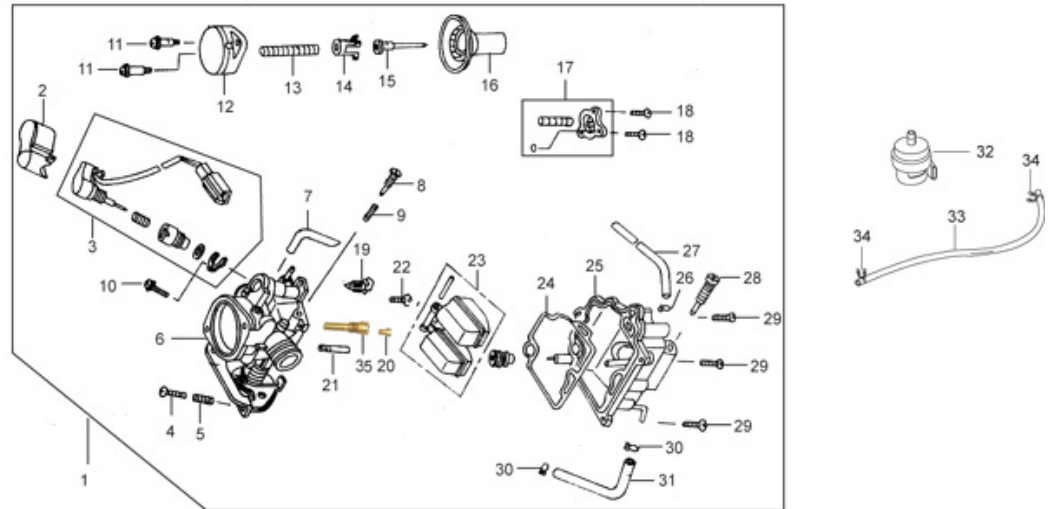
1	139.01.302-306.50	Ring Piston Comp (50cc)	活塞环组合(50cc)	1	set	
1A	139.01.302-306.70	Ring Piston Comp (70cc)	活塞环组合(70cc)	1	set	
2	139.01.301.50	Piston (50cc)	活塞(50cc)	1	pcs	
2A	139.01.301.70	Piston (70cc)	活塞(70cc)	1	pcs	
3	139.01.308	Piston Pin Clip	活塞销卡环	2	pcs	
4	139.01.307.50	Pin Piston (50cc)	活塞销(50cc)	1	pcs	
4A	139.01.307.70	Pin Piston (70cc)	活塞销(70cc)	1	pcs	
5	139.01.100	Crankshaft Connection Assy	曲轴连杆组件	1	set	
6	139.11.101	Woodruff Key, $\Phi 3 \times \Phi 2.5 \times 25$	半圆键 $\Phi 3 \times \Phi 2.5 \times 25$	1	pcs	

18 Engine Assy 发动机总成



1A	139.00.000-A-25	50cc 4-Stroke Engine Assy (25km/h)	50cc 4冲发动机总成(25km/h)	1	set	
1.1A	139.00.000-A-30	50cc 4-Stroke Engine Assy (30km/h)	50cc 4冲发动机总成(30km/h)	1	set	
1.2A	139.00.000-A-45	50cc 4-Stroke Engine Assy (45km/h)	50cc 4冲发动机总成(45km/h)	1	set	
1B	139.00.000-B-25	50cc 4-Stroke Engine Assy (Extended / 25km/h)	50cc 4冲发动机总成(加长/25km/h)	1	set	Stealth (B10)
1.1B	139.00.000-B-30	50cc 4-Stroke Engine Assy (Extended / 30km/h)	50cc 4冲发动机总成(加长/30km/h)	1	set	Stealth (B10)
1.2B	139.00.000-B-45	50cc 4-Stroke Engine Assy (Extended / 45km/h)	50cc 4冲发动机总成(加长/45km/h)	1	set	Stealth (B10)

19 Carburetor Assy 化油器总成



1	HY50QT4-D020000	Carburetor Assy	化油器总成	1	set	
2	HY50QT4-D020001	Cap, Starter Valve	起动阀盖	1	pcs	
3	HY50QT4-D020002	Valve Set ,Starter	起动阀组合	1	pcs	
4	HY50QT4-D020003	Bolt	螺钉	1	pcs	
5	HY50QT4-D020004	Spring	弹簧	1	pcs	
6	HY50QT4-D020005	Carburetor Body	化油器主体	1	pcs	
7	HY50QT4-D020006	Breather Tube	通气管	1	pcs	
8	HY50QT4-D020007	Adjuster Screw, Mixing	混合比调整螺钉	1	pcs	
9	HY50QT4-D020008	Spring	弹簧	1	pcs	
10	HY50QT4-D020009	Bolt	螺钉	2	pcs	
11	HY50QT4-D020010	Bolt	螺钉	1	pcs	
12	HY50QT4-D020011	Upper Cover Assy	上盖组合	1	pcs	
13	HY50QT4-D020012	Spring	弹簧	1	pcs	
14	HY50QT4-D020013	Plate Set	节气阀片	1	pcs	
15	HY50QT4-D020014	Jet Needle	油针	1	pcs	
16	HY50QT4-D020015	Piston Comp. Vacuum	膜片节气阀	1	pcs	
17	HY50QT4-D020016	Acceleration Pump Valve	ACV 阀	1	pcs	
18	HY50QT4-D020017	Bolt	螺钉	2	pcs	
19	HY50QT4-D020018	Valve Set, Float	浮筒阀	1	pcs	
20	HY50QT4-D020019	Main Jet	主量孔	1	pcs	
21	HY50QT4-D020020	Idling Jet	怠速量孔	1	pcs	
22	HY50QT4-D020021	Bolt	螺钉	1	pcs	
23	HY50QT4-D020022	Float, Valve Set	浮筒	1	pcs	
24	HY50QT4-D020023	Gasket	垫片	1	pcs	
25	HY50QT4-D020024	Float Set	浮筒组	1	pcs	
26	HY50QT4-D020025	Clip, Tube	管夹	1	pcs	
27	HY50QT4-D020026	Tube	溢油管	1	pcs	
28	HY50QT4-D020027	Drain Screw	放油螺钉	1	pcs	
29	HY50QT4-D020028	Bolt	螺钉	3	pcs	
30	HY50QT4-D020029	Clip, Tube	管夹	2	pcs	
31	HY50QT4-D020030	Pressure Tube	负压管	1	pcs	
32	HY50QT-X000023	Fuel Filter	滤油器	1	pcs	
33	MC-X010001	Fuel Tube, $\phi 4.8^* \phi 9^*120$	油管 $\phi 4.8^* \phi 9^*120$	1	pcs	
34	MC-X010002	Band, $\phi 8\text{mm}$	卡箍 $\phi 8\text{mm}$	2	pcs	
35	HY50QT4-D020031	Pedestal, Main Jet	主量孔座	1	pcs	