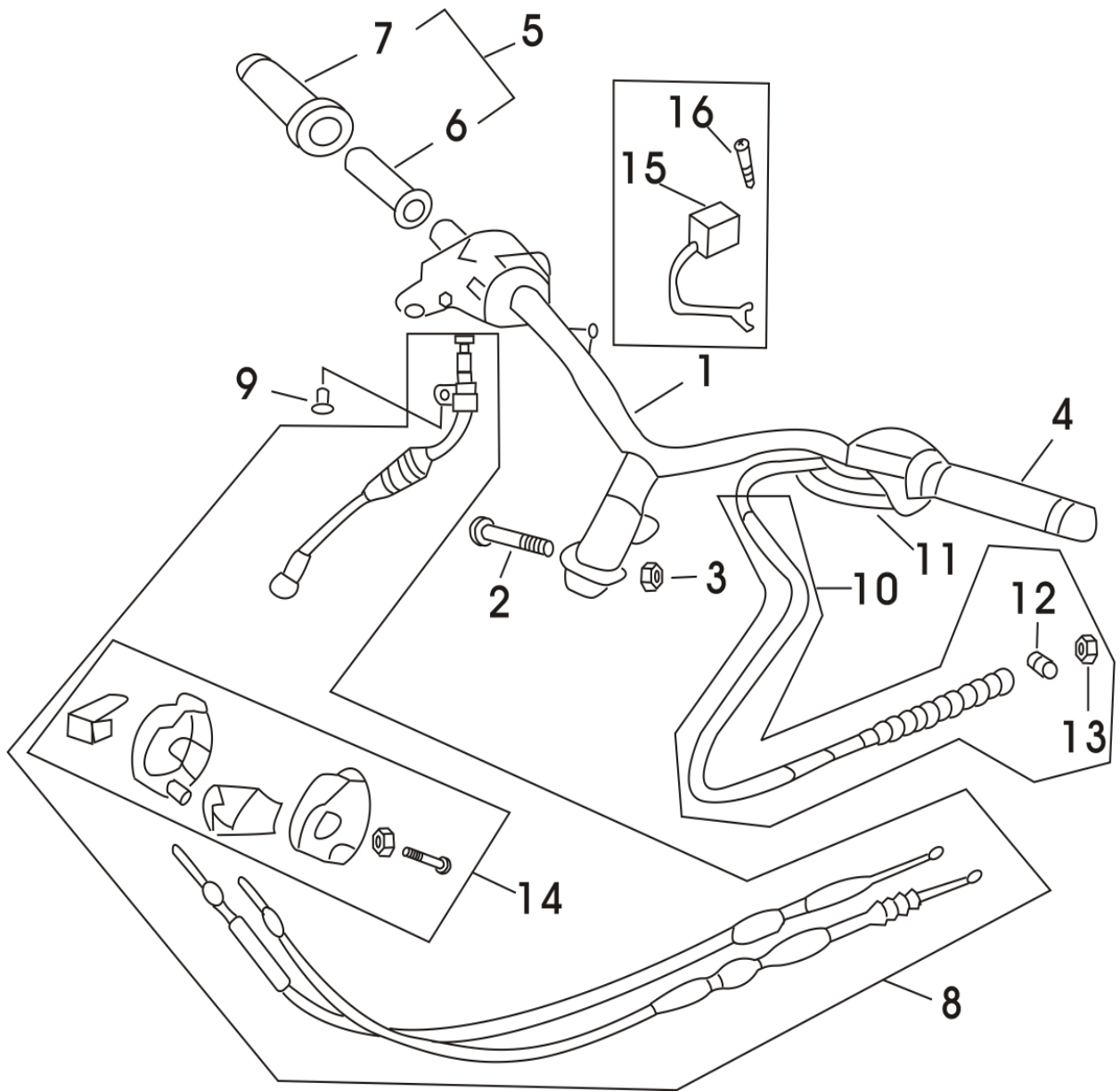


FRAME
CPI
PARTS LIST

MOTOR

CPI

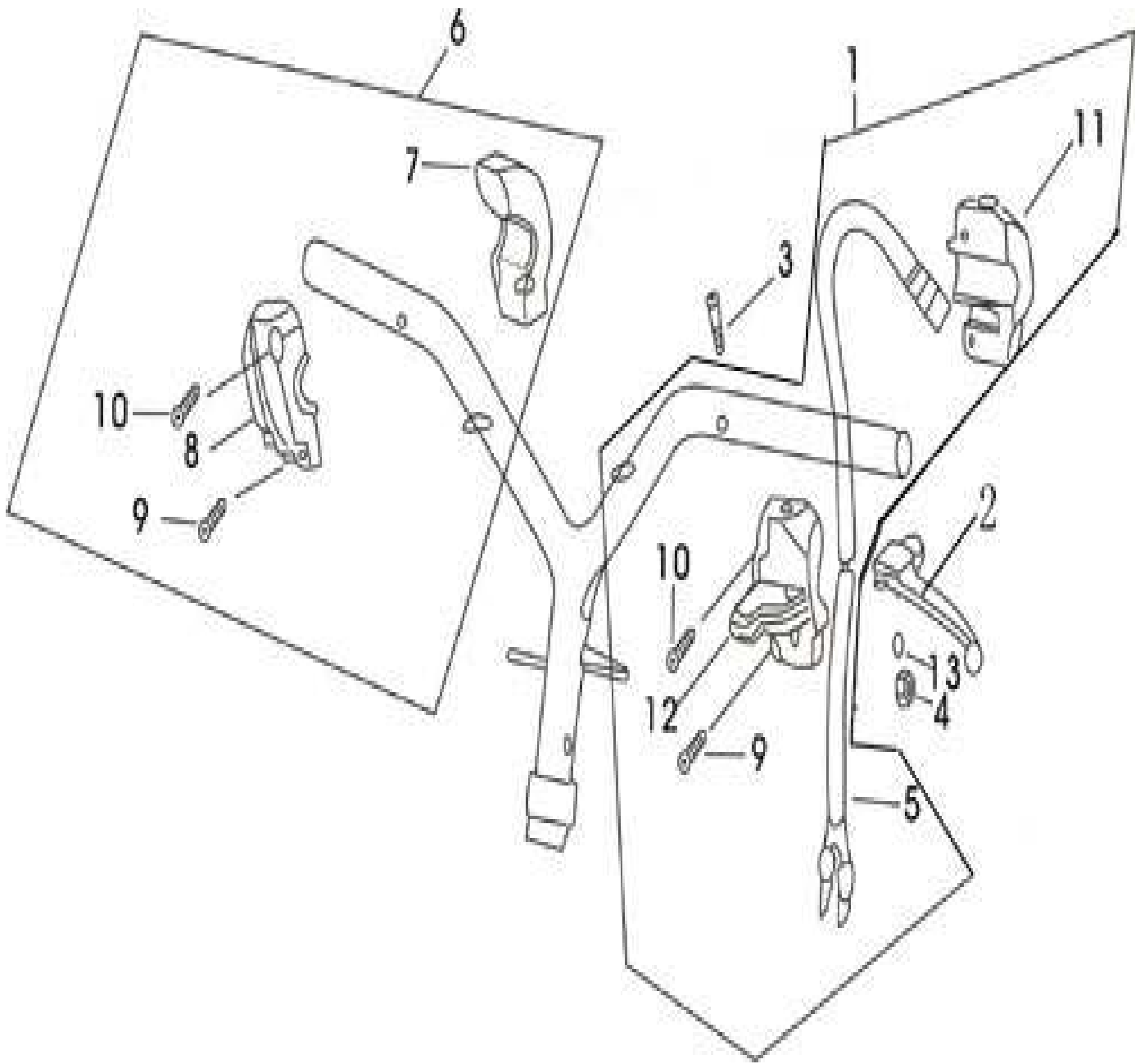
F1 CABLE/STEERING HANDLE



F1 CABLE/STEERING HANDLE			
NO.		DESCRIPTION	QTY.
1	Q0F-62110-00-00	HANDLE BAR	1
	Q0F-62110-10-00	HANDLE BAR (THICKEN)	
2	B01-09-10045-65	FLANGE SCREW 10×45×1.25 (DARK GREER)	1
3	B04-17-10125-65	FLANGE U NUT M10×1.25(DARK GREER)	1
4	Q0F-62231-00-00	HANDLE GRIPS LH 04	1
	Q0F-62231-10-00	HANDLE GRIPS LH 05	
5	Q0F-62240-00-00	R.H.GRIP ASSY 04	1
	Q0F-62240-10-00	R.H.GRIP ASSY05	
6	Q0F-62243-00-00	R.H.GRIP EURO□	
7	Q0F-62241-00-00	HANDLE GRIPS RH 04	1
	Q0F-62241-10-00	HANDLE GRIPS RH 05	
8	Q0F-58410-00-00	THROTTLE CABLE ASSY EURO□	1
9	B02-00-05012-20	PAN HEAD SCREW 5×12(STAINLESS STEEL)	1
10	Q0F-58210-00-00	BRAKE CABLE EURO□	1
11	Q0F-58212-00-00	RUBBER SLEEVE EURO□	
12	Q0F-58274-00-00	COLLAR BRAKE CABLE EURO□	1
13	Q0F-58264-00-00	ADJUSTING NUT EURO□	1
14	Q0F-58430-00-00	DISTRIBUTOR ASSY	
15	Q0F-28540-00-00	TEMPERATURE CONTROL 4 LEADS EURO□	
16	B01-09-06016-65	BOLT M6x16 (DARK GREER)	
17	Q0F-58431-00-00	DISTRIBUTOR	

18	Q0F-58433-00-00	DISTRIBUTOR	
19	B02-00-05025-25	PAN HEAD SCREW 5×25(DARK GREER)	
20	B07-03-00005-05	WASHER 5(DARK GREER)	

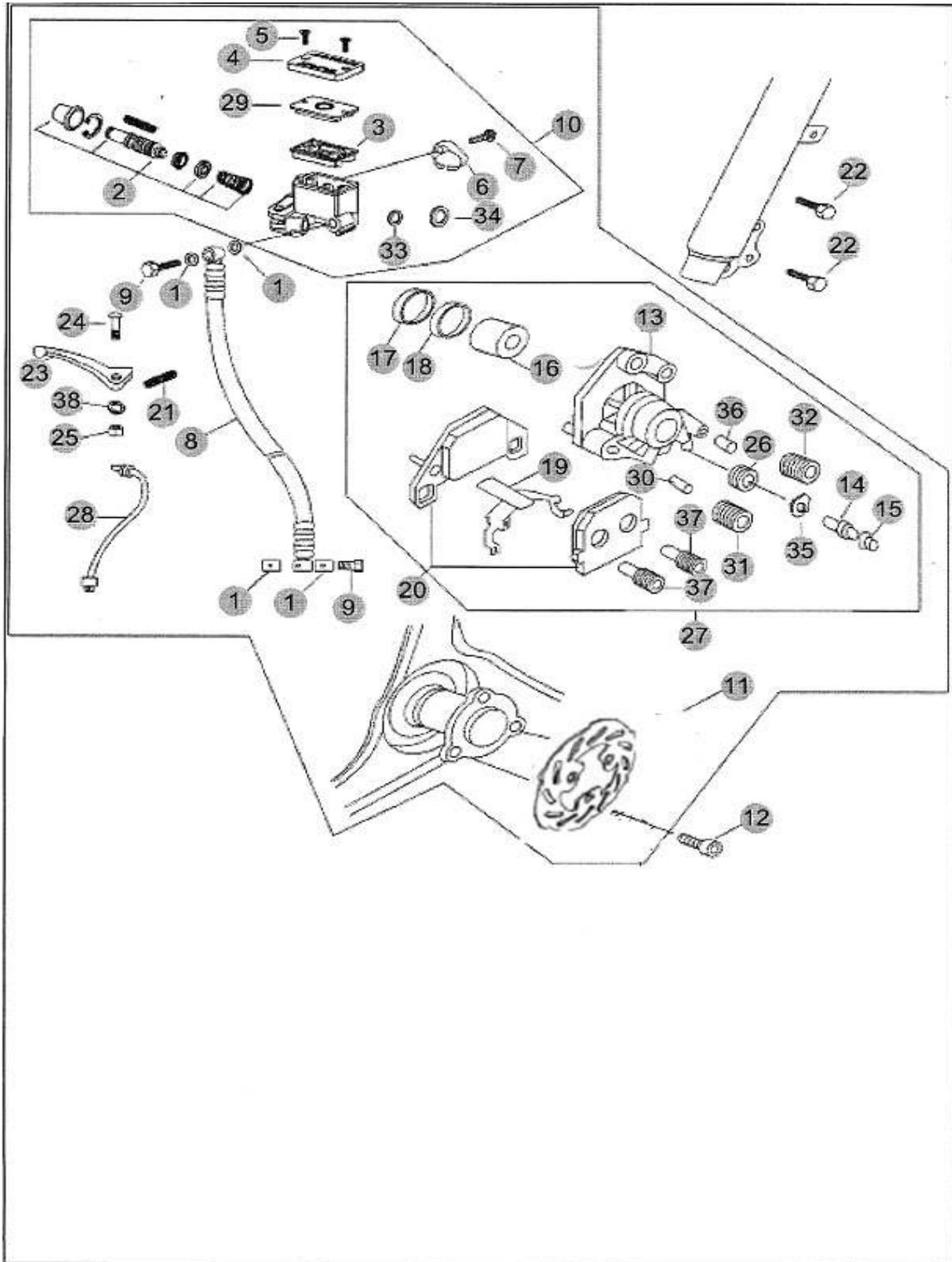
F2 LEVER/HANDLE SWITCH



F2 LEVER/HANDLE SWITCH

NO.		DESCRIPTION	QTY.
1	Q0F-27700-00-60	handle switch left (black)	
	Q0F-27700-10-60	handle switch left (black DOT MARKING)	1
2	Q0F-62253-00-60	BRACKE LEVERS LH(BLACK)	1
	Q0F-62253-10-00	BRACKE LEVERS LH(ALUPOLISHED)	1
3	Q0F-62254-00-00	LEVER MOUNTING SCREWM5×13/φ6×12(DARK GREER)	1
4	B04-00-05000-65	NUT 5(DARK GREEN)	1
5	Q0F-27771-00-00	STOP SWITCH ASSY.	1
6	Q0F-27800-00-60	handle switch right (black)	1
	Q0F-27800-10-60	handle switch right (black DOT MARKING)	1
7	Q0F-27810-00-60	SWITCH ASSY RIGHT(BLACK)	
	Q0F-27810-10-60	SWITCH ASSY RIGHT(BLACK DOT MARKING)	1
8	Q0F-27820-00-60	SWITCH FIXING R.(BLACK)	
	Q0F-27820-10-60	SWITCH FIXING R.(BLACK DOT MARKING)	1
9	B02-00-05020-25	PAN HEAD SCREW5×20(DARK GREER)	2
10	B02-00-05025-25	PAN HEAD SCREW5×25 (DARK GREER)	2
11	Q0F-27710-00-60	SWITCH ASSY LEFT(BLACK)	
	Q0F-27710-10-60	SWITCH ASSY LEFT(BLACK DOT MARKING)	1
12	Q0F-27730-00-60	BRAKE LEVER FIXING L.(BLACK)	1
	Q0F-27730-10-60	BRAKE LEVER FIXING L.(BLACK DOT MARKING)	1
13	B07-00-00005-05	WASHER 5(DARK GREER)	1

F3 FRONT MASTER CALIPER

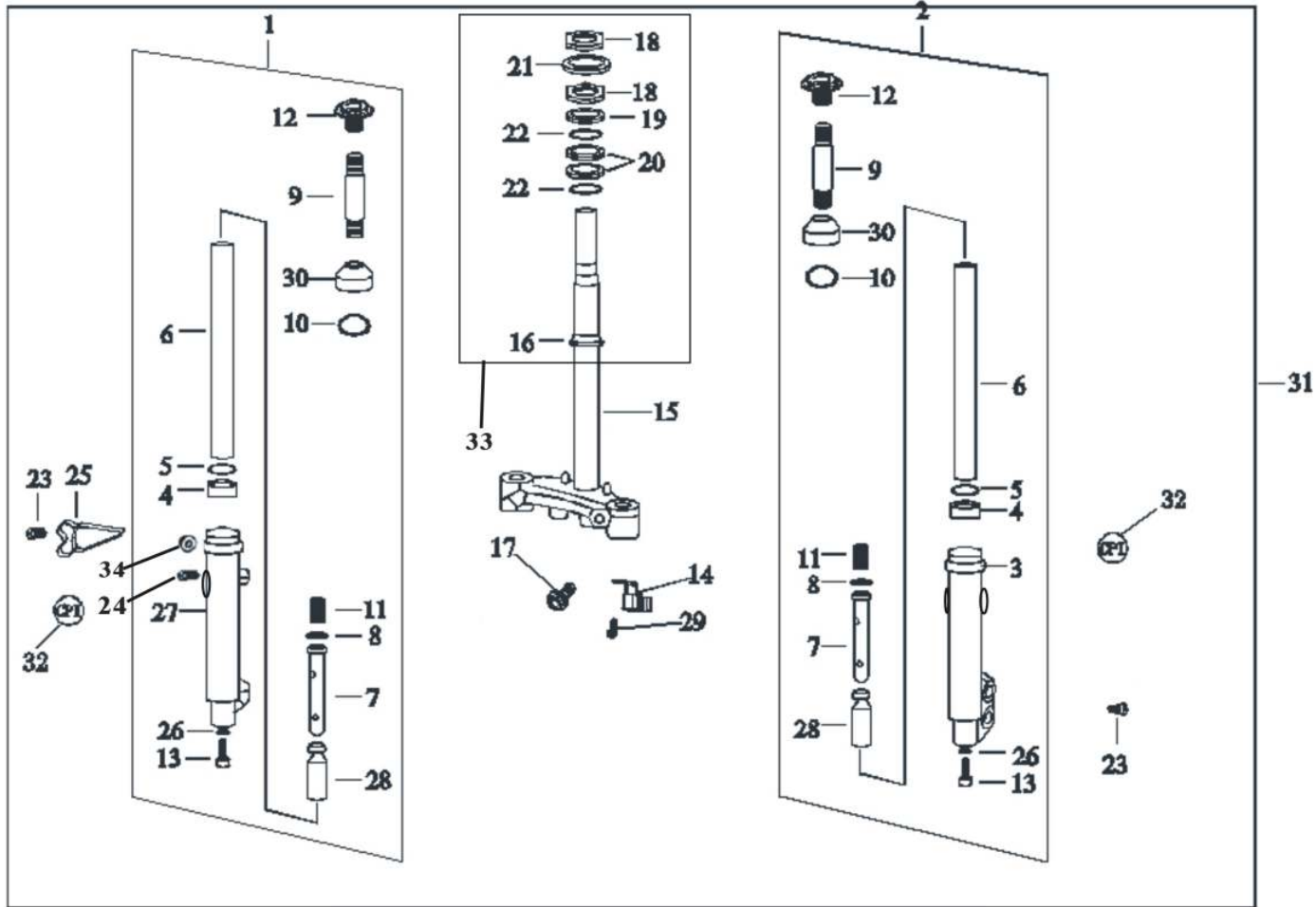


F3 FRONT MASTER CALIPER			
NO.		DESCRIPTION	QTY.
1	Q0F-45119-00-00	PLATE WASHER10×1.5	4
2	Q0F-45120-00-00	PISTON ASSY	1
3	Q0F-45114-00-00	GASKET	1
4	Q0F-45112-00-00	PUMP COVER	1
5	B02-01-04012-25	FLAT HEAD SREW M4×12 EURO□	1
8	Q0F-45310-00-00	FR. BRAKE HOSE	1
9	Q0F-45311-00-00	UNION BOLT 10×22	2
10	Q0F-45100-00-00	CYLINDER COMPL EURO□	1
11	Q0F-45411-00-00	BRAKE DISC04	1
	Q0F-45411-10-00	BRAKE DISC 05	
12	Q0F-45441-00-00	BOLT 8×25(STAINLESS STEEL)	3
13	Q0F-45202-00-00	CONNECTION BRACKET EURO□	1
14	Q0F-45276-00-00	BREED BOLT	1
15	Q0F-45280-00-00	BREED SCREW CAP	1
16	Q0F-45215-00-00	OIL PLUG EURO□	1
17	Q0F-45214-00-00	SEAL OIL PLUG EURO□	1
18	Q0F-45213-00-00	COVER DUST SEAL EURO□	1
19	Q0F-45231-00-00	PAD SUPPORT EURO□	1
20	Q0F-45232-00-00	BRAKE PAD KIT(TAIWAN)	2
	Q0F-45232-11-00	BRAKE PAD KIT(BIG SIX)	
21	Q0F-45000-00-00	FRONT MASTER CALIPER	1
	Q0F-45000-10-00	FRONT MASTER CALIPER	

22	B01-09-08035-00	BOLT 8×35(STAINLESS STEEL)	2
23	Q0F-62263-00-00	BRAKE LEVERS RH(BLACK)	1
	Q0F-62263-20-00	BRAKE LEVERS RH(BLACK ARC)	1
	Q0F-62263-10-00	BRAKE LEVERS RH(ALUPOLISHED)	1
	Q0F-62263-30-00	BRAKE LEVERS RH(ALUPOLISHED ARC)	1
24	Q0F-62264-00-00	BOLT 6×32 □DARK GREER □	1
25	B04-17-06000-65	NUT 6 □DARK GREER □	1
26	Q0F-45281-00-00	DUST	1
27	Q0F-45200-00-60	BRAKE CALIPER(BLACK)	1
	Q0F-45200-00-29	BRAKE CALIPER(Yellow of gold)	1
28	Q0F-27871-00-00	STOP SWITCH ASSY	1
29	Q0F-45116-00-00	COVER,CYLINDER EURO □	1
30	Q0F-45127-00-00	GUIDE AXLE EURO □	1
31	Q0F-45128-00-00	RUBBER GUIDE EURO □	1
32	Q0F-45280-00-00	RUBBER GUIDE EURO □	1
33	Q0F-45117-00-00	MIRROR OIL INSPECTION	1
34	Q0F-45118-00-00	GAKET OIL INSPECTION EURO □	1
35	B07-00-06000-05	WASHER 6 □DARK GREER □	2
36	Q0F-45278-00-00	GUIDE AXLE EURO □	1
37	Q0F-45228-00-00	GUIDE POLE FIXING BRAKE PADS EURO □	1
38	Q0F-45300-00-60	WASHER	1

	Q0F-45300-00-29	BRAKE CALIPER ASSY(Yellow of gold)	1
39	Q0F-64186-00-00	RUBER WASHER(LONG)	1
40	Q0F-64185-00-00	RUBBER WASHER(SHORT)	1

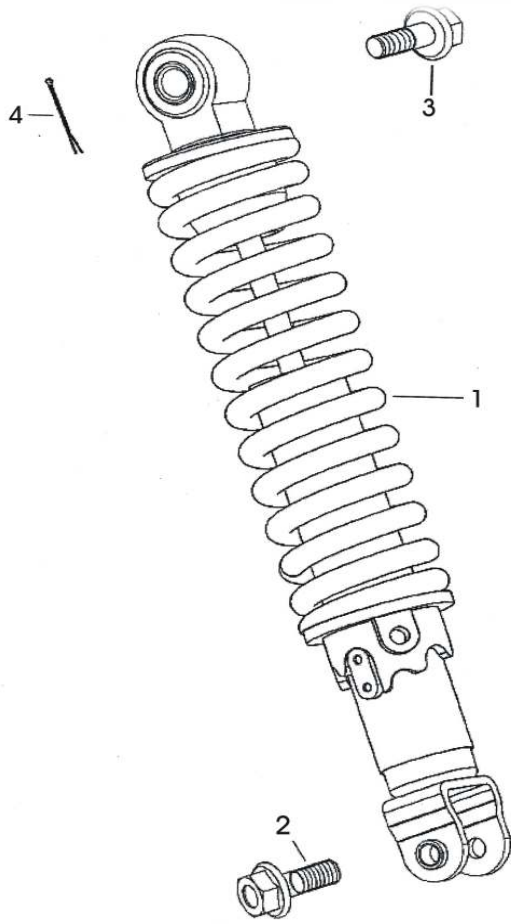
F4 FRONT FORK



F4 FRONT FORK			
NO.		DESCRIPTION	QTY.
1	Q0F-47240-10-95	F.R. FORK ASSY(SLIVER GRAY)	1
	Q0F-47240-20-96	F.R. FORK ASSY.(GTR)	
2	Q0F-47210-10-95	F.L. FORK ASSY.(SLIVER GRAY)	1
	Q0F-47210-20-96	F.L. FORK ASSY.(GTR)	
3	Q0F-47211-10-95	OUTER TUBE1,LEFT (SLIVER GRAY)	1
	Q0F-47211-20-96	OUTER TUBE1,LEFT (GTR)	
4	Q0F-47221-00-00	OIL SEAL 31×43×10.5	2
5	Q0F-47222-00-00	CLIP FUER GABELBEIN	2
6	Q0F-47223-00-00	ININTER TUBE COMP EURO □	2
7	Q0F-47224-00-00	FR.FORK PISTON	2
8	Q0F-47225-00-00	PISTON RING	2
9	Q0F-47226-00-00	FR.FORK PISTON	2
10	Q0F-47229-00-00	O-RING 23 .2×2.65 EURO □	2
11	Q0F-47227-00-00	SPRING EURO □	2
12	Q0F-47228-00-00	CAP BOLT	2
13	B02-05-08025-65	SOCKET BOLT M8×25 □DARK GREER)	2
14	Q0F-45375-00-00	FR. BRAKE HOSE HOLDER	1
15	Q0F-47131-00-00	FRONT FORK	1
	Q0F-47131-10-00	FRONT FORK	1
16	Q0F-47014-00-00	BALL RACE	1
17	B01-09-10030-65	FLANGE BOLT 10×30 □DARK GREER)	2
18	Q0F-47015-00-00	NUT □DARK GREER)	2
19	Q0F-47012-00-00	BALL RACE □DARK GREER)	1

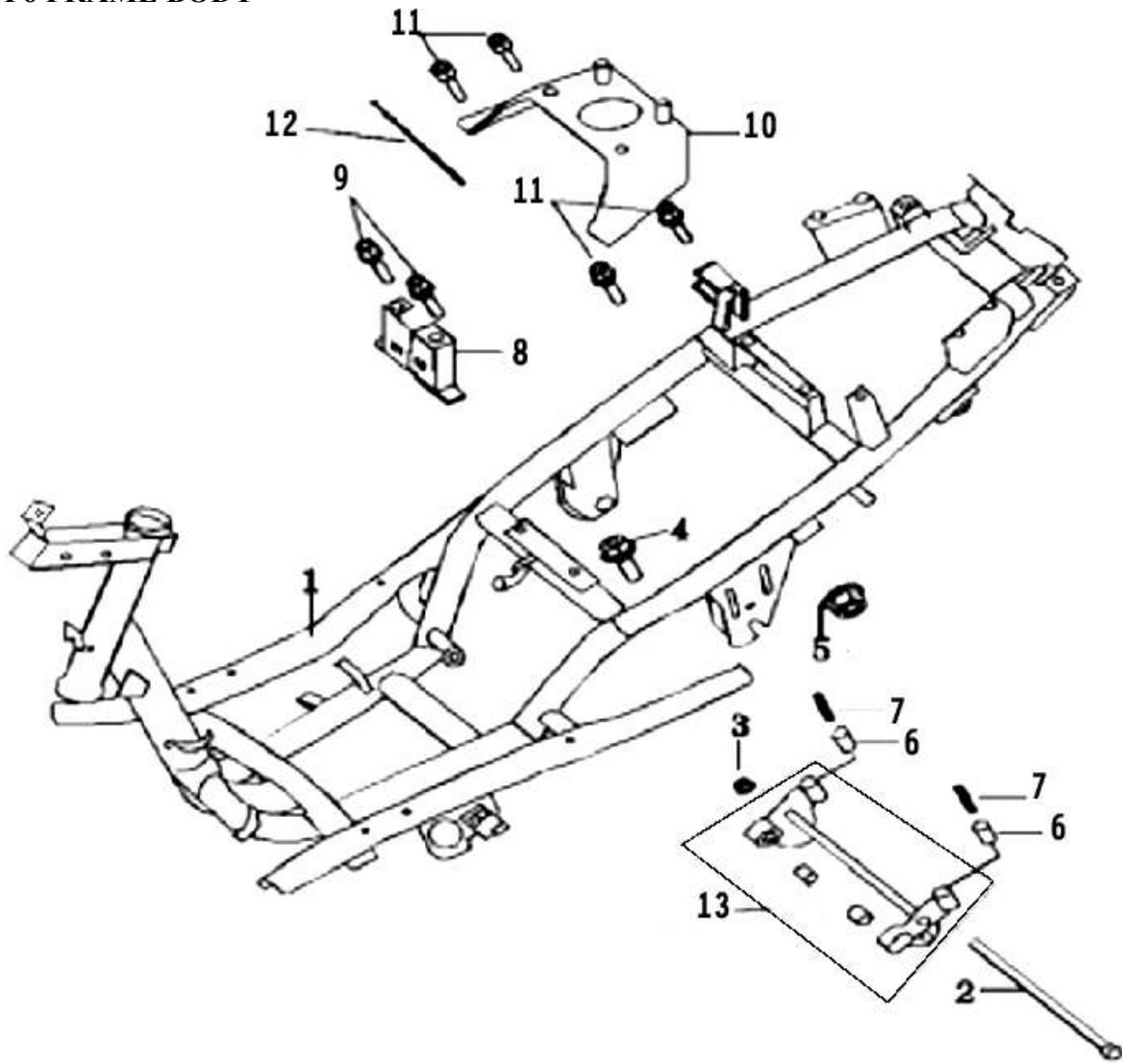
20	Q0F-47011-00-00	BALL RACE	2
21	Q0F-47018-00-00	BALL RACE COVER (DARK GREER)	1
22	Q0F-47019-00-00	STEEL BALL 4.76	46
23	B13-01-06016-60	FLANGE BOLT 6×16(STAINLESS STEEL)	3
24	B13-01-06032-60	FLANGE BOLT 6×32(STAINLESS STEEL)	1
25	Q0F-58520-00-00	CABLE HOLDER	1
26	B07-00-00008-05	GASKET 8 (DARK GREER)	2
27	Q0F-47241-10-00	OUTER TUBE(SLIVER GRAY)	1
	Q0F-47241-20-00	OUTER TUBE(GTR)	
28	Q0F-47251-00-00	CUSHION COVER EURO	2
29	B01-09-06012-65	FLANGE BOLT 6×12 (DARK GREER)	1
30	Q0F-47252-00-00	COVER ANTI-DUSY	2
31	Q0F-47200-00-00	FRONT FORK ASSY(SLIVER GRAY).	1
	Q0F-47200-10-00	FRONT FORK ASSY.(GTR)	
32	Q0F-61113-00-00	"CPI"STICK	2
33	Q0F-47130-00-00	INCLUDING ITEM ASSY	1
34	B04-17-06000-60	NUT 6(STAINLESS STEEL)	1
35	Q0F-47010-00-00	BEARINGS ASSY	1

F5 REAR SUSPENSION



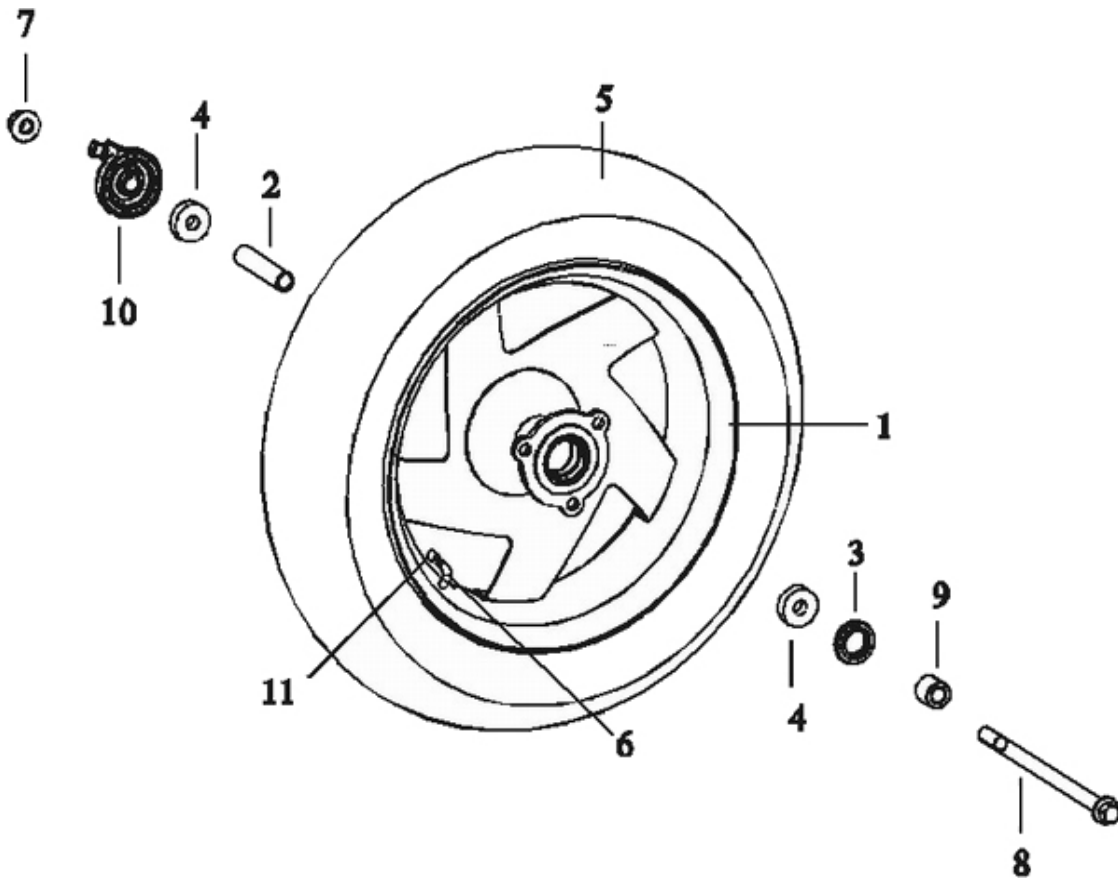
F5 REAR SUSPENSION			
NO.		DESCRIPTION	QTY.
1	Q0F-48210-00-10	RR.SHOCK ABSORBER ASSY(REDA TAIWAN)	1
	Q0F-48210-01-10	RR.SHOCK ABSORBER ASSY(REDA BIG SIX)	1
	Q0F-48210-00-70	RR.SHOCK ABSORBER ASSY(WHITE TAIWAN)	1
	Q0F-48210-01-70	RR.SHOCK ABSORBER ASSY(WHITE BIG SIX)	
2	B01-09-08032-00	FLANGE BOLT8×32(STAINLESS STEEL)	1
3	B01-11-10040-60	BOLT W/HOLE 10×40(STAINLESS STEEL)	1
4	B09-00-25028-03	SPLITPIN 2.5×28	1

F6 FRAME BODY



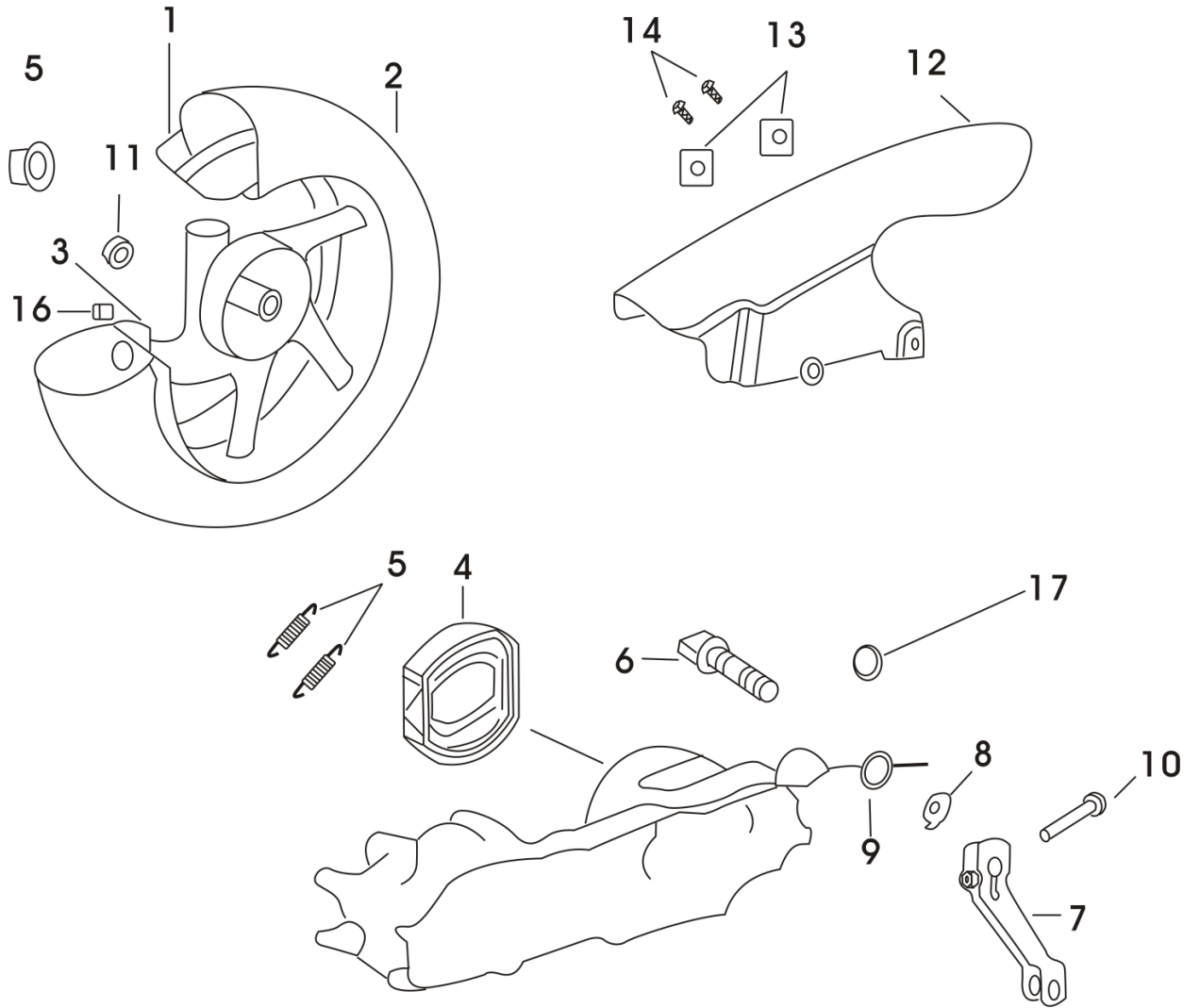
F6 FRAME BODY			
NO.		DESCRIPTION	QTY.
1	Q0F-41110-00-00	FRAME COMPONENT	1
	Q0F-41110-10-00	FRAME COMPONENT(FRANE BODY NO PLATE Support)	
2	Q0F-48655-00-03	E/GMOUNTING BOLT,1(GOLD COLORED)	1
3	B04-17-12125-63	FLANGE UNUT M12×1.25(GOLD COLORED)	1
4	Q0F-48685-00-65	E/GMOUNTING BOLT10×42×1.25□DARK GREER)	2
5	B04-17-10125-65	FLANGE UNUT 10×1.25□DARK GREER)	2
6	Q0F-48676-00-00	GUM SET	2
7	Q0F-48675-00-00	SPRIING	2
8	Q0F-56511-00-00	SEAT CATCH COMP	1
9	B01-09-06020-65	FLANGE BOLT 6×20□DARK GREER)	2
10	Q0F-42131-00-03	CARRIER BRARCKET(GOLD COLORED)	1
11	B01-09-06012-65	FLANGE BOLT 6×12□DARK GREER)	4
12	Q0F-56536-00-00	SEAT CABLE	1
13	Q0F-48610-00-00	E/G HANGER COMP.	1
14	Q0F-48677-00-00	DAMPER	2

F7 FRONT WHEEL



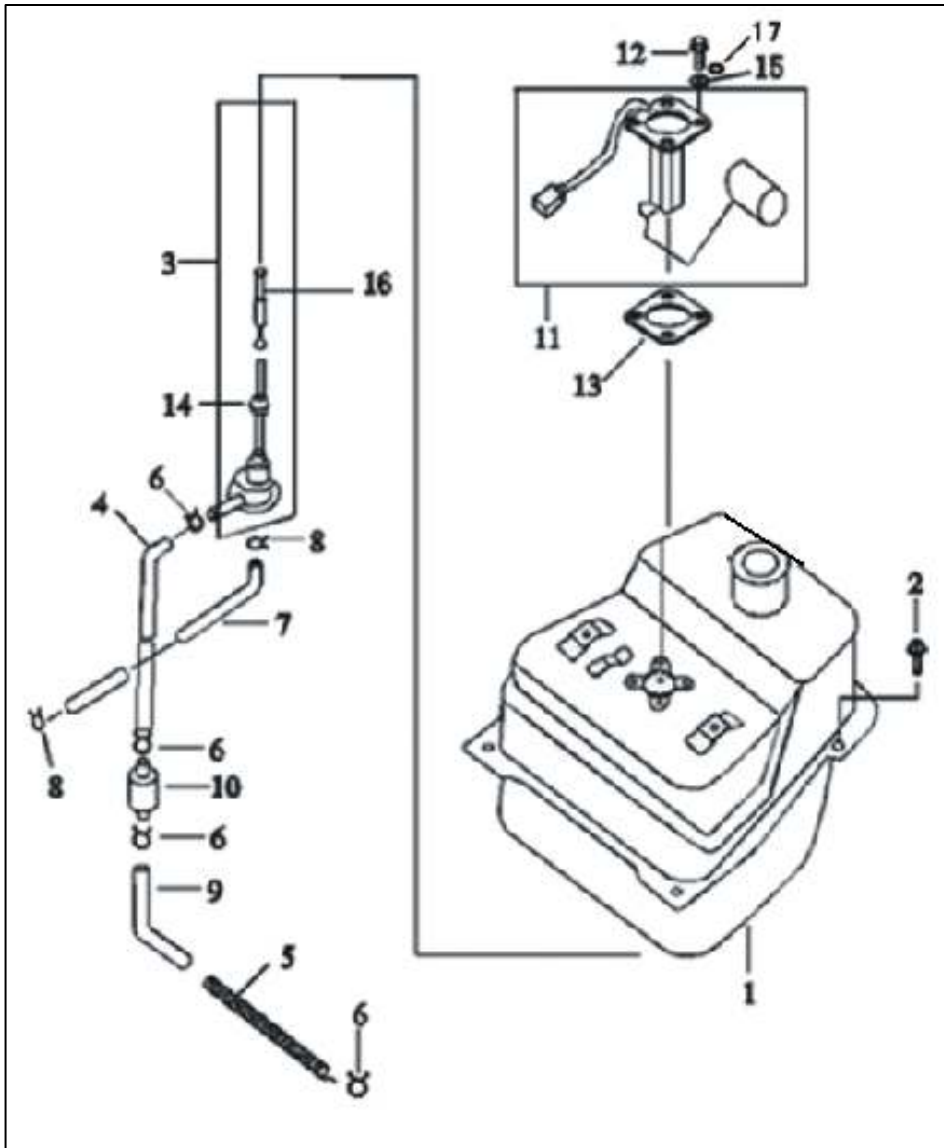
F7 FRONT WHEEL			
NO.		DESCRIPTION	QTY.
1	Q0F-43211-00-71	EX RIM COMP 3.5×12"(WHITE OF SILVER)	1
	Q0F-43211-00-66	EX RIM COMP 3.5×12"(SECOND BLACK)	1
2	Q0F-43274-00-00	DISTANCE COLLAR COMP	1
3	Q0F-43278-00-00	OIL SEAL 22×35×7	1
4	Q0F-43277-00-00	BALL BEARING 6201-2RS	2
5	Q0F-43311-00-00	TIRE 120/70-12(TAI WAN)	1
	Q0F-43311-01-00	TIRE 120/70-12(BIG SIX)	
6	Q0F-43322-00-00	RIM VALVE	1
7	B04-17-12125-63	FLANGE UNUTM12×1.25(GOLD COLORED)	1
8	Q0F-43511-00-03	FR.WHEEL AXLE 12×224(GOLD COLORED)	1
9	Q0F-43273-00-00	COLLAR	1
10	Q0F-45510-00-60	SPEEDOMETR GEAR COMP.(BLACK)	1
11	Q0F-43323-00-00	CAP, VALVE	1

F8 REAR WHEEL



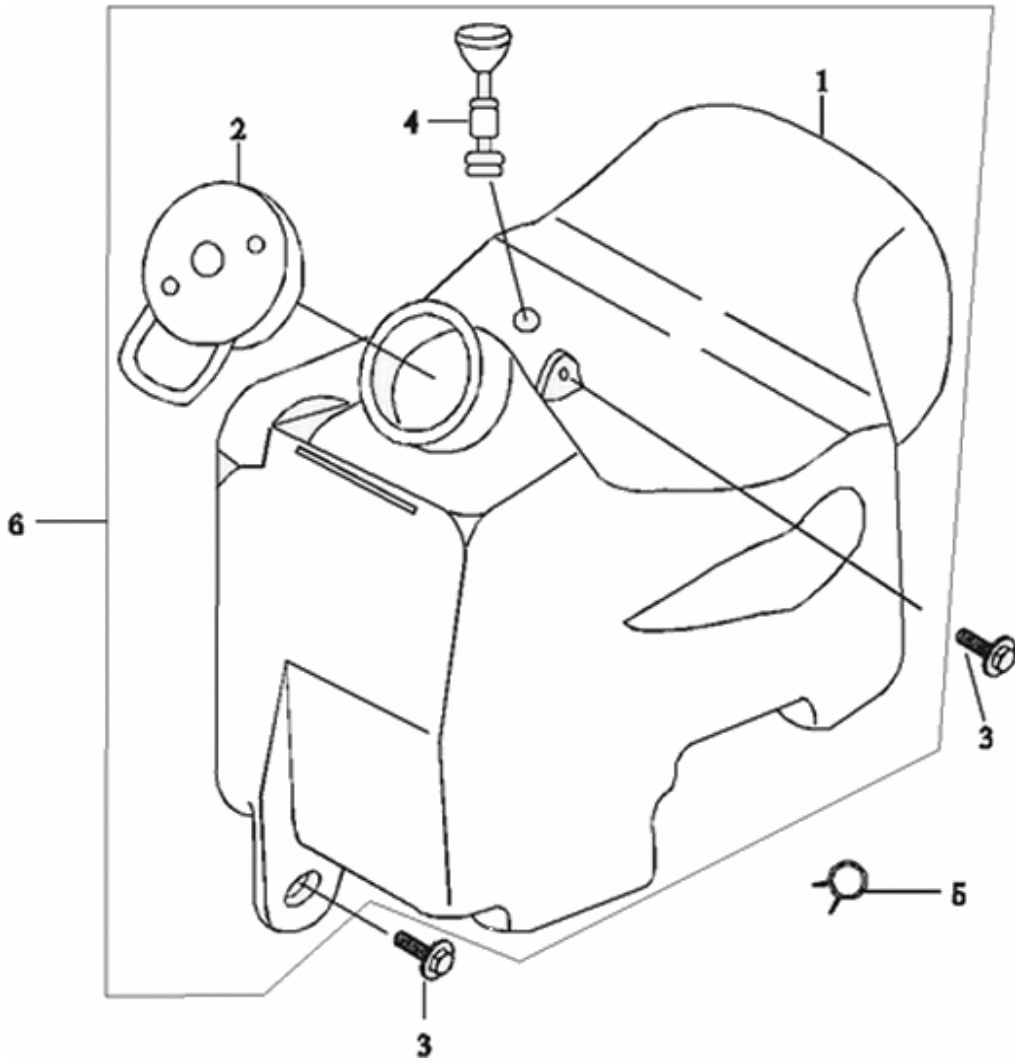
F8 REAR WHEEL			
NO.		DESCRIPTION	QTY.
1	Q0F-44211-00-71	EMPRESS RIM COMP 3.5×12"(SILVER WHITE)	1
	Q0F-44211-00-66	EMPRESS RIM COMP 3.5×12"(SECOND BLACK)	1
2	Q0F-44311-00-00	TIRE 130/70-12(TAI WAN)	1
	Q0F-44311-01-00	TIRE 130/70-12(BIG SIX)	
3	Q0F-43322-00-00	RIM VALVE	1
4	Q0F-46430-00-00	BRAKE SHOEKIT	2
5	Q0F-46461-00-00	SPRING	2
6	Q0F-46621-00-00	CAM SHAFT	1
7	Q0F-46611-00-00	CAM SHAFT LEVER	1
8	Q0F-46631-00-00	INDICATOR PLATE	1
9	Q0F-46635-00-00	INDICATOR RETURN SPRING COIL	1
10	B01-09-06030-63	HEX.BOLTM6×30(GOLD COLORED)	1
11	B04-17-16150-63	UNUT 16×1.5(GOLD COLORED)	1
12	Q0F-64211-00-00	REAR FENDER	1
13	B04-50-06000-25	SPRING NUT 6MM(DARK GREER)	2
14	B01-09-06025-60	FLANGE BOLT M6X25(STAINLESS STEEL)	2
15	Q0F-44278-00-00	CAP	1
16	Q0F-43323-00-00	CAP, VALVE	1
17	Q0F-46614-00-00	FELT RING ON REAR CAM SHAFT LEVER	1

F9 FUEL TANK



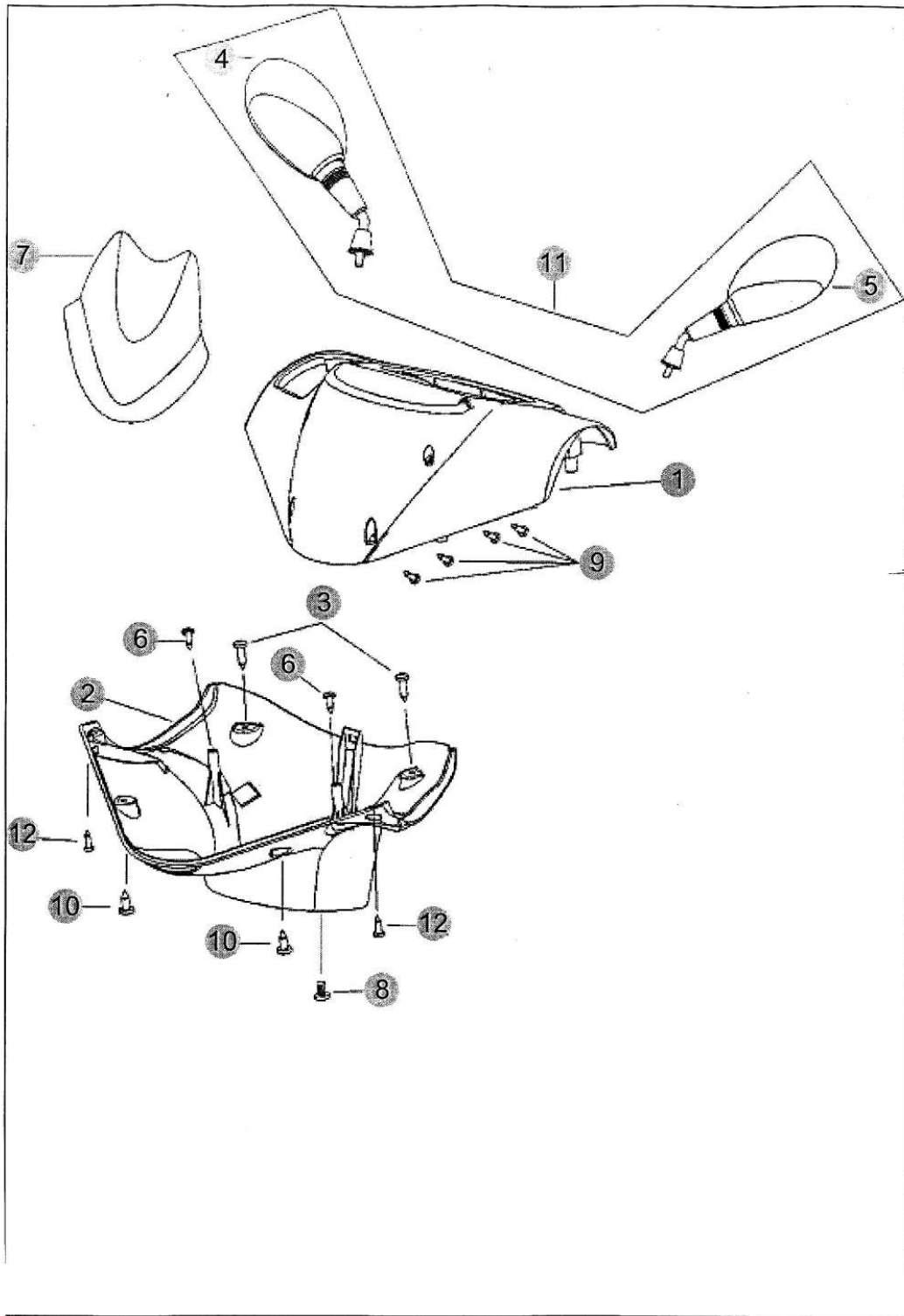
F9 FUEL TANK			
NO.		DESCRIPTION	QTY.
1	Q0F-52110-00-00	FUEL TANK COMP.	1
2	B01-09-06012-65	FLANGE BOLT 6×12(DARK GREER)	4
3	Q0F-52310-00-00	FUEL COCK COMP.	1
4	Q0F-52371-00-00	FUEL HOSE, 1	1
5	Q0F-52381-00-00	SPRING	1
6	Q0F-52030-00-00	CLIP 8	4
7	Q0F-52377-00-00	VACUUM HOSE	1
8	Q0F-52031-00-00	CLIP 7	2
9	Q0F-52372-00-00	FUEL HOSE, 2	1
10	Q0F-52410-00-00	FUEL FILTER ASSY.	1
11	Q0F-52510-00-00	SENDER UNIT	1
12	B01-03-05016-25	BOLT 5×16(DARK GREER)	4
13	Q0F-52551-00-00	GASKET	1
14	Q0F-52032-00-00	SEAL RING	1
15	B07-02-00005-05	WASHER 5(DARK GREER)	4
16	Q0F-52022-00-00	FUEL FILTER	1
17	B07-00-00005-05	WASHER 5(DARK GREER)	4
18	Q0F-52033-00-00	WHITE PROTECT TUBE	1

F10 OIL TANK



F10 OIL TANK			
NO.		DESCRIPTION	QTY.
1	Q0F-53110-00-00	OIL TANK	1
2	Q0F-53131-00-00	OIL TANK CAP	1
3	B01-09-06016-65	BOLT 6×16(DARK GREER)	2
4	Q0F-53510-00-00	OILLEVER GAUGE ASSY	1
5	Q0F-52030-00-00	CLIP 8	1
6	Q0F-53100-00-00	OIL TANK ASSY.	1

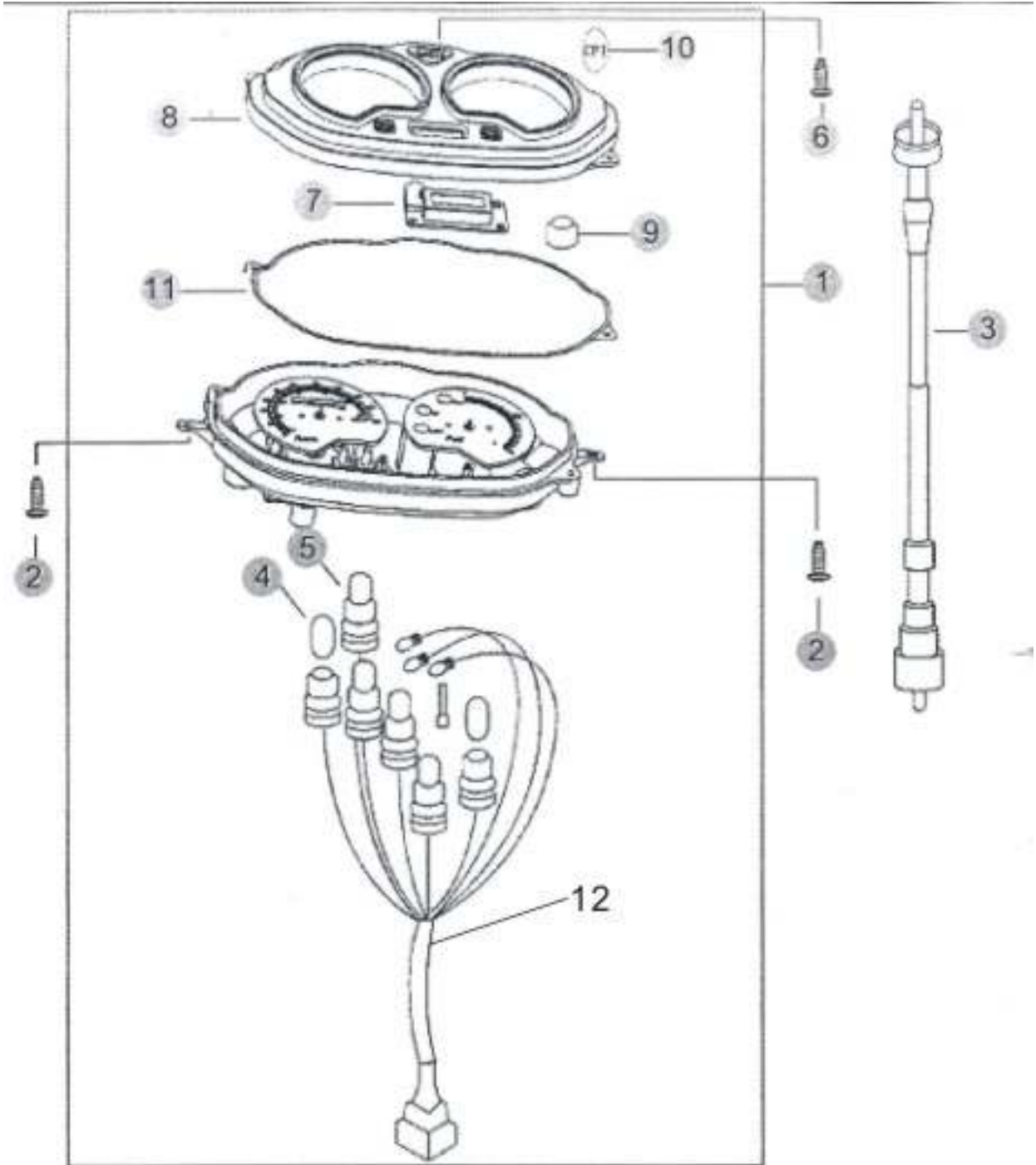
F11 HANDLE COVER



F11 HANDLE COVER			
NO.		DESCRIPTION	QTY.
1	Q0F-62311-00-1C	HANDLE COVER, (JU RED)	1
	Q0F-62311-00-43	HANDLE COVER, (TRANSPARENT BLUE)	1
	Q0F-62311-00-71	HANDLE COVER, (SILVER WHITE)	1
	Q0F-62311-00-65	HANDLE COVER, (BEND BLACK)	1
	Q0F-62311-00-1E	HANDLE COVER, (ORANGE RED)	1
	Q0F-62311-00-27	HANDLE COVER, (LEMON YELLOW)	1
	Q0F-62311-00-4A	HANDLE COVER, (SHALLOW BLUE)	1
2	Q0F-62321-00-00	HANDLE COVER	1
3	B05-00-48016-00	TAPPING SCREW4.8×16(STAINLESS STEEL)	2
4	Q0F-62601-00-00	RIGHT MIRROR(TAI WAN)	1
	Q0F-62601-01-00	RIGHT MIRROR(BIG SIX)	
5	Q0F-62501-00-00	LEFT MIRROR(TAI WAN)	1
	Q0F-62501-01-00	LEFT MIRROR(BIG SIX)	
6	B05-00-48012-05	TAPPING SCREW4.8×12(DARK GREER)	2
7	Q0F-62316-00-66	METER VISON ASSY(SECOND BLACK)	1
8	B13-01-05016-05	SCREW W/WASHER 5×16(DARK GREER)	1
9	B05-00-29010-05	TAPPING SCREW2.9×10(DARK GREER)	4
10	B05-00-42012-00	TAPPING SCREW4.2×12(STAINLESS STEEL)	2

11	Q0F-62500-00-00	REAR VIEW MIRROR ASSY (TAI WAN)	1
	Q0F-62500-01-00	REAR VIEW MIRROR ASSY (BIG SIX)	
12	B05-00-42012-00	TAPPING SCREW4.2×12(STAINLESS STEEL)	2

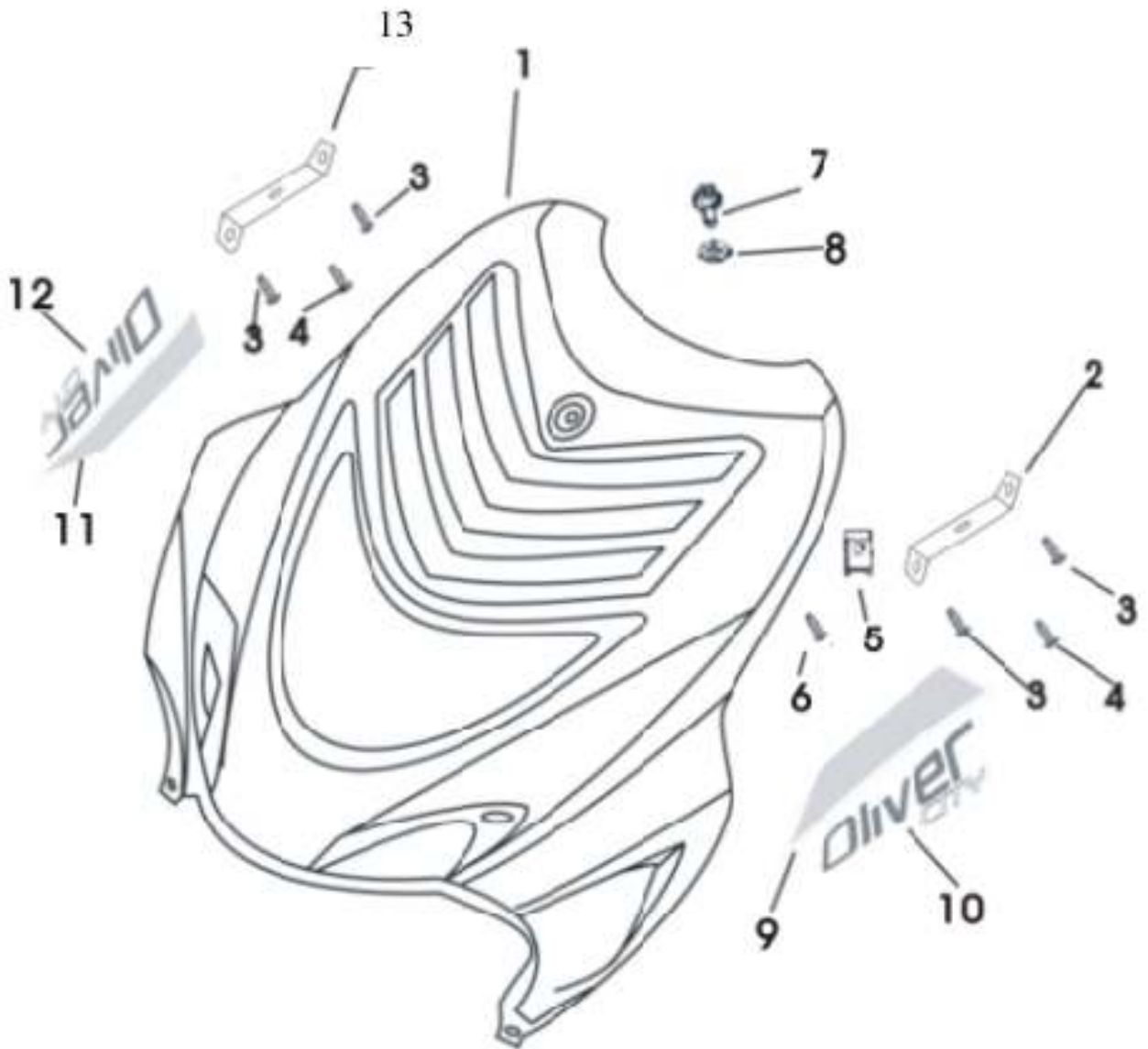
F12 METER



F12 METER			
NO.		DESCRIPTION	QTY.
1	Q0F-24000-00-00	SPEEDOMETER COMP(WITHE "CPI"LOGO)25,30KM	1
	Q0F-24000-10-00	SPEEDOMETER COMP(WITHE "CPI"LOGO)45,58KM	
	Q0F-24000-20-00	SPEEDOMETER COMP(WITHE "CPI"LOGO)45MPH	
	Q0F-24000-30-00	SPEEDOMETER COMP(COLD LIGHT SOURCE)25,30KM	
	Q0F-24000-40-00	SPEEDOMETER COMP(COLD LIGHT SOURCE)45,58KM	
	Q0F-24000-50-00	SPEEDOMETER COMP(COLD LIGHT SOURCE)45MPH	
2	B05-00-48012-05	TAPPING SCREW4.8×12(DARK GREER)	2
3	Q0F-58510-00-00	SPEEDOMETER CABLE ASSY EURO□	1
4	Q0F-24185-00-00	BLUB 12V-3.4W	3
5	Q0F-24186-00-00	LAMP BULB BOTTOM	3
6	B05-00-48012-05	TAPPING SCREW4.8×12(DARK GREER)	1
7	Q0F-24190-00-00	DIGITAL CLOCK EURO□	1
	Q0F-24190-10-00	DIGITAL CLOCK EURO□	1
8	Q0F-24191-00-00	SPEEDOMETER UPPER COVER	1
	Q0F-24191-10-00	SPEEDOMETER UPPER COVER EURO□	1
9	Q0F-24192-00-00	SMALL BATTERIE INSIDE	2
10	Q0F-61113-00-00	STICKER CPI EURO□	1

11	Q0F-24194-00-00	GASKET DIGITAL CLOCK EURO □	
12	Q0F-24142-00-00	APPEARANCE ELECTRIC CABLE	
	Q0F-24142-10-00	APPEARANCE ELECTRIC CABLE(COLD LIGHT SOURCE)	
13	Q0F-24186-00-00	BLUB 12V-1.7W	

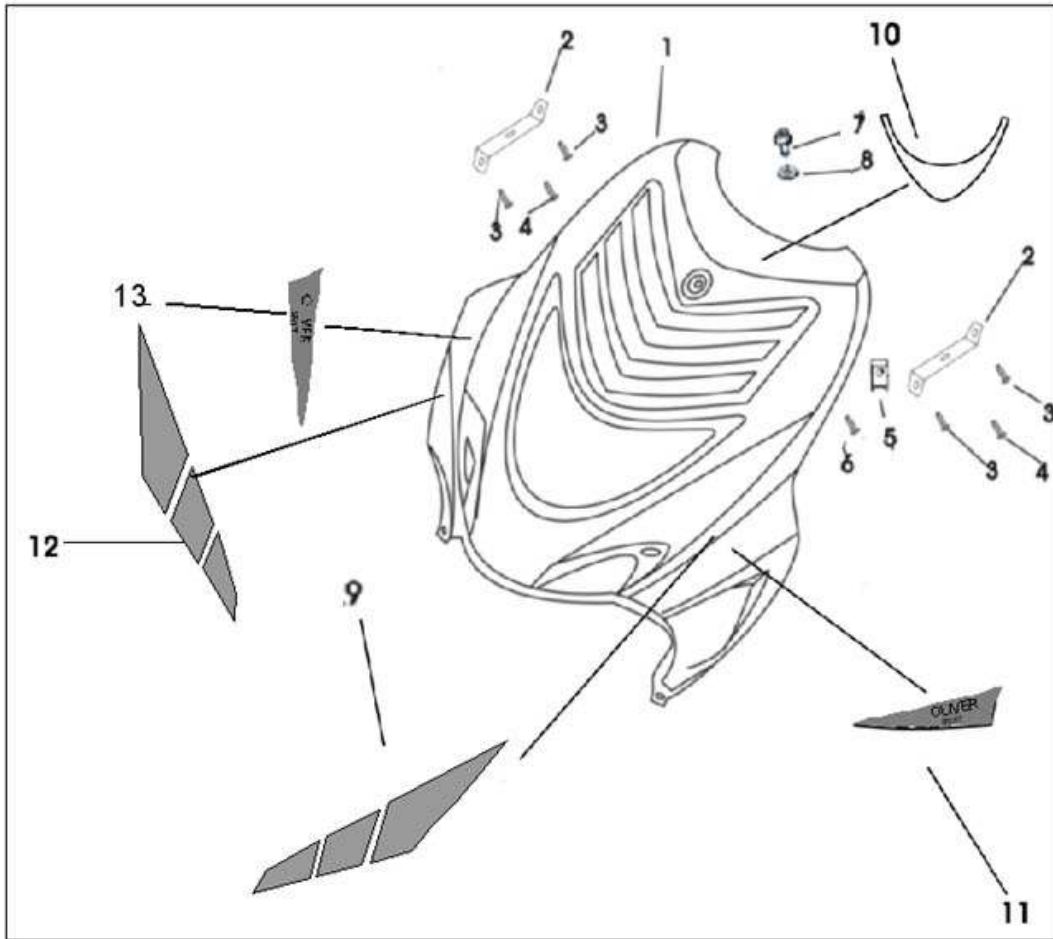
F13 FENDER



F13 FENDER			
NO.		DESCRIPTION	QTY.
1	Q0F-63111-00-1C	LEG SHIELD,1(JU RED)	1
	Q0F-63111-00-43	LEG SHIELD,1(TRANSPARENT BLUE)	1
	Q0F-63111-00-71	LEG SHIELD,1(SILVER WHITE)	1
	Q0F-63111-00-65	LEG SHIELD,1(BEND BLACK)	1
2	Q0F-25176-00-00	HEAD LEFT BRACKET	2
3	B05-00-42012-05	TAPPING SCREW 4.2×12(DARK GREER)	4
4	B05-00-48016-05	TAPPING SCREW4.8×16(DARK GREER)	2
5	B04-51-48000-05	SPRING NUT4.8(DARK GREER)	3
6	B05-00-48016-05	TAPPING SCREW 4.8×16(DARK GREER)	1
7	Q0F-63130-00-00	SCREW M6×14/φ8×3(STAINLESS STEEL)	1
8	Q0F-63131-00-00	RUBBER WASHER 6	1
9	Q0F-61111-00-71	SILVER STICKER FOR BLUE/BLACK FRONT COVER LEFT	1
	Q0F-61111-00-60	BLACK STICKER FOR RED FRONT COVER, LEFT	1
	Q0F-61111-00-10	RED STICKER FOR SILVER FRONT COVER LEFT	1
10	Q0F-61121-00-10	RED "oliver city" FOR BLUE/BLACK FRONT COVER LEFT	1
	Q0F-61121-00-71	SILVER "oliver city FOR RED FRONT COVER LEFT LEFT	1

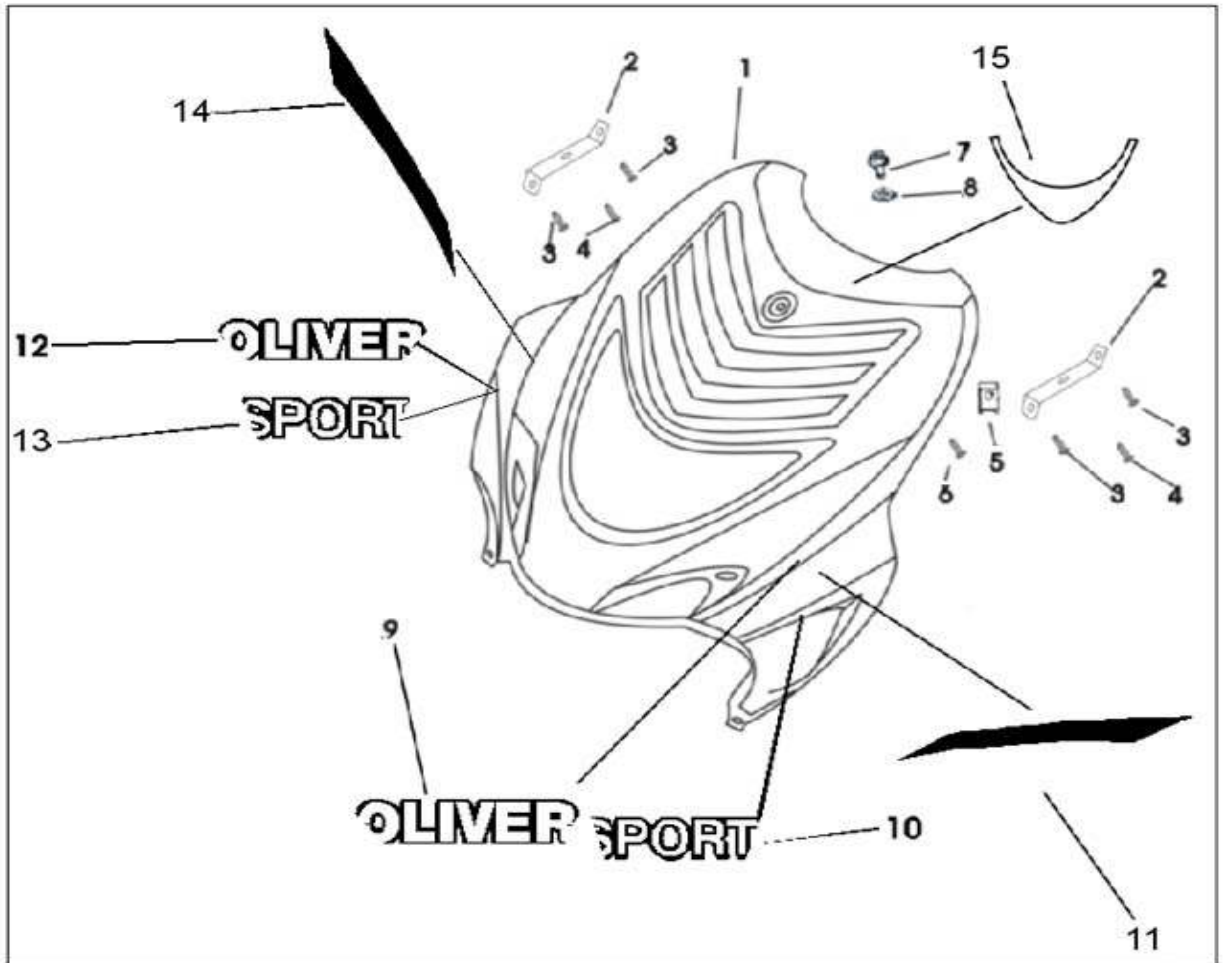
	Q0F-61121-00-60	BLACK "oliver city" FOR SILVER FRONT COVER, LEFT	1
11	Q0F-61131-00-71	SILVER STICKER FOR BLUE/BLACK FRONT COVER RIGHT	1
	Q0F-61131-00-60	BLACK STICKER FOR RED FRONT COVER, RIGHT	1
	Q0F-61131-00-10	RED STICKER FOR SILVER FRONT COVER RIGHT	1
12	Q0F-61141-00-10	RED "oliver city" FOR BLUE/BLACK FRONT COVER RIGHT	1
	Q0F-61141-00-71	SILVER "oliver city" FOR RED FRONT COVER RIGHT	1
	Q0F-61141-00-60	BLACK "oliver city" FOR SILVER FRONT COVER, RIGHT	1
13	Q0F-25177-00-00	HEAD LIGHT BRACKET	1

F13-1 FENDER



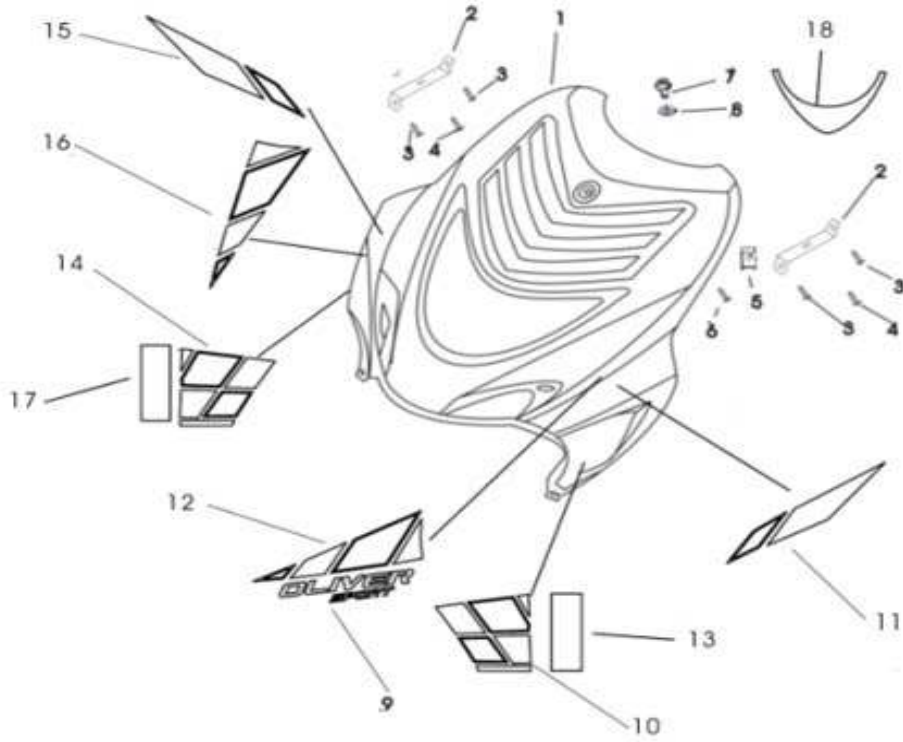
F13-1 FENDER			
NO.	CODE	DESCRIPTION	QTY.
1	Q0F-63111-00-48	LEG SHIELD,1(NEW ZEADAND BLUE)	1
2	Q0F-61112-00-1E	STICKER 1, LEFT □ORANGE RED □	1
3	Q0F-61115-00-1E	STICKER 2 MIDDLE FOR LEG SHILD □ORANGE RED □	1
4	Q0F-61122-00-70	STICK 3 LEFT □WHITE □	1
5	Q0F-61132-00-1E	STICK 4 RIGHT □ORANGE RED □	1
6	Q0F-61142-00-70	STICK 5 RIGHT □WHITE □	1

F13-2 FENDER



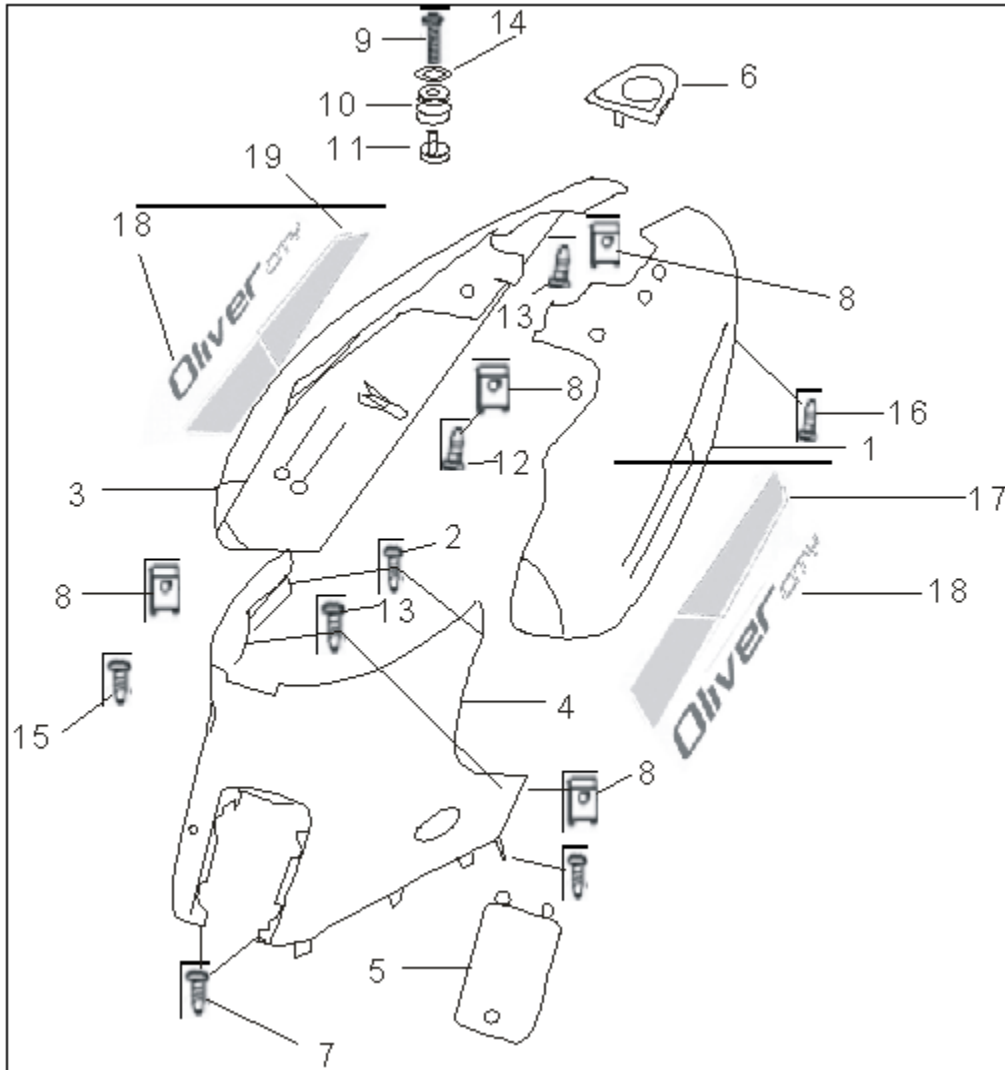
F13-2 FENDER			
NO.	CODE	DESCRIPTION	QTY.
1	Q0F-63111-00-28	LEG SHIELD,1□LOQUAT YELLOW□	1
2	Q0F-61114-00-00	STICKER 1, WHITE"OLIVER""SPORT"	1
3	Q0F-61124-00-00	STICKER 2 "OLIVER""SPORT"	1
4	Q0F-61134-00-4B	STICKER 3 LEFT	1
5	Q0F-61144-00-4B	STICKER 4 RIGHT	1
6	Q0F-61115-00-4B	STICKER 5 MIDDLE FOR LEG SHILD	1

F13-3 FENDER



F13-3 FENDER			
NO.	CODE	DESCRIPTION	QTY.
1	Q0F-63111-00-49	LEG SHIELD(QINGYUAN BLUE)	1
9	Q0F-61113-00-00	STICKER left/right"OLIVER SPORT"	2
10	Q0F-61123-00-27	STICKER 2 left(LEMON YELLOW)	1
13	Q0F-61133-00-27	STICKER 3 left(LEMON YELLOW)	1
12	Q0F-61143-00-27	STICKER 4 left(LEMON YELLOW)	1
11	Q0F-61153-00-27	STICKER 5 left(LEMON YELLOW)	1
15	Q0F-61163-00-27	STICKER 6 right(LEMON YELLOW)	1
16	Q0F-61173-00-27	STICKER 7 right(LEMON YELLOW)	1
14	Q0F-61183-00-27	STICKER 8 right(LEMON YELLOW)	1
17	Q0F-61193-00-27	STICKER 9 right(LEMON YELLOW)	1
18	Q0F-61115-00-27	STICKER 10,(LEMON YELLOW)	1

F14 SIDE COVER

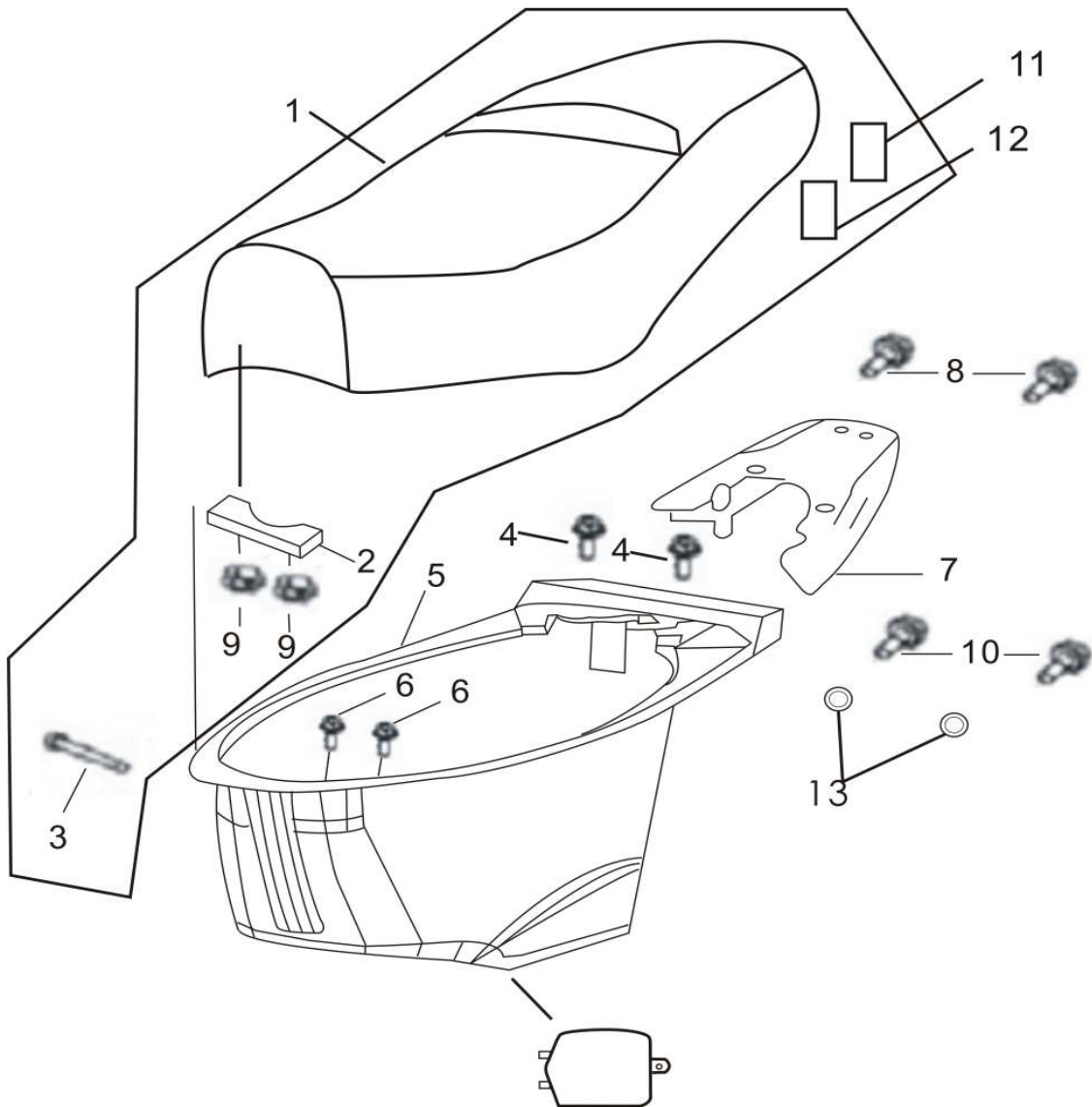


F14 SIDE COVER			
NO.	CODE	DESCRIPTION	QTY.
1	Q0F-63511-00-1C	SIDE COVER LEFT(JU RED)	1
	Q0F-63511-00-43	SIDE COVER LEFT((TRANSPARENT BLUE))	1
	Q0F-63511-00-71	SIDE COVER LEFT(SILVER WHITE)	1
	Q0F-63511-00-65	SIDE COVER LEFT(BEND BLACK)	1
	Q0F-63511-00-48	SIDE COVER LEFT(NEW ZEADAND BLUE)	1
	Q0F-63511-00-49	SIDE COVER LEFT(QINGYUAN BLUE)	1
	Q0F-63511-00-4A	SIDE COVER LEFT(SHALLOW BLUE)	1
2	B05-00-42012-05	TAPPING SCREW4.2×12□DRAK GREER)	2
3	Q0F-63521-00-1C	SIDE COVER RIGHT(JU RED)	1
	Q0F-63521-00-43	SIDE COVER RIGHT((TRANSPARENT BLUE))	1
	Q0F-63521-00-71	SIDE COVER RIGHT(SILVER WHITE)	1
	Q0F-63521-00-65	SIDE COVER RIGHT(BEND BLACK)	1
	Q0F-63521-00-48	SIDE COVER RIGHT(NEW ZEADAND BLUE)	1
	Q0F-63521-00-49	SIDE COVER RIGHT(QINGYUAN BLUE)	1
	Q0F-63521-00-4A	SIDE COVER RIGHT(SHALLOW BLUE)	1
4	Q0F-63531-00-00	SIDE COVER,3	1
5	Q0F-63541-00-00	SIDE COVER,4	1
6	Q0F-63551-00-1C	SIDE COVER (JU RED)	1

	Q0F-63551-00-43	SIDE COVER ((TRANSPARENTBLUE))	1
	Q0F-63551-00-71	SIDE COVER (SILVER WHITE)	1
	Q0F-63551-00-65	SIDE COVER (BEND BLACK)	1
	Q0F-63551-00-48	SIDE COVER (NEW ZEADAND BLUE)	1
	Q0F-63551-00-49	SIDE COVER (QINGYUAN BLUE)	1
	Q0F-63551-00-4A	SIDE COVER (SHALLOW BLUE)	1
7	B05-00-42012-05	TAPPING SCREW 4.2×12□DARK GREER)	2
8	B04-51-48000-05	SPRING NUT4.8□DARK GREER)	4
9	B02-00-06020-20	SCREW WWASHER6×20	2
10	Q0F-63574-00-00	RUBBER WASHER	2
11	Q0F-63575-00-00	BUSH	2
12	B05-00-48016-00	TAPPING SCREW 4.8X16(STAINLESS STEEL)	1
13	B05-00-48012-00	TAPPING SCREW 4.8X12(STAINLESS STEEL)	2
14	Q0F-63578-00-00	WASHER 6□DARK GREER□	1
15	B05-00-48016-00	TAPPING SCREW 4.8X16(STAINLESS STEEL)	2
16	B05-00-48016-05	TAPPING SCREW 4.8X16□DARK GREER)	4
17	Q0F-61151-00-71	SILVER STICKER FOR BLUE/BLACK SIDE COVER LEFT	1
	Q0F-61151-00-60	BLACK STICKER FOR RED SIDE COVER LEFT	1

	Q0F-61151-00-10	RED STICKER FOR SILVER SIDE COVER LEFT	1
18	Q0F-61161-00-10	RED"Oliver city" STICKER FOR BLUE/BLACK SIDE COVER LEFT AND RIGHT	2
	Q0F-61161-00-71	SILVER"Oliver city" STICKER FOR RED SIDE COVER LEFT AND RIGHT	2
	Q0F-61161-00-60	BLACK"Oliver city" STICKER FOR SILVER SIDE COVER LEFT AND RIGHT	2
19	Q0F-61171-00-71	SILVER STICKER FOR BLUE/BLACK SIDE COVER RIGHT	1
	Q0F-61171-00-60	BLACK STICKER FOR RED SIDE COVER RIGHT	1
	Q0F-61171-00-10	RED STICKER FOR SILVER SIDE COVER RIGHT	1
20	Q0F-61152-00-00	SIDE COVER STICKER(NEW ZEADAND BLUE)	1
21	Q0F-61162-00-00	SIDE COVER STICKER(NEW ZEADAND BLUE)	1
22	Q0F-611A3-00-00	SIDE COVER STICKER(QINGYUAN BLUE)	1
23	Q0F-611B3-00-00	SIDE COVER STICKER(QINGYUAN BLUE)	1
24	Q0F-61154-00-00	SIDE COVER STICKER(SHALLOW BLUE)	1
25	Q0F-61164-00-00	SIDE COVER STICKER(SHALLOW BLUE)	1

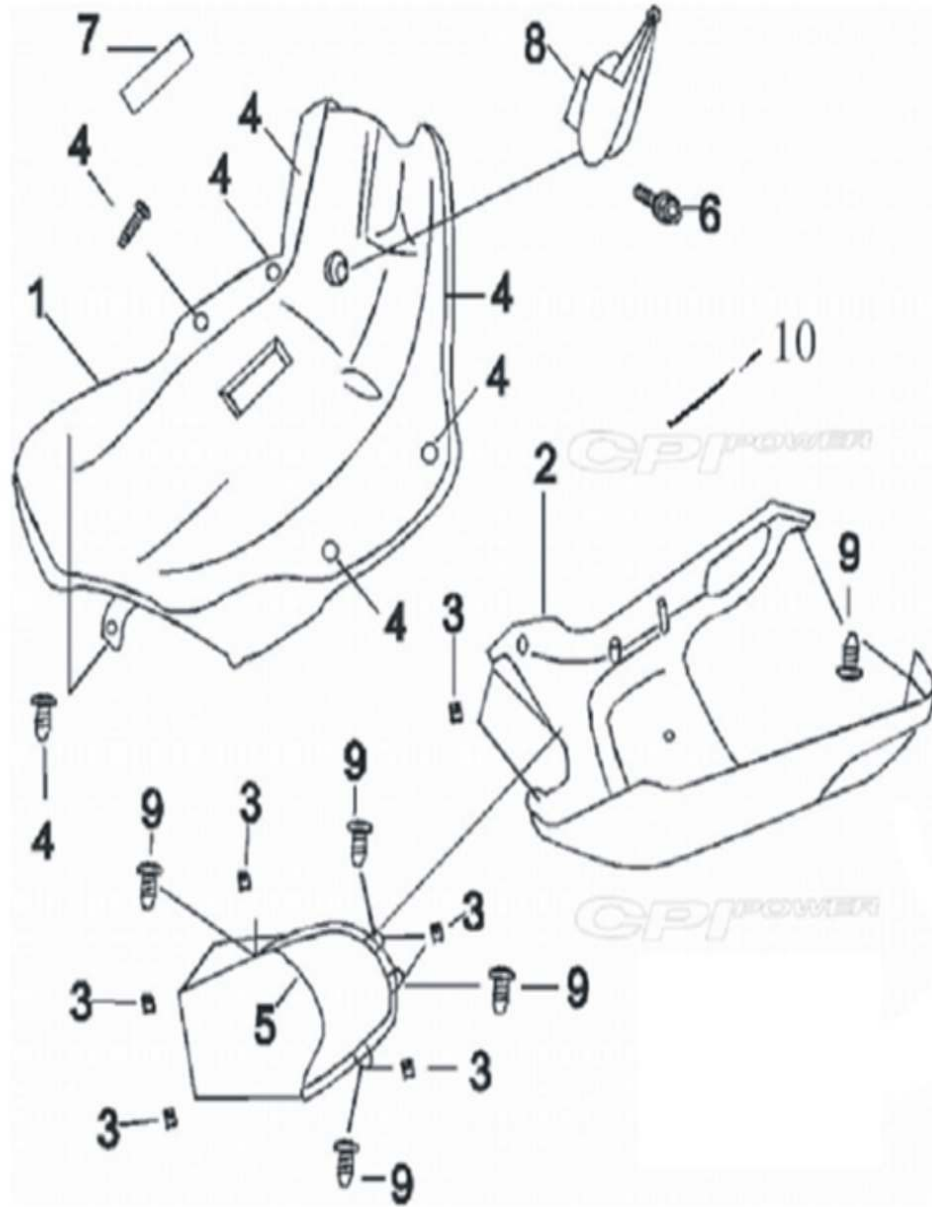
F15 SEAT ASSY



F15 SEAT ASSY			
NO.		DESCRIPTION	QTY.
1	Q0F-66111-00-00	DOUBLE SEAT ASSY.	1
	Q0F-66111-10-00	DOUBLE SEAT ASSY	
	Q0F-66111-20-00	DOUBLE SEAT ASSY 05	
	Q0F-66111-30-00	DOUBLE SEAT ASSY 05	
	Q0F-66111-40-00	DOUBLE SEAT ASSY 05(BIG SIX LEATHER)	
2	Q0F-66145-00-00	SEATHINGE	1
3	Q0F-66211-00-00	BOLT	1
4	Q0F-66177-00-05	FLANGE BOLT M6×14/φ8×3□DARK GREER)	2
5	Q0F-68111-00-00	LUGGAGE BOX	1
6	Q0F-66177-00-05	FLANGE BOLT M6×14/φ8×3□DARK GREER)	2
7	Q0F-67511-00-95	RRLUGGAGECARRIER SOMP(SLIVER GRAY)	1
	Q0F-67511-00-48	RRLUGGAGECARRIER SOMP□NEW ZEADAND BLUE□	
	Q0F-67511-00-49	RRLUGGAGECARRIER SOMP□QINGYUAN BLUE□	
	Q0F-67511-00-4A	RRLUGGAGECARRIER SOMP□SHALLOW BLUE□	1
8	B02-05-08040-60	SOCKET BOLT 8×40(STAINLESS STEEL)	2
9	B04-07-06000-43	NUT 6MM(GOLD COLORED)	2
10	B02-05-08050-60	SOCKET BOLT 8×50(STAINLESS STEEL)	2
11	Q0F-61123-00-00	FRANE BODY NO PLATE 80db(a)45/58KM/H	1
	Q0F-61123-10-00	FRANE BODY NO PLATE 75db(A)30KM/H	1

	Q0F-61123-20-00	FRANE BODY NO PLATE 78db(A)25KM/H	1
	Q0F-61123-30-00	FRANE BODY NO PLATE(Aluminum PLATE)	1
12	Q0F-61114-00-00	PLATE ANTI TEMPERING 45/58kmh version	1
	Q0F-61114-10-00	PLATE ANTI TEMPERING 30kmh version	1
	Q0F-61114-20-00	PLATE ANTI TEMPERING 25kmh version	1
	Q0F-61114-30-00	PLATE ANTI TEMPERING(Aluminum PLATE)	1
13	B07-03-00008-00	WASHER 8(STAINLESS STEEL)	4

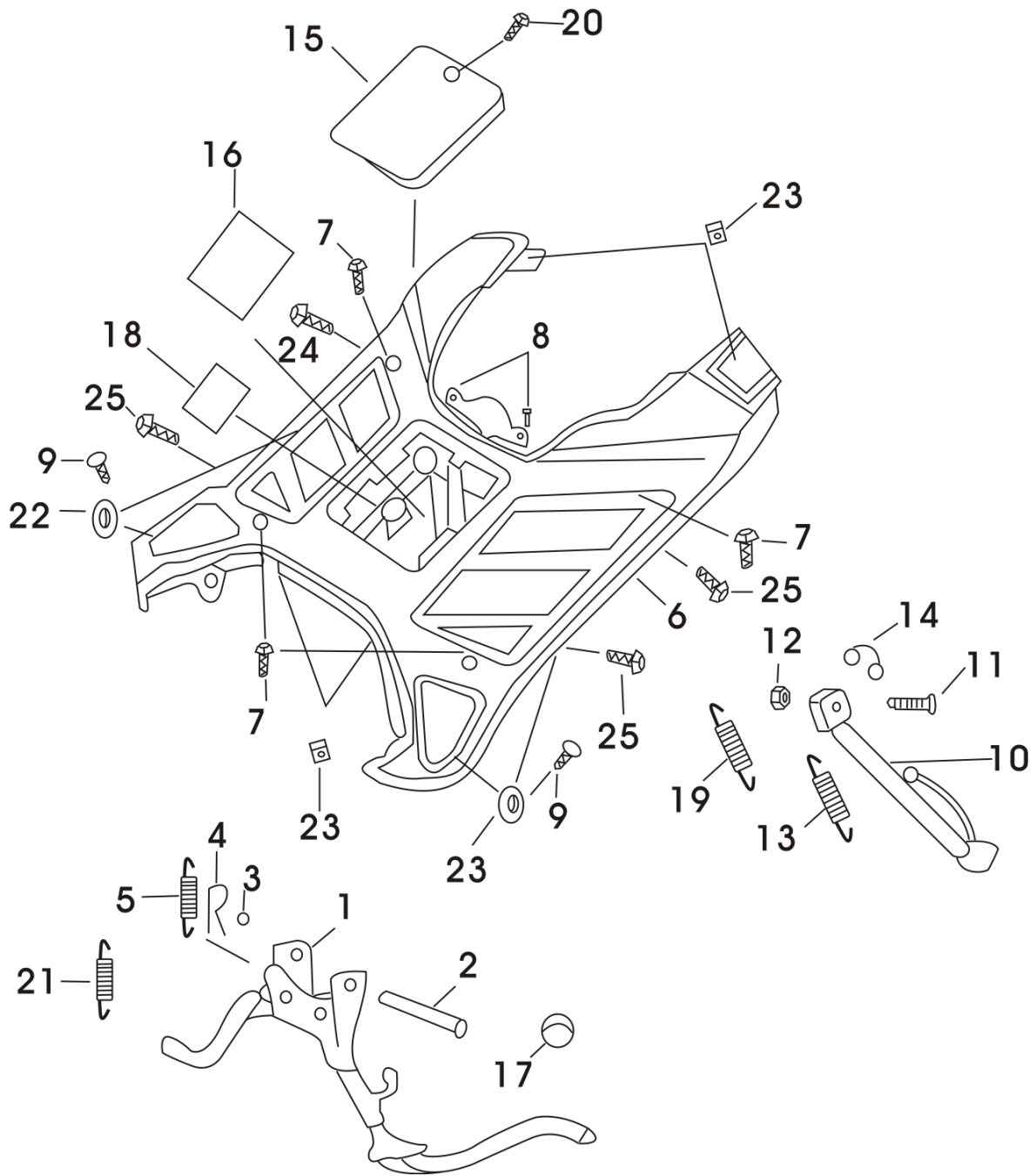
F16 LEG SHIELD



F16 LEG SHIELD			
NO.		DESCRIPTION	QTY.
1	Q0F-63121-00-00	LEG SHIELD,2	1
2	Q0F-63141-00-1C	UNDER COVER(JU RED)	1
	Q0F-63141-00-43	UNDER COVER(TRANSPARENT BLUE)	1
	Q0F-63141-00-71	UNDER COVER(SILVER WHITE)	1
	Q0F-63141-00-65	UNDER COVER(BEND BLACK)	1
	Q0F-63141-00-48	UNDER COVER □NEW ZEADAND BLUE □	1
	Q0F-63141-00-49	UNDER COVER □QINGYUAN BLUE □	1
	Q0F-63141-00-66	UNDER COVER □SECOND BLACK □	1
	Q0F-63141-00-66	UNDER COVER	1
3	B04-51-42000-05	SPRING NUT4.2(DARK GREER)	6
4	B05-00-48012-00	TAPPING SCREW4.8×12(STAINLESS STEEL)	6
5	Q0F-64115-00-00	INNER FENDER.	1
6	B01-09-06030-60	BOLT 6×30(STAINLES STEEL)	1
7	Q0F-63161-00-00	INSPECT COVER	1
	Q0F-63161-10-00	INSPECT COVER(NEW)	1
8	Q0F-68123-00-00	HOOK	1
9	B05-00-42016-05	TAPPING SCREW4.2×16 □DARK GREER)	6
10	Q0F-61181-00-70	WHITE"CPI POWER" FOR BLUE/BLACK/RED UNDER COVER	2
	Q0F-61181-00-90	DARK GRAY"CPI POWER" FOR SILVER UNDER COVER	2

	Q0F-61181-00-71	SLIVER WHITE"CPI POWER"FOR □NEW ZEADAND BLUE/QINGYUAN BLUE/SHALLOW BLUE□ UNDER COVER	2
11	B05-00-48016-05	TAPPING SCREW4.8×16(DARK GREER)	2
12	B05-00-42016-00	TAPPING SCREW4.2×16(STAINLESS STEEL)	2

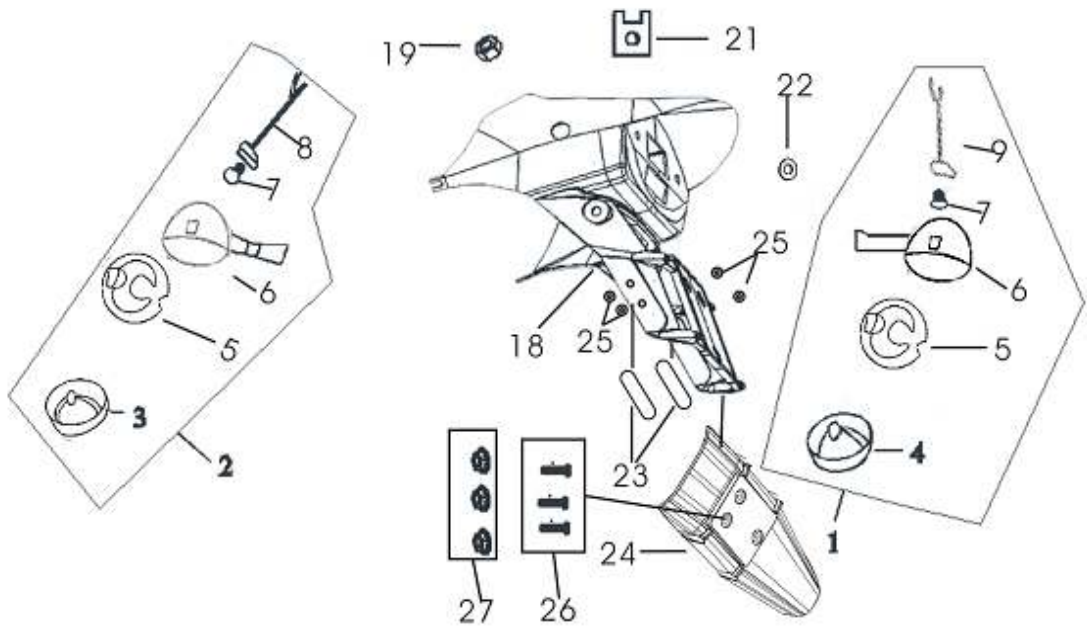
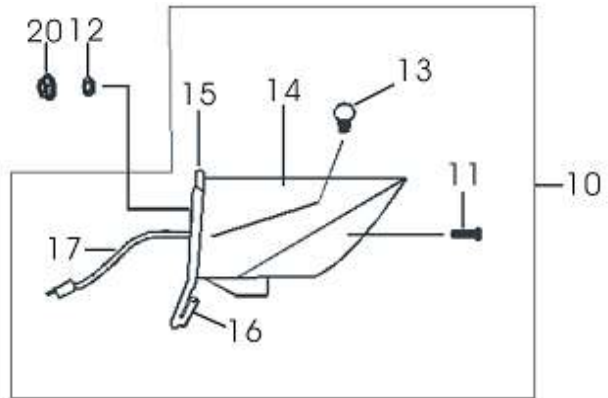
F17 STAND/FOOTREST



F17 STAND/FOOTREST			
NO.		DESCRIPTION	QTY.
1	Q0F-49110-00-00	MAIN STSAND COMP EURO □	1
2	Q0F-49141-00-00	PIN EURO □	1
3	B07-03-00010-03	PLATE WASHER 10(GOLD COLORED)	1
4	B09-00-25028-03	PIN 2.5×28 EURO □	2
5	Q0F-49155-00-00	TENSION SPRING □DIG □EURO □	1
6	Q0F-63411-00-00	FLOOR BLACK	1
7	Q0F-66177-00-00	BOLT WWASHER M6×14/φ8×3(STAINLESS STEEL)	4
8	B04-51-48000-05	SPRING NUT4.8(DARK GRER)	2
9	B05-00-42012-00	TAPPING SCREW4.2×12(STAINLESS STEEL)	4
10	Q0F-49210-00-01	SIDE STAND COMP(PLATE CHROME)	1
	Q0F-49210-00-60	SIDE STAND COMP(BLACK PAINT)	1
11	Q0F-49261-00-00	BOLT M8×13.5(STAINLESS STEEL)	1
12	B04-07-08000-60	NUT 8 (STAINLESS STEEL)	1
13	Q0F-49255-00-00	TENSION SPRING □DIG □	1
14	Q0F-49258-00-00	HOOK	1
15	Q0F-23433-00-00	BATTERY COVER	1
16	Q0F-23453-00-00	BATTERY DAMPER	1
17	Q0F-49153-00-00	CUSHION, MID STAND	1

18	Q0F-23454-00-00	BATTERY DAMPER	1
19	Q0F-49256-00-00	TENSION SPRING □ SMALL □	1
20	B05-00-48016-00	TAPPING SCREW 4.8X16(STAINLESS STEEL)	1
21	Q0F-49156-00-00	TENSION SPRING □ SMALL □	1
22	B07-03-00005-00	WASHER 5(STAINLESS STEEL)	4
23	B04-51-48000-05	SPRING NUT 4.8(DARK GREY)	4
24	B01-09-06016-25	BOLT 6X16 □ DARK GREY	4

F18 TAIL LIGHT



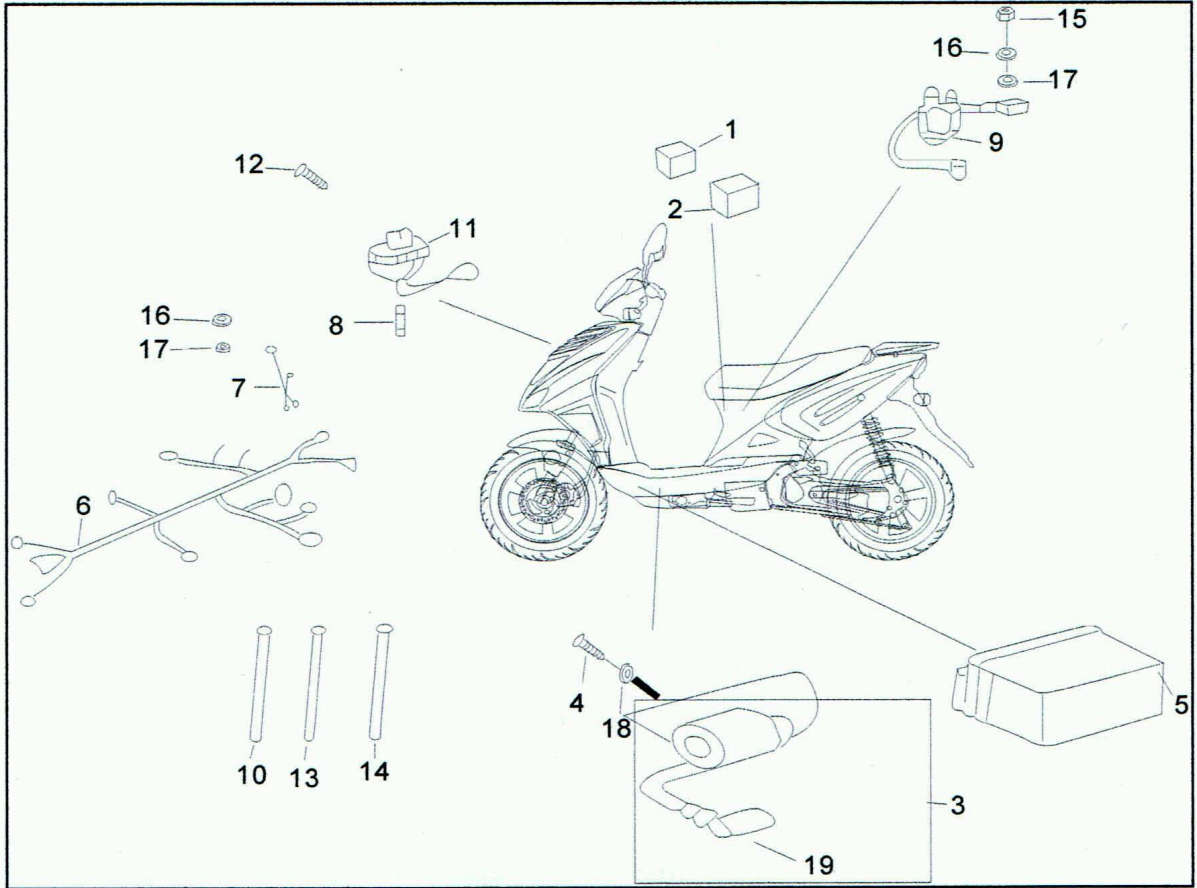
F18 TAIL LIGHT			
NO.		DESCRIPTION	QTY.
1	Q0F-25640-00-00	REAR FLASHER LIGHT COMP LEFT(TAI WAN)	
	Q0F-25640-10-00	REAR FLASHER LIGHT COMP LEFT(DOT MARKING)	1
	Q0F-25640-01-00	REAR FLASHER LIGHT COMP LEFT(BIG SIX)	
2	Q0F-25650-00-00	REAR FLASHER LIGHT COMP RIGHT(TAI WAN)	
	Q0F-25650-10-00	REAR FLASHER LIGHT COMP RIGHT(DOT MARKING)	1
	Q0F-25650-01-00	REAR FLASHER LIGHT COMP RIGHT(BIG SIX)	
3	Q0F-25642-00-00	LIGHT COVER, R.(TAI WAN)	
	Q0F-25642-10-00	LIGHT COVER, R.(DOT MARKING)	1
	Q0F-25642-01-00	LIGHT COVER, R.(BIG SIX)	
4	Q0F-25652-00-00	LIGHT COVER, L(TAI WAN).	
	Q0F-25652-10-00	LIGHT COVER, L.(DOT MARKING)	1
	Q0F-25652-01-00	LIGHT COVER, L(BIG SIX)	
5	Q0F-25647-00-00	BOWL, REFLEX LIGHT(TAI WAN)	
	Q0F-25647-10-00	BOWL, REFLEX LIGHT(DOT MARKING)	2
	Q0F-25647-01-00	BOWL, REFLEX LIGHT(BIG SIX)	
6	Q0F-25643-00-00	BULB BASE(TAI WAN)	
	Q0F-25643-10-00	BULB BASE(DOT MARKING)	2

	Q0F-25643-01-00	BULB BASE(BIG SIX)	
7	Q0F-25686-00-00	BULB, 12V/10W(TAI WAN)	
	Q0F-25686-10-00	BULB, 12V/21W(DOT MARKING)	2
	Q0F-25686-01-00	BULB, 12V/10W(BIG SIX)	
8	Q0F-25645-00-00	WIRE COMP. □ F. L. FLASHER(TAI WAN)	
	Q0F-25645-10-00	WIRE COMP. □ F. L. FLASHER(DOT MARKING)	1
	Q0F-25645-01-00	WIRE COMP. □ F. L. FLASHER(BIG SIX)	
9	Q0F-25655-00-00	WIRE COMP. □ F. R. FLASHER(TAI WAN)	
	Q0F-25655-10-00	WIRE COMP. □ F. R. FLASHER(DOT MARKING)	1
	Q0F-25655-01-00	WIRE COMP. □ F. R. FLASHER(BIG SIX)	
10	Q0F-25401-00-00	TAIL LIGHT COMP(TAI WAN).	1
	Q0F-25401-10-00	TAIL LIGHT COMP(TAI WAN).	1
	Q0F-25401-01-00	TAIL LIGHT COMP.(BIG SIX)	
	Q0F-25401-11-00	TAIL LIGHT COMP.(BIG SIX)	
11	B05-00-40020-00	TAPPING SCREW 4X20	2
12	Q0F-25430-00-00	RUBBER WASHER	3
13	Q0F-25451-00-00	BULB 12V 21/5W(TAI WAN)	1
	Q0F-25451-01-00	BULB 12V 21/5W(BIG SIX)	1
14	Q0F-25412-00-00	INDICATOR LENS (TAI WAN)	1

	Q0F-25412-10-00	INDICATOR LENS (TAI WAN)	1
	Q0F-25412-01-00	INDICATOR LENS(BIG SIX)	1
	Q0F-25412-11-00	INDICATOR LENS (BIG SIX)	1
15	Q0F-25411-00-00	TAIL LIGHT BASE(TAI WAN)	1
	Q0F-25411-10-00	TAIL LIGHT BASE(TAI WAN)	1
	Q0F-25411-01-00	TAIL LIGHT BASE(BIG SIX)	1
	Q0F-25411-11-00	TAIL LIGHT BASE(BIG SIX)	1
16	Q0F-25427-00-00	RR□REFLECTOR(TAI WAN)	1
	Q0F-25427-01-00	RR□REFLECTOR(BIG SIX)	1
17	Q0F-25460-00-00	WIRE COMP.□TAIL LIGHT(TAI WAN)	1
	Q0F-25460-01-00	WIRE COMP.□TAIL LIGHT(BIG SIX)	1
18	Q0F-64251-00-00	LICENSE BRACKET 05	1
19	B04-06-10125-55	NUT M10X1.25(DARK GREER)	2
20	B04-07-06000-25	FLANGE NUT M6(DARK GREER)	3
21	B04-51-48000-05	SPRING NUT 4.8	2
22	B07-03-00010-05	WASHER 10(DARK GREER)	2
23	Q0F-64260-00-00	REAR REFLECTOR(TAI WAN)	
	Q0F-64260-10-00	REAR REFLECTOR(DOT MARKING)	2
	Q0F-64260-01-00	REAR REFLECTOR	
24	Q0F-64252-00-00	LOWER LICENCE BRACKET 05	1

25	QOF-64261-00-05	CLIP SLICE(DARK GREER)	4
26	B13-06-05016-00	TAPPING SCREW M5X16(STAINLESS STEEL)	3
27	B04-17-05000-03	NUT M5(GOLD COLORED)	3

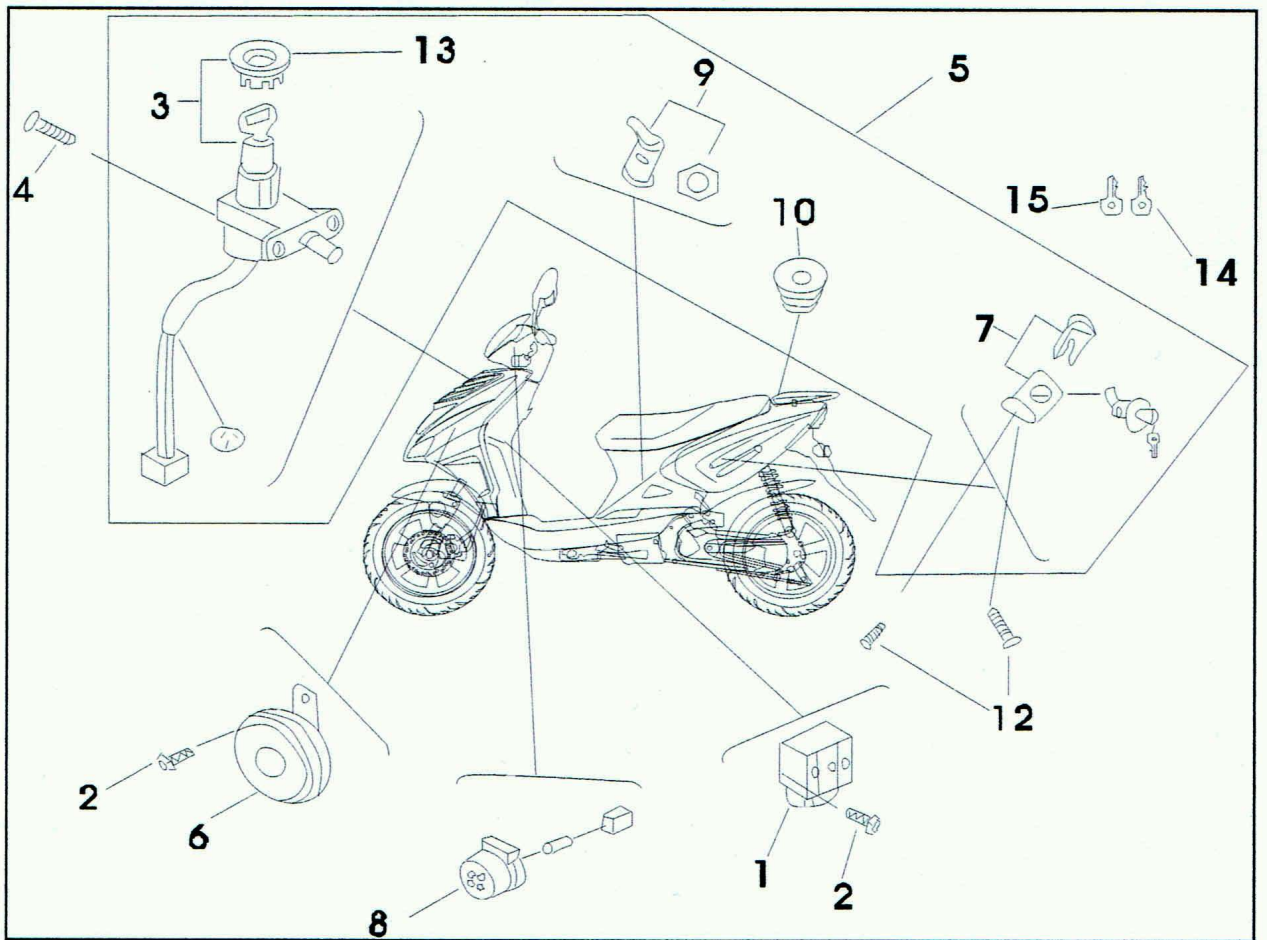
F19 ELECTRICAL EQUIPMENT ASSY.1



F19 ELECTRICAL EQUIPMENT ASSY.1			
NO.		DESCRIPTION	QTY.
1	Q0F-23110-00-00	C.D.I. UNIT COMP.	1
2	Q0F-23112-00-00	CUSHION. C.D.I	1
3	Q0F-23140-00-00	SPARK PLUG CONNECTOR	1
4	B02-00-05020-25	HEX. 5×20(DARK GREER)	1
5	Q0F-23410-00-00	BATTERY ASSY.	1
6	Q0F-23610-00-00	WIRE HARNESS ASSY.	1
	Q0F-23610-10-00	WIRE HARNESS ASSY.	
7	Q0F-23661-00-00	WIRE HARNESS	1
8	Q0F-23657-00-00	FUSE 7A	1
9	Q0F-28510-00-00	STARTER RELAY COMP.	1
10	Q0F-23681-00-00	BAND 250MM	2
11	Q0F-28410-00-00	RESISTOR COMP.	1
12	B01-09-06012-25	BOLT 6×12(DARK GREER)	1
13	Q0F-23681-20-00	BAND 200MM	2
14	Q0F-23681-10-00	BAND 150MM	1
15	B04-00-06000-63	NUT 6(GOLD COLORED)	2
16	B07-03-00006-03	WASHER 6(GOLD COLORED)	2
17	B07-00-00006-03	SPRING COIL WASHER 6(GOLD COLORED)	2
18	B07-03-00005-05	WASHER 5(DARK GREER)	1

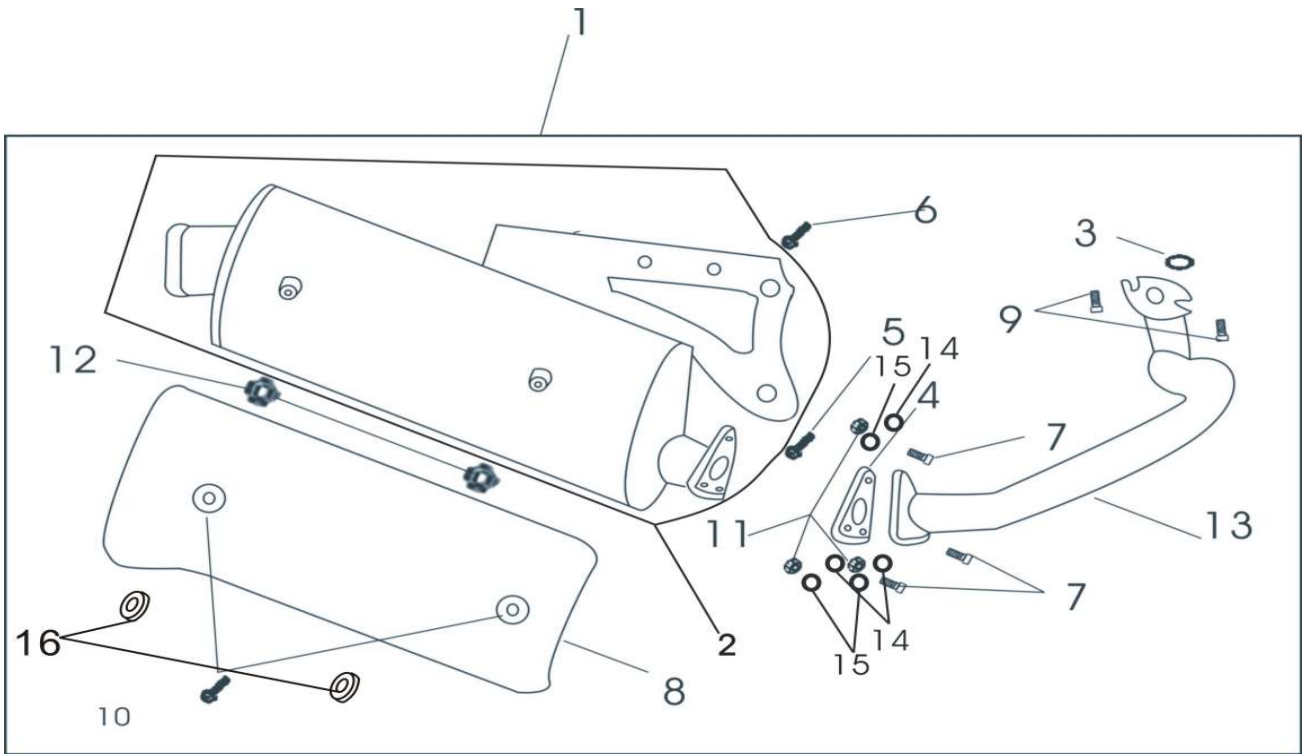
19	Q0F-23144-00-00	IGNITION COIL ASSY.	1
----	-----------------	---------------------	---

F20 ELECTRICAL EQUIPME □



F20 ELECTRICAL EQUIPMET □			
NO.		DESCRIPTION	QTY.
1	Q0F-21310-00-00	REGULATOR COMP.EURO□	1
2	B01-09-06012-25	BOLT 6×12□DARK GREER)	2
3	Q0F-56210-00-00	MAIN SWITCH ASSY.	1
4	QOF-56218-00-00	BOLT 6×16(DARK GREER)	2
5	Q0F-56200-00-00	LOCK ASSY	1
6	Q0F-28211-00-00	HORN EURO□	1
7	Q0F-56514-00-00	LOCK ASSY. , SEAT	1
8	Q0F-28110-00-00	FLASH&AUDIO PILOTOCMF	1
	Q0F-28110-10-00	FLASH&AUDIO PILOTOCMF(DOT MARKING)	1
9	Q0F-56810-00-00	LOCK, SIDE COVER	1
10	Q0F-56610-00-00	LOCK ASSY., FUEL TANK EURO□	1
11	B05-00-38007-05	TAPPING SCREW 3.8×6.5□DARK GREER)	2
12	Q0F-56251-00-00	COVER,MAIN SWITCH EURO□	1
13	Q0F-56280-00-00	KEY NUT LEFT EURO□	1
14	Q0F-57000-00-00	THIEF ALARM	1
	Q0F-57000-10-00	THIEF ALARM	

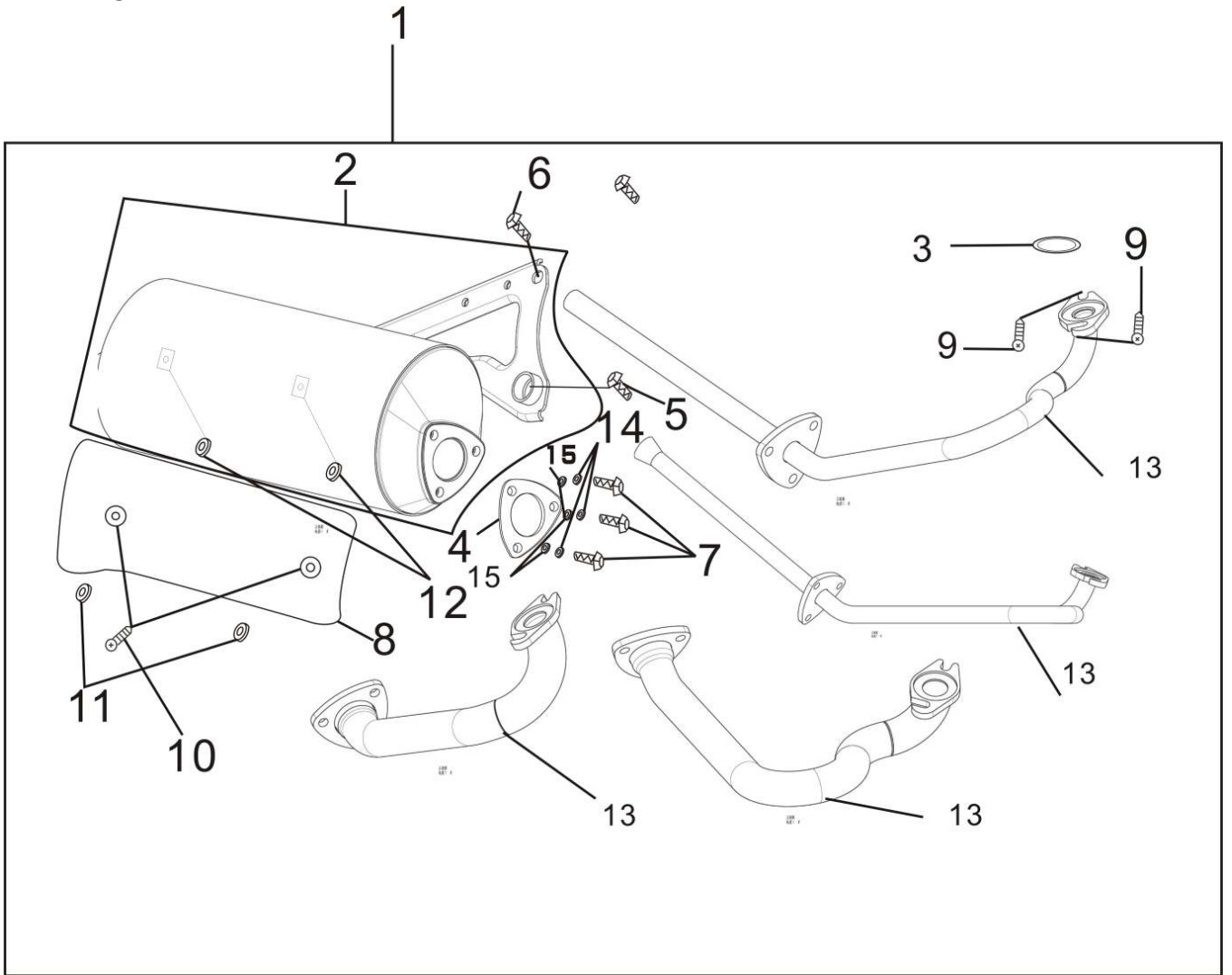
F21 MUFFLER



F21 MUFFLER			
NO.		DESCRIPTION	QTY.
1	Q0F-18200-00-00	MUFFLER ASSY.58km/h(STAINLESS STEEL catalyst)	1
	Q0F-18200-10-00	MUFFLER ASSY.45km/h(STAINLESS STEEL catalyst)	
	Q0F-18200-20-00	MUFFLER ASSY.30km/h(STAINLESS STEEL catalyst)	
	Q0F-18200-30-00	MUFFLER ASSY.25km/h(STAINLESS STEEL catalyst)	
	Q0F-18200-80-00	MUFFLER ASSY.58km/h(STAINLESS STEEL no catalyst)	
2	Q0F-18210-00-00	MUFFLER JOINING COMP(STAINLESS STEEL catalyst)	1
	Q0F-18210-10-00	MUFFLER JOINING COMP(STAINLESS STEEL catalyst)	1
	Q0F-18210-20-00	MUFFLER JOINING COMP(STAINLESS STEEL no catalyst)	1
3	Q0F-18131-00-00	GROMMET, EXHAUST PIPE	1
4	Q0F-18118-00-00	GASKET, FLANGE	1
5	B01-09-08020-60	FLANGE BOLT8×20(STAINLESS STEEL)	1
6	B01-09-08035-60	FLANGE BOLT8×35(STAINLES STEEL)	1
7	B02-05-06025-60	SCREW6×25(STAINLESS STEEL 45,58km/h)	3
	B02-05-06025-60	SCREW6×25(STAINLESS STEEL 25,30km/h)	2
	Q0F-18160-00-00	SCREW6×25(STAINLESS STEEL 25,30km/h)	1

8	Q0F-18111-00-00	MUFFLER .COVER(STAINLESS STEEL)	1
	Q0F-18111-10-00	MUFFLER .COVER 05(STAINLESS STEEL)	1
9	B01-09-06016-60	BOLT6×16(STAINLESS STEEL 45/58km/h)	3
	B01-09-06016-60	BOLT6×16(STAINLESS STEEL 25/30km/h)	2
	Q0F-18160-10-00	BOLT6×16(STAINLESS STEEL 25/30km/h)	1
10	B02-05-06010-60	SCREW 6X10(STAINLESS STEEL)	2
11	B04-00-06000-60	NUT M6 (STAINLESS STEEL)	3
12	Q0F-18141-00-00	HEAT INSULATION WASHER	2
13	Q0F-18240-00-00	MANIFOLD 58km/h(STAINLESS STEEL)	1
	Q0F-18240-10-00	MANIFOLD 45km/h(STAINLESS STEEL)	1
	Q0F-18240-20-00	MANIFOLD 30km/h(STAINLESS STEEL)	1
	Q0F-18240-30-00	MANIFOLD 25km/h(STAINLESS STEEL)	1
14	B07-03-00006-00	WASHER 6(STAINLES STEE)	3
15	B07-00-00006-00	SPRING COIL WASHER 6(STAINLESS STEEL)	5
16	B07-03-00006-00	WASHER 6(STAINLESS STEEL)	2
17	Q0F-18215-00-00	DAMPER	1

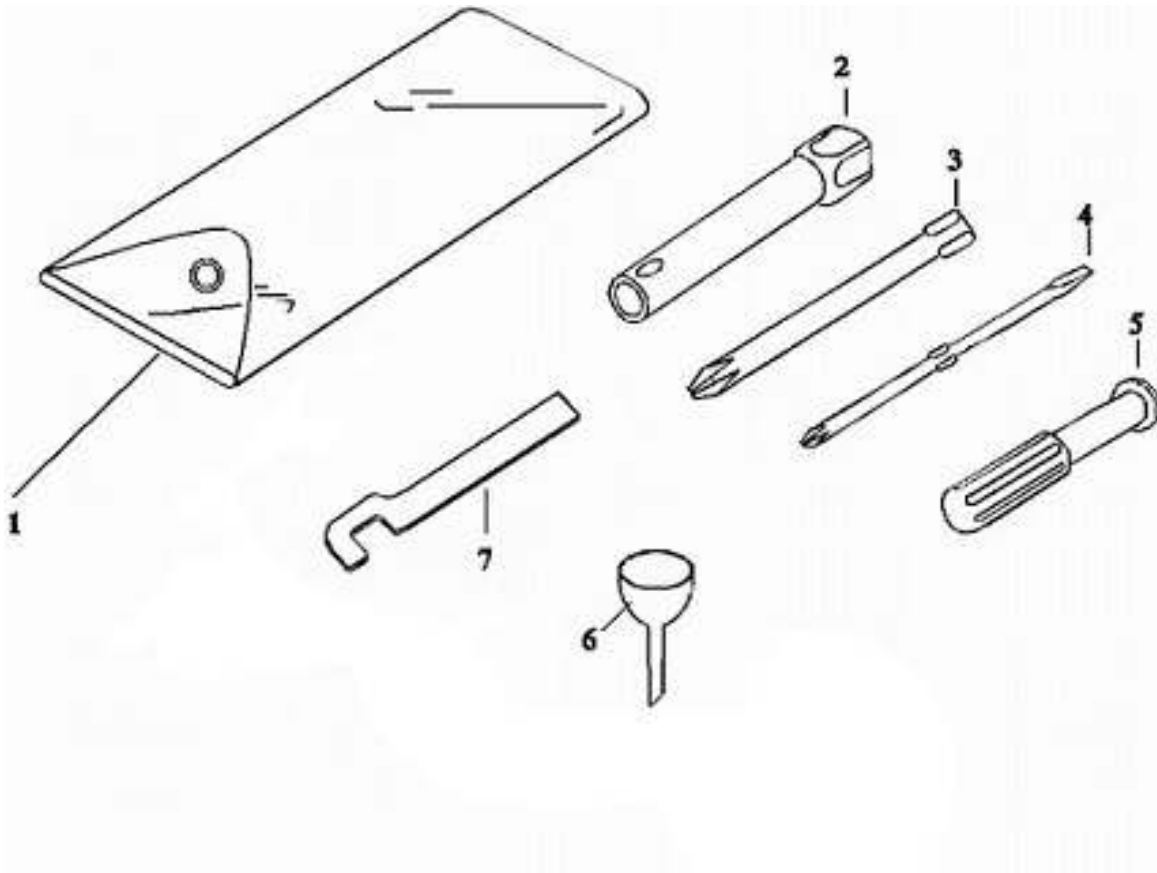
F21-1 MUFFLER



F21-1 MUFFLER			
NO.		DESCRIPTION	QTY.
1	Q0F-18200-40-00	MUFFLER ASSY.58km/h(STAINLESS STEEL catalyst)	1
	Q0F-18200-50-00	MUFFLER ASSY.45km/h(STAINLESS STEEL catalyst)	1
	Q0F-18200-60-00	MUFFLER ASSY.30km/h(STAINLESS STEEL catalyst)	1
	Q0F-18200-70-00	MUFFLER ASSY.25km/h(STAINLESS STEEL catalyst)	1
	Q0F-18200-90-00	MUFFLER ASSY.58km/h(STAINLESS STEEL no catalyst)	1
	Q0F-18200-A0-00	MUFFLER ASSY.45km/h(Carbon steel catalyst)	1
	Q0F-18200-B0-00	MUFFLER ASSY.58km/h(Carbon steel catalyst)	1
2	Q0F-18210-30-00	MUFFLER JOINING COMP(STAINLES STEEL catalyst)	1
	Q0F-18210-40-00	MUFFLER JOINING COMP(STAINLESS STEEL NO catalyst)	1
	Q0F-18210-50-00	MUFFLER JOINING COMP(Carbon steel catalyst)	1
3	Q0F-18131-00-00	GROMMET, EXHAUST PIPE	1
4	Q0F-18118-10-00	GASKET, FLANGE	1
5	B01-09-08020-60	FLANGE BOLT8×20(STAINLES STEE)	1
6	B01-09-08035-60	FLANGE BOLT8×35(STAINLES STEE)	1
7	B02-05-06025-60	SCREW6×25(STAINLESS STEE 45,58km/h)	3

	B02-05-06025-60	SCREW6×25(STAINLESS STEE 25,30km/h)	2
	Q0F-18160-00-00	SCREW6×25(STAINLESS STEEL 25,30km/h)	1
8	Q0F-18111-00-00	MUFFLER .COVER(STAINLESS STEEL)	1
	Q0F-18111-10-00	MUFFLER .COVER(STAINLESS STEEL)05	1
	Q0F-18111-20-00	MUFFLER .COVER(Carbon steel)	1
9	B01-09-06016-60	BOLT6×16(STAINLESS STEEL)45/58km/h	2
	B01-09-06016-60	BOLT6×16(STAINLESS STEEL)25/30km/h	1
	Q0F-18160-10-00	BOLT6×16(STAINLESS STEEL 25/30km/h)	1
10	B02-05-06010-60	SCREW 6X10(STAINLESS STEEL)	2
11	B07-03-00006-00	WASHER 6(STAINLESS STEEL)	2
12	Q0F-18141-00-00	HEAT INSULATION WASHER	2
13	Q0F-18240-40-00	MANIFOLD 58km/h (STAINLESS STEEL)	1
	Q0F-18240-50-00	MANIFOLD 45km/h(STAINLESS STEEL)	1
	Q0F-18240-60-00	MANIFOLD 30km/h(STAINLESS STEEL)	1
	Q0F-18240-70-00	MANIFOLD 25km/h (STAINLESS STEE)	1
	Q0F-18240-80-00	MANIFOLD 45km/h(Carbon steel)	1
	Q0F-18240-90-00	MANIFOLD 58km/h(Carbon steel)	1
14	B07-03-00006-00	WASHER 6(STAINLESS STEE)	3
15	B07-00-00006-00	SPRING COIL WASHER 6(STAINLESS STEEL)	5
16	Q0F-18215-00-00	DAMPER	1

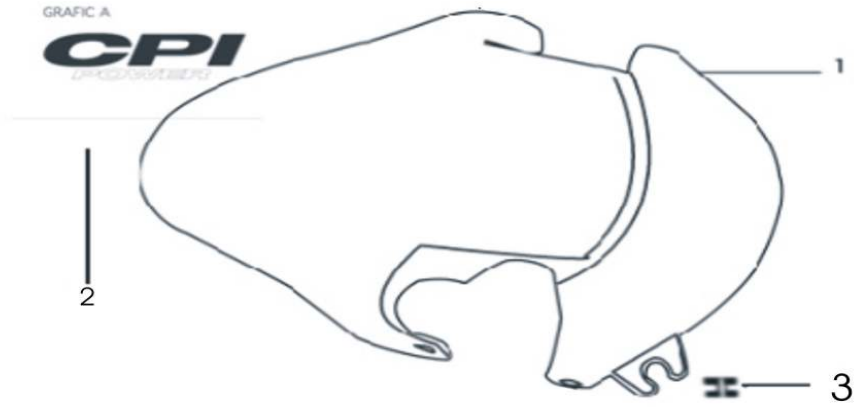
F22 TOOL KIT



F22 TOOL KIT

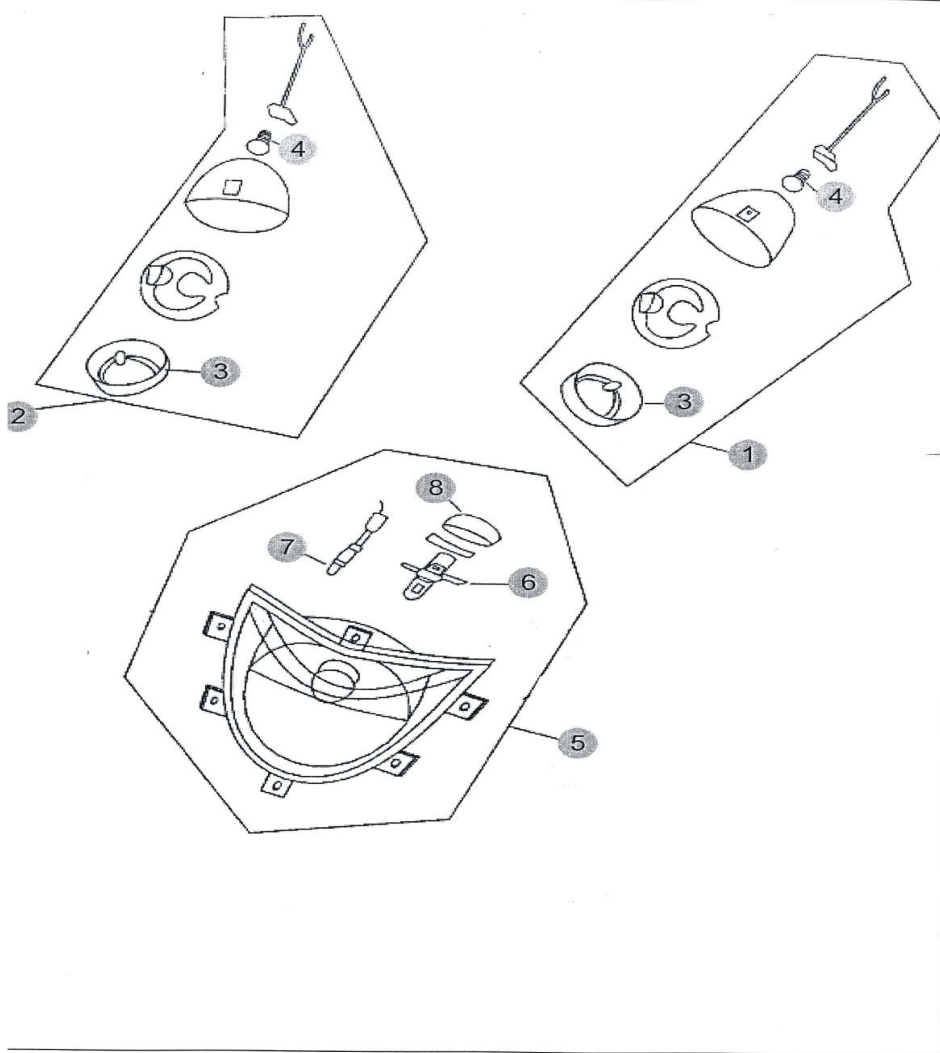
NO.	CODE	DESCRIPTION	QTY.
1	Q0F-71110-00-00	TOOL BAG	1

F23 FRONT FENDER



F23 FRONT FENDER			
NO.		DESCRIPTION	QTY.
1	Q0F-64111-00-66	FRONT FENDER(SECOND BLACK)	1
	Q0F-64111-00-48	FRONT FENDER □ □ NEW ZEADAND BLUE □	
	Q0F-64111-00-49	FRONT FENDER □ □ QINGYUAN BLUE □	
	Q0F-64111-00-4A	FRONT FENDER □ □ SHALLOW BLUE □	
2	Q0F-61191-00-00	"CPI POWER'STICKER FOR (BLUE/SILVER/BLACK SCOOTERS □ FRONT FENDER	
	Q0F-61191-10-00	"CPI POWER'STICKER FOR (RED SCOOTER)FRONT FENDER	1
	Q0F-61191-20-00	"CPI POWER'STICKER FOR □ NEW ZEADAND BLUE □ QINGYUAN BLUE □	
	Q0F-61191-30-00	"CPI POWER'STICKER FOR □ SHALLOW BLUE □	

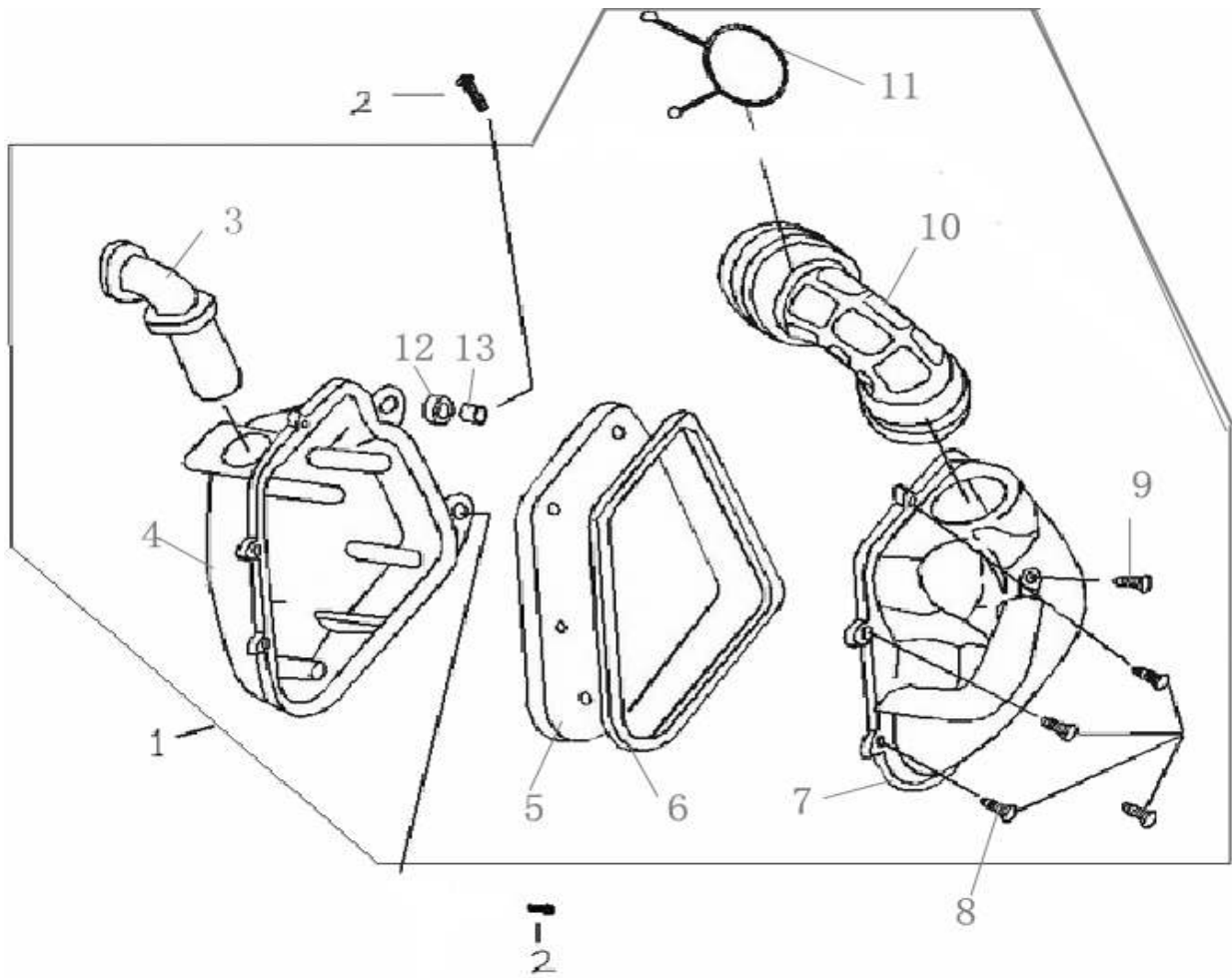
F24 FLASHER LIGHT/HEAD LIGHT



F24 FLASHER LIGHT/HEAD LIGHT			
NO.		DESCRIPTION	QTY.
1	Q0F-25620-00-00	FLASHER LIGHT ASSY FRONT LEFT(TAI WAN)	
	Q0F-25620-10-00	FLASHER LIGHT ASSY FRONT LEFT(DOT MARKING)	1
	Q0F-25620-01-00	FLASHER LIGHT ASSY FRONT LEFT(BIG SIX)	
2	Q0F-25630-00-00	FLASHER LIGHT ASSY FRONT RIGHT(TAI WAN)	
	Q0F-25630-10-00	FLASHER LIGHT ASSY FRONT RIGHT(DOT MARKING)	1
	Q0F-25630-01-00	FLASHER LIGHT ASSY FRONT RIGHT (BIG SIX)	
3	Q0F-25622-00-00	INDICATOR LENS FRONT LEFT (TAI WAN)	
	Q0F-25622-10-00	INDICATOR LENS FRONT LEFT (DOT MARKING)	1
	Q0F-25622-01-00	INDICATOR LENS FRONT LEFT (BIG SIX)	
4	Q0F-25686-00-00	BLUB 12V 10W ORANGE(TAI WAN)	
	Q0F-25686-10-00	BLUB 12V 21W ORANGE(DOT MARKING)	2
	Q0F-25686-01-00	BLUB 12V 10W ORANGE(BIG SIX)	
5	Q0F-25101-00-00	HEAD LIGHT ASSY(TAI WAN)	1
	Q0F-25101-10-00	HEAD LIGHT ASSY(TAI WAN)	
	Q0F-25101-01-00	HEAD LIGHT ASSY(BIG SIX)	
	Q0F-25101-11-00	HEAD LIGHT ASSY(BIG SIX)	
6	Q0F-25151-00-00	BLUB 12V-35/35W(TAI WAN)	1
	Q0F-25151-10-00	BLUB 12V-35/35W(TAI WAN)	
	Q0F-25151-01-00	BLUB 12V-35/35W(BIG SIX)	

	Q0F-25151-11-00	BLUB 12V-35/35W (BIG SIX)	
7	Q0F-25351-00-00	BLUB 12V5W(TAI WAN)	1
	Q0F-25351-01-00	BLUB 12V5W(BIG SIX)	
8	Q0F-25152-00-00	HEAD LIGHT BASE OLIVER(TAI WAN)	1
	Q0F-25152-01-00	HEAD LIGHT BASE OLIVER(BIG SIX)	
9	Q0F-25632-00-00	INDICATOR LENS FRONT RIGHT(TAI WAN)	
	Q0F-25632-10-00	INDICATOR LENS FRONT RIGHT(DOT MARKING)	1
	Q0F-25632-01-00	INDICATOR LENS FRONT RIGHT(BIG SIX)	

F25 AIR CLEANER ASSY



F25 AIR CLEANER ASSY			
NO.	CODE	DESCRIPTION	QTY.
1	Q0F-09110-00-00	AIR CLEANER ASSY.	1
2	B01-09-06020-65	BOLT 6×20(DARK GREEN)	2
3	Q0F-09142-00-00	GUIDE, BRAKE CABLE	1
4	Q0F-09111-00-00	AIR CLEANER COMP.	1
5	Q0F-09114-00-00	AIR CLEANER ELEMENT	1
6	Q0F-09115-00-00	RUBBER WASHER	1
7	Q0F-09112-00-00	AIR CLEANER CAP,1	1
8	B05-00-48016-05	SCREW 4.8×16(dark green)	4
9	B05-00-48020-05	SCREW 4.8×20(dark green)	5
10	Q0F-09131-00-00	AIR CLEANER JOINT,1	1
11	Q0F-09176-00-00	CLAMPER	1
12	Q0F-09181-00-00	RUBBER turn	2
13	Q0F-09185-00-00	A tube	2