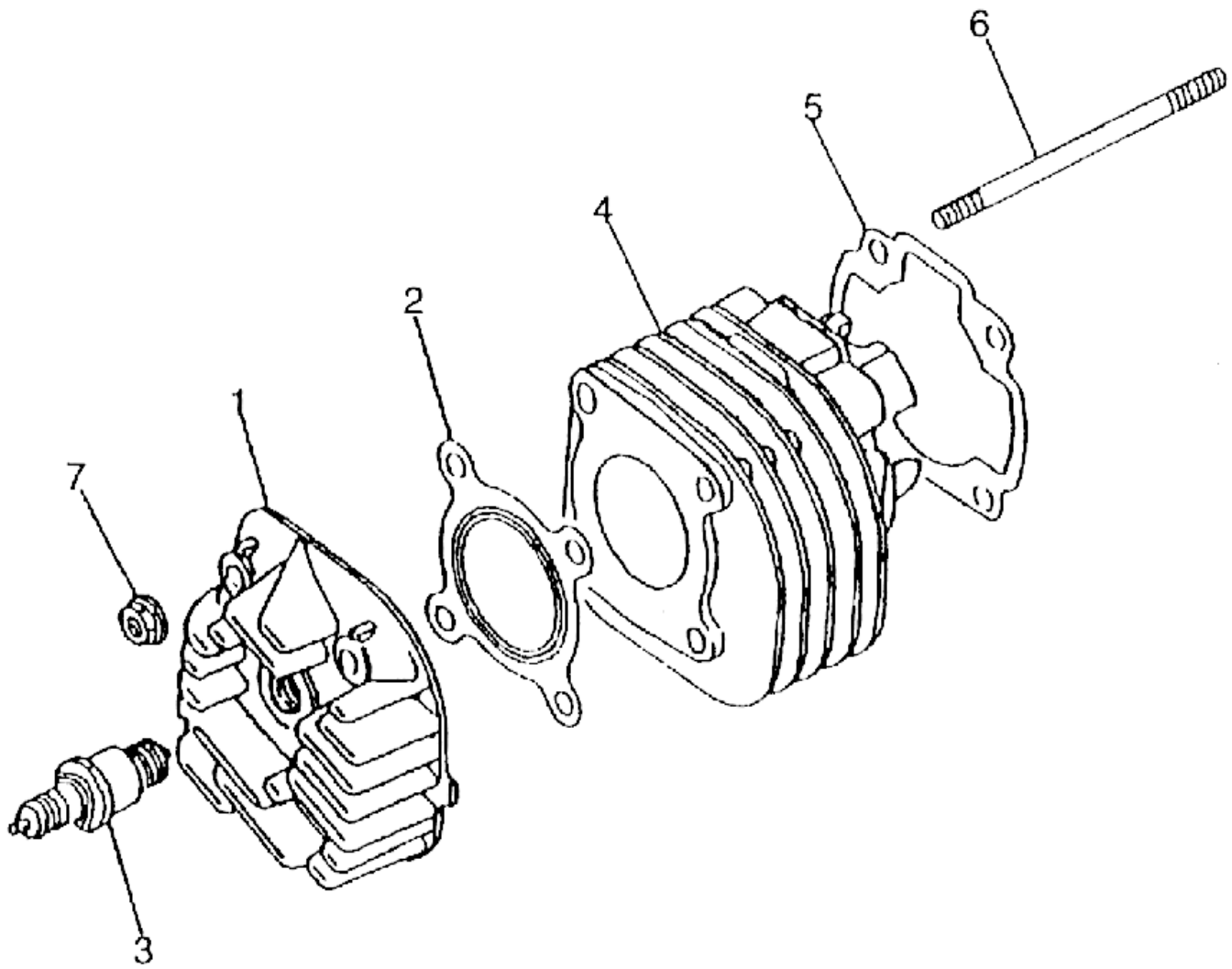


ENGINE
CPI
PARTS LIST

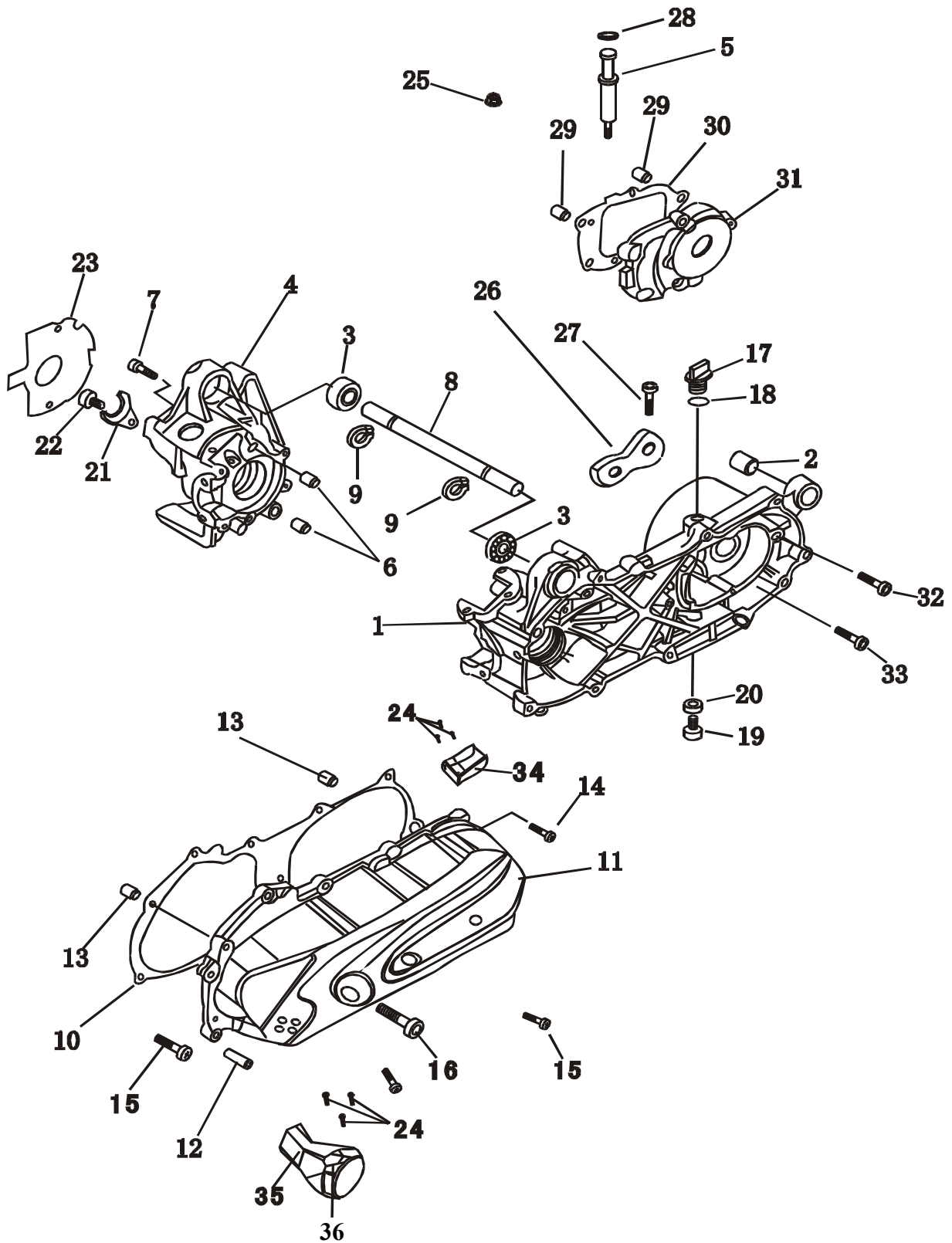
CPI MOTOR

E1 CYLINDER HEAD ASSY



E1 CYLINDER HEAD ASSY			
NO	CODE	DESCRIPTION	QTY
1	90A-02511-00-00	HEAD□CYLINDER	1
	90A-02511-10-00	HEAD□CYLINDER(New)	1
2	90A-08111-00-00	GASKET□CYLINDER HEAD	1
3	90A-23111-00-00	SPEAK PLUG(NGK-BR7ES)	
	90A-23111-10-00	SPEAK PLUG(NGK-BR4ES)	
	90A-23111-20-00	SPEAK PLUG(NGK-BR9ES)	
	90A-23111-30-00	SPEAK PLUG(NGK-BR10ES)	1
4	90A-02401-00-00	CYLINDER	1
	90A-02401-00-0A	CYLINDER A	
	90A-02401-00-0B	CYLINDER B	
	90A-02401-00-0C	CYLINDER C	
	90A-02401-01-00	ALNMINIUM CYLINDER	
	90A-02401-20-00	CYLINDER(NEW SUPPLIER)	
	90A-02401-20-0A	CYLINDER A(NEW SUPPLIER)	
	90A-02401-20-0B	CYLINDER B(NEW SUPPLIER)	
	90A-02401-20-0C	CYLINDER C(NEW SUPPLIER)	
5	90A-08216-00-00	GASKET□CYLINDER	1
6	90A-02422-00-0A	STUD BOLT	4
	90A-02422-10-0A	STUD BOLT□NEW□	
7	B04-07-07000-54	NUT M7	4

E2 CRANKCASE ASSY

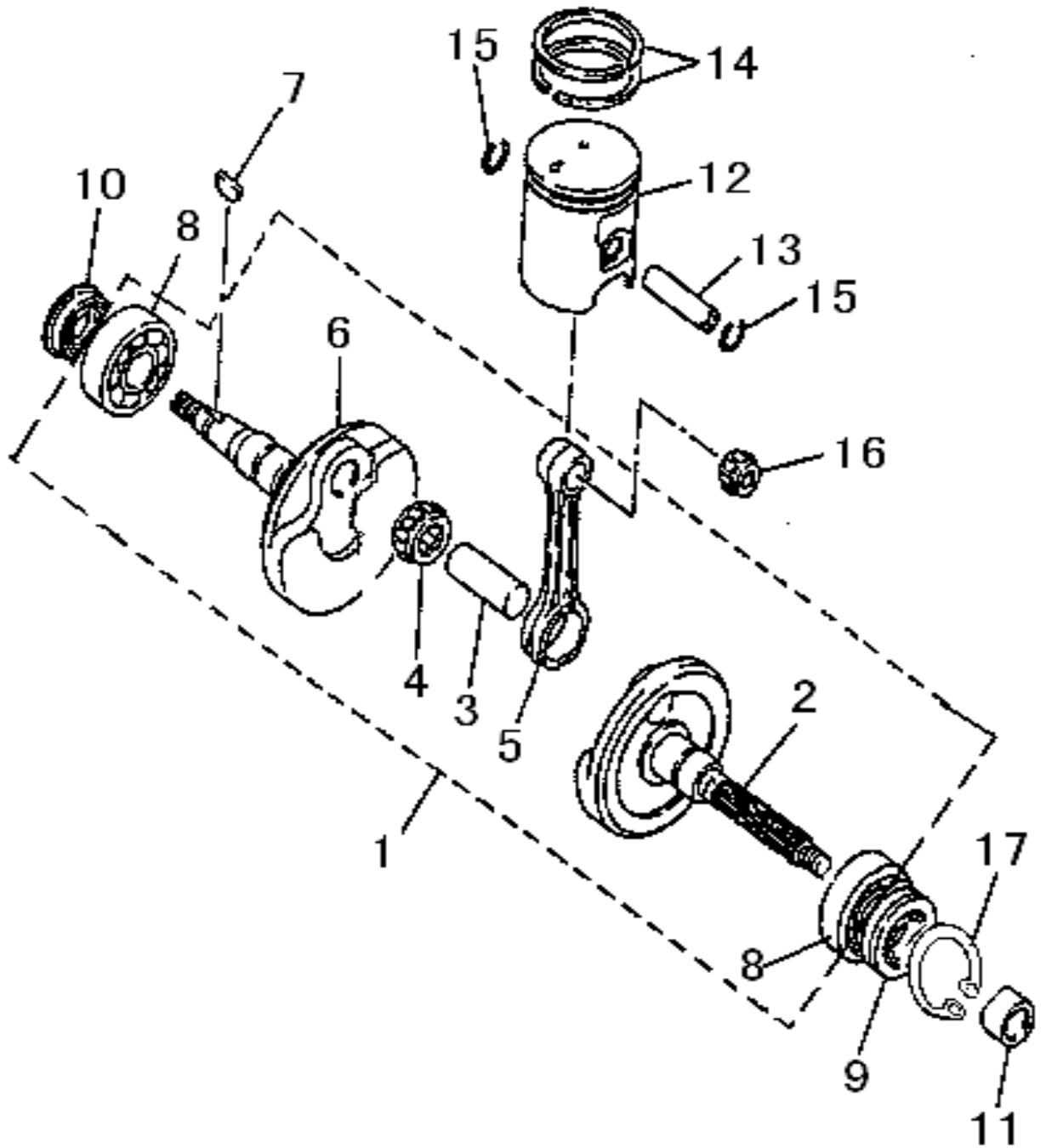


E2 CRANKCASE ASSY

NO	CODE	DESCRIPTION	QTY
1	90A-01201-00-00	CRANKCASE,LH	1
2	90A-01223-00-00	GROMMET	1
	90A-01223-10-00	GROMMT□21□	
3	90A-01276-00-00	BEARING 6003LU	2
4	90A-01101-00-00	CRANKCASE,RH	1
5	90A-01261-00-00	BRAKE SHOE ANCHOR PIN	1
6	90A-01271-00-00	DOWEL PIN 12×16	2
7	B01-07-06035-60	PAN HEAD SCREW M6×35	6
8	90A-01275-00-05	AXLE,engine mount	1
9	B08-01-00017-00	CIRCLIP 17	2
10	90A-08205-00-00	GASKET,L CRANKCASE	1
11	90A-01301-00-71	L CRANKCASE COVER□SILVER□	1
	90A-01301-10-71	L CRANKCASE COVER□NEW WHITE□	
	90A-01301-10-65	L CRANKCASE COVER□NEW BLACK□	1
	90A-01301-10-66	L CRANKCASE COVER□NEW BLACK□	
	90A-01301-10-95	L CRANKCASE COVER□NEW SLIVER□	
12	90A-17256-00-00	IDLE GEAR	1
13	90A-01273-00-00	DOWEL PIN 10×14	2
14	B01-07-06025-60	PAN HEAD SCREW M6×25	8
15	B01-07-06035-60	PAN HEAD SCREW M6×35	1
16	B01-07-06065-60	PAN HEAD SCREW M6×65	1
17	90A-01251-00-00	OIL PLUG	1
18	90A-01252-00-00	O RING	1
19	B01-07-08012-60	FLANGE BOLT M8×12	1
20	B07-03-00008-00	PLATE WASHER	1
21	90A-01161-00-00	OIL SEAL HOLDER	1
22	B01-07-06012-63	PAN HEAD SCREW M6×12	1
23	90A-08256-00-00	GASKET	1
24	B05-00-35014-00	SCREW ST3.5×14	6
25	B04-17-08000-53	NUT M8	1
26	90A-01282-00-00	BEARING HOLDER	1
27	B01-07-06012-63	PAN HEAD SCREW M6X12	1

28	90A-01262-00-00	O-RING	1
29	90A-01271-00-00	DOWEL PIN 12×16	2
30	90A-08203-00-00	MISSION CASE GASKET	1
31	90A-01501-00-00	MISSION CASE	1
32	B01-07-08055-60	SCREW M8×55	2
33	B01-07-08050-60	SCREW M8×50	5
34	90A-01362-00-00	AIR DUCT-OUTLET	1
35	90A-01361-00-00	AIR DUCT-INLET	1
36	90A-01103-00-00	FILTER ASSY	1

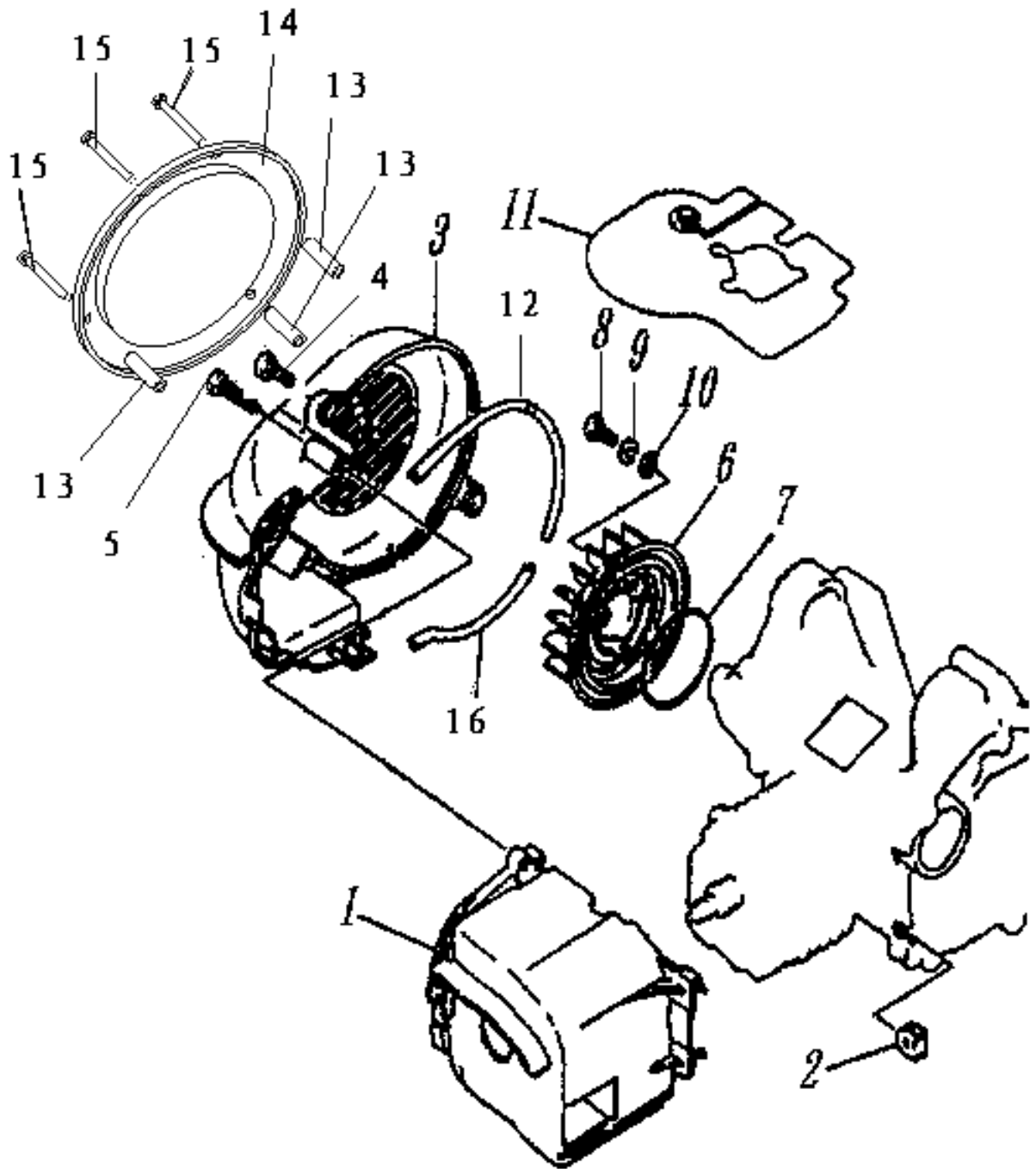
E3 PISTON CRANKSHAFT CONNECTING ROD ASSY



E3 PISTON CRANKSHAFT CONNECTING ROD ASSY			
NO	CODE	DESCRIPTION	QTY
1	90A-04110-00-00	CRANKCHAFT□ASSY	1
2	90A-04112-00-00	CRANKSHAFT□LH	1
3	90A-04131-00-00	CRANK PIN	1
4	90A-04115-00-00	NEEDLE BEARING	1
5	90A-04114-00-00	CONNECTING SHAFT	1
6	90A-04111-00-00	CRANKSHAFT□RH	1
7	90A-04151-00-00	WOODRUFF KEY 3×5×13	1
8	90A-04161-00-00	BEARING 6204	2
9	90A-01215-00-00	OIL SEAL 20×42×8	1
10	90A-01113-00-00	OIL SEAL ASSY 20×30×6	1
11	90A-22451-00-00	COLLAR	1
12	90A-02611-00-00	PISTON ASSY	1
	90A-02611-00-0A	PISTON ASSY A	
	90A-02611-00-0B	PISTON ASSY B	
	90A-02611-00-0C	PISTON ASSY C	
	90A-02611-01-00	PISTON ASSY□GTR□	1
13	90A-02631-00-00	PISTON PIN	1
14	90A-02620-00-00	PISTON RING ASSY	2
	90A-02620-01-00	PISTONRING ASSY□UNCOATED□	
15	90A-02632-00-00	CIRCLIP	2
16	90A-04116-00-00	NEEDLE BEARING	1
17	B08-00-00043-00	CIRCLIP 43	1

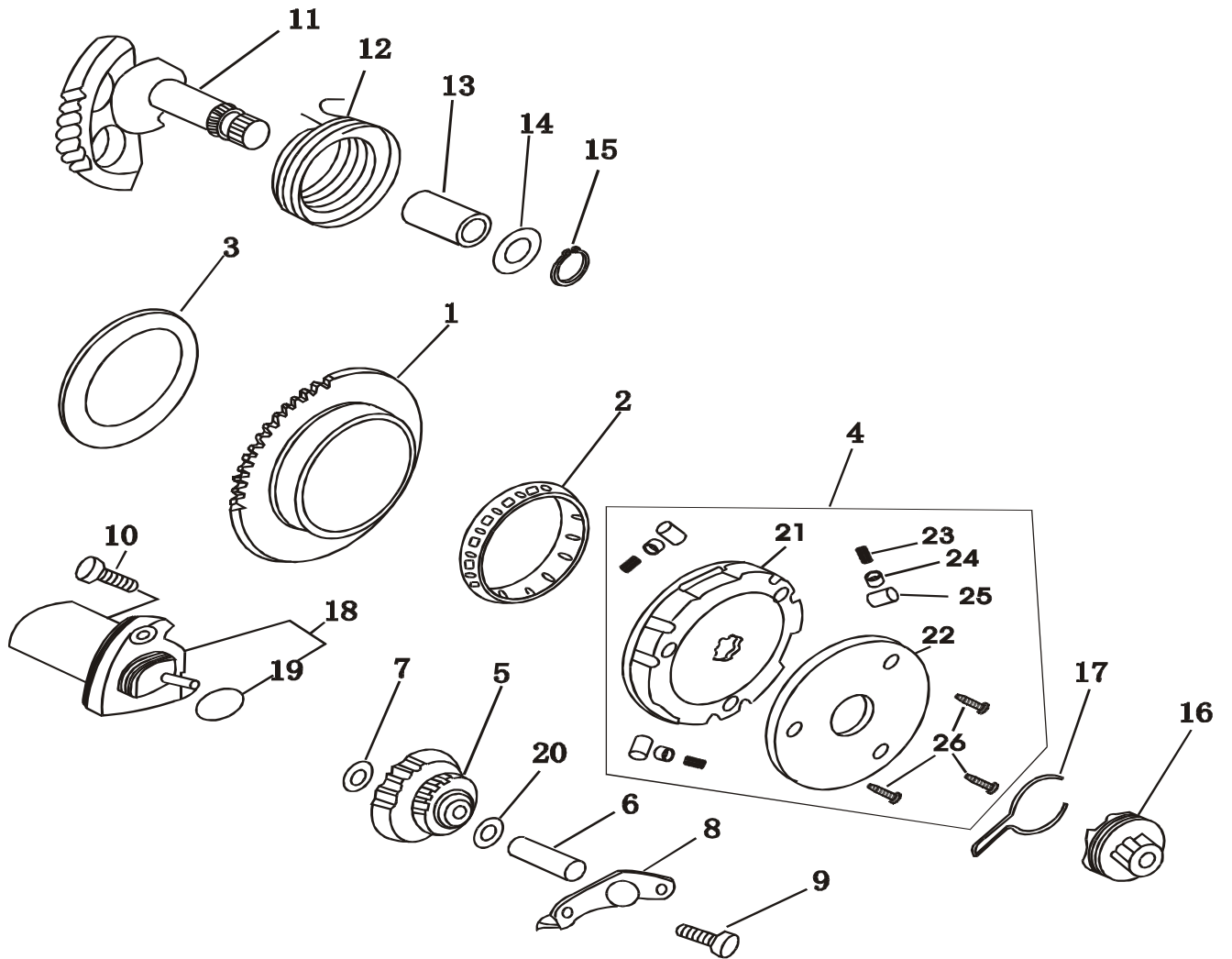
E4 OIL PUMP ASSY			
NO	CODE	DESCRIPTION	QTY
1	90A-05100-00-00	OIL PUMP ASSY	1
2	B02-00-04008-23	SCREW M4×8	1
3	90A-05151-00-00	WASHER 5	1
4	90A-05152-00-00	O-RING 19×1.8	1
5	90A-05141-00-00	GEAR	1
6	90A-05161-00-00	PIN 3×12	1
7	B08-05-00008-00	CIRCLIP 8	1
8	90A-05266-10-00	HOSE	1
	90A-05266-00-00	HOSE	
9	90A-05267-00-00	HOSE CLIP	2
10	90A-05265-00-00	HOSE	1
	90A-05265-01-00	HOSE	
11	90A-05268-00-00	HOSE CLIP	1
12	B08-02-00019-00	CIRCLIP 19	2
13	B02-00-05016-23	SCREW M5×16	2
14	90A-05270-00-00	PUMP DRIVE GEAR	1
15	90A-05272-00-00	PIN C3×14	1

E5 AIR COOLING SYSTEM



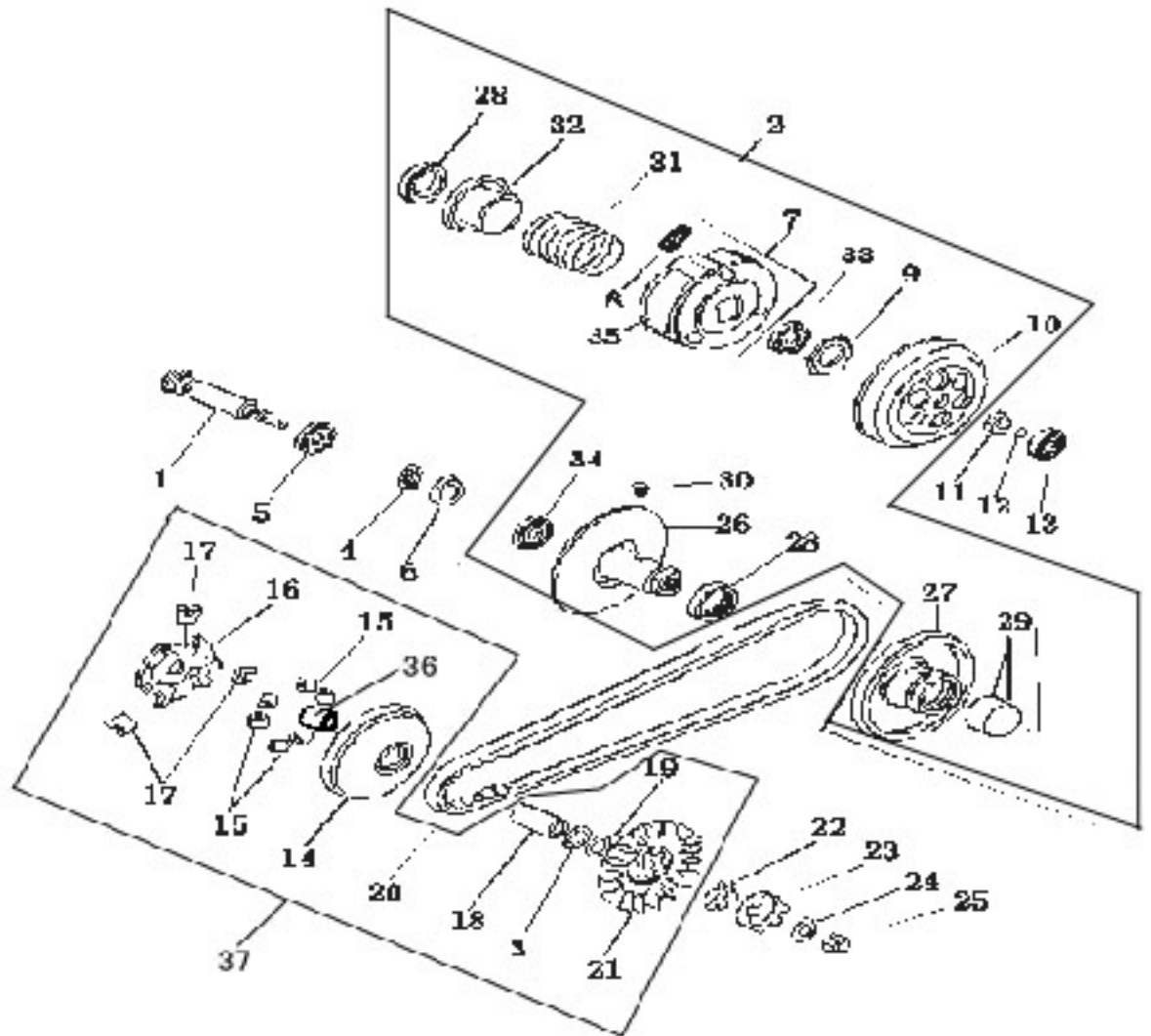
E5 AIR COOLING SYSTEM			
NO	CODE	DESCRIPTION	QTY
1	90A-07140-00-00	COWLING,cylinder	1
	90A-07140-01-00	COWLING,cylinder□NEW□	
2	90A-07118-00-00	GROMMET	2
3	90A-07110-00-00	COOLING,fan	1
	90A-07110-0100	COOLING,fan	
4	B01-07-06020-60	BOLT M6×20	2
5	B05-09-55040-00	SCREW ST5.5×40-F	1
	B05-09-55026-00	SCREW ST5.5×26-F	
6	90A-07161-00-00	FAN ASSY	1
7	90A-07163-00-00	RUBBER RING70×3.1	1
8	B02-00-06016-33	SCREW M6×16	3
9	B07-00-00006-03	WASHERΦ6	3
10	B07-01-00006-03	WASHERΦ6	3
11	90A-07151-00-00	PLATE	1
12	90A-07170-00-00	MOLD,cowling	1
13	90A-07119-00-00	COLLAR	3
14	90A-07112-00-00	COVER	1
	90A-07112-10-00	COVER□NEW□	
15	B02-02-04032-20	SCREW M4×32	3
16	90A-07171-00-00	MOLD,cowling	1

E6 KICK STARTER ASSY



E6 KICK STARTER ASSY			
NO	CODE	DESCRIPTION	QTY
1	90A-17231-00-00	START GEAR ASSY	1
2	90A-17232-00-00	NEEDLE BEARING	1
3	90A-17234-00-00	THRUST WASHER	1
4	90A-22420-00-00	START CLUTCH ASSY	1
5	90A-22361-00-00	IDLE GEAR	1
6	90A-22362-00-00	IDLE GEAR SHAFT	1
7	90A-22363-00-00	PLATE WASHER 8×16×2.5	1
8	90A-22364-00-00	IDLE GEAR HOLDER	1
9	B01-07-06010-63	SCREW M6×10	2
10	B02-05-06020-00	SCREW M6×20	2
11	90A-22514-00-05	SHAFT, kick starter□silver□	1
	90A-22514-10-05	SHAFT, kick starter	1
	90A-22514-10-08	SHAFT, kick starter (black)	1
12	90A-22515-00-00	SPRING	1
13	90A-22516-00-00	BUSH	1
14	90A-22517-00-00	WASHER ,kick starter	1
15	B08-01-00015-00	CIRCLIP 15	1
16	90A-22518-00-00	KICK PINION ASSY	1
17	90A-22519-00-00	CLIP	1
18	90A-22522-00-00	STARTING MOTOR ASSY	1
19	90A-22523-00-00	O-RING 21.2×2.65	1
20	90A-22524-00-00	PLATE WASHER 8×16×1	1
21	90A-22426-00-00	COVER	1
22	90A-22427-00-00	PLASTIC RING	1
23	90A-22428-00-00	SPRING	3
24	90A-22429-00-00	CAP	3
25	90A-22413-00-00	ROLLER	3
26	B05-09-48011-00	TAPPING SCREW ST4.8×11	3

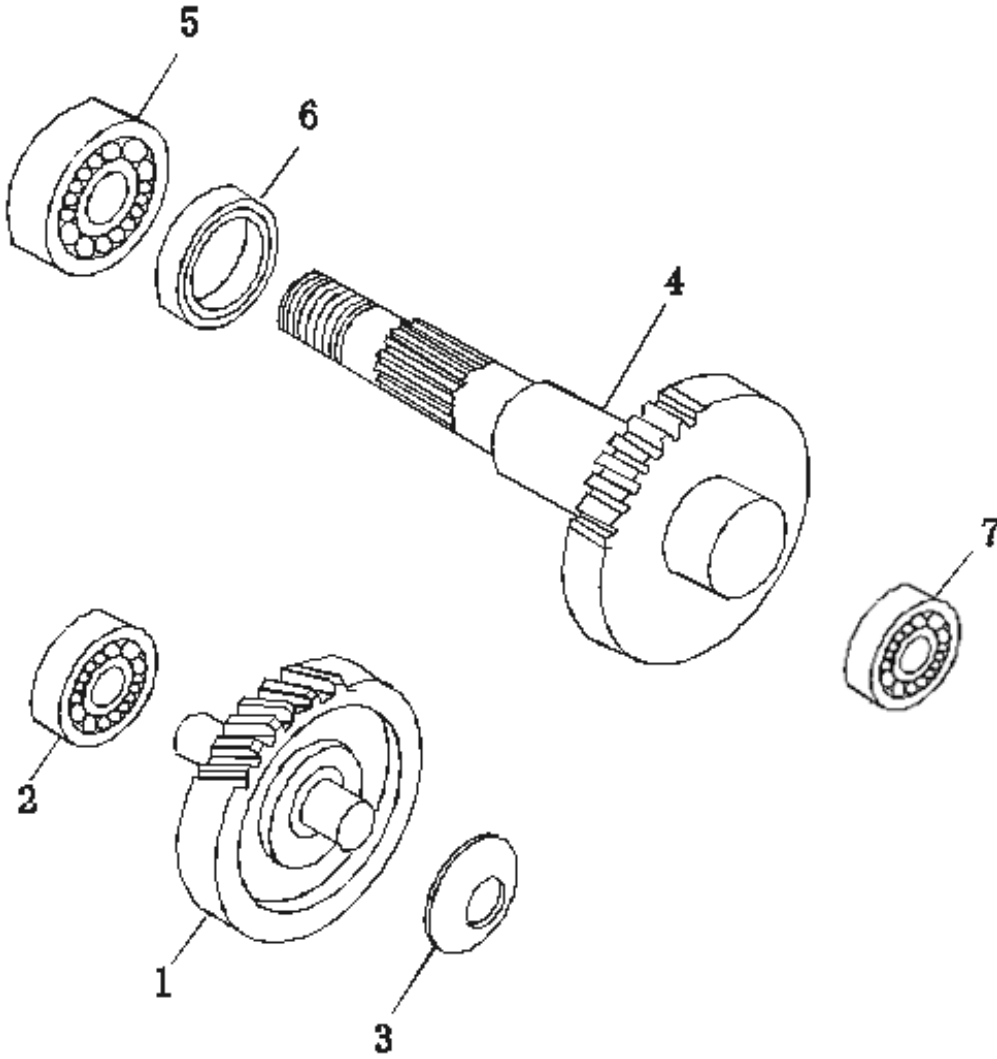
E7 CLUTCH ASSY



E7 CLUTCH ASSY			
NO	CODE	DESCRIPTION	QTY
1	90A-15111-00-00	PRIMARY DRIVE GEAR	1
	90A-15111-10-00	PRIMARY DRIVE GEAR	
	90A-15111-20-00	PRIMARY DRIVE GEAR	
2	90A-11100-00-00	DRIVEN PULLY and CLUTCH ASSY	1
	90A-11100-10-00	DRIVEN PULLY and CLUTCH ASSY□NEW□	
	90A-11100-20-00	DRIVEN PULLY and CLUTCH ASSY□NEW□	
3	90A-12122-00-00	WASHER 25km/h	1
	90A-12122-01-00	WASHER 25km/h□NEW□	
	90A-12122-10-00	WASHER 30km/h	
	90A-12122-11-00	WASHER 30km/h□NEW□	
	90A-12122-20-00	WASHER 45km/h	
	90A-12122-21-00	WASHER 45km/h□NEW□	
	90A-12122-30-00	WASHER 25km/h	
	90A-12122-40-00	WASHER 30km/h	
	90A-12122-50-00	WASHER 45km/h	
4	B08-01-00017-00	CIRCLIP 17	1
5	90A-15112-00-00	ROLING BEARING 6203	1
6	90A-15113-00-00	OIL SEAL 17X35X7	1
7	90A-11110-00-00	CLUTCH ASSY,shoe	1
8	90A-11111-00-00	SPRING	3
	90A-11111-10-00	SPRING(NEW)	
	90A-11111-20-00	SPRING (2000rpm)	
9	90A-11112-00-01	NUT M28×1	1
10	90A-11113-00-00	HOUSING	1
11	B04-04-10001-50	NUT M10×1	1
12	90A-15114-00-00	O-RING 6.7×3	1
13	90A-15115-00-00	BEARING 638Z	1
14	90A-12111-00-00	FACE,movable drive	1

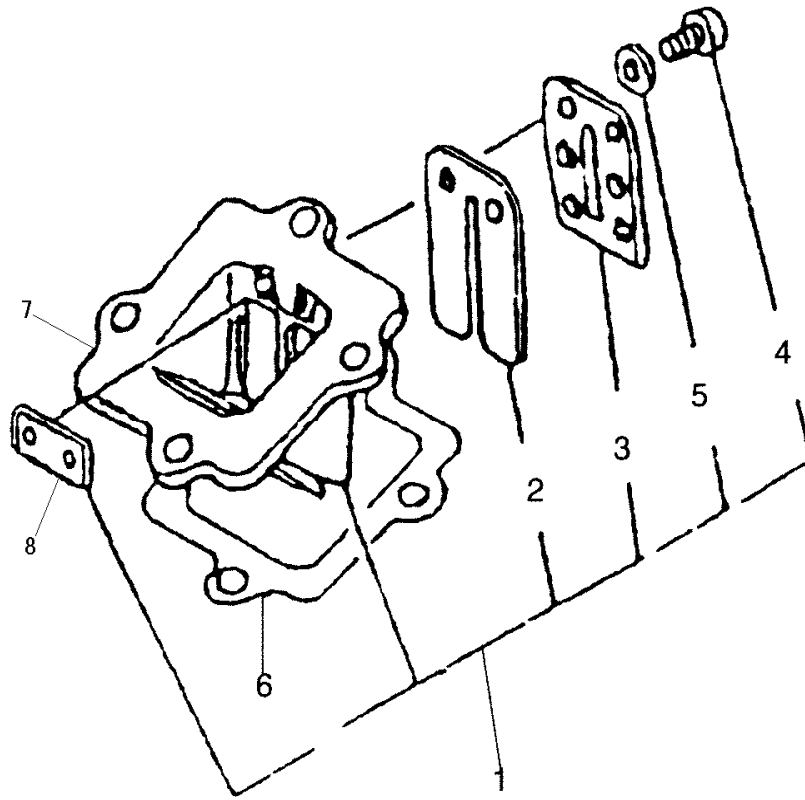
15	90A-12121-00-00	ROLLER6.3g	
	90A-12121-10-00	ROLLER5.8g	6
	90A-12121-20-00	ROLLER5.3g	
	90A-12121-30-00	ROLLER3.9g	
	90A-12121-40-00	ROLLER3.6g	
16	90A-12131-00-00	PLATE,movable drive	1
17	90A-12141-00-00	SLIDE PIECE	3
	90A-12141-10-00	SLIDE PIECE (TW)	3
18	90A-12112-00-00	COLLAR	1
19	90A-12113-00-00	WASHER	1
20	90A-12211-00-00	V BELT□DRIVE	1
NO	CODE	DESCRIPTION	QTY
21	90A-12114-00-00	FACE□FIXED DRIVE	1
22	90A-12115-00-00	PLATE□WOODRUFF KEY	1
23	90A-12116-00-00	STARTING DISC	1
24	90A-12117-00-00	WASHER□SPRING	1
25	B04-01-12125-53	NUT M12×1.25	1
26	90A-11114-00-00	FACE□FIXED DRIVEN	1
27	90A-11115-00-00	FACE□MOVABLE DRIVEN	1
28	90A-11116-00-00	OIL SEAL 33×39×4	1
29	90A-11117-00-00	O-RING 1.7×38.7	2
30	90A-11118-00-00	PIN□GUIDE	1
31	90A-11119-00-00	SPRING	1
	90A-11119-10-00	SPRING	
	90A-11119-20-00	SPRING (2000rpm)	
32	90A-11151-00-00	SEAT□SPRING	1
33	90A-11152-00-00	ROLLER BEARING	1
34	90A-11153-00-00	NEEDLE BEARING	1
35	90A-11154-00-00	SHOE	3
36	90A-12118-00-00	CLUTCH COPPER BUSH	1
37	90A-12100-00-00	FACE□MOVABLE DRIVEN	1
	90A-12100-10-00	FACE□MOVABLE DRIVEN□NEW□	

E8 TRANSMISSION SYSTEM ASSY



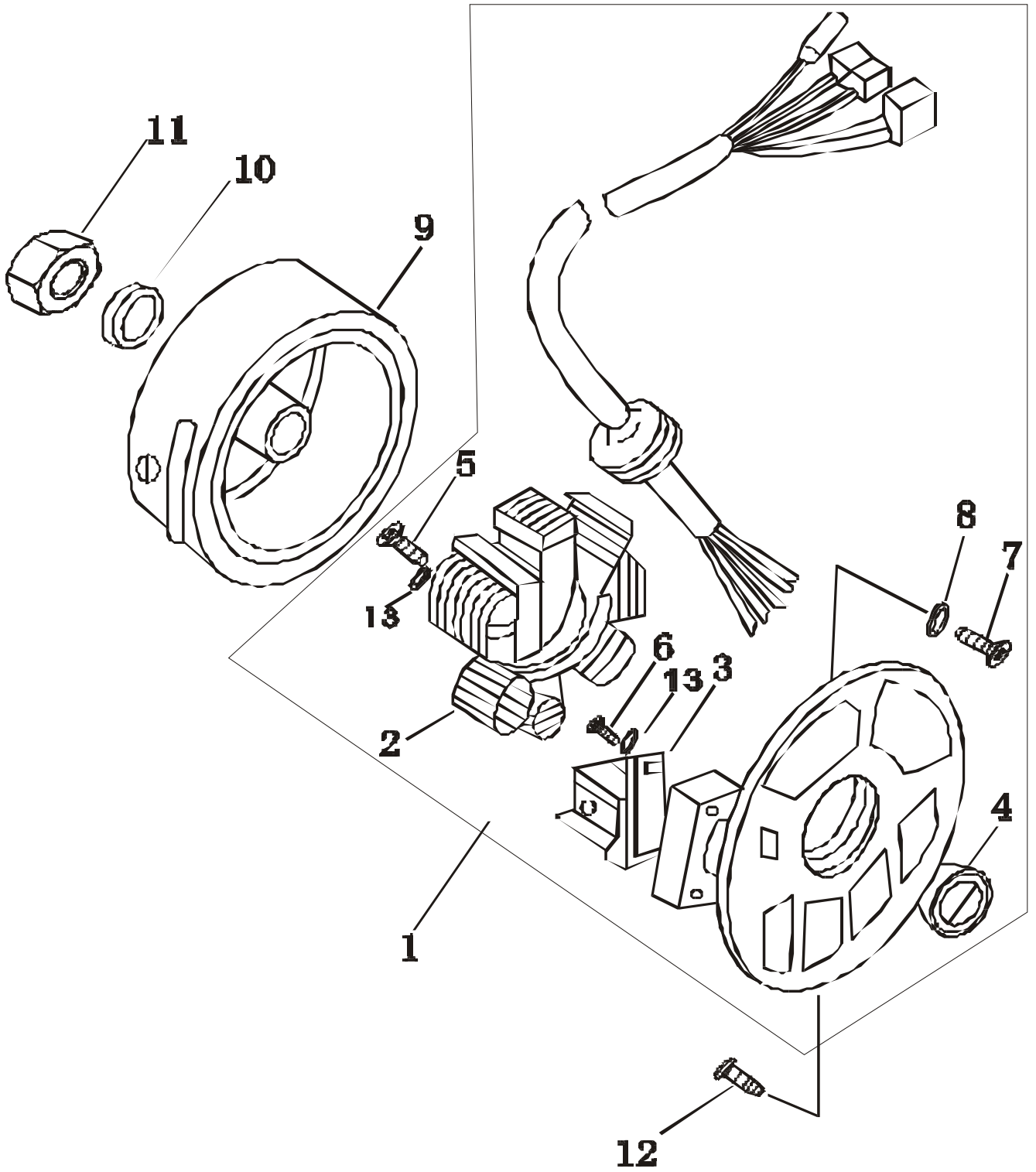
E8 TRANSMISSION SYSTEM ASSY			
NO	CODE	DESCRIPTION	QTY
1	90A-16110-00-00	SHAFT□IDLE	1
	90A-16110-10-00	SHAFT□IDLE	
2	90A-16114-00-00	BEARING 6200	1
3	90A-16115-00-00	WASHER□thrust	1
4	90A-16170-00-00	SHAFT□REAR BOX	1
	90A-16170-10-00	SHAFT□REAR BOX	
5	90A-16173-00-00	NEEDLE BEARING 6004LUA	1
6	90A-16174-00-00	OIL SEAL 25×44×7	1
7	90A-16175-00-00	NEEDLE BEARING6202	1

E9 REED VALVE ASSY



E9 REED VALVE ASSY			
NO	CODE	DESCRIPTION	QTY
1	90A-03200-00-00	REED VALVE ASSY	1
2	90A-03202-00-00	REED VALVE	2
3	90A-03203-00-00	REED VALVE STOPPER	2
4	B02-00-03008-60	SCREW M3×8	4
5	B07-00-00003-60	WASHER	4
6	90A-03204-00-00	VALVE SEAT GASKET	1
7	90A-03205-00-00	VALVE SEAT	1
8	90A-03206-00-00	REED VALVE GASKET	2

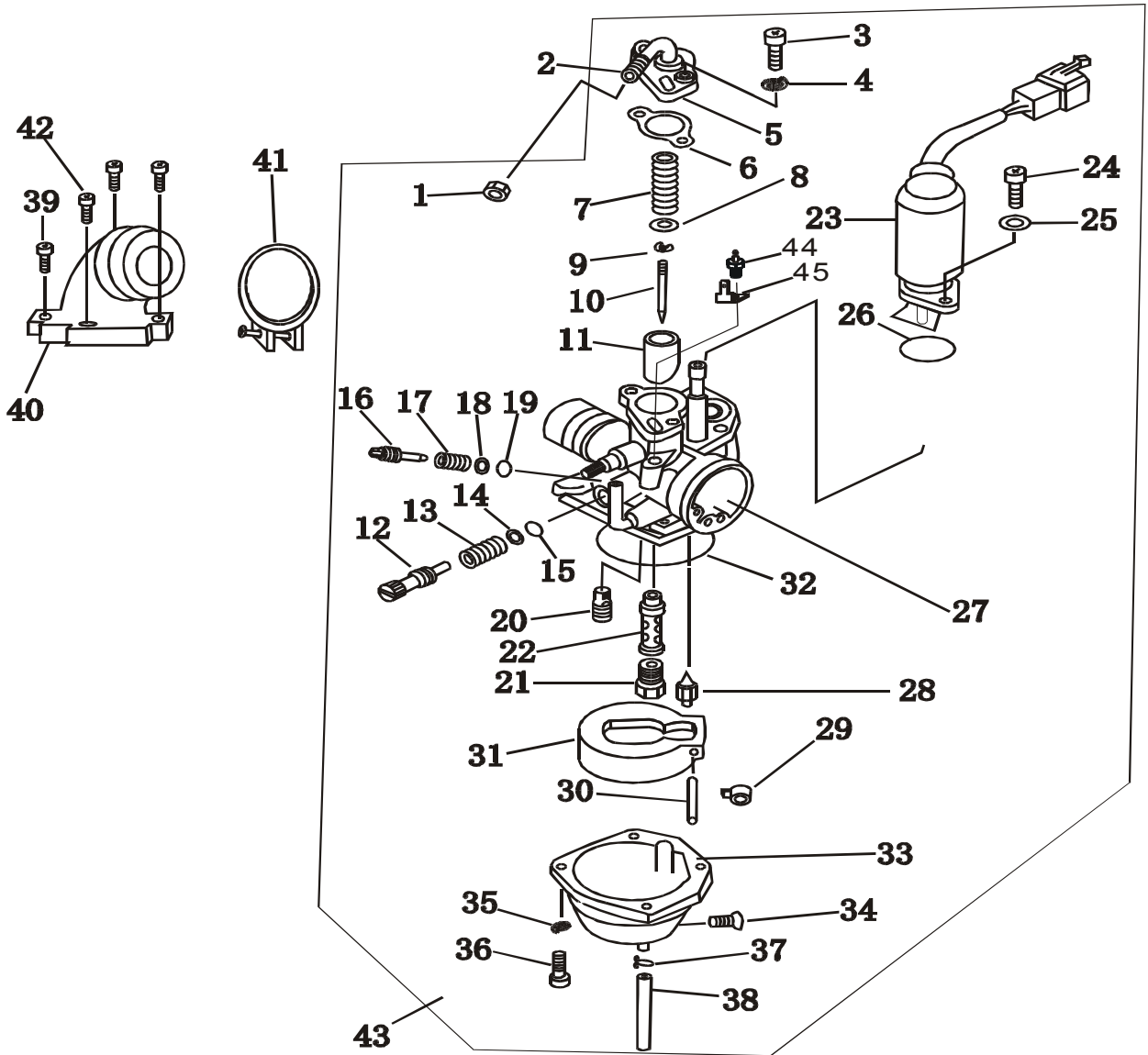
E10 MAGNETO ASSY



E10 MAGNETO ASSY

NO	CODE	DESCRIPTION	QTY
1	90A-21101-00-00	STATOR ASSY	1
2	90A-21121-00-00	COIL GROUP	
3	90A-21136-00-00	PULSE TRIGGER	
4	90A-21134-00-00	OIL SEAT	1
5	B02-00-05025-03	SCREW M5×25	
6	B02-00-05012-03	SCREW M5×12	
7	B02-00-04006-03	SCREW M4×6	
8	B07-00-00004-03	WASHER	
9	90A-21111-00-00	ROTOR ASSY	1
10	B07-03-00013-03	WASHER13×23.5×2.5	1
11	B04-07-12125-53	NUT M12×1.25	1
12	B13-04-06016-03	SCREW M6×16	
13	B07-00-00005-03	WASHERΦ5	

E11 CARBURETOR ASSY



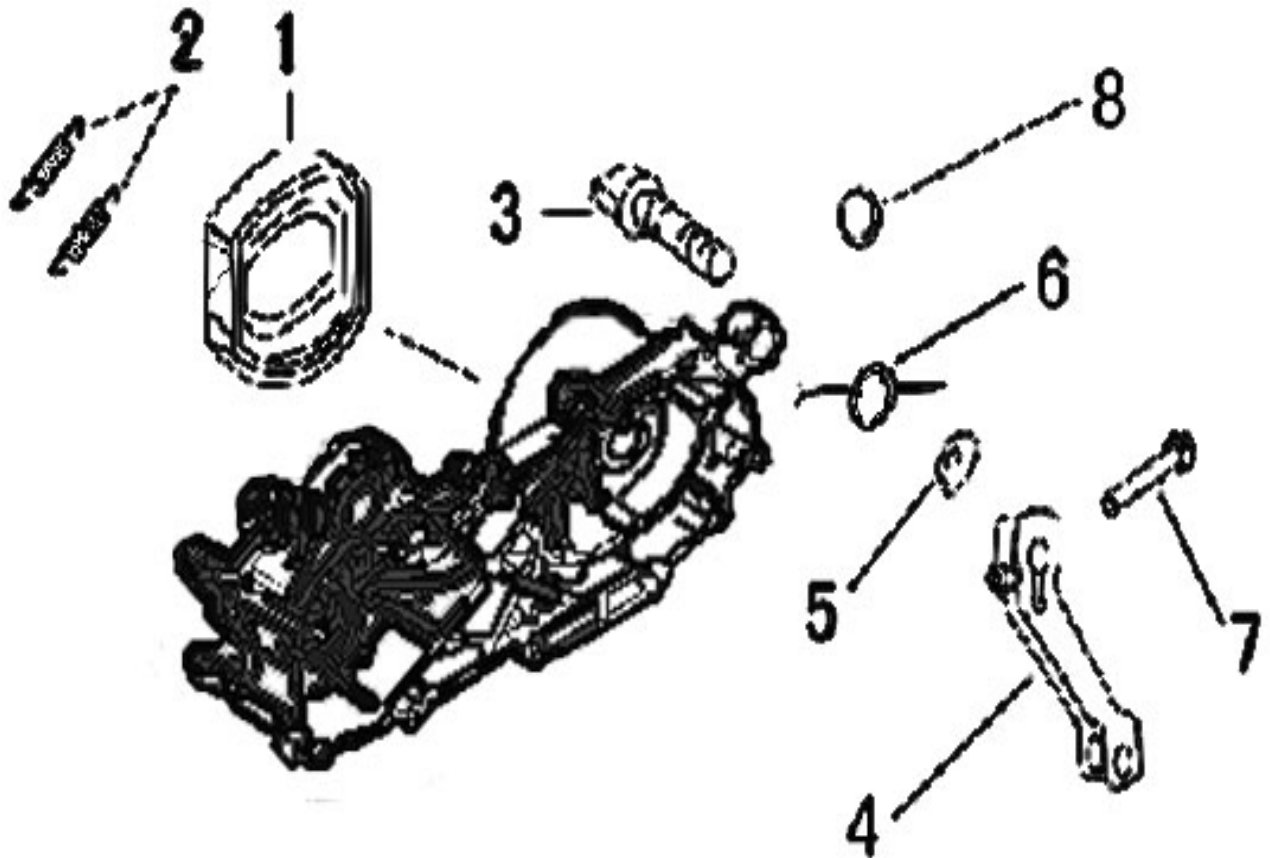
E11 CARBURETOR ASSY

NO	CODE	DESCRIPTION	QTY
1	90A-09452-00-00	FIX SCREW	1
2	90A-09451-00-00	INSTRAINT PIPE	1
3	B02-00-04012-00	SCREW	2
4	B07-00-00004-00	WASHER	2
5	90A-09453-00-00	CAP	1
6	90A-09454-00-00	GASKET	1
7	90A-09456-00-00	SPRING □return	1
8	90A-09457-00-00	CLIPMM,V shape	1
9	90A-09458-00-00	CLIP	1
10	90A-09459-00-00	NEEDLE, jet3D01	1
	90A-09459-10-00	NEEDLE, jet3N17	
11	90A-09455-00-00	VALVE, PISTON 3.0×32	1
	90A-09455-10-00	VALVE, PISTON 3.0×28	
	90A-09455-20-00	VALVE, PISTON3.5×28	
12	90A-09461-00-00	SCREW, idle speed	1
13	90A-09462-00-00	SPRING, speed screw	1
14	90A-09463-00-00	WASHER, speed screw	1
15	90A-09464-00-00	O RING, speed screw	1
16	90A-09465-00-00	SCREW, air	1
17	90A-09466-00-00	SPRING, air screw	1
18	90A-09467-00-00	WASHER, air screw	1
19	90A-09468-00-00	O RING, air screw	1
20	90A-09469-00-00	JET, idle15	1
	90A-09469-10-00	JET, idle17.5	
21	90A-09479-00-00	JET, main(45)	1
		JET, main(47.5)	
	90A-09479-10-00	JET, main(57.5)	
	90A-09479-20-00	JET, main(52.5)	
	90A-09479-30-00	JET, main(52.5)	

	90A-09479-40-00	JET, main(50)	1
22	90A-09489-00-00	JET, needle426E-1	
	90A-09489-10-00	JET, needle426D8	
	90A-09489-20-00	JET, needle426D9	
23	90A-09499-00-00	JOKER VALVE	1
24	90A-09498-00-00	SCREW	1
25	B07-00-00004-00	WASHER	2
26	90A-09497-00-00	O RING	1
27	90A-09471-00-00	BODY, carburetor	1
28	90A-09472-00-00	VALVE, needle	1
29	90A-09473-00-00	HOOK	1
30	90A-09481-00-00	PIN, float	1
31	90A-09482-00-00	FLOAT	1
32	90A-09475-00-00	GASKET	1
33	90A-09474-00-00	CHAMBER, float	1
34	90A-09476-00-00	SCREW	1
35	B07-00-00004-00	WADHER	1
36	90A-09477-00-00	SCREW	1
37	90A-09488-00-00	CLIP	1
38	90A-09478-00-00	HOSE, drain	1
39	B02-05-06020-00	SCREW M6×20	3
40	90A-09491-00-00	PIPE, intake	1
41	90A-09492-00-00	CLIP	1
42	90A-09412-00-00	SCREW	1
43	90A-09450-00-00	CARBURETOR ASSY	1
	90A-09450-01-00	CARBURETOR ASSY	
	90A-09450-02-00	CARBURETOR ASSY	
	90A-09450-10-00	CARBURETOR ASSY	
	90A-09450-12-00	CARBURETOR ASSY	
	90A-09450-20-00	CARBURETOR ASSY	
	90A-09450-21-00	CARBURETOR ASSY	

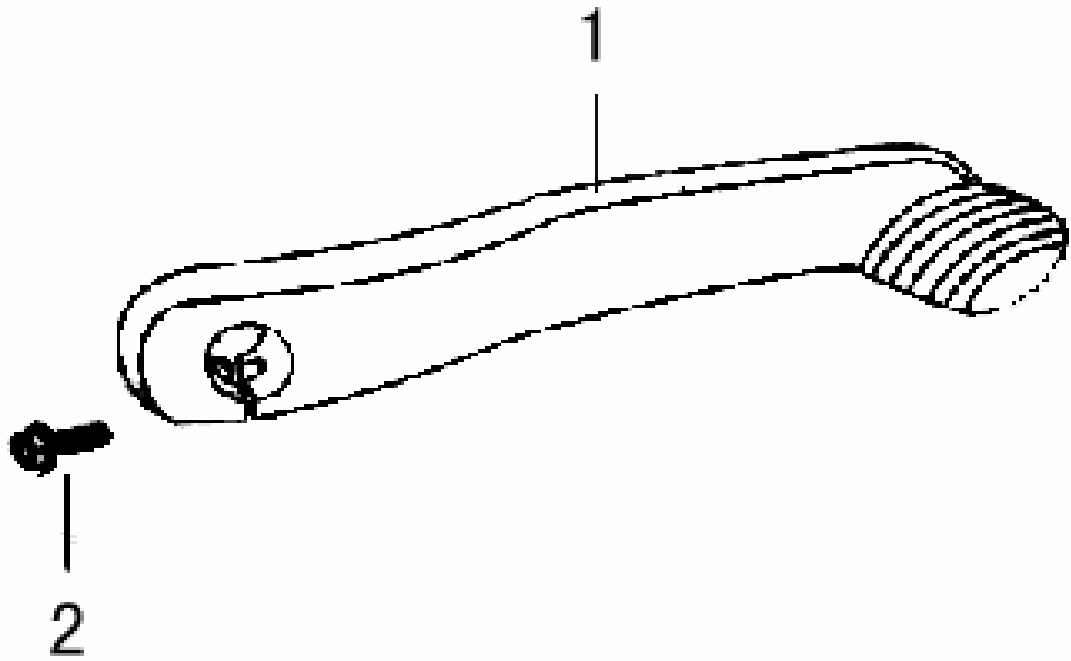
	90A-09450-20-00	CARBURETOR ASSY	
	90A-09450-30-00	CARBURETOR ASSY	
	90A-09450-31-00	CARBURETOR ASSY	
	90A-09450-32-00	CARBURETOR ASSY	
	90A-09450-40-00	CARBURETOR ASSY	
44	90A-09494-00-00	HEATER RELAY	
45	90A-09495-00-00	L WASHER	1

E12 BRAKE SHOE KIT



E12 BRAKE SHOE KIT			
NO	CODE	DESCRIPTION	QTY
1	90A-46420-00-00	BRAKESHOEKIT	2
	90A-46420-10-00	BRAKESHOEKIT(new supplier)	
2	90A-46461-00-00	SPRING	2
3	90A-46621-00-05	CAM SHAFT	1
	90A-46621-10-05	CAM SHAFT□lengthen□	
	90A-46621-20-05	CAM SHAFT□new□	
4	90A-46451-00-04	CAM SHAFT LEVER,2	1
5	90A-46615-00-00	INDICATOR PLATE	1
6	90A-46635-00-08	INDICATOR PLATE	1
7	B01-09-06030-64	HEX.BOLTM6×30	1
8	90A-46445-00-00	DUST SEAL10×1.6	1
	90A-46445-10-00	DUST SEAL9×1.5	1

E13 KICK STARTER



E13 KICK STARTER

NO	CODE	DESCRIPTION	QTY
1	90A-17100-00-71	STARTING SHAFT□SILVER□	1
	90A-17100-10-71	STARTING SHAFT□NEW □WHITE□	
	90A-17100-10-65	STARTING SHAFT□NEW□BLACK□	1
2	B01-13-06025-60	SCREW M6×25	1
	B01-13-06020-60	SCREW M6×20	1