

FRAME
CPI
PARTS LIST

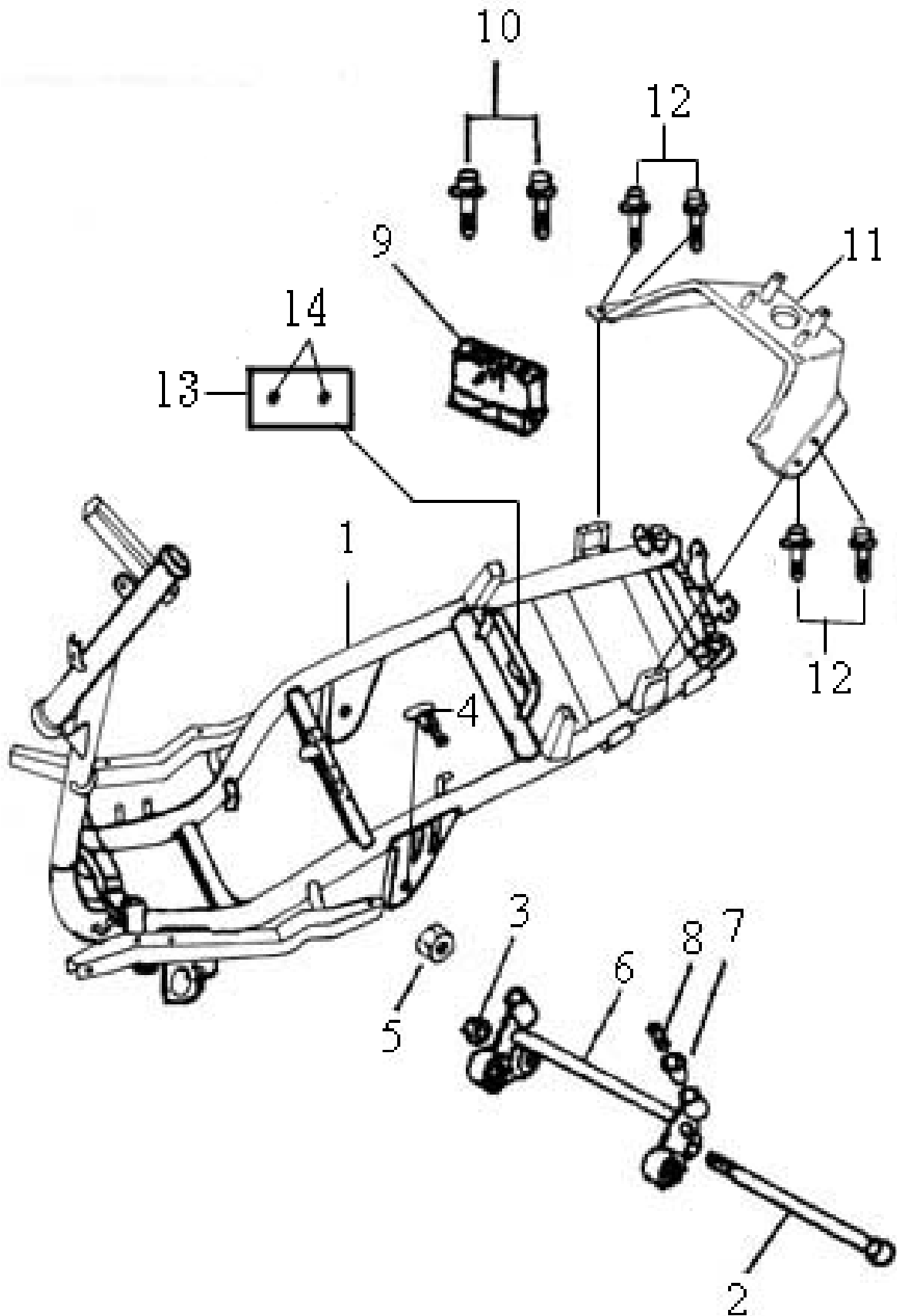
T31-40000-BO-LE

900510

F1

FRAME BODY

50CC



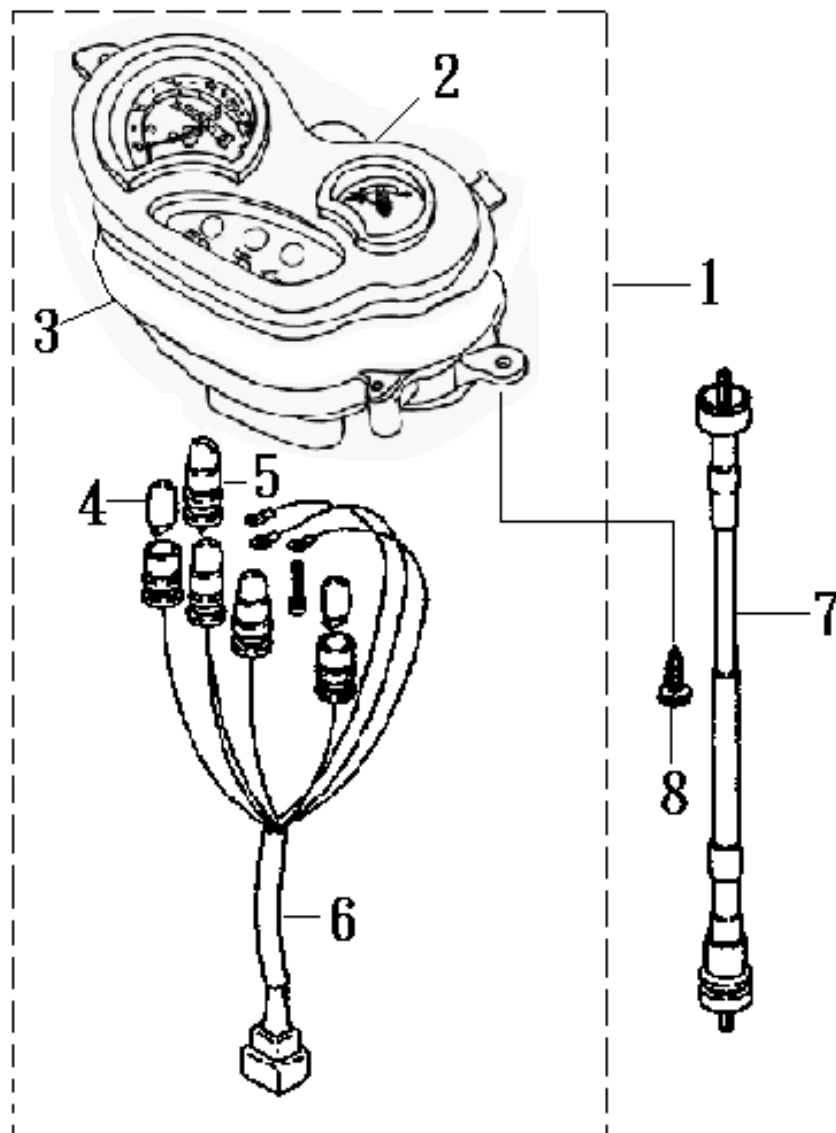
F1**FRAME BODY**

ITEM	PARTS NO.	DESCRIPTION	REQD. NO.	
			50CC	
1	B08-41110-00-00	FRAME COMP.	1	
2	B05-42181-00-00	E/G MOUNTING BOLT,1	1	
3	S-4061-12000-03	FLANGE U NUT 12MM	1	
4	B01-42191-00-00	E/G MOUNTING BOLT,2	2	
5	S-4061-10000-03	FLANGE U NUT 10MM.	2	
6	B08-48610-00-00	E/G BRKT. COMP.	1	
7	B01-48665-00-00	DAMPER	2	
8	B01-48675-00-00	SPRING	2	
9	B05-56540-00-00	SEAT CATCH COMP.	1	
10	S-5800-06016-04	FLANGE BOLT 6X16	2	
11	B08-42131-10-00	CARRIER BARCKET.	1	
12	S-5800-06012-04	FLANGE BOLT 6X12.	4	
13	B08-42115-00-00	FRAME BODY NO. PLATE	1	
14	T17-42117-00-00	BLIND RIVETS 3.24X6.4	2	

F2

METER

50CC



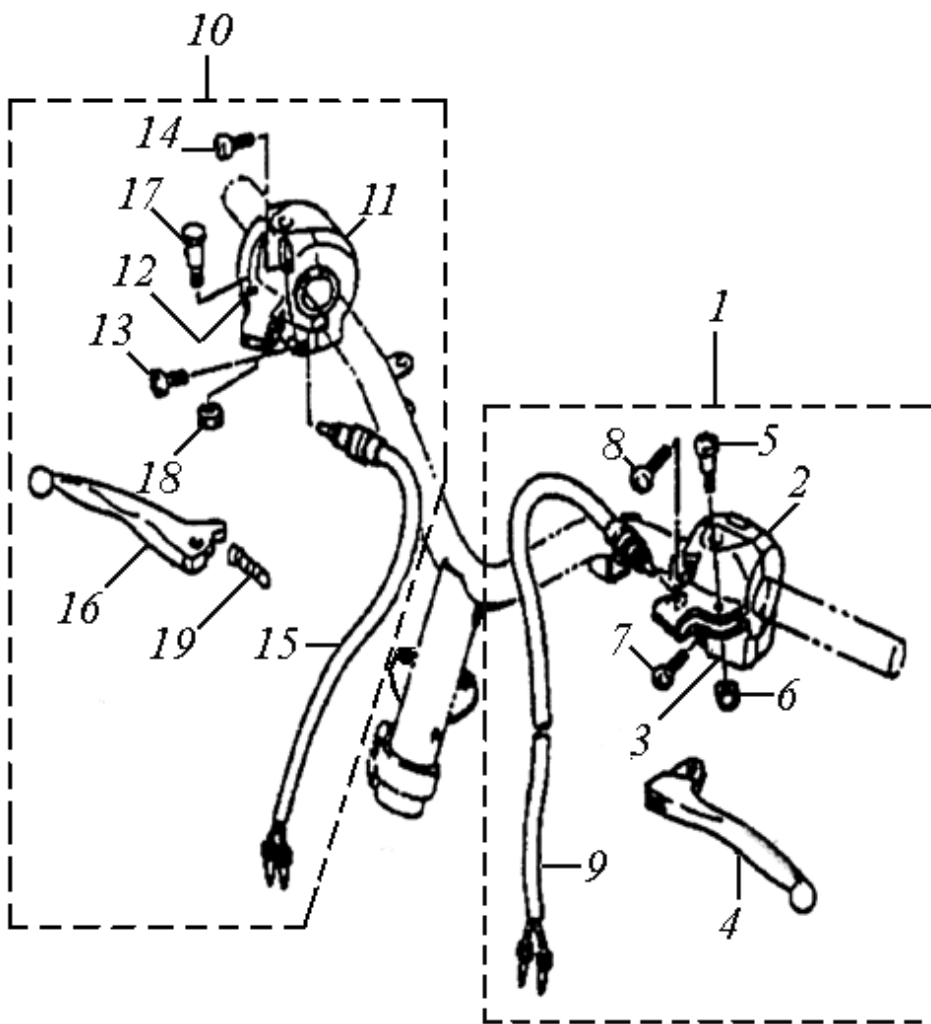
F2**METER**

ITEM	PARTS NO.	DESCRIPTION	REQD. NO.	
			50CC	
1	F08-24110-00-00	SPEEDOMETER ASSY.	1	
2	F08-24111-00-00	SPEEDOMETER BASE		
3	F08-24112-00-00	GLASS PLATE	1	
4	B05-24185-00-00	BULB 12V-3.4W	1	
5	B05-24186-00-00	BULB 12V-1.7W	4	
6	B08-24160-00-00	SOCKET CORD ASSY.	1	
7	B05-58510-00-00	SPEEDOMETER CABLE ASSY.	1	
8	S-3900-04012-04	TAPPING SCREW 4X12	3	

F3

LEVER HANDLE SWITCH

50CC



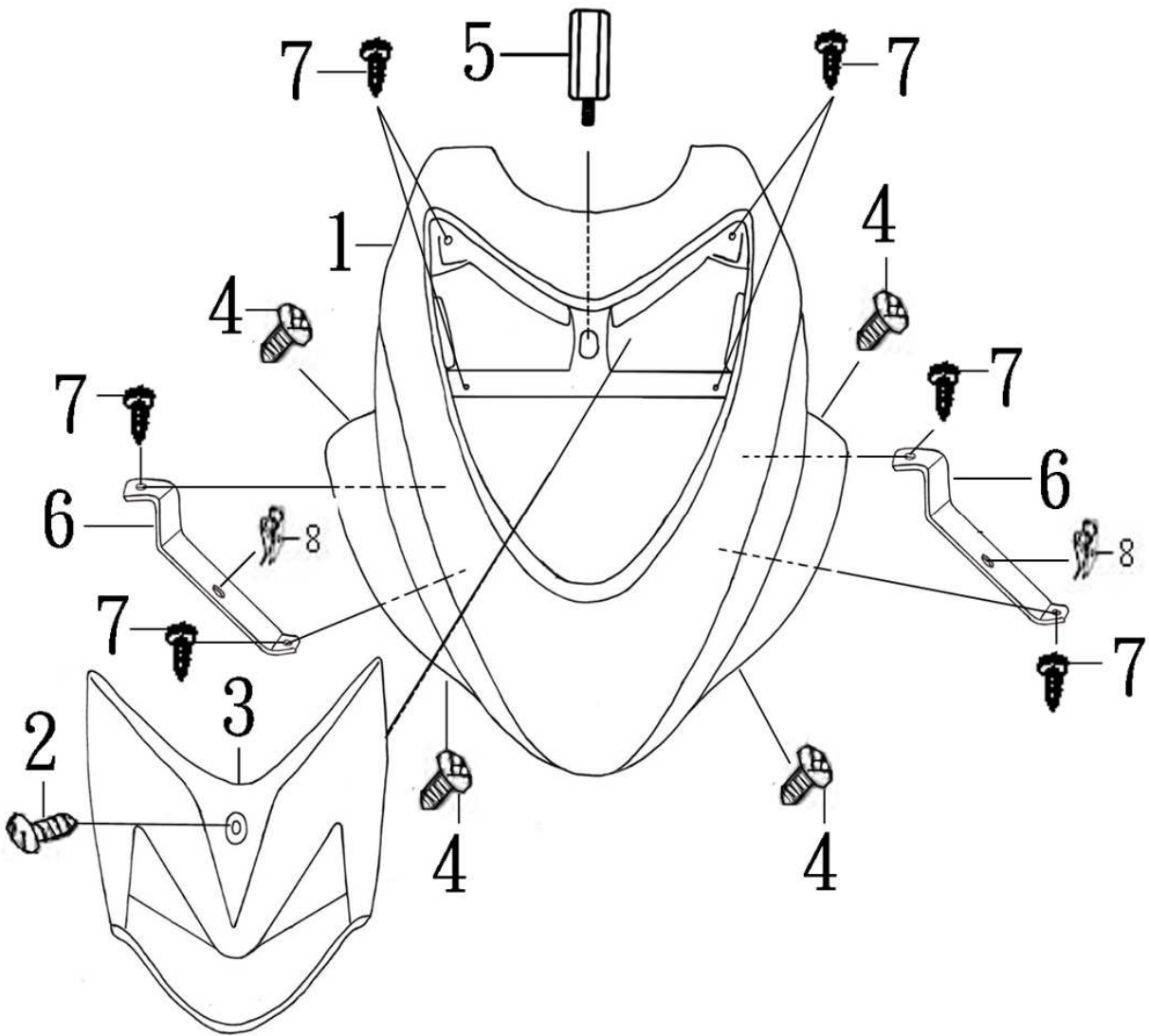
F3**LEVER / HANDLE SWITCH**

ITEM	PARTS NO.	DESCRIPTION	REQD. NO.	
			50CC	
1	B05-27700-00-00	LEFT HANDLE SWITCH ASSY.	1	
2	B05-27710-00-00	LEFT HANDLE SWITCH,1	1	
3	B01-27730-00-00	LEFT HANDLE SWITCH,2	1	
4	B05-62253-00-00	LEFT LEVER	1	
5	B01-27766-00-00	SCREW 5MM	1	
6	S-4002-05000-02	U NUT 5MM	1	
7	S-3500-05025-02	PAN HEAD SCREW 5X25	1	
8	S-3501-05035-02	PAN HEAD SCREW 5X35	1	
9	B01-27770-00-00	STOP SWITCH ASSY.	1	
10	T20-27800-00-00	RIGHT HANDLE SWITCH ASSY.	1	
11	T20-27810-00-00	RIGHT HANDLE SWITCH,1	1	
12	B01-27830-00-00	RIGHT HANDLE SWITCH,2	1	
13	S-3500-05025-02	PAN HEAD SCREW 5X25	1	
14	S-3501-05035-02	PAN HEAD SCREW 5X35	1	
15	B01-27870-00-00	STOP SWITCH ASSY.	1	
16	B01-62263-00-00	RIGHT LEVER	1	
17	B01-27866-00-00	BOLT 6MM	1	
18	S-4002-06000-02	U NUT 6MM	1	
19	B01-45147-00-00	SPRING	1	

F4

FENDER

50CC



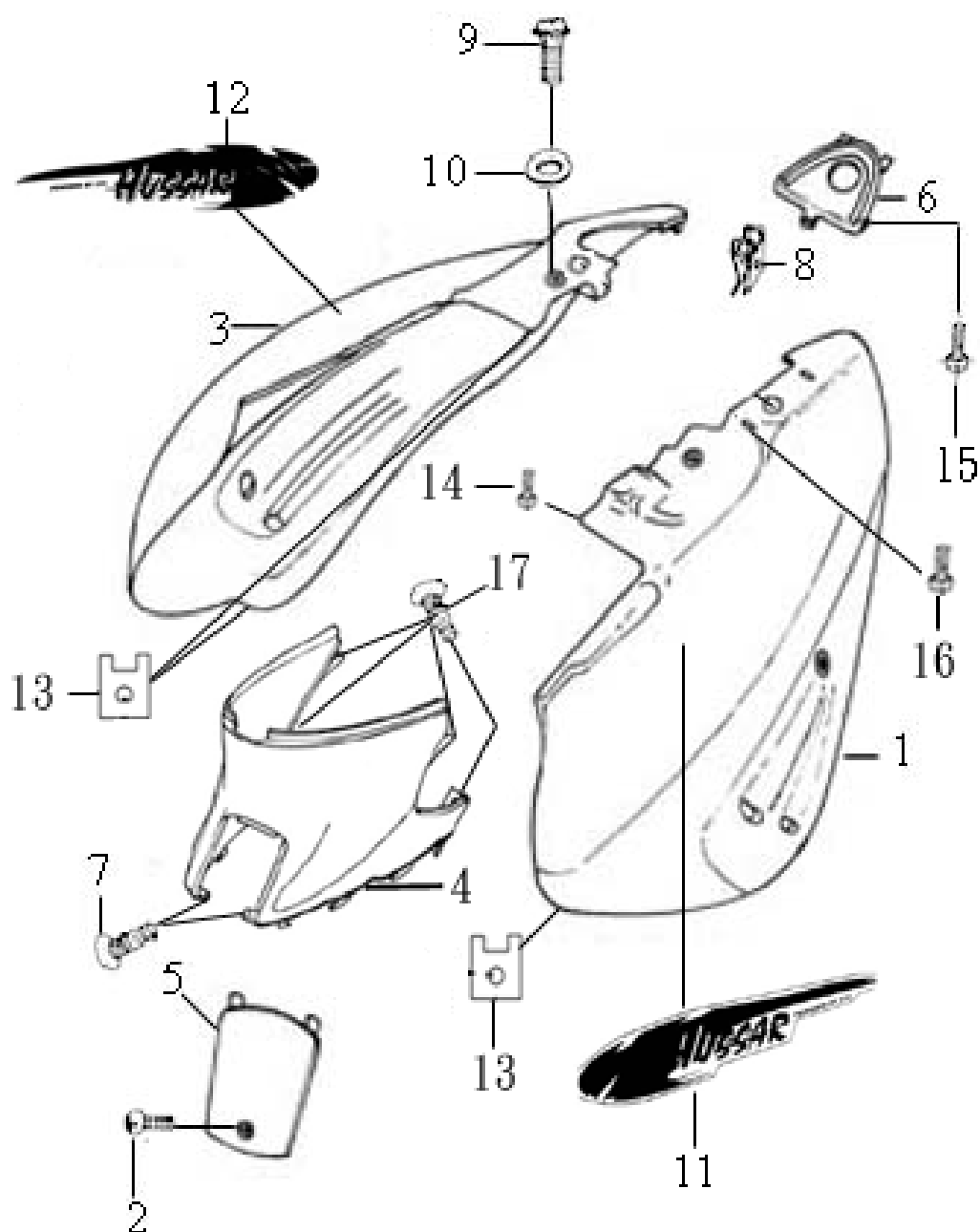
F4***FENDER***

ITEM	PARTS NO.	DESCRIPTION	REQD. NO.	
			50CC	
1	B08-63111-00-00	LEG SMIELD,1	1	
2	S-3541-06016-77	SCREW W/W SAHER 6X16	1	
3	B10-63119-00-00	COVER,1	1	
4	S-3900-05012-04	TAPPING SCREW 4X12	4	
5	B10-25177-00-00	BREAKET	1	
6	B10-25176-00-00	HEAD LIGHT STAP	2	
7	S-3900-04012-04	TAPPING SCREW 4X12	8	
8	B01-63576-00-00	SPRING UNT	2	

F5

SIDE COVER

50CC



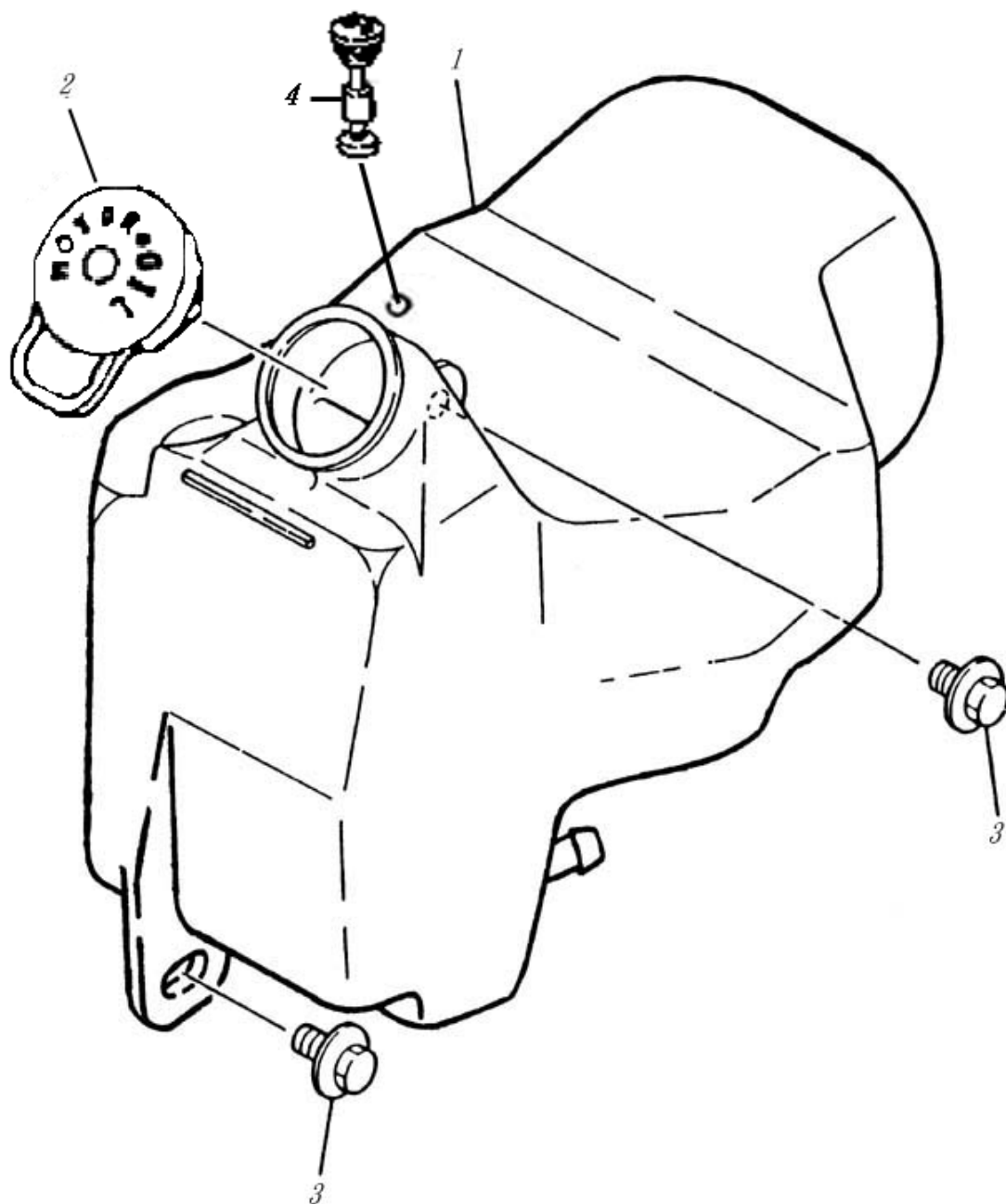
F5***SIDE COVER***

ITEM	PARTS NO.	DESCRIPTION	REQD. NO.	
			50CC	
1	B08-63511-00-60	SIDE COVER,1	1	
2	S-3904-05012-04	TAPPING SCREW 5X12	1	
3	B08-63521-00-00	SIDE COVER,2	1	
4	B08-63531-00-00	SIDE COVER,3	1	
5	B08-63541-00-00	SIDE COVER,4	1	
6	B08-63551-00-00	SIDE COVER,5	1	
7	S-3900-04012-02	TAPPING SCREW 4X12	2	
8	B01-63576-00-00	SPRING NUT 5MM	1	
9	S-3891-06010-01	SCREW W/W ASHER 6X10	2	
10	B05-63578-00-00	SEAT WASHER	2	
11	B08-61172-00-00	STICKER,7	1	
12	B08-61182-00-00	STICKER,8	1	
13	B03-63576-00-00	SPRING NUT 4MM	3	
14	S-3904-04010-04	TAPPING SCREW 4X10	1	
15	S-3904-05012-02	TAPPING SCREW 5X12	1	
16	S-3900-05016-04	TAPPING SCREW 5X16	1	
17	S-3900-04012-04	TAPPING SCREW 4X12	4	

F6

OIL TANK

50CC



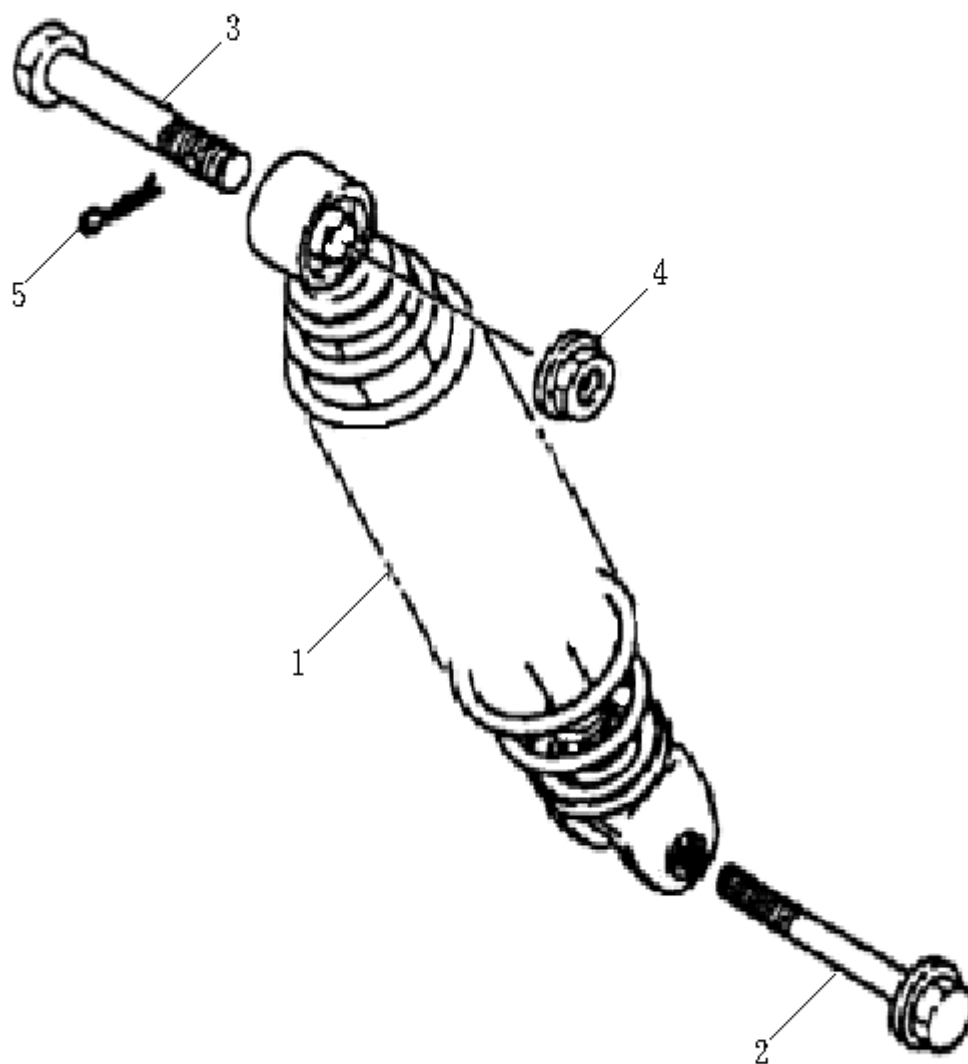
F6***OIL TANK***

ITEM	PARTS NO.	DESCRIPTION	REQD. NO.	
			50CC	
1	B01-53110-00-00	OIL TANK	1	
2	B01-53131-00-00	OIL TANK CAP	1	
3	S-3404-06016-03	BOLT W/WASHER 6X16	2	
4	B01-53510-00-00	OIL LEVER GAUGE ASSY.	1	

F7

REAR SUSPENSION

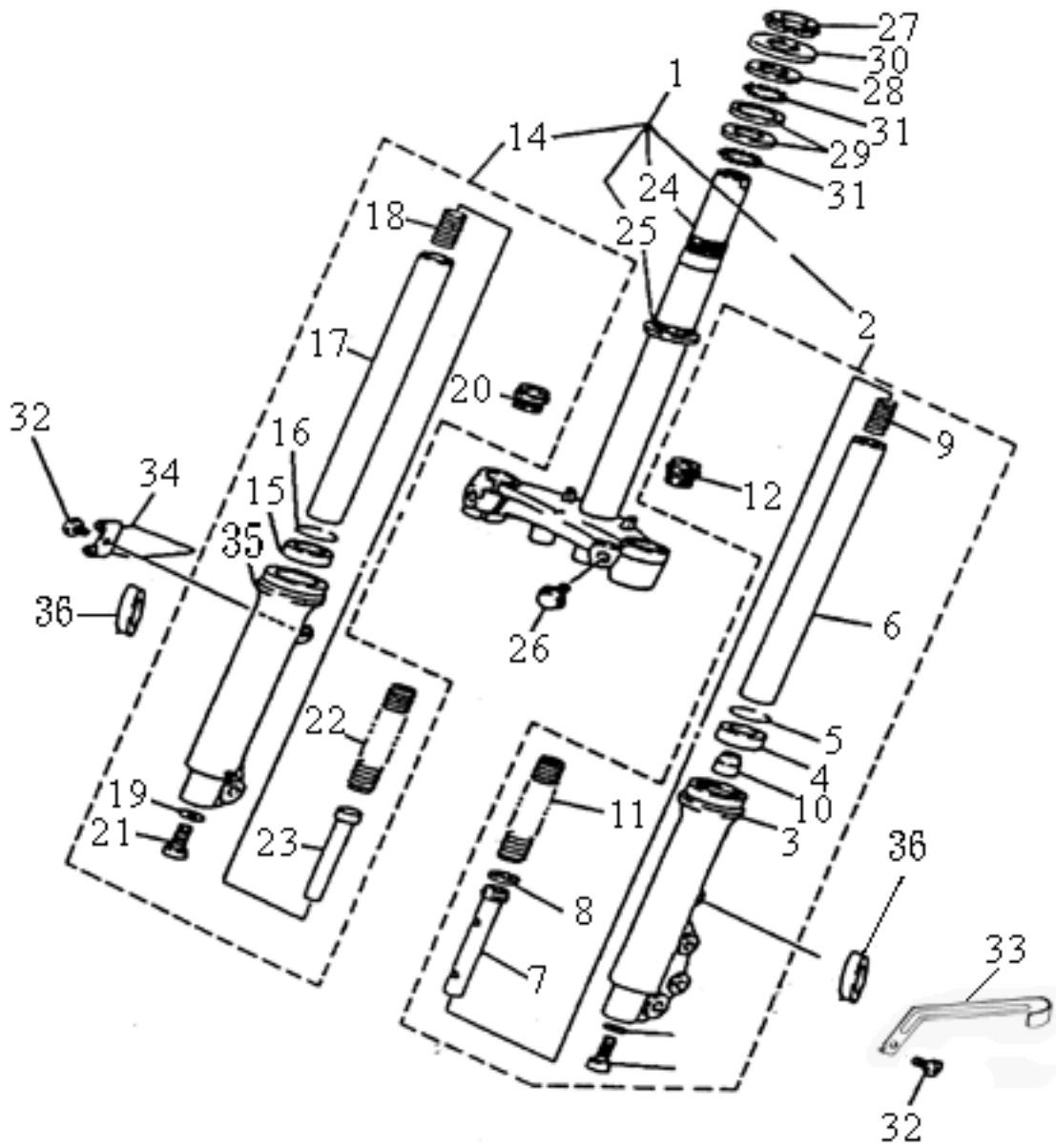
50CC



F7***REAR SUSPENSION***

ITEM	PARTS NO.	DESCRIPTION	REQD. NO.	
			50CC	
1	F02-48210-00-00	RR. SHOCK ABSORBER ASSY.	1	
2	S-5701-08032-04	FLANGE BOLT 8X32	1	
3	S-5827-10040-04	BOLT W/HOLE 10X40	1	
4	S-4060-10000-03	FLANGE NUT 10MM	1	
5	S-4251-12221-00	PIN 1.2X22	1	

F8	FRONT FORK	50CC
-----------	-------------------	-------------

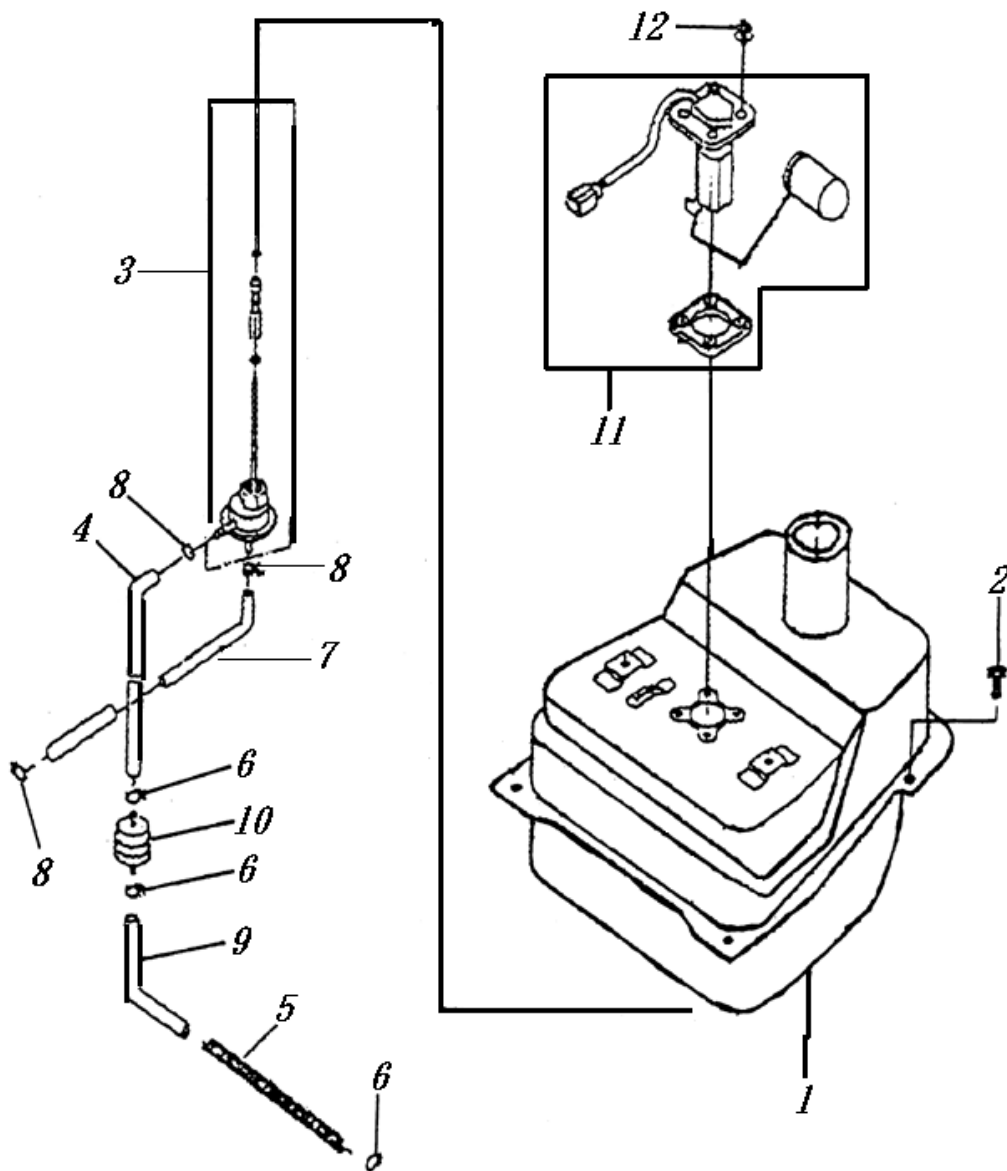


F8

FRONT FORK

ITEM	PARTS NO.	DESCRIPTION	REQD. NO.	
			50CC	
1	B05-47100-00-78	FR. FORK ASSY.	1	
2	B05-47102-00-78	L.H. FR. FORK ASSY.	1	
3	B05-47126-00-00	OUTER TUBE,1	1	
4	B01-47145-00-00	OIL SEAL	1	
5	B05-47156-00-00	CLIP	1	
6	B05-47010-00-00	INNER TUBE COMP.,1	1	
7	B05-47171-00-00	FR. FORK PISTON	1	
8	B05-47157-00-00	PISTON RING	1	
9	B05-47151-00-00	SPRING	1	
10	B05-47173-00-00	TAPER SPINDLE	1	
11	B05-47141-00-00	FR. FORK SPRING	1	
12	B05-47111-00-00	CAP BOLT	1	
13	S-6700-10A01-03	HEX. SOCKET BOLT 10X25	1	
14	B05-47103-00-78	R.H. FR. FORK ASSY.	1	
15	B01-47145-00-00	OIL SEAL	1	
16	B05-47156-00-00	CLIP	1	
17	B05-47120-00-00	INNER TUBE COMP.,2	1	
18	B05-47151-00-00	SPRING	1	
19	B05-47158-00-00	GASKET	1	
20	B05-47111-00-00	CAP BOLT	1	
21	S-6700-10A01-03	HEX. SOCKET BOLT10X25	1	
22	B05-47161-00-00	SPRING	1	
23	B05-47143-00-00	LOWER SPRING SEAT	1	
24	B05-47130-00-00	UNDER BRACKET COMP.	1	
25	B01-47014-00-00	BALL RACE,4	1	
26	S-5820-10030-03	FLANGE BOLT 10X30	2	
27	B01-47042-00-00	NUT	2	
28	B01-47011-00-00	BALL RACE,1	1	
29	B01-47012-00-00	BALL RACE,2	2	
30	B01-47016-00-00	BALL RACE COVER	1	
31	S-6211-17000-00	STEEL BALL 3/16"	44	
32	S-6001-06020-01	FLANGE BOLT 6X20	2	
33	B08-45375-00-00	FR. BRAKE HOSE HOLDER	1	
34	B01-47017-00-00	CABLE HOLDER	1	
35	B05-47136-00-00	OUTER TUBE,2	1	
36	S-4051-06000-13	FLANGE U NUT 6MM	2	

F9	FUEL TANK	50CC
-----------	------------------	-------------

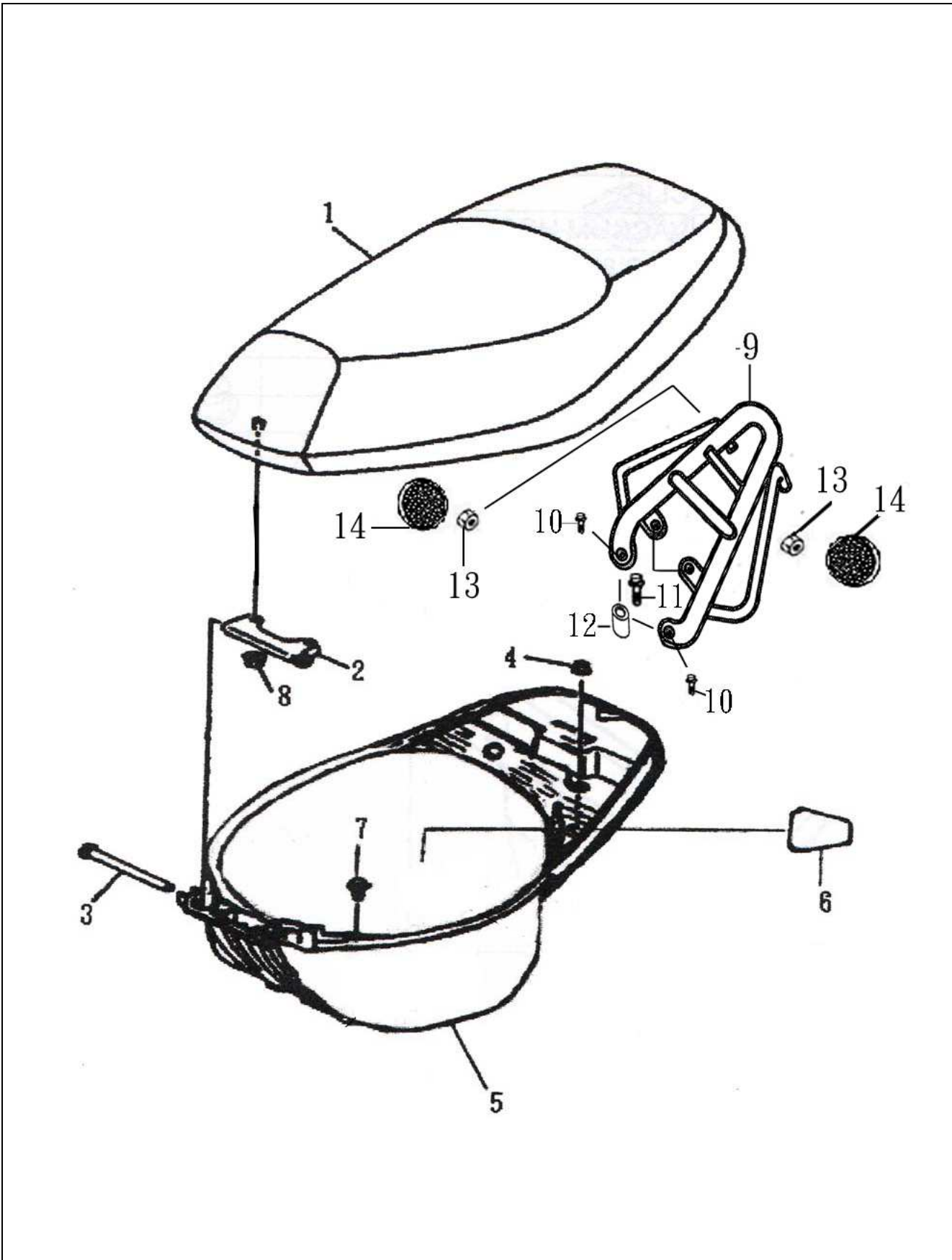


F9

FUEL TANK

ITEM	PARTS NO.	DESCRIPTION	REQD. NO.	
			50CC	
1	B08-52110-00-00	FUEL TANK COMP.	1	
2	S-5800-06012-04	FLANGE BOLT 6X12	4	
3	B05-52310-00-00	FUEL COCK ASSY.	1	
4	B05-52371-00-00	FUEL HOSE,1	1	
5	B01-52381-00-00	SPRING	1	
6	A-4202-12900-00	CLIP	1	
7	B05-52377-00-00	VACCUM HOSE,1	1	
8	A-4202-0808-00	CLIP 8MM	5	
9	B05-52372-00-00	FUEL HOSE,2	1	
10	T01-52410-00-00	FUEL FILTER ASSY	1	
11	B05-52511-00-00	SENDER UNIT	1	
12	B05-52551-00-00	GASKET	1	
13	B05-52510-00-00	SENDER UNIT ASSY.	1	
14	S-3401-05014-04	BOLT W/WASHET 5X14	4	

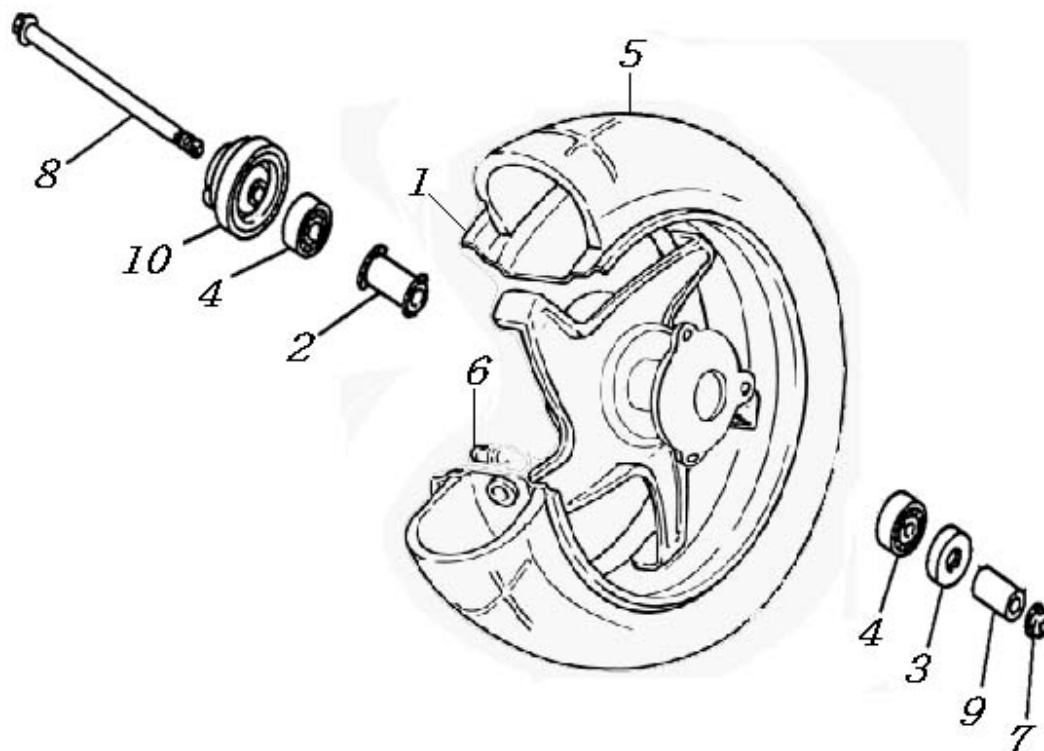
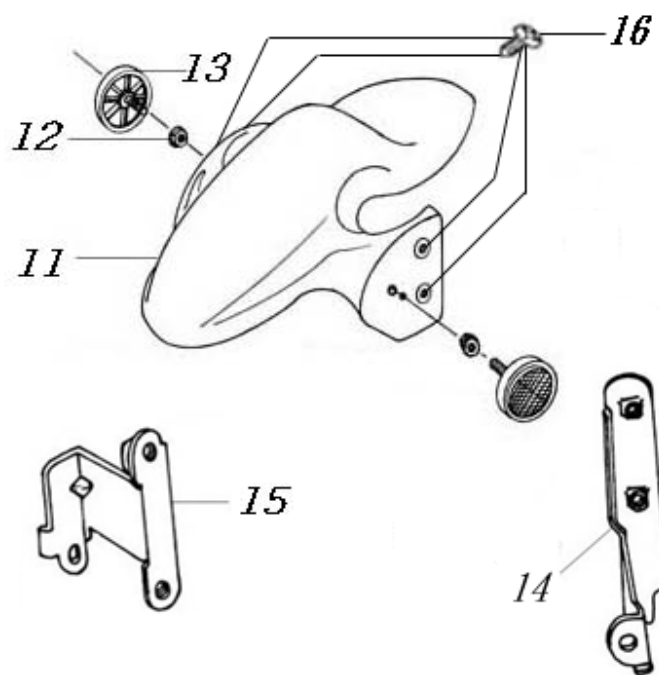
F10	SEAT	50CC
------------	-------------	-------------



F10 ***SEAT***

ITEM	PARTS NO.	DESCRIPTION	REQD. NO.	
			50CC	
1	B08-66111-00-73	DOUBLE SEAT ASSY.	1	
2	B05-66210-00-00	SEAT HINGE	1	
3	B05-66215-00-00	BOLT	1	
4	B01-66177-00-00	BOLT 6MM	2	
5	B05-68111-00-00	LUGGAGE BOX	1	
6	B05-68122-00-00	DAMPER	3	
7	S-5800-06020-01	FLANGE BOLT 6X20	2	
8	S-4050-06000-01	FLANGE NUT 6MM	2	
9	T27-67511-00-9B	RR. GRIP	1	
10	S-5701-06035-07	FLANGE BOLT 6X35	2	
11	S-5800-08016-07	FLANGE BOLT 8X16	2	
12	B10-42132-00-00	COLLAR	2	
13	S-4050-05000-01	FLANGE NUT 5MM	2	
14	T01-25845-00-00	SIDE REFLEX REFLBCTOR	2	

F11	FRONT WHEEL	50CC
------------	--------------------	-------------

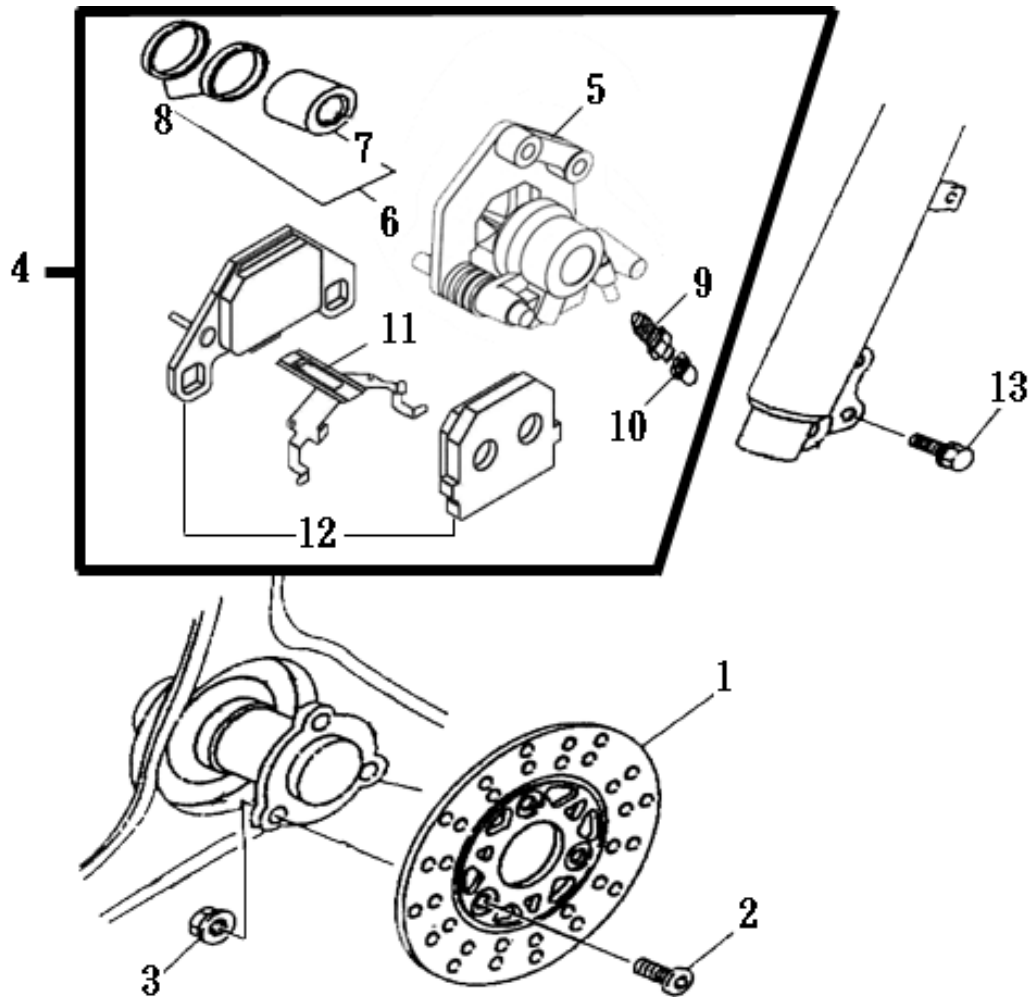


F11

FRONT WHEEL

ITEM	PARTS NO.	DESCRIPTION	REQD. NO.	
			50CC	
1	F02-43210-00-78	WHEEL COMP3.5X12".	1	
2	B05-43264-00-00	DISTANCE COLLAR COMP	1	
3	S-1201-22035-70	OIL SEAL 22X35X7	1	
4	S-6120-06201-10	BALL BEARING 6201Z	2	
5	F03-43311-00-00	TIRE 120/70-12 (E MARK)	1	
6	B01-43322-00-00	RIM VALVE	1	
7	S-4061-12000-03	FLANGE U NUT 12m/m	1	
8	B05-43511-00-00	FR. WHEEL AXLE	1	
9	B05-43273-00-00	COLLAR	1	
10	B05-45510-00-00	SPEEDOMETER GEAR COMP.	1	
11	B08-64111-00-78	FRONT FENDER	1	
12	S-4050-06000-04	FLANGE NGT	2	
13	B08-25845-00-00	SIDE REFLEX REFLECTOR	2	
14	B08-64183-00-00	FORNT FENDER BARCKET,1	1	
15	B08-64193-00-00	FORNT FENDER BARCKET,2	1	
16	S-3541-06016-77	SCREW W/WASHER 6X16	4	

F12	FRONT BRAKE CALIPER	50CC
------------	----------------------------	-------------

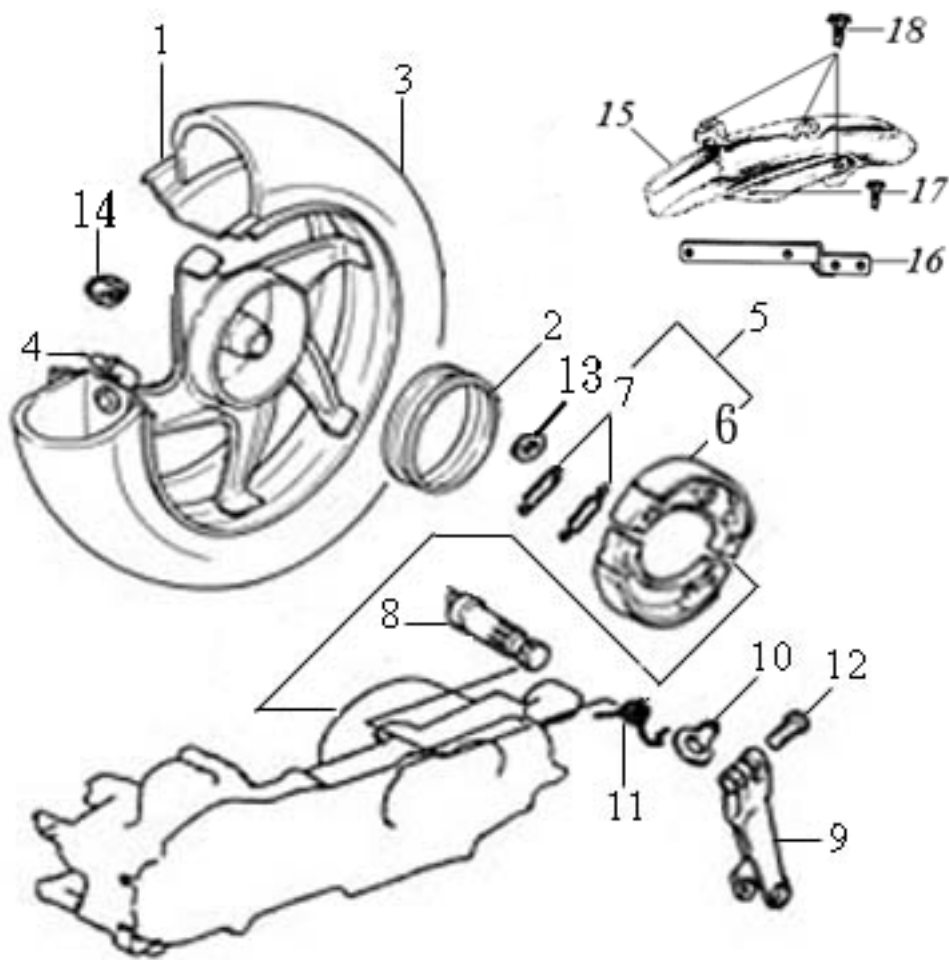


F12

FRONT BRAKE CALIPER

ITEM	PARTS NO.	DESCRIPTION	REQD. NO.	
			50CC	
1	B08-45251-00-00	BRAKE DISC	1	
2	B01-45276-00-00	BOLT	3	
3	S-4060-10000-03	FLANGE NUT 10MM	3	
4	B08-45200-00-00	CALIPER ASSY.	1	
5	B08-45211-00-00	CALIPER BODY	1	
6	B08-45210-00-00	CALIPER PISTON ASSY.	1	
7	B08-45212-00-00	CALIPER PISTON	1	
8	B08-45214-00-00	CALIPER SEAL KIT	1	
9	B08-45241-00-00	BREED SCREW	1	
10	B08-45242-00-00	BREED SCREW CAP	1	
11	B08-45223-00-00	PAD SUPPORT,1	1	
12	B08-45230-00-00	BRAKE PAD KIT	1	
13	S-5801-08035-03	FLANGE BOLT 8X35	2	

F13	REAR WHEEL	50CC
------------	-------------------	-------------

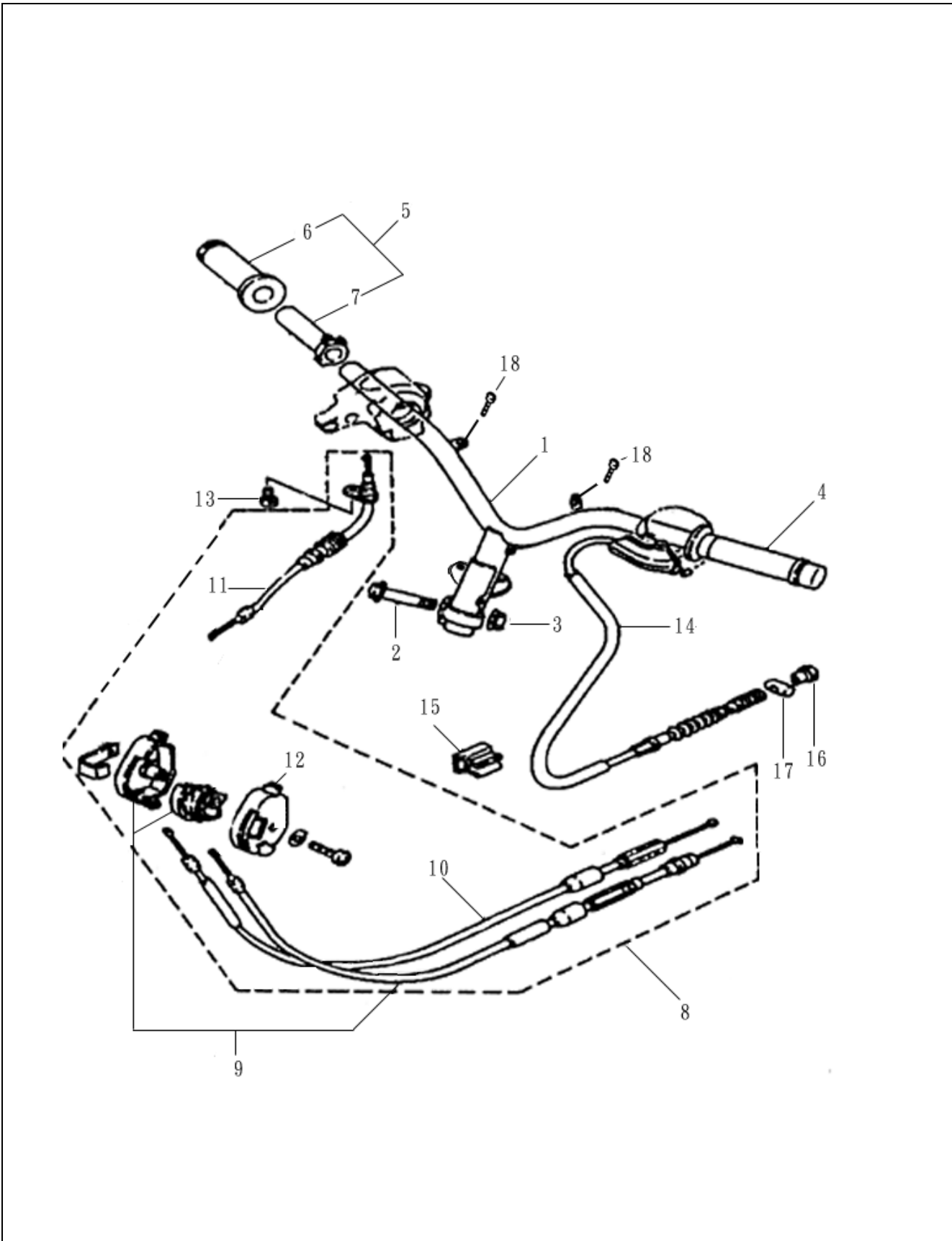


F13

REAR WHEEL

ITEM	PARTS NO.	DESCRIPTION	REQD. NO.	
			50CC	
1	F03-44210-00-78	WHEEL COMP 3.5X12".	1	
2	T08-43249-00-00	RING,1	1	
3	F03-44311-00-00	TIRE 130/70-12 (E MARK)	1	
4	B01-43322-00-00	RIM VALVE	1	
5	T01-46420-00-00	BRAKE SHOE KIT (NONASBESTOS)	1	
6	T01-46421-00-00	BRAKE SHOE (NONASBESTOS)	1	
7	B01-46461-00-00	SPRING	2	
8	B05-46621-00-00	CAM SHAFT,2	1	
9	B05-46611-00-00	CAM SHAFT LEVER,2	1	
10	B01-46631-00-00	INDICATOR PLATE	1	
11	B05-46635-00-00	TENSION SPRING	1	
12	S-2201-06030-04	HEX. BOLT 6X30	1	
13	S-4101-20273-20	PLATE WASHER 20X27X1	1	
14	S-4061-16000-01	UNUT 16MM	1	
15	B05-64211-00-00	REAR FENDER	1	
16	B05-64261-00-00	REAR FENDER BRACKET	1	
17	S-5800-06012-04	FLANGE BOLT 6X12	1	
18	S-5800-06018-04	FLANGE BOLT 6X18	3	

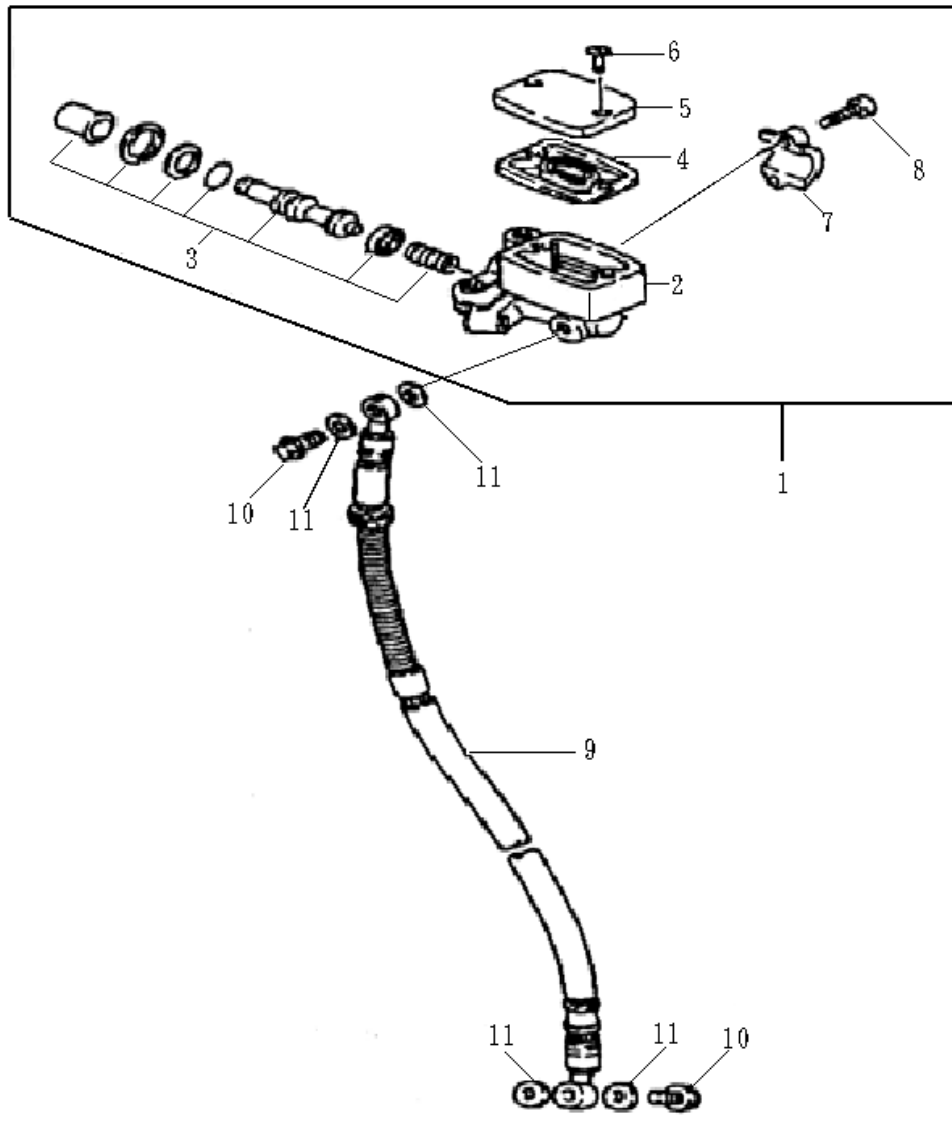
F14	CABLE STEERING HANDLE	50CC
------------	----------------------------------	-------------



F14 **CABLE / STEERING HANDLE**

ITEM	PARTS NO.	DESCRIPTION	REQD. NO.	
			50CC	
1	B08-62110-00-00	HANDLE COMP.	1	
2	S-5821-10045-03	FLANGE BOLT 10X45	1	
3	S-4061-10000-03	U NUT 10MM	1	
4	B05-62231-00-00	L.H. GRIP	1	
5	B05-62240-00-00	R.H. GRIP ASSY.	1	
6	B05-62241-00-00	R.H. GRIP	1	
7	B05-62242-00-00	THROTTLE GUIDE TUBE	1	
8	B08-58410-00-00	THROTTLE CABLE ASSY.	1	
9	B01-58460-00-00	THROTTLE & PUMP CABLE ASSY.	1	
10	B01-58411-00-00	THROTTLE CABLE,1	1	
11	B01-58412-00-00	THROTTLE CABLE,2	1	
12	B01-58421-00-00	CABLE PUMP	1	
13	S-3500-05010-02	PAN HEAD SCREW 5X10	1	
14	B05-58210-30-00	BRAKE CABLE	1	
15	B01-58293-00-00	HOLDER	1	
16	B01-58264-00-00	NUT	1	
17	B01-58274-00-00	PIN	1	
18	S-3900-04014-02	TAPPING SCREW 4X14	2	

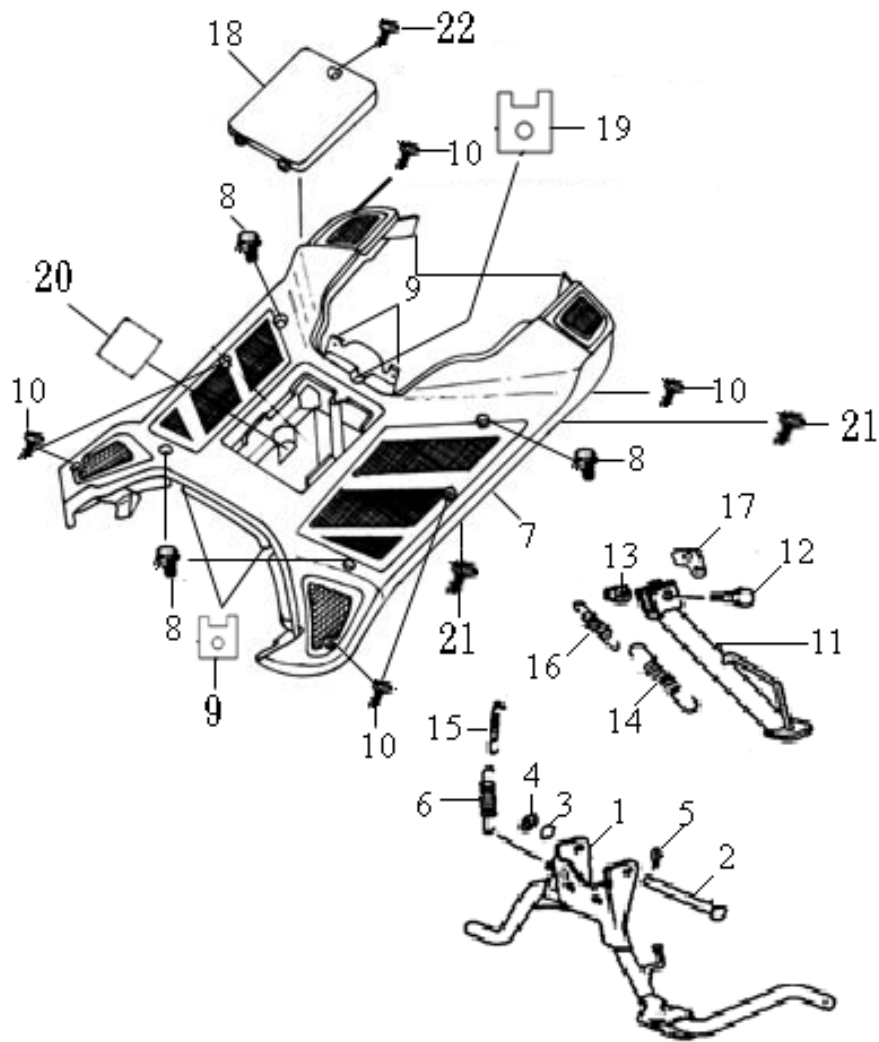
F15	FRONT MASTER CALIPER	50CC
------------	-----------------------------	-------------



F15 FRONT MASTER CALIPER

ITEM	PARTS NO.	DESCRIPTION	REQD. NO.	
			50CC	
1	B01-45100-00-00	MASTER CYLINDER ASSY.	1	
2	B01-45111-00-00	MASTER CYLINDER BODY	1	
3	B01-45120-00-00	PISTON ASSY.	1	
4	B01-45114-00-00	RESERVOIR DIAPHRAGM	1	
5	B01-45112-00-00	RESERVOIR CAP	1	
6	S-3600-04012-02	FLAT HEAD SCREW 4X12	2	
7	B01-45167-00-00	MASTER CYLINDER BRACKET	1	
8	S-6700-06025-01	SOCKET BOLT 6X25	2	
9	B05-45310-00-00	FR. BRAKE HOSE	1	
10	B01-45185-00-00	UNION BOLT	2	
11	S-4101-10143-50	PLATE WASHER 10MM	4	

F16	STAND FOOTREST	50CC
------------	---------------------------	-------------

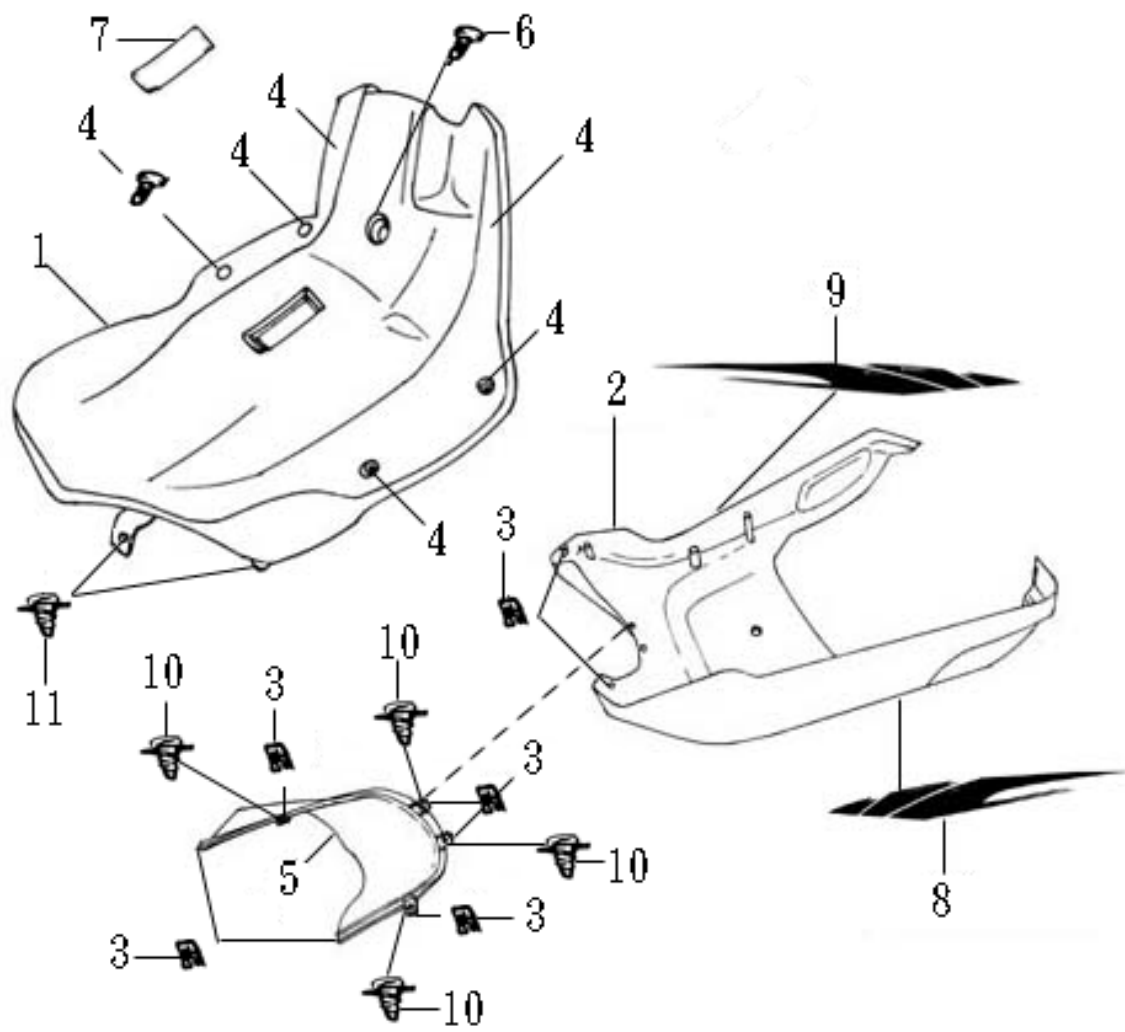


F16

STAND / FOOTREST

ITEM	PARTS NO.	DESCRIPTION	REQD. NO.	
			50CC	
1	B05-49110-20-00	MAIN STAND COMP.	1	
2	B01-49171-00-00	PIN	1	
3	S-1301-19100-00	O-RING 10X1.9	1	
4	B01-49178-00-00	PLATE WASHER	1	
5	S-4251-12221-00	PIN 1.2X22	1	
6	B01-49155-00-00	TENSION SPRING	1	
7	B08-63411-00-00	FLOOR	1	
8	S-3414-06020-04	BOLT W/WASHER 6X20	4	
9	B03-63576-00-00	SPRING NUT 4MM	6	
10	S-3900-05016-04	TAPPING SCREW 5X16	6	
11	B05-49210-00-00	SIDE STAND COMP.	1	
12	T01-49261-00-00	BOLT	1	
13	S-4002-08000-03	U NUT 8MM	1	
14	B01-49255-00-00	TENSION SPRING	1	
15	T01-49156-00-00	TENSION SPRING,2	1	
16	T01-49256-00-00	TENSION SPRING,2	1	
17	B05-49258-00-00	HOOK	1	
18	B08-23433-00-00	BATTERY COVER	1	
19	B01-63576-00-00	SPRING NUT 4MM	1	
20	B10-23453-00-00	DAMDER	1	
21	S-3454-05016-02	BOLT W/WASHER 5X16	4	
22	S-3900-04012-02	TAPPUNG SCREW 4X12	1	

F17	LEG SHIELD	50CC
------------	-------------------	-------------

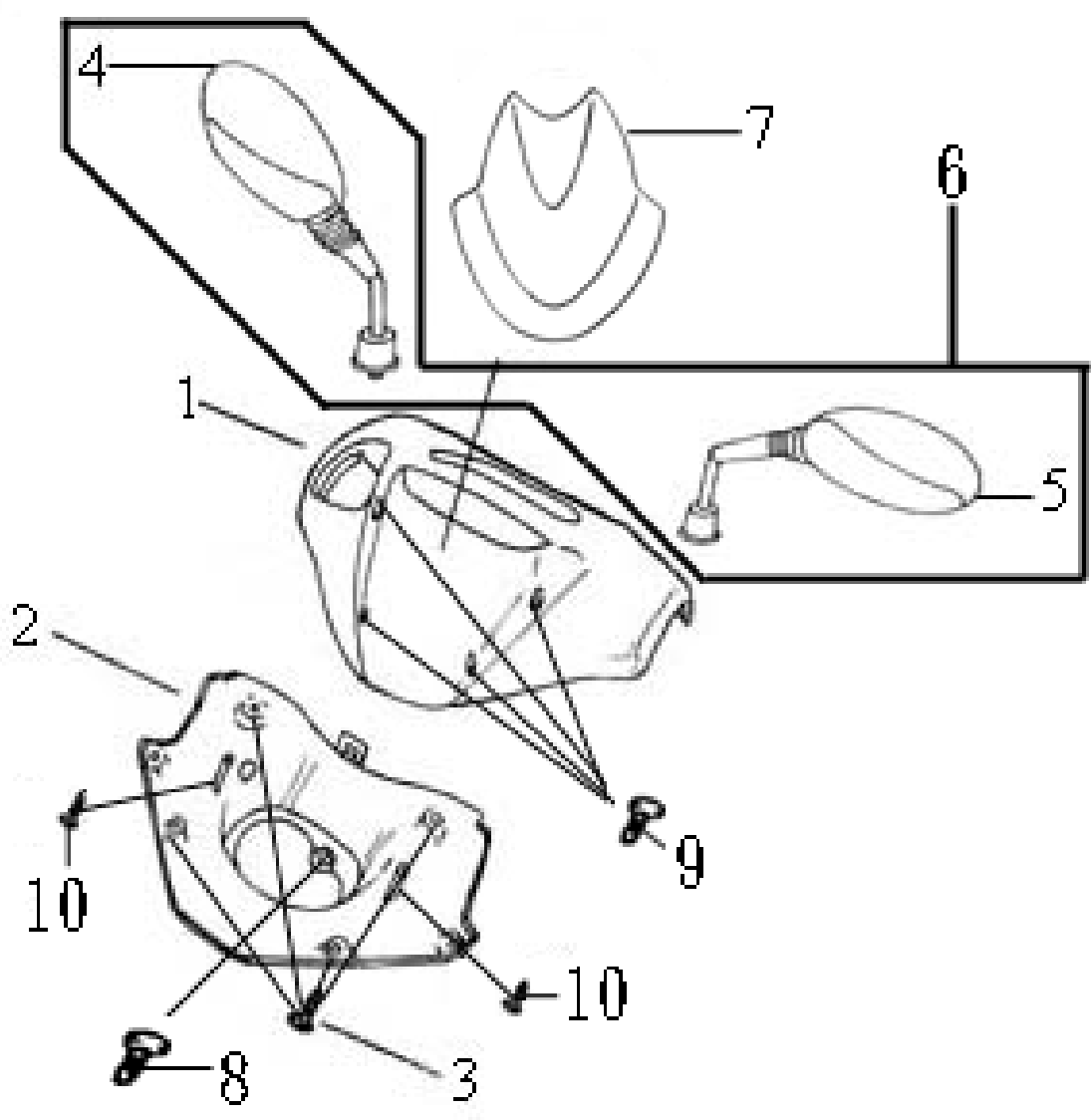


F17

LEG SHIELD

ITEM	PARTS NO.	DESCRIPTION	REQD. NO.	
			50CC	
1	B08-63121-00-00	LEG SHIELD,2	1	
2	B08-63141-00-00	UNDER COVER	1	
3	B03-63576-00-00	SPRING NVT 4MM	8	
4	S-3900-05016-04	TAPPING SCREW 5X16	6	
5	B08-64115-00-00	INNER FENDER,1	1	
6	B08-66177-00-00	BOLT 6MM	1	
7	B05-63161-00-00	INSPECT COVER	1	
8	B08-61151-00-00	STICKER,5	1	
9	B08-61161-00-00	STICKER,6	1	
10	S-3900-04012-02	TAPPING SCREW 4X12	4	
11	S-3900-04012-04	TAPPING SCREW 4X12	2	

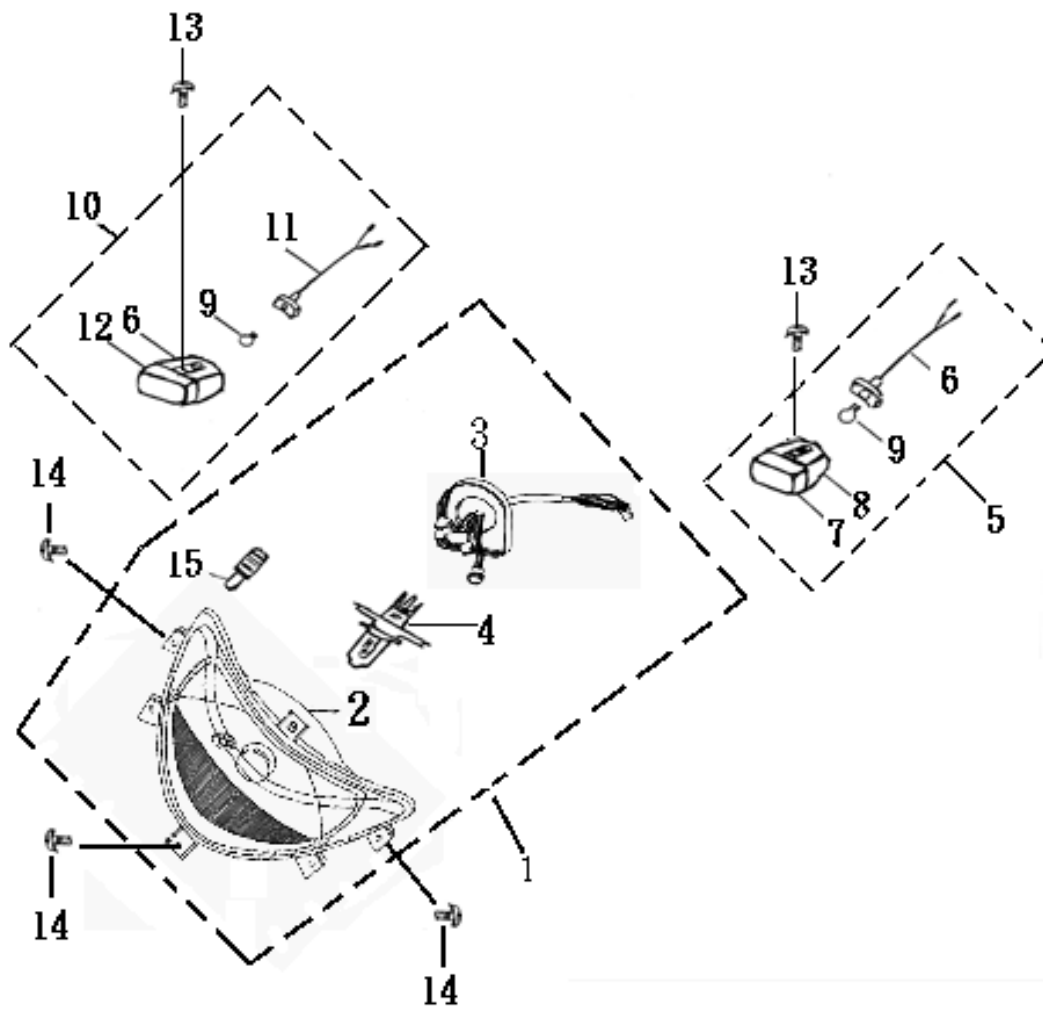
F18	COWLING	50CC
------------	----------------	-------------



F18 **COWLING**

ITEM	PARTS NO.	DESCRIPTION	REQD. NO.	
			50CC	
1	B08-62311-00-00	HANDLE COVER,1.	1	
2	B08-62321-00-00	HANDLE COVER,2	1	
3	S-3900-05012-04	TAPPING SCREW 5X12	4	
4	B08-62720-00-00	REAR VIEW MIRROR ASSY.,2	1	
5	B08-62710-00-00	REAR VIEW MIRROR ASSY.,1	1	
6	B08-62700-00-00	REAR VIEW MIRROR ASSY.	1	
7	B10-62316-00-00	METER VISOR ASSY.	1	
8	S-3894-05012-04	SCREW W/WASHER 5X12	1	
9	S-3900-03010-02	TAPPING SCREW 3X10	4	
10	S-3900-04014-02	TAPPING SCREW 4X14	2	

F19	HEAD LIGHT	50CC
------------	-------------------	-------------

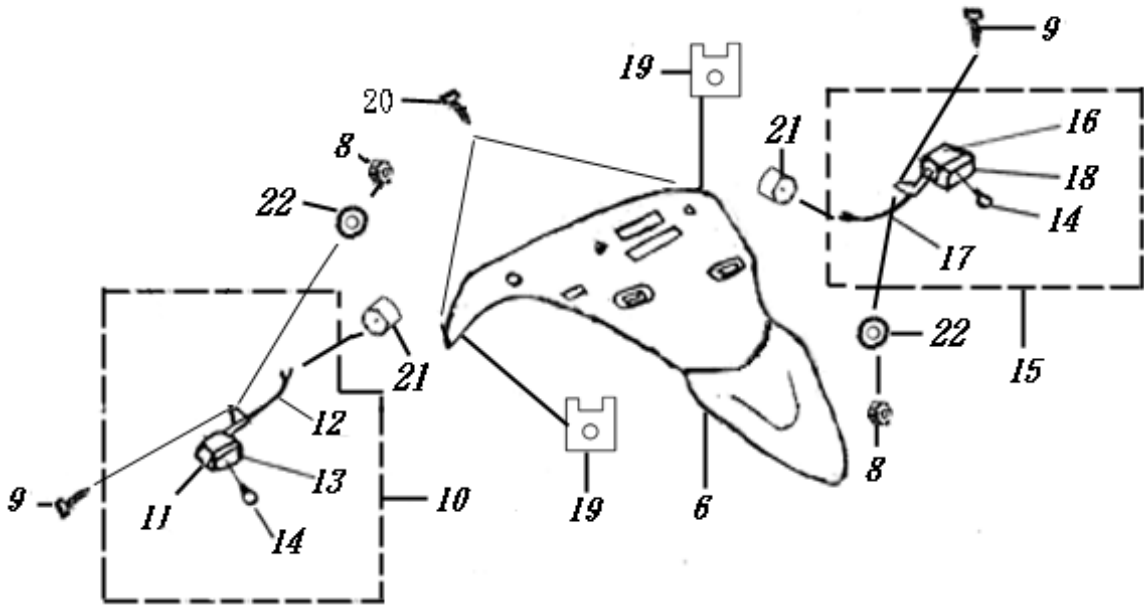
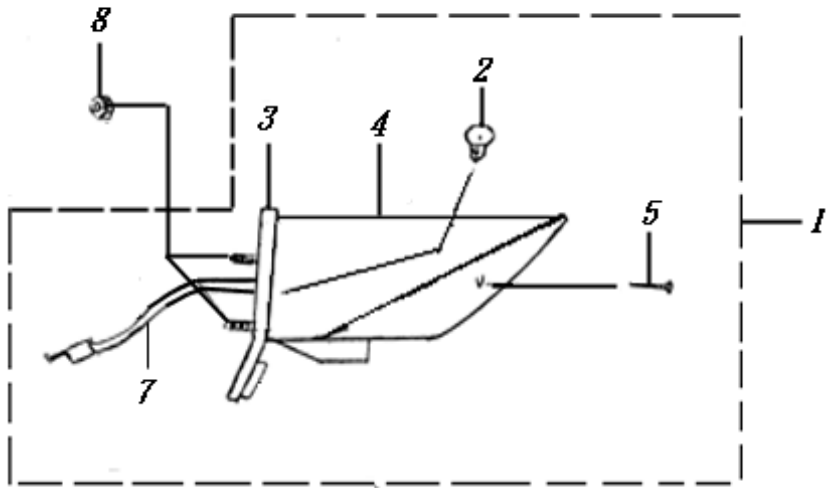


F19

HEAD LIGHT

ITEM	PARTS NO.	DESCRIPTION	REQD. NO.	
			50CC	
1	T31-25100-00-00	HEAD LIGHT ASSY.(DOT MARK)	1	
2	T31-25110-00-00	SHEEL ASSY.	1	
3	T31-25160-00-00	SOCKET CORD ASSY.	1	
4	B08-25151-00-00	HEAD LIGHT DIPPRD BOLB 12V-35W	1	
5	T31-25620-00-00	FLASHER LIGHT ASSY.,1 (DOT MARK)	1	
6	B08-25621-00-00	FLASHER SOCKET CORD ASSY.,1	1	
7	T31-25622-00-00	FLASHER LENS,1	1	
8	T31-25623-00-00	FLASHER BASE,1	2	
9	T31-25686-00-00	BULB 12V-21W (DOT MARK)	2	
10	T31-25630-00-00	FLASHER LIGHT ASSY.,2 (DOT MARK)	1	
11	B08-25631-00-00	FLASHER SOCKET CORD ASSY.,2	1	
12	T31-25632-00-00	FLASHER LENS,2	1	
13	S-3454-05016-02	BOLT W/W ASHER 5X16	2	
14	S-3900-05012-02	TAPPING SCREW 5X12	3	
15	B05-25351-00-00	BULB 12V-5W	1	
16	B08-25154-00-00	HEAD LIGHT HIGH BEAM BULB 12V-5W	1	

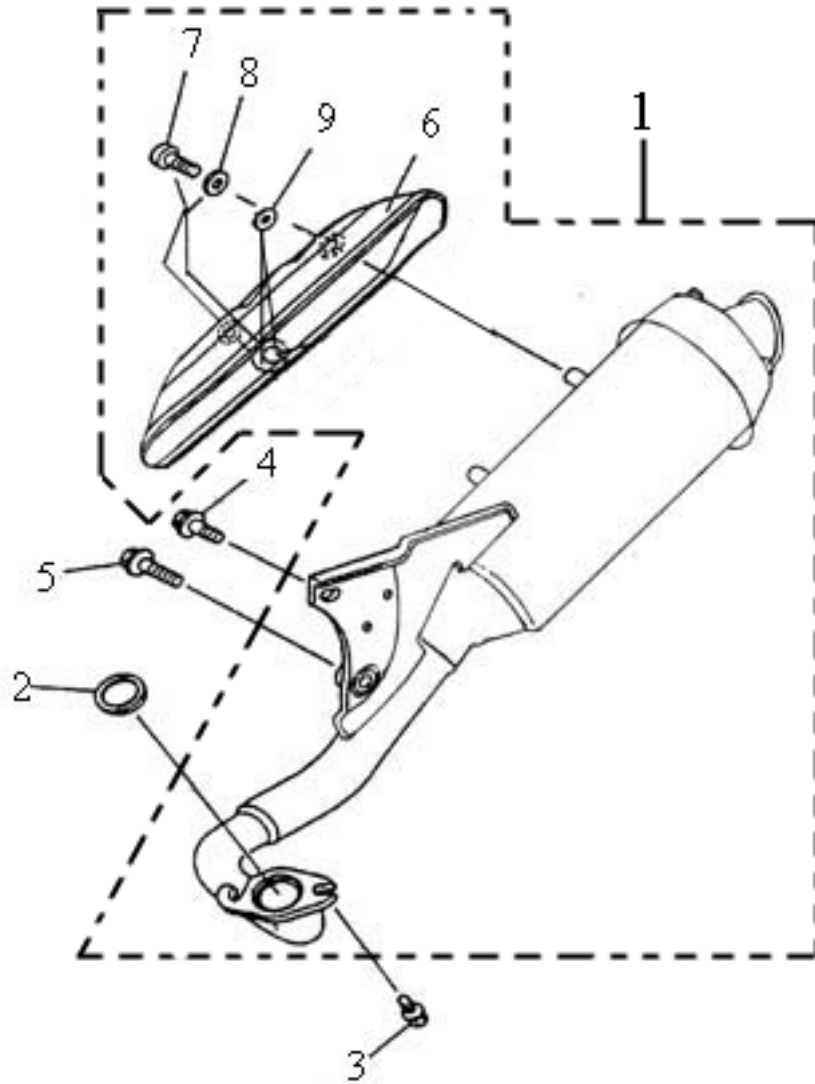
F20	TAIL LIGHT	50CC
------------	-------------------	-------------



F20 **TAIL LIGHT**

ITEM	PARTS NO.	DESCRIPTION	REQD. NO.	
			50CC	
1	B05-25400-00-00	TAIL LIGHT ASSY.	1	
2	B05-25451-00-00	BULB 12V-18/5W	1	
3	B05-25411-00-00	TAIL LIGHT BASE	1	
4	B05-25412-00-00	TAIL LIGHT LENS	1	
5	S-3910-04022-03	TAPPING SCREW 4X20	2	
6	B05-64251-00-00	LICENSE BRACKET	1	
7	B05-25427-00-00	RR.REFLELTOR (E MARK)	1	
8	S-4060-10000-01	FCANGE U NOT 10MM	2	
9	S-3891-06020-04	SCREW W/W ASMER 6X20	2	
10	T31-25640-00-00	FLASHER LIGHT ASSY.,3 (DOT MARK)	1	
11	T31-25643-00-00	FLASHER BASE.3	1	
12	B08-25641-00-00	FLASHER SOCKER CORD ASSY.3	1	
13	T31-25642-00-00	FLASHER LENS.3	1	
14	T31-25686-00-00	BULB 12V-10W (DOTMARK)	2	
15	T31-25650-00-00	FLASHER LIGHT A&Y.,4 (DOT MARK)	1	
16	T31-25653-00-00	FLASHER BASE.4	1	
17	B08-25651-00-00	FLASHER SOCKETCORD ASSY.4	1	
18	T31-25652-00-00	FLASHER LENS,4	1	
19	B01-63576-00-00	SPRING NUT 5MM	2	
20	S-3900-05012-04	TAPPING SCREW 5X12	2	
21	B08-25646-00-00	DAMPER,1	2	
22	S-4101-10224-21	PLATE WASHER 10NN	2	

F21	EXHAUST	50CC
------------	----------------	-------------



F21

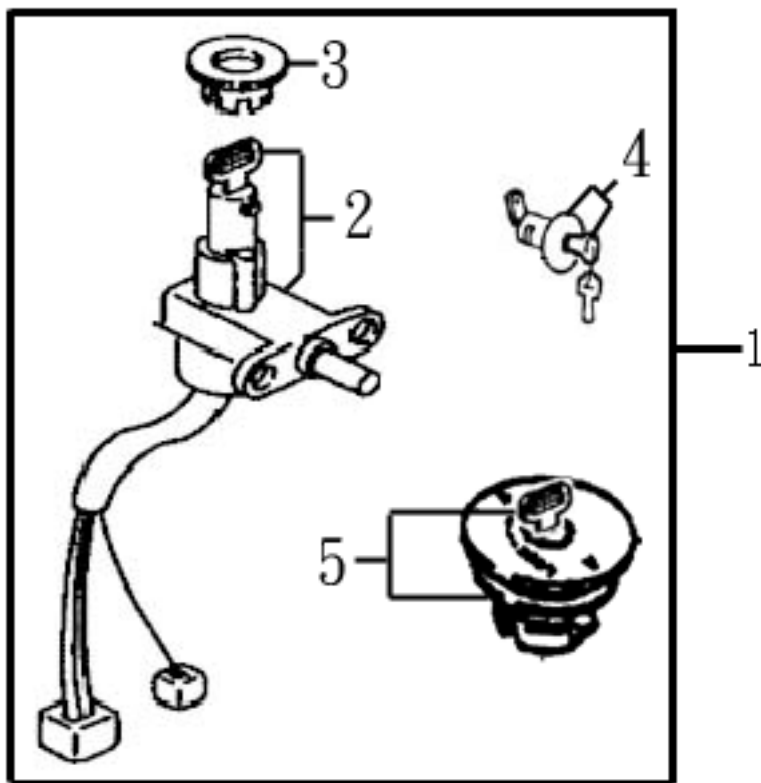
EXHAUST

ITEM	PARTS NO.	DESCRIPTION	REQD. NO.	
			50CC	
1	T09-18200-00-00	EXHAUST PIPE COMP.	1	
2	T01-18131-00-00	EXHAUST PIPE GASKET	1	
3	S-5810-06018-03	FLANGE BOLT 6X18	2	
4	S-5800-08020-02	FLANGE BOLT 8X20	1	
5	S-5800-08030-02	FLANGE BOLT 8X30	1	
6	B08-18111-00-00	MUFFLER PROTECTOR	1	
7	S-6000-06012-70	FLANGE BOLT 6X12	3	
8	S-4101-06083-70	PLATE WASHER 6MM	3	
9	S-4101-06084-90	PLATE WASHER 6MM	3	

F22

SWITCH ASSY.

50CC



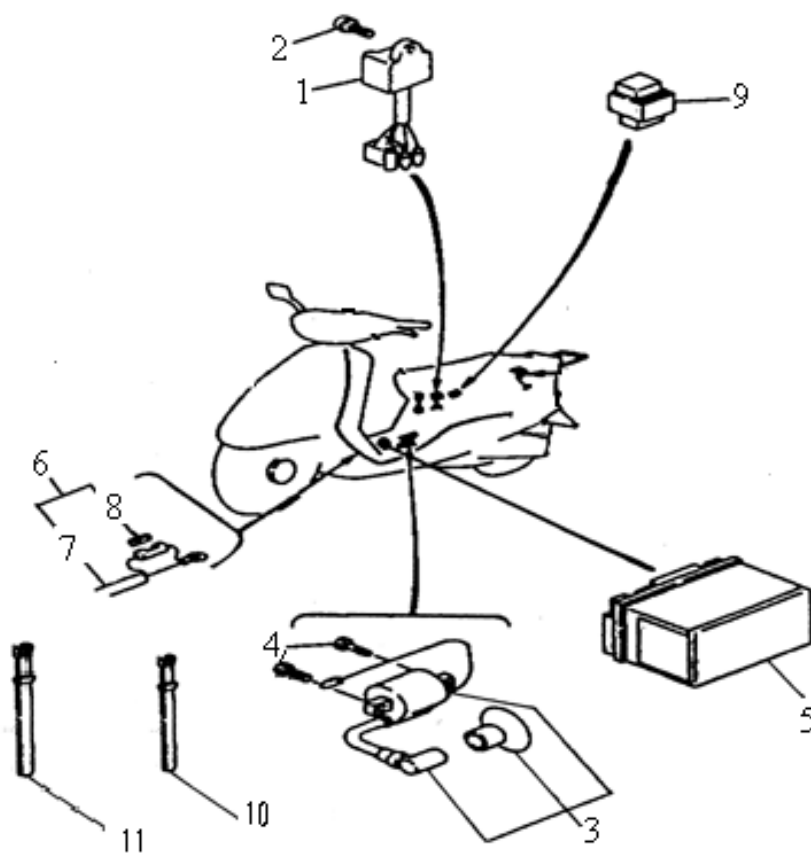
F22***SWITCH ASSY.***

ITEM	PARTS NO.	DESCRIPTION	REQD. NO.	
			50CC	
1	F03-56200-00-00	KEY SET	1	
2	<i>B08-56201-00-00</i>	<i>MAIN SWITCH SET</i>	<i>1</i>	
3	<i>B01-56251-00-00</i>	<i>MAIN SWITCH CAP</i>	<i>1</i>	
4	<i>B08-56501-00-00</i>	<i>SET LOCK SET</i>	<i>1</i>	
5	<i>F02-56601-00-00</i>	<i>FUEL TANK LOCK SET</i>	<i>1</i>	

F23

ELECTRICAL 1

50CC



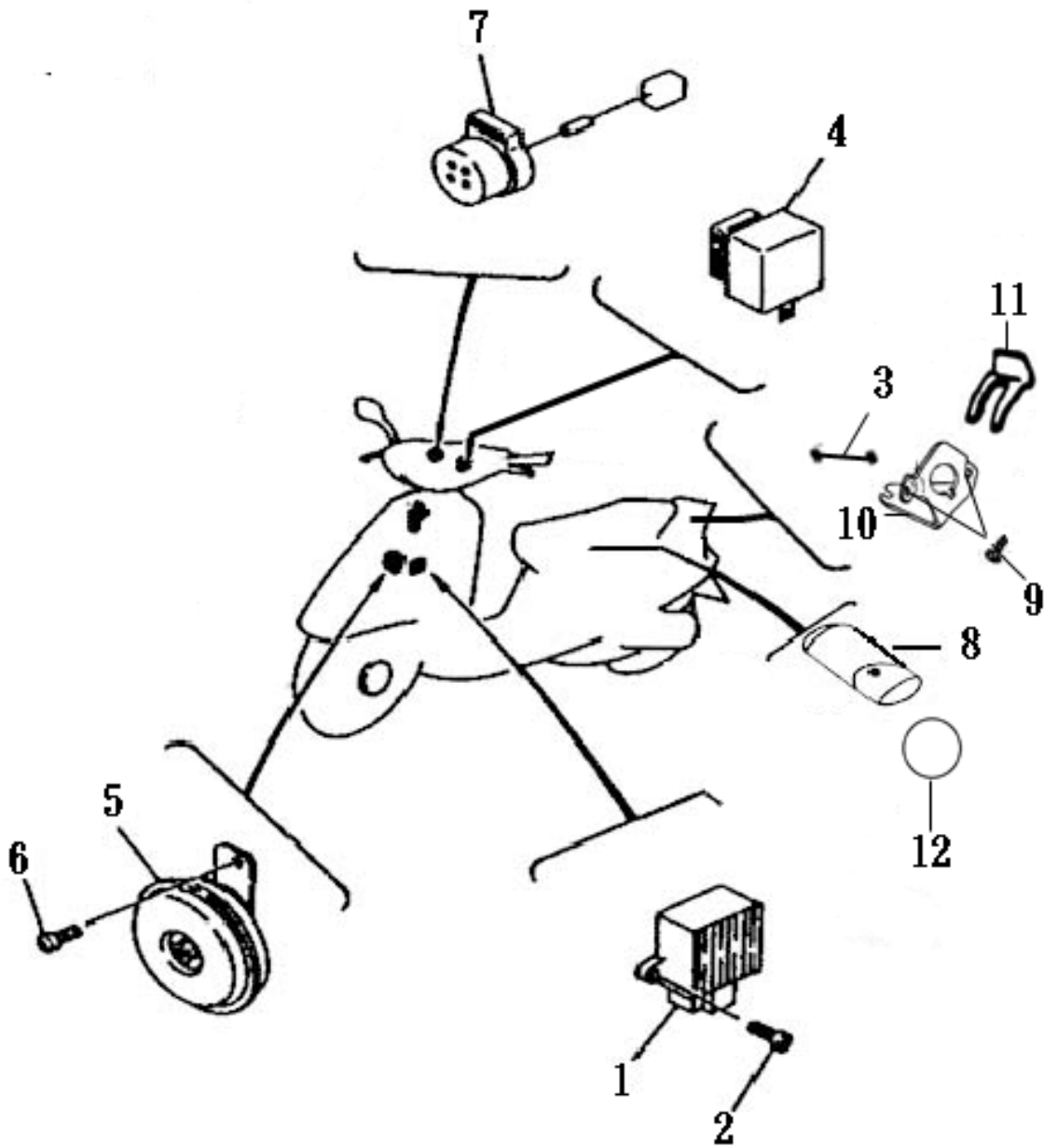
F23***ELECTRICAL 1***

ITEM	PARTS NO.	DESCRIPTION	REQD. NO.	
			50CC	
1	61A-23110-00-00	C.D.I. UNIT COMP.	1	
2	S-3891-06020-04	SCREW W/WASHER 6X20	1	
3	61B-23140-00-00	IGNITION COIL ASSY.	1	
4	S-2000-06016-02	HEX. BOLT 6X16	2	
5	F01-23410-00-00	BATTERY ASSY.	1	
6	T25-23610-00-00	WIRE HARNESS ASSY.	1	
7	T25-23611-00-00	WIRE HARNESS	2	
8	B01-23657-00-00	FUSE 7A	1	
9	61A-28310-00-00	STARTER RELAY COMP.	1	
10	A-4404-02001-01	BAND 200MM	1	
11	A-4402-02502-01	BAND 250MM	1	

F24

ELECTRICAL 2

50CC



F24**ELECTRICAL 2**

ITEM	PARTS NO.	DESCRIPTION	REQD. NO.	
			50CC	
1	F02-21310-00-00	REGULATOR COMP.	1	
2	S-3500-05012-03	PAN HEAD SCREW 5X12	2	
3	B08-56536-00-00	CABLE	1	
4	B01-28110-00-00	FLASHER RELAY COMP.	1	
5	B08-28210-00-00	HORN (E MARK)	1	
6	S-5800-06012-04	PAN HEAD SCREW 6X12	1	
7	B01-28130-00-00	AUDIO PILOT COMP.	1	
8	F01-71110-00-00	TOOL KIT	1	
9	S-3915-04008-01	TAPPING SCREW 4X8	2	
10	B03-56521-00-00	SEAT LOCK SWITCH STAY	1	
11	B03-56522-00-00	SETTING SPRING	1	
12	S-1305-31844-00	O-RING ϕ 84.4X3.1	1	

MEMO...

